

US00D570595S

(12) **United States Design Patent**
Chue

(10) **Patent No.:** **US D570,595 S**

(45) **Date of Patent:** **** Jun. 10, 2008**

(54) **PILL BOX**

(75) Inventor: **Lap Fu Chue**, New Territories (HK)

(73) Assignee: **Kenki (H.K.) Ltd.**, Kowloon (HK)

(**) Term: **14 Years**

(21) Appl. No.: **29/297,050**

(22) Filed: **Nov. 2, 2007**

(51) **LOC (8) Cl.** **03-01**

(52) **U.S. Cl.** **D3/203.3**

(58) **Field of Classification Search** D3/203.3,
D3/201-205, 302, 273; D28/1-8, 78-83;
206/531-540; D9/730-737

See application file for complete search history.

(56) **References Cited**

U.S. PATENT DOCUMENTS

- D488,618 S * 4/2004 Wekstein D3/203.3
- D502,801 S * 3/2005 Baum D3/203.3
- D544,202 S * 6/2007 Markfelder D3/203.3

* cited by examiner

Primary Examiner—Catherine R. Oliver

(74) *Attorney, Agent, or Firm*—Rabin & Berdo, P.C.

(57) **CLAIM**

The ornamental design for a pill box, as shown and described.

DESCRIPTION

FIG. 1 is a front view of a pill box showing my new design;

FIG. 2 is a rear view thereof;

FIG. 3 is a left side view thereof;

FIG. 4 is a right side view thereof;

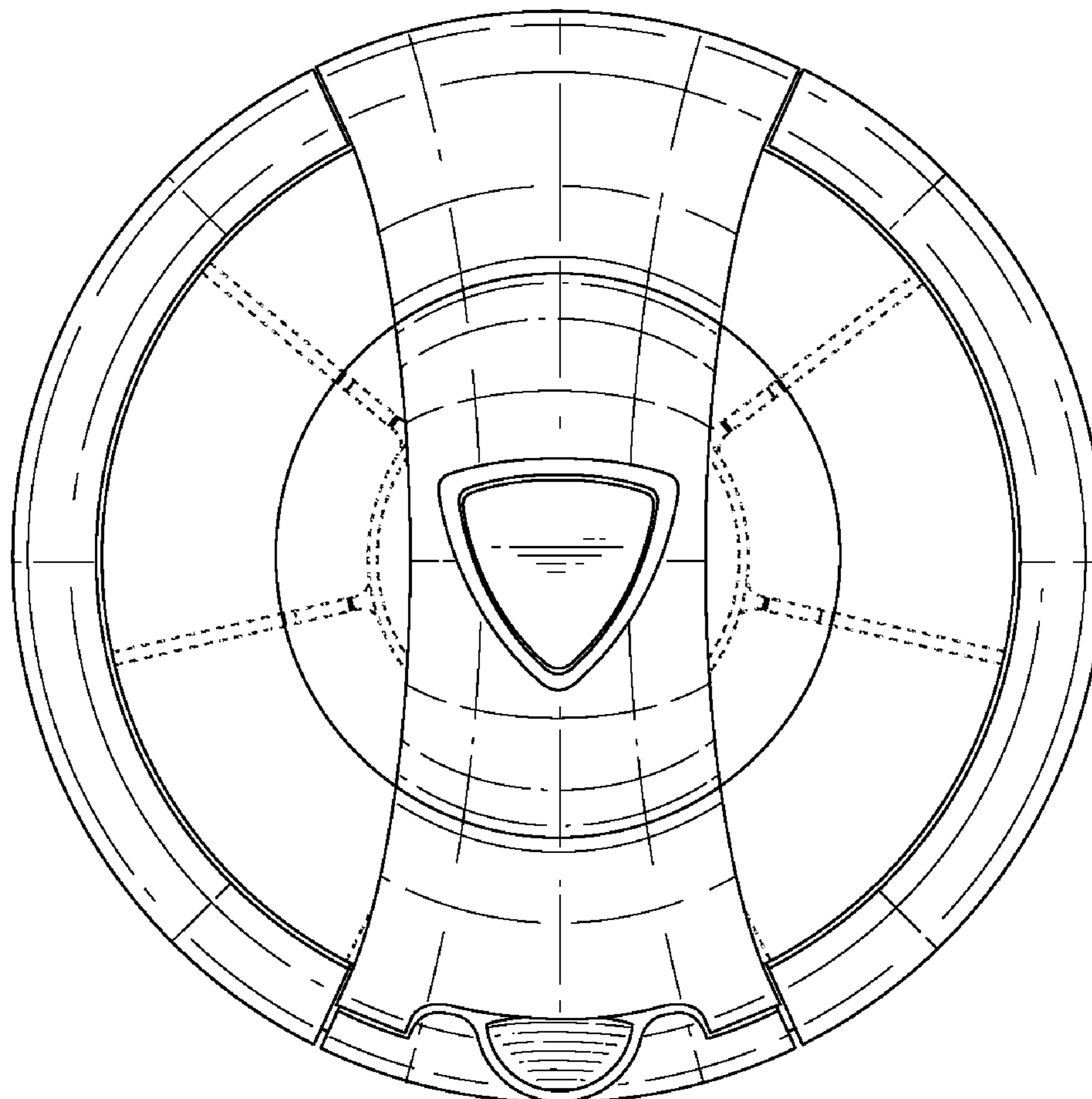
FIG. 5 is a top view thereof;

FIG. 6 is a bottom view thereof; and,

FIG. 7 is a perspective view thereof.

The broken line showing of environment in the drawings is included for the purpose of illustrating only and forms no part of the claimed design.

1 Claim, 4 Drawing Sheets



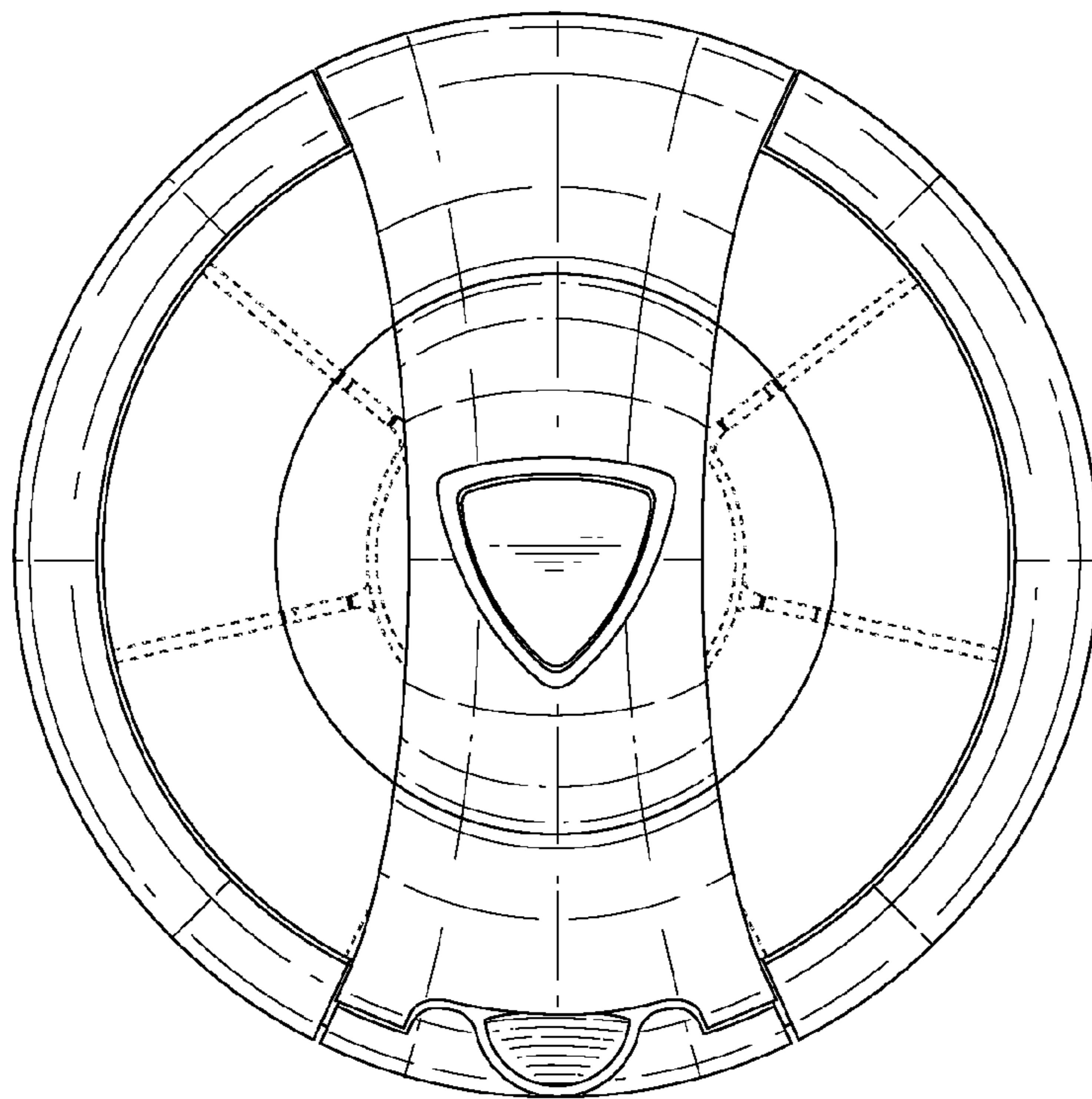


Fig. 1

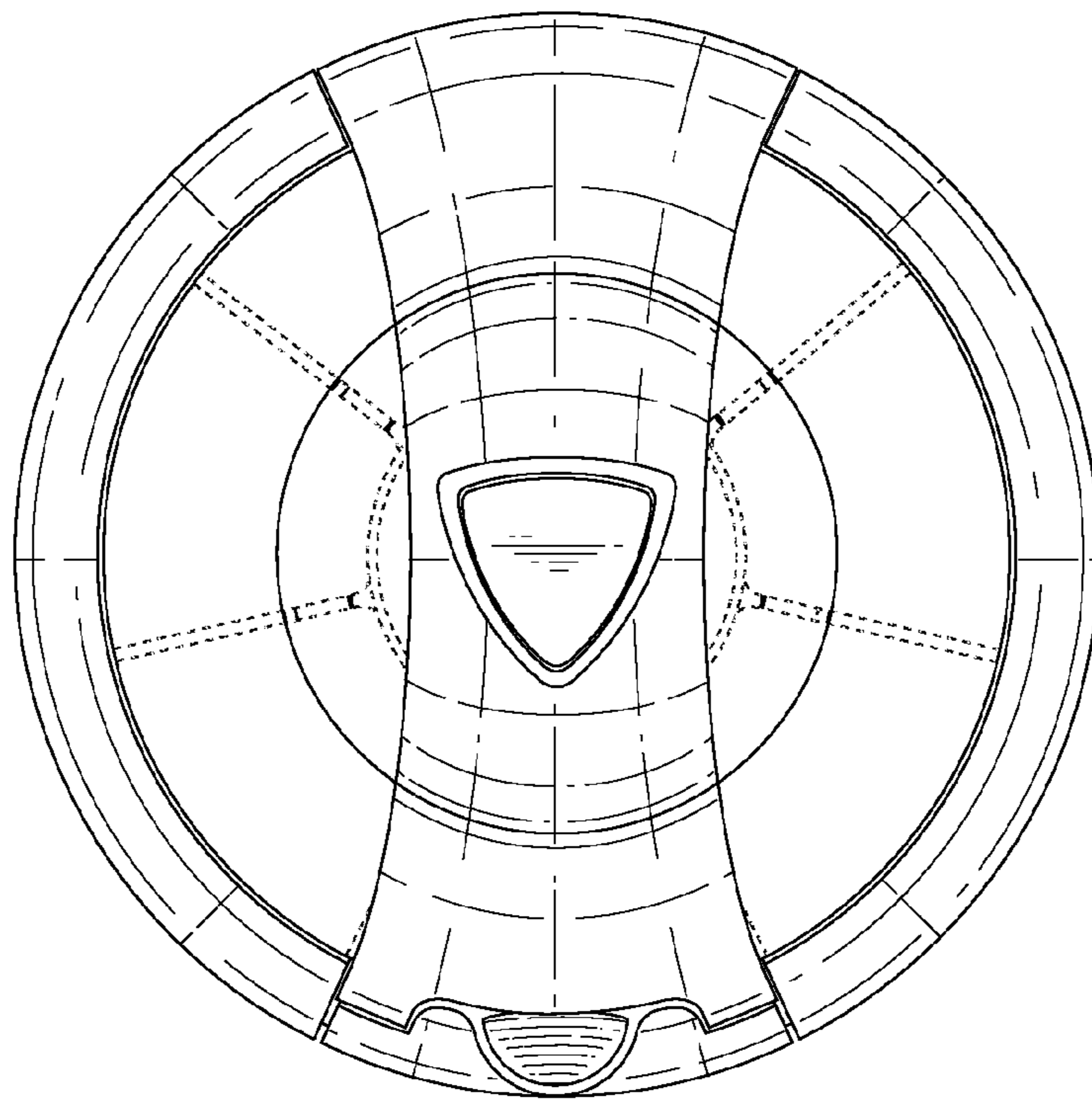


Fig. 2

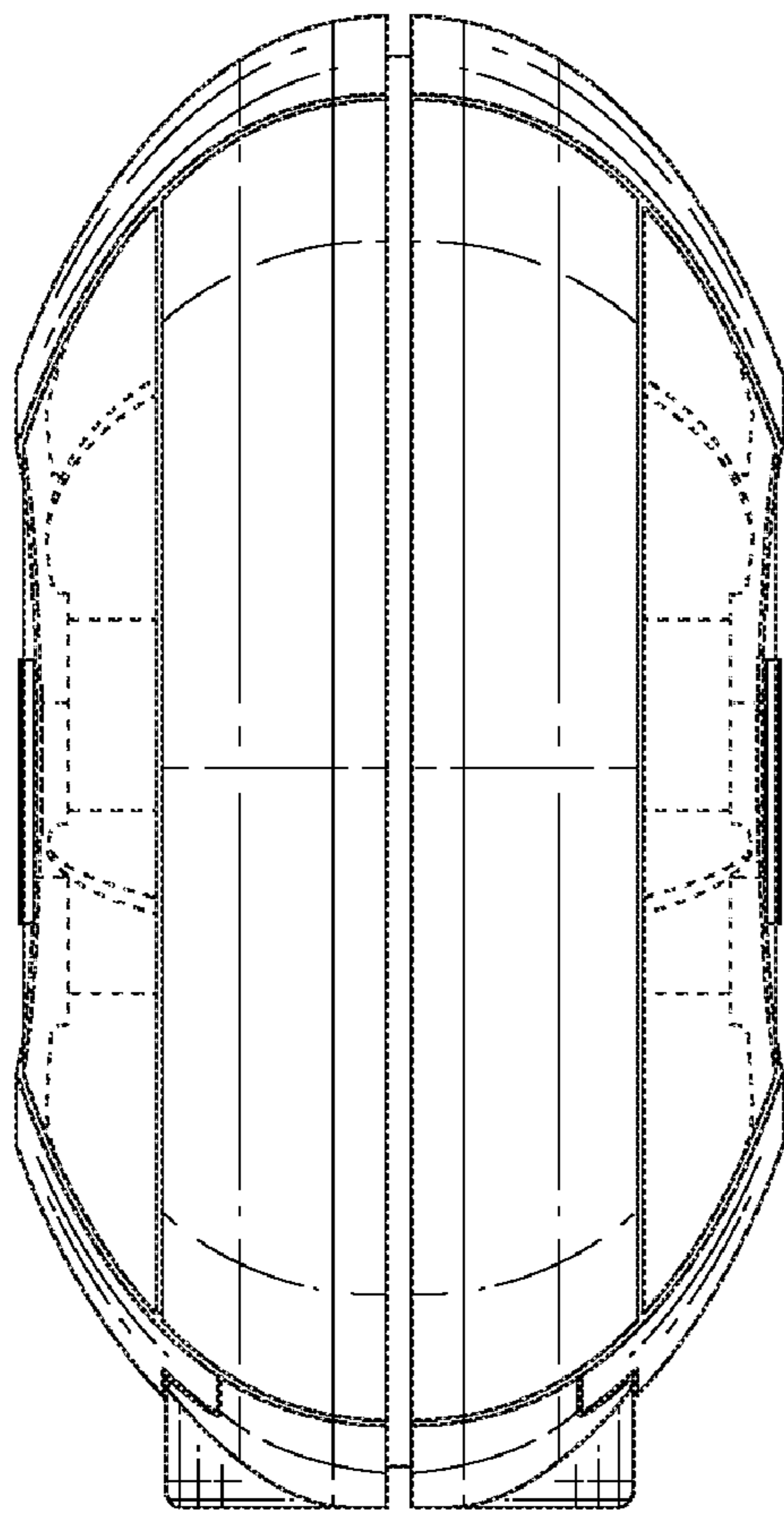


Fig. 3

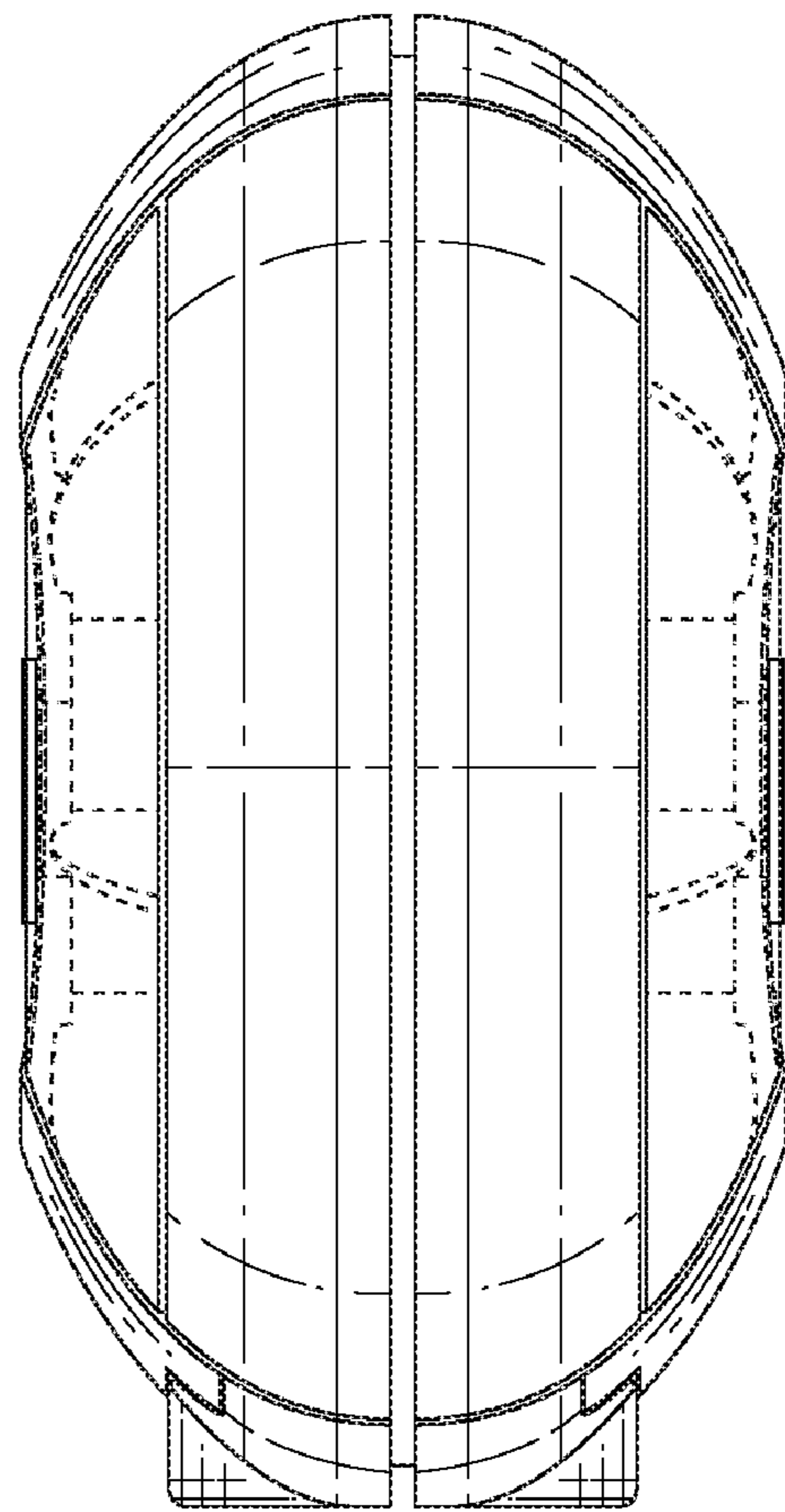


Fig. 4

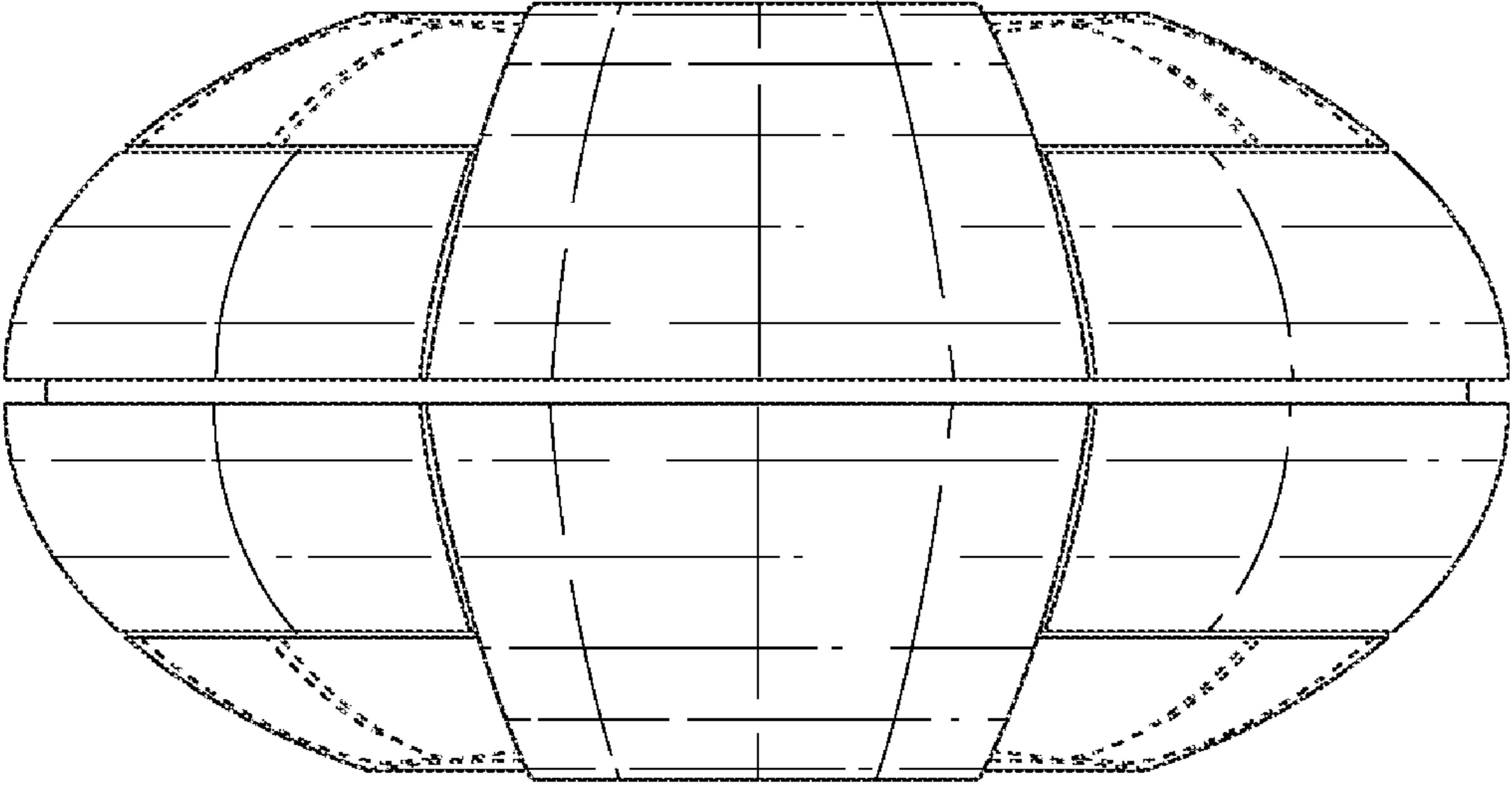


Fig. 5

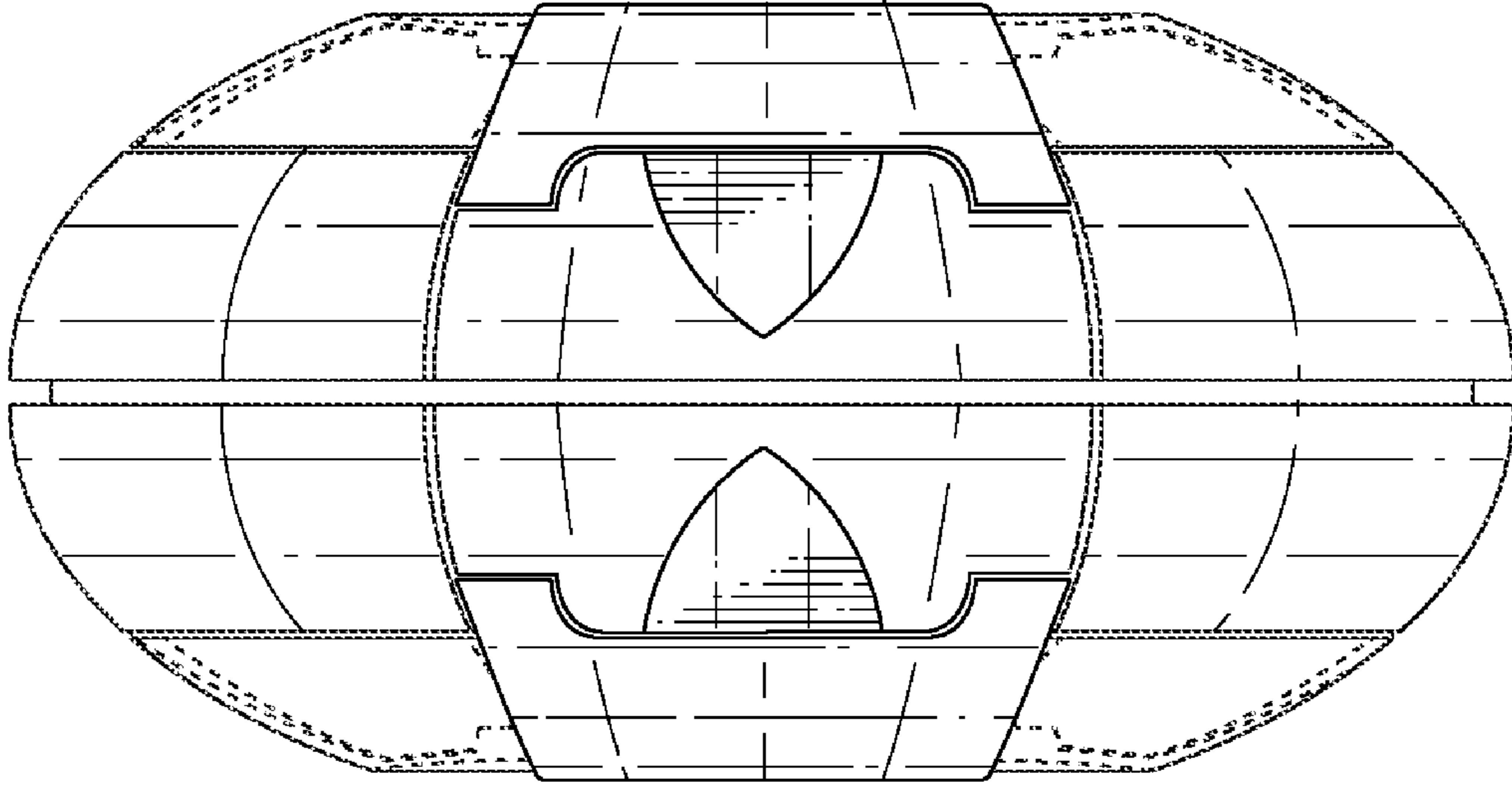


Fig. 6

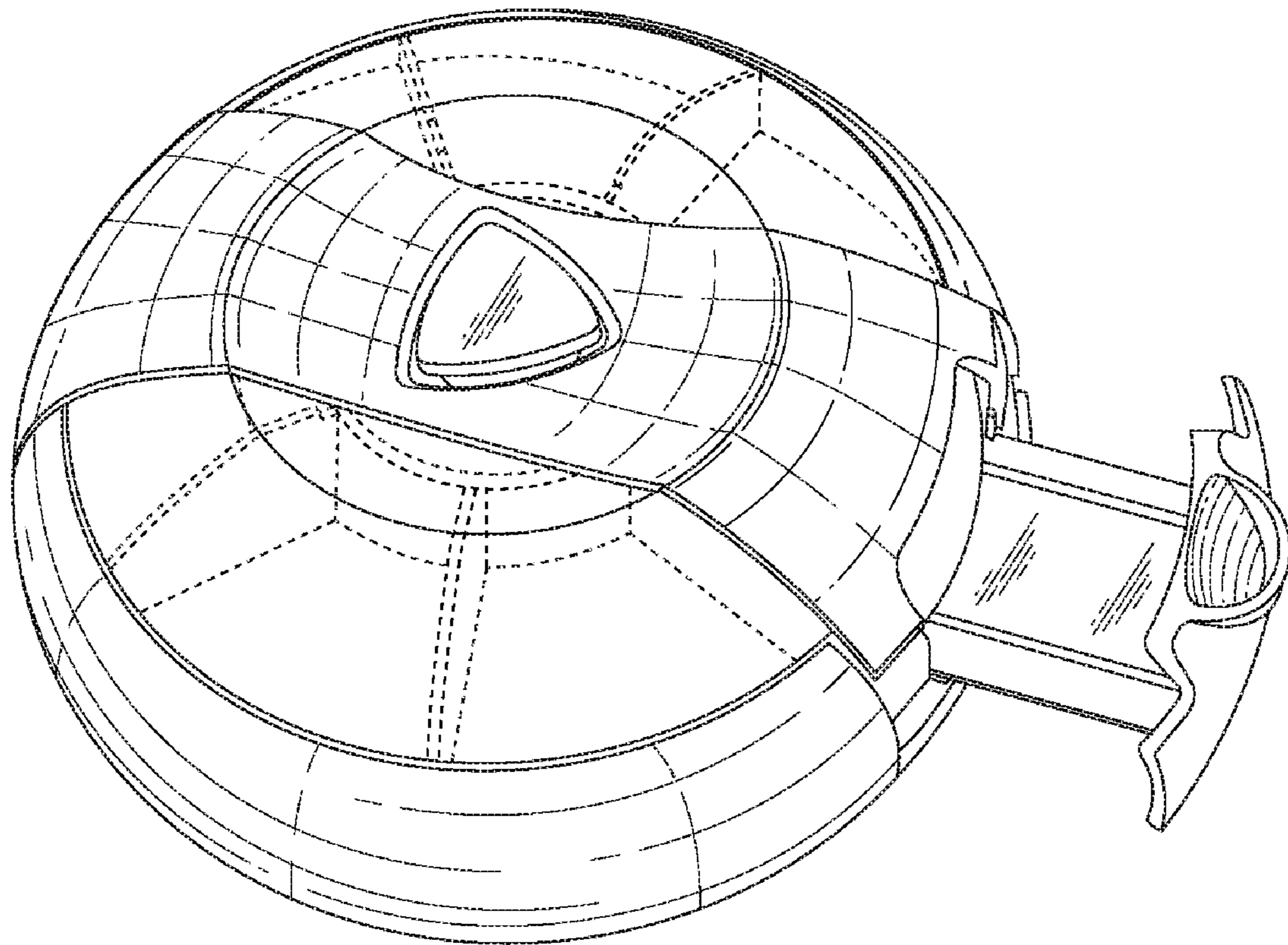


Fig. 7