

US00D570575S

(12) **United States Design Patent**  
**Stark**

(10) **Patent No.:** **US D570,575 S**

(45) **Date of Patent:** **\*\* Jun. 3, 2008**

(54) **FORKLIFT, TOY AND/OR OTHER REPLICAS**

(75) Inventor: **Stefan Stark**, Ludwigsburg (DE)

(73) Assignee: **Dr. Ing. h.c.F. Porsche Aktiengesellschaft**, Stuttgart (DE)

(\*\*) Term: **14 Years**

(21) Appl. No.: **29/269,927**

(22) Filed: **Dec. 12, 2006**

(30) **Foreign Application Priority Data**

Jun. 13, 2006 (EM) ..... 000544168-0001

(51) **LOC (8) Cl.** ..... **12-05**

(52) **U.S. Cl.** ..... **D34/34; D21/556**

(58) **Field of Classification Search** ..... D34/34;  
187/222, 237, 238; 414/631; 180/89.12,  
180/89.13, 89.17; D21/556

See application file for complete search history.

(56) **References Cited**

**U.S. PATENT DOCUMENTS**

D271,151 S *	10/1983	Kirby et al. ....	D34/35
D327,356 S *	6/1992	Laatsch .....	D34/34
5,184,699 A *	2/1993	Aoki et al. ....	187/224
D346,259 S *	4/1994	Laatsch .....	D34/34
D353,931 S *	12/1994	Kobayakawa et al. ....	D34/34
D354,604 S *	1/1995	Soederberg .....	D34/34
5,524,721 A *	6/1996	Yamauchi .....	180/69.2
5,560,451 A *	10/1996	Hincks .....	187/237
D386,877 S *	11/1997	Russey et al. ....	D34/34
D393,134 S *	3/1998	Mariano .....	D34/34
D393,516 S *	4/1998	Hahn et al. ....	D34/34
D396,928 S *	8/1998	Hahn et al. ....	D34/34
5,881,842 A *	3/1999	Kikukawa .....	187/222
D411,681 S *	6/1999	Murakami et al. ....	D34/34

D412,385 S *	7/1999	Murakami et al. ....	D34/34
D427,409 S *	6/2000	Sato et al. ....	D34/34
D448,136 S *	9/2001	Yurushi et al. ....	D34/34
D452,598 S *	12/2001	Sato .....	D34/34
D466,268 S *	11/2002	Kraimer et al. ....	D34/34
D466,669 S *	12/2002	Kraimer et al. ....	D34/34
D468,885 S *	1/2003	Salin et al. ....	D34/34
D469,236 S *	1/2003	Mitsuyoshi et al. ....	D34/34
D470,990 S *	2/2003	Han et al. ....	D34/34
D471,339 S *	3/2003	Mori .....	D34/34
D471,340 S *	3/2003	Shibata et al. ....	D34/34
D492,831 S *	7/2004	Kouyama .....	D34/34
D518,268 S *	3/2006	Stark .....	D34/34
D526,460 S *	8/2006	Goto et al. ....	D34/34
D536,504 S *	2/2007	Righi .....	D34/34
D538,004 S *	3/2007	Kouyama et al. ....	D34/34
D542,004 S *	5/2007	Righi .....	D34/34
D542,503 S *	5/2007	Righi .....	D34/34

\* cited by examiner

*Primary Examiner*—Cynthia E Ramirez

(74) *Attorney, Agent, or Firm*—Crowell & Moring LLP

(57) **CLAIM**

The ornamental design for a forklift, toy, and/or other replicas, as shown and described.

**DESCRIPTION**

FIG. 1 is a left, front perspective view of a forklift, toy and/or other replicas according to my novel design;

FIG. 2 is a right, rear perspective view thereof;

FIG. 3 is a left side view thereof;

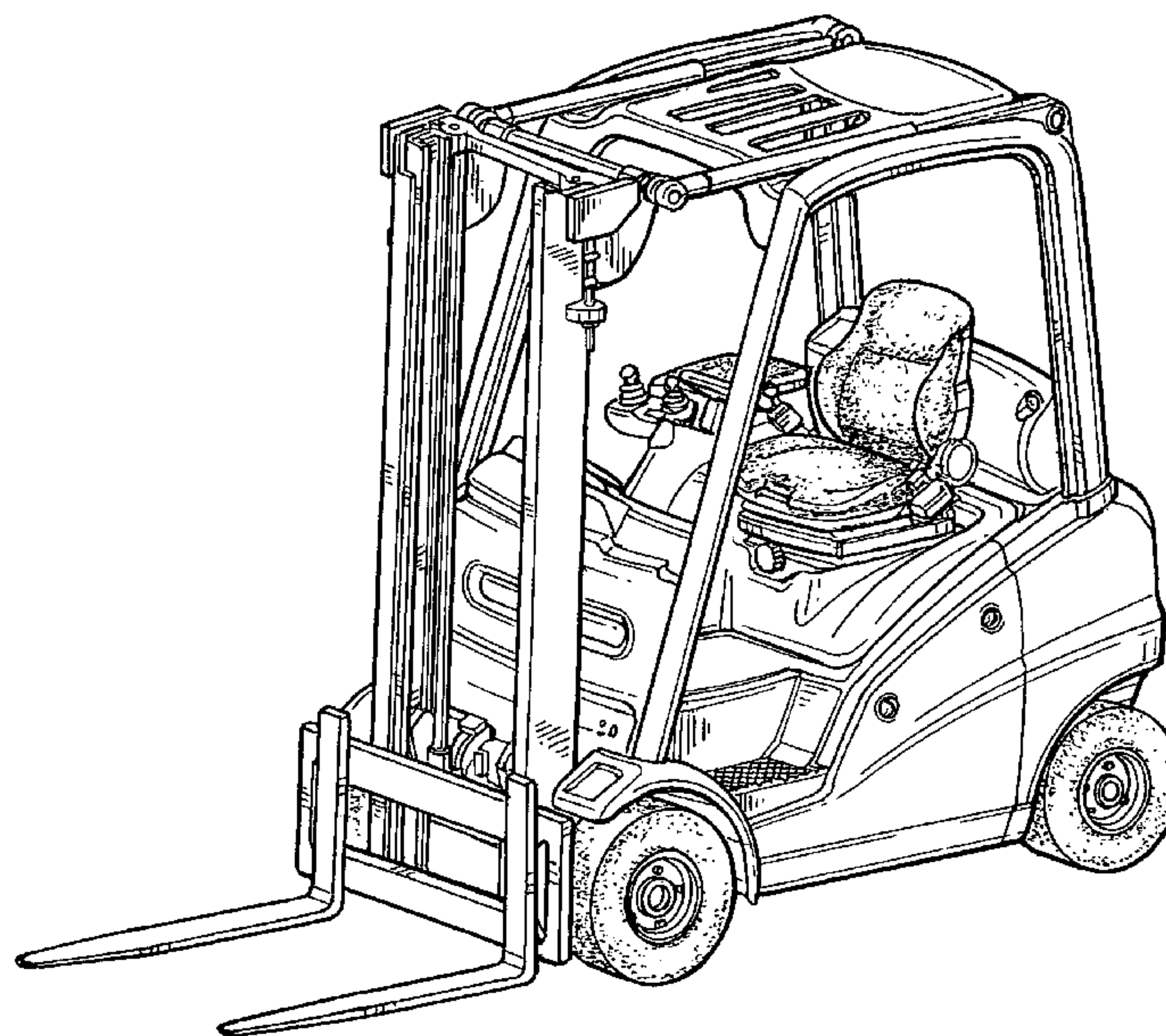
FIG. 4 is a right side view thereof;

FIG. 5 is a front view thereof;

FIG. 6 is a rear view thereof; and,

FIG. 7 is a top view thereof.

**1 Claim, 6 Drawing Sheets**



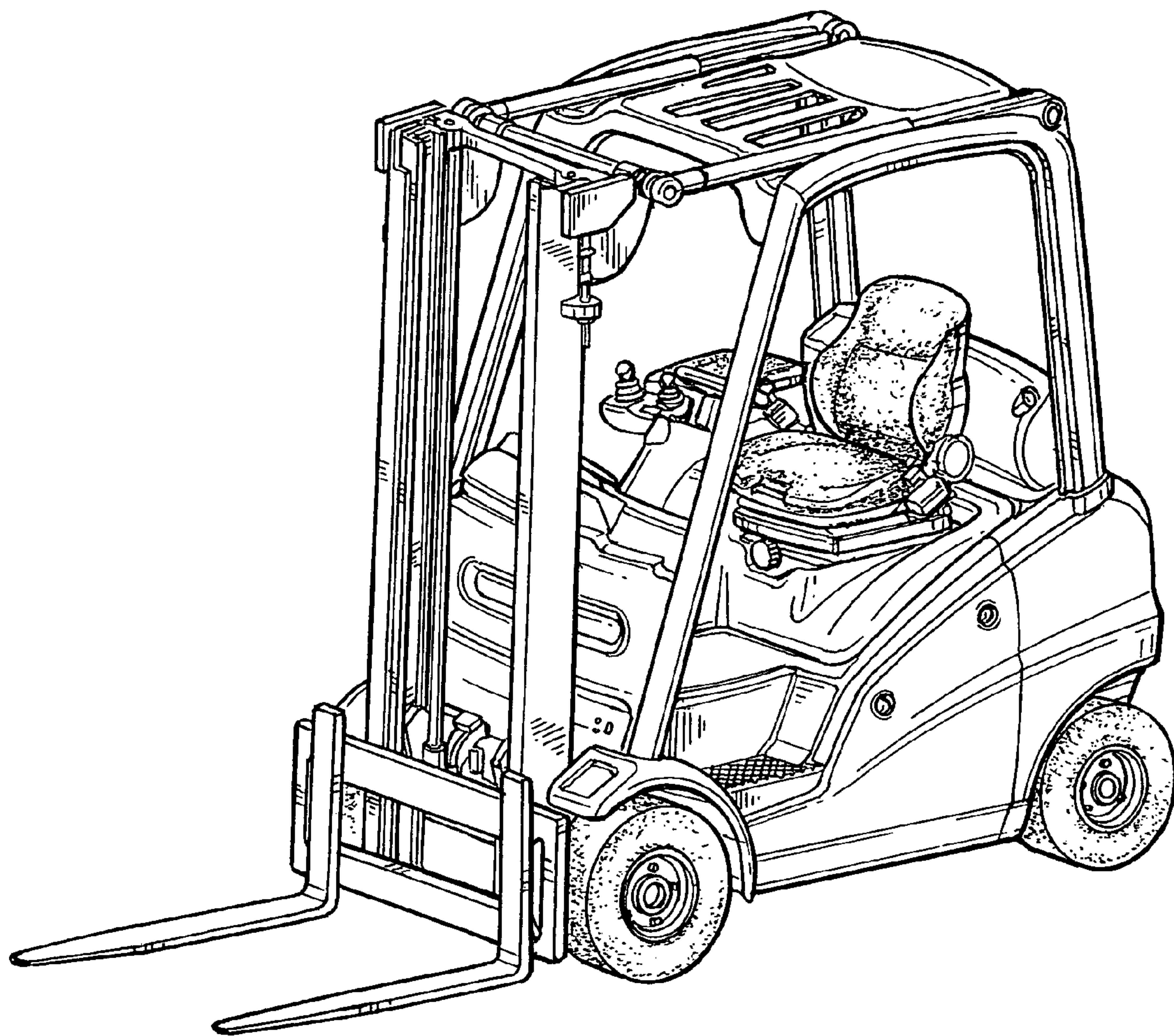


FIG. 1



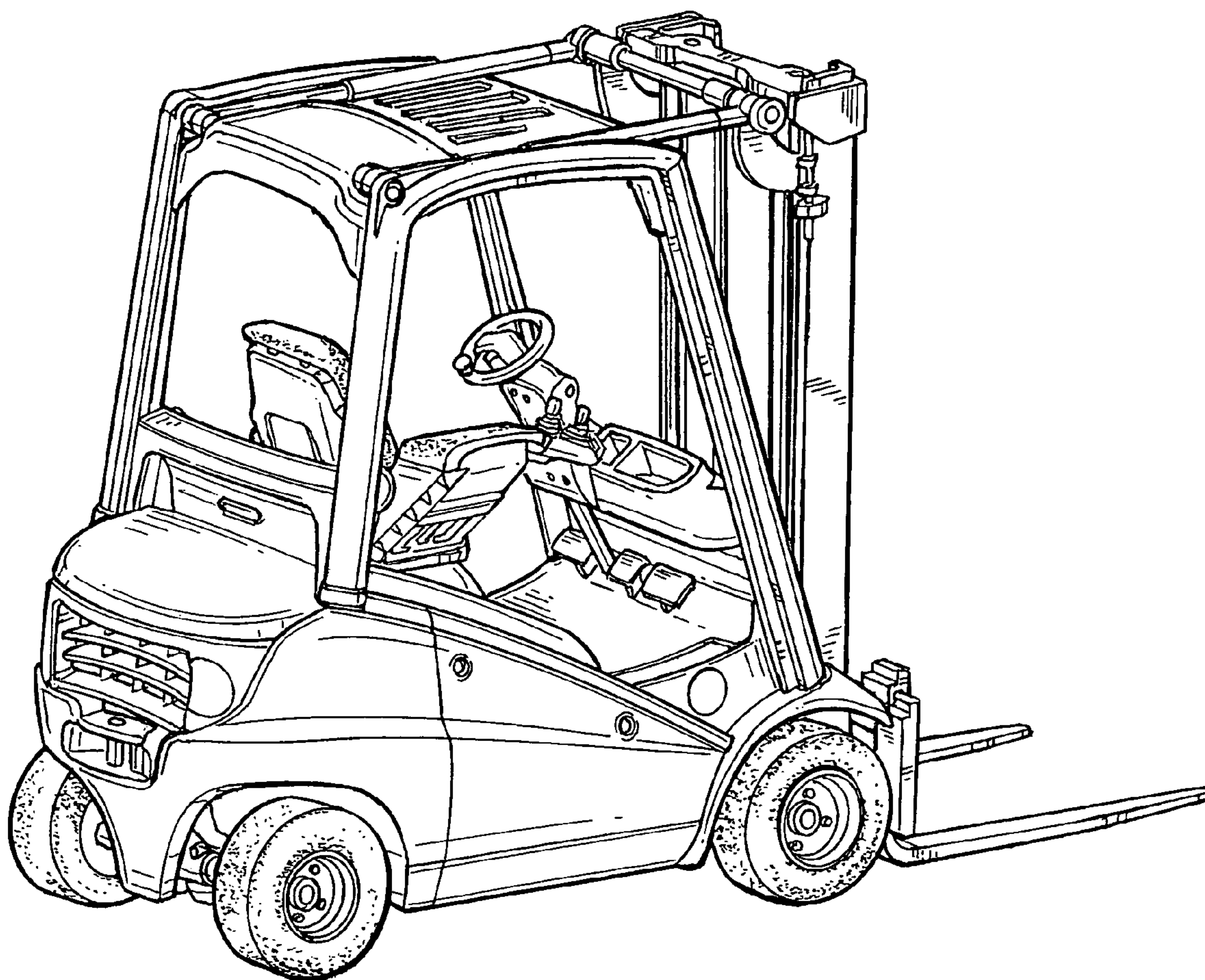


FIG. 2

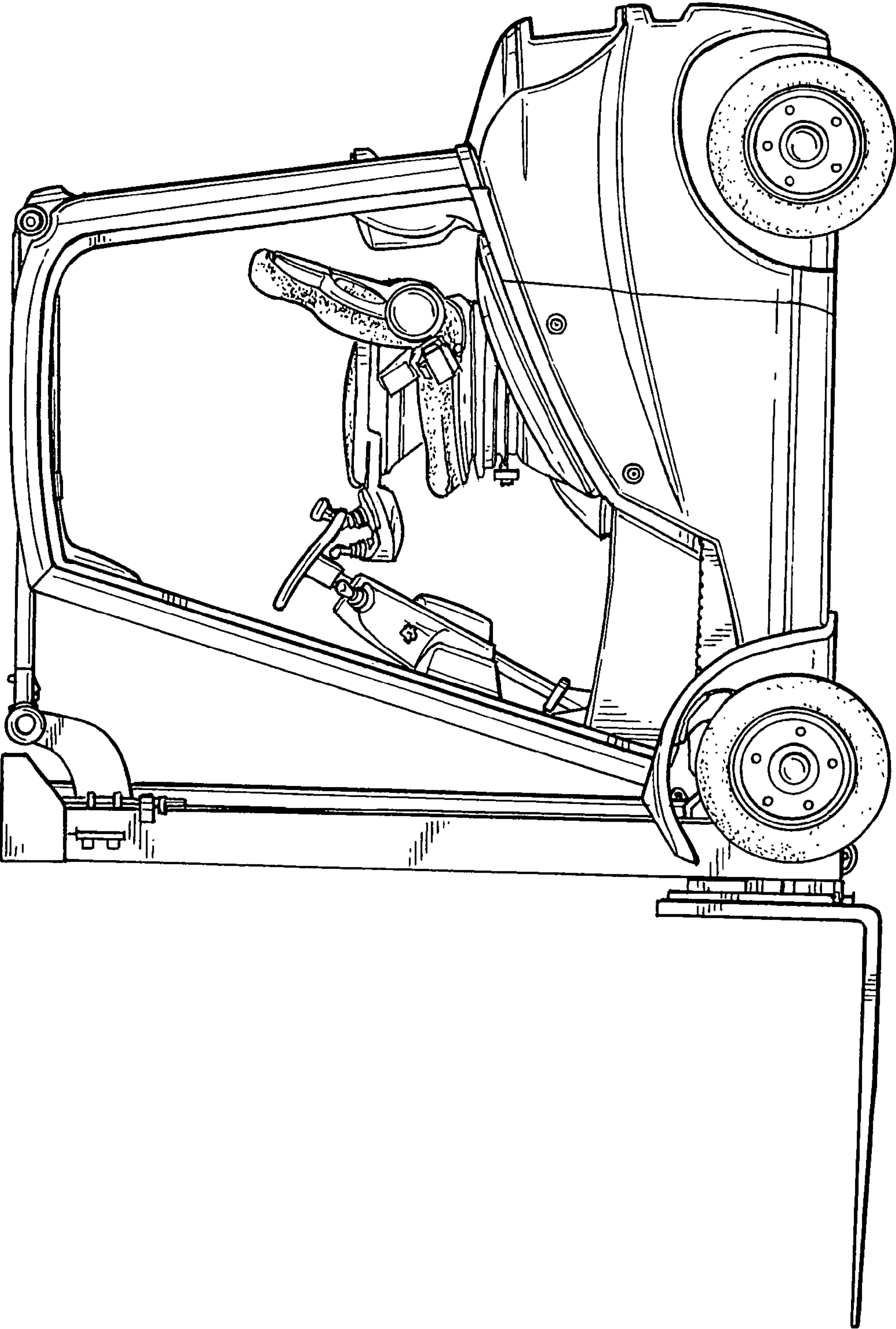


FIG. 3

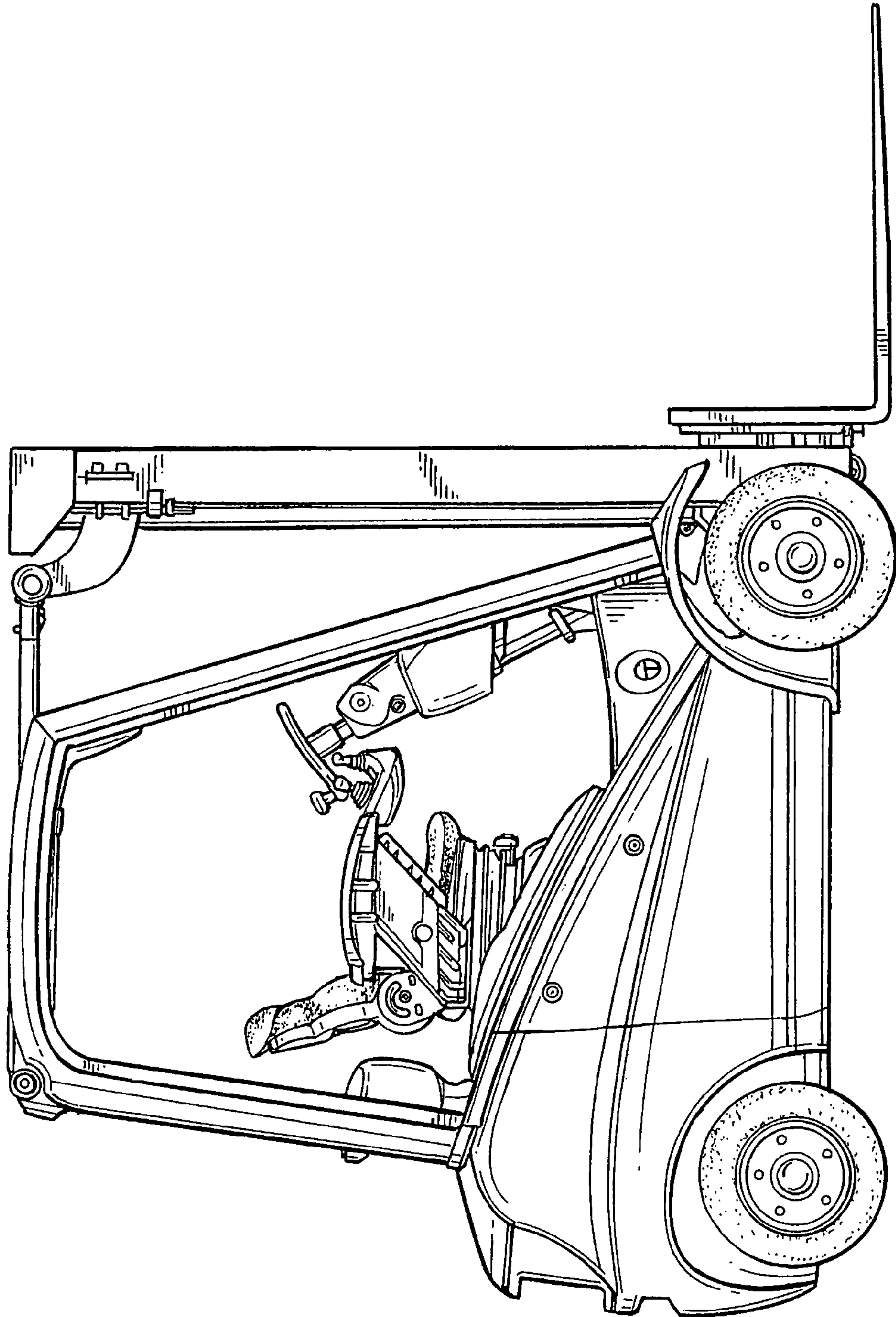


FIG. 4



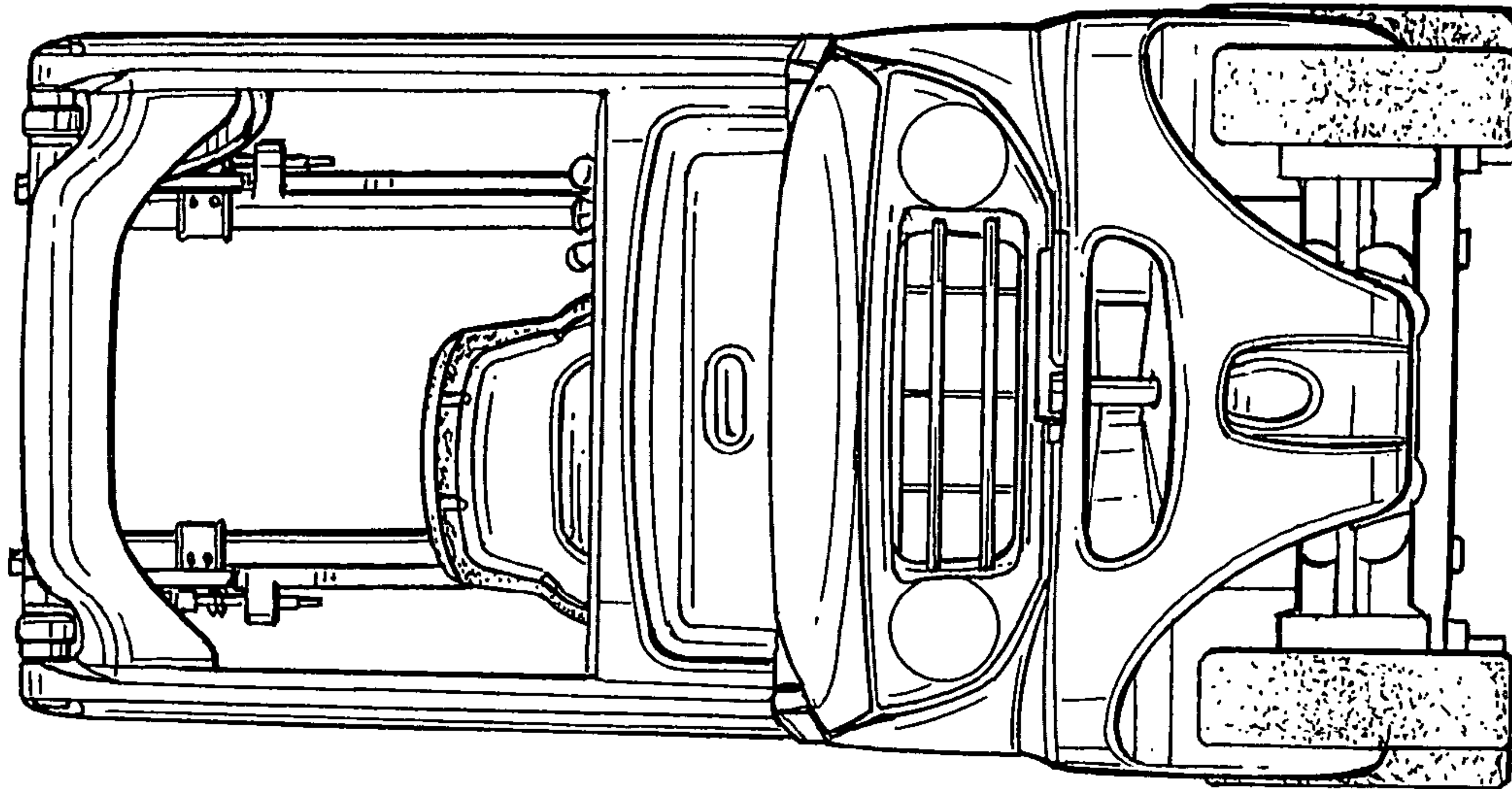


FIG. 6

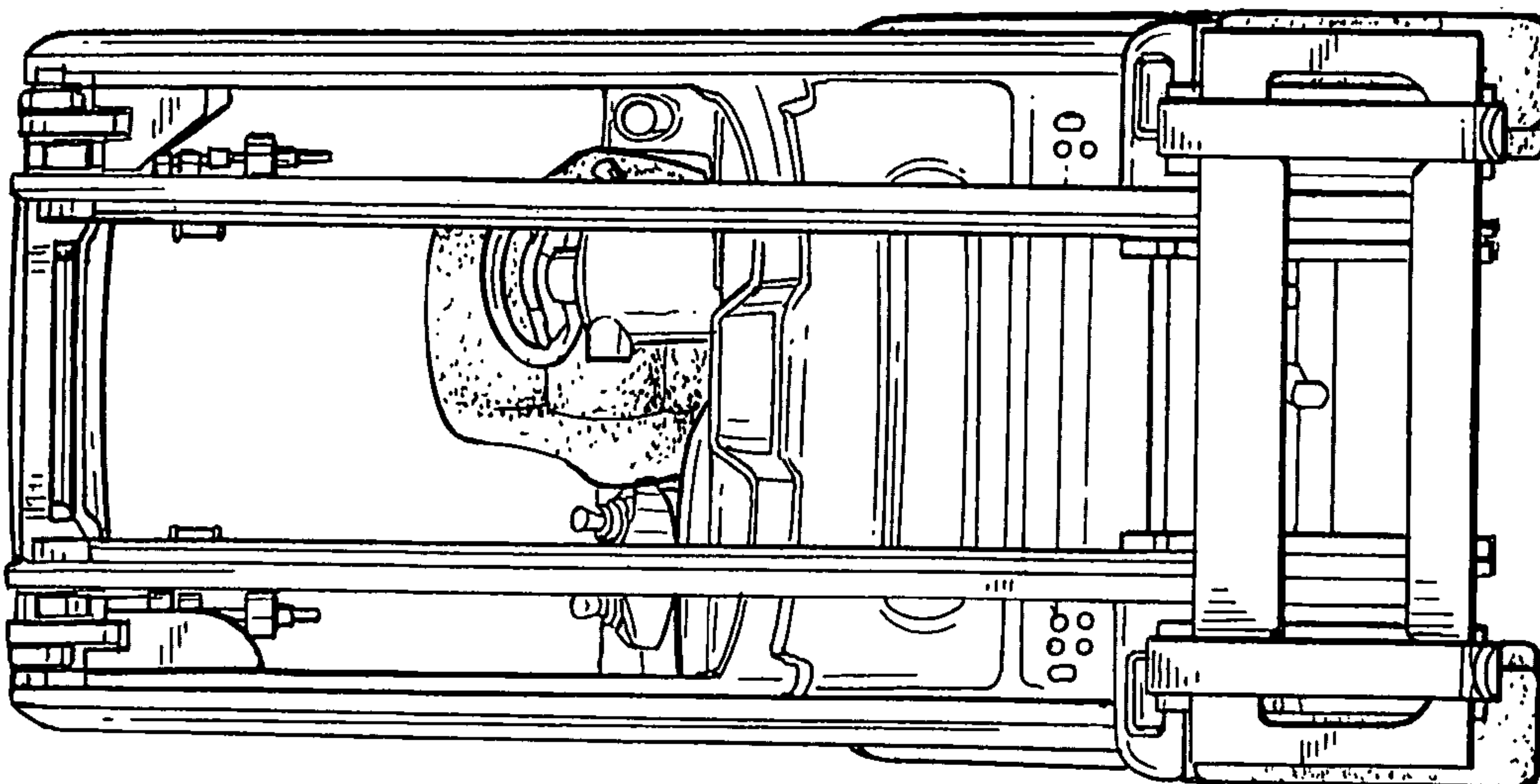


FIG. 5

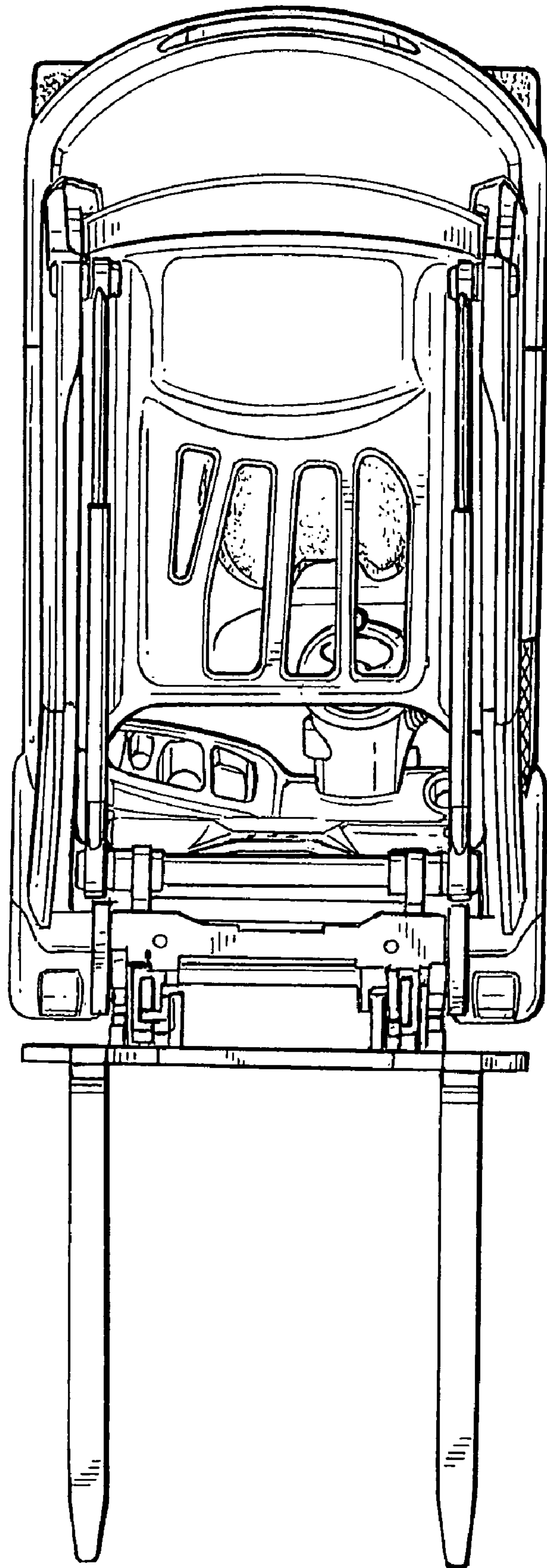


FIG. 7