

US00D570574S

(12) **United States Design Patent**  
**Liebenstein**

(10) **Patent No.:** **US D570,574 S**

(45) **Date of Patent:** **\*\* Jun. 3, 2008**

(54) **PALLET PULLER**

(75) Inventor: **Lowell Liebenstein**, Grafton, WI (US)

(73) Assignee: **Production Fabricating, Inc.**, Grafton, WI (US)

(\*\*) Term: **14 Years**

(21) Appl. No.: **29/270,080**

(22) Filed: **Dec. 14, 2006**

(51) **LOC (8) Cl.** ..... **12-05**

(52) **U.S. Cl.** ..... **D34/28**

(58) **Field of Classification Search** ..... D34/28,  
D34/38; 294/82.1, 92, 15, 93, 116, 118;  
D8/367, 14; 108/51.1, 51.11  
See application file for complete search history.

(56) **References Cited**

**U.S. PATENT DOCUMENTS**

2,626,176	A *	1/1953	Braun	.....	294/92
3,452,963	A *	7/1969	Holst, Sr. et al.	.....	254/131
3,616,952	A	11/1971	Aguilar et al.		
4,094,544	A	6/1978	Spaine		
4,421,353	A	12/1983	Smith, Jr.		
4,629,238	A	12/1986	Woodruff		
4,869,540	A	9/1989	Faul		
D315,239	S	3/1991	Krause et al.		
D388,582	S	12/1997	Irvin, Jr.		

5,695,230	A *	12/1997	Thompson	.....	294/15
5,791,711	A	8/1998	Tobias		
D416,120	S	11/1999	Campolito		
6,048,009	A *	4/2000	Sorg	.....	294/15
6,428,069	B1	8/2002	Simonson, Jr.		

\* cited by examiner

*Primary Examiner*—Cynthia E Ramirez

(74) *Attorney, Agent, or Firm*—Andrus, Scealess, Starke & Sawall, LLP

(57) **CLAIM**

I claim the ornamental design for a pallet puller, as shown and described.

**DESCRIPTION**

FIG. 1 is a perspective view of a pallet puller showing my design;

FIG. 2 is a side view of the pallet puller;

FIG. 3 is a top view of the pallet puller;

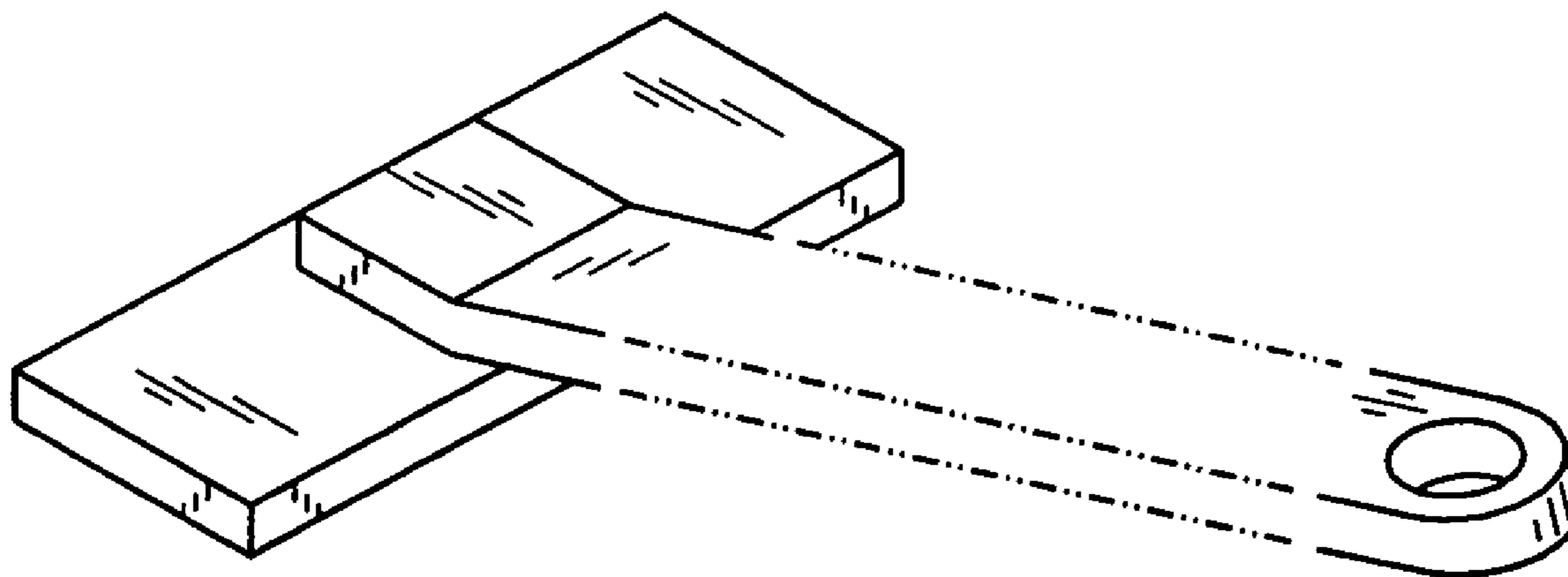
FIG. 4 is a bottom view of the pallet puller;

FIG. 5 is a front view of the pallet puller; and,

FIG. 6 is a rear view of the pallet puller.

The broken line showing of parts of the handle is included for the purpose of illustrating portions of the puller and forms no part of the claimed design.

**1 Claim, 2 Drawing Sheets**



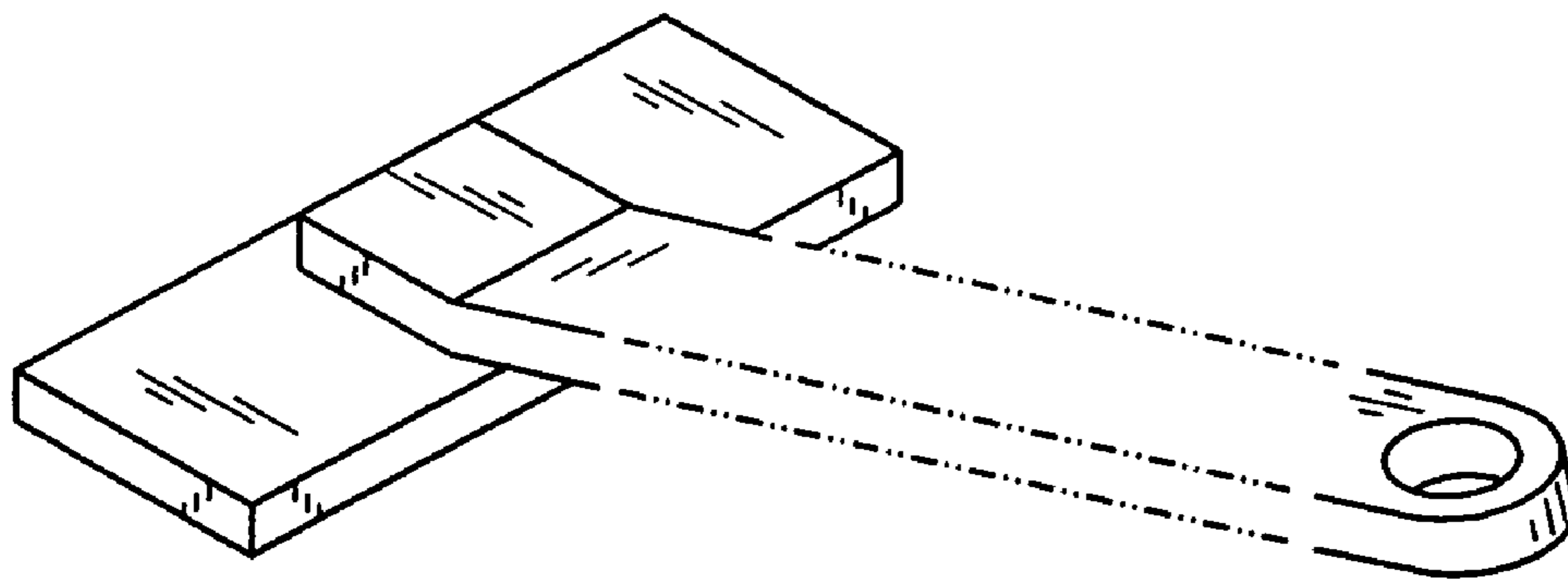


FIG. 1

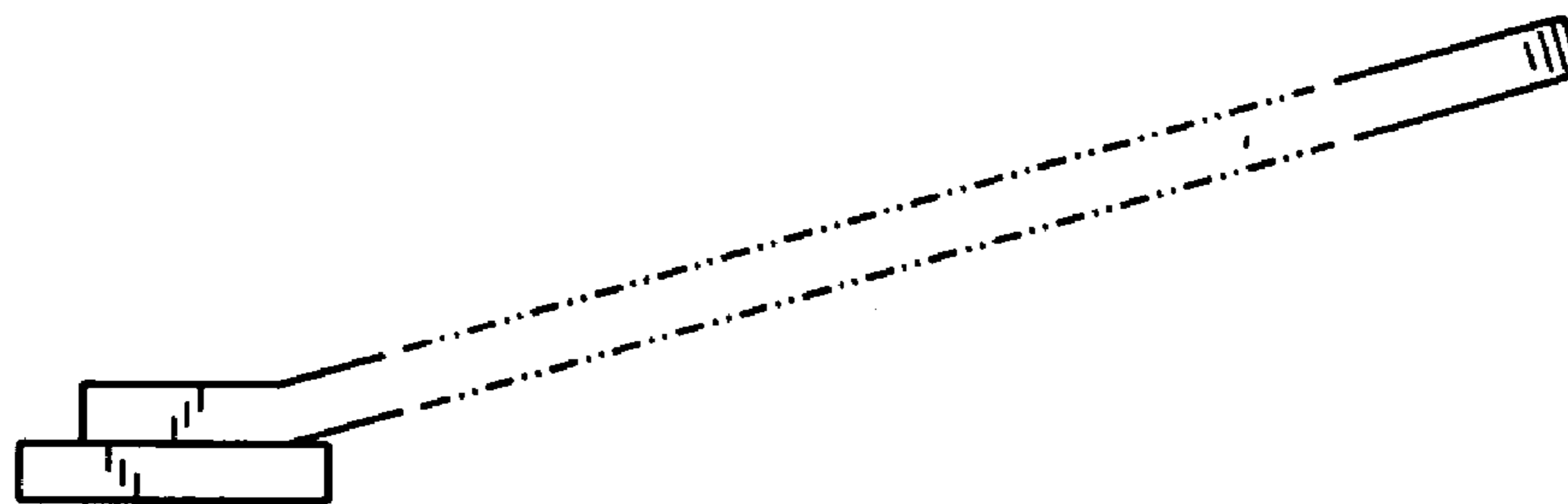


FIG. 2

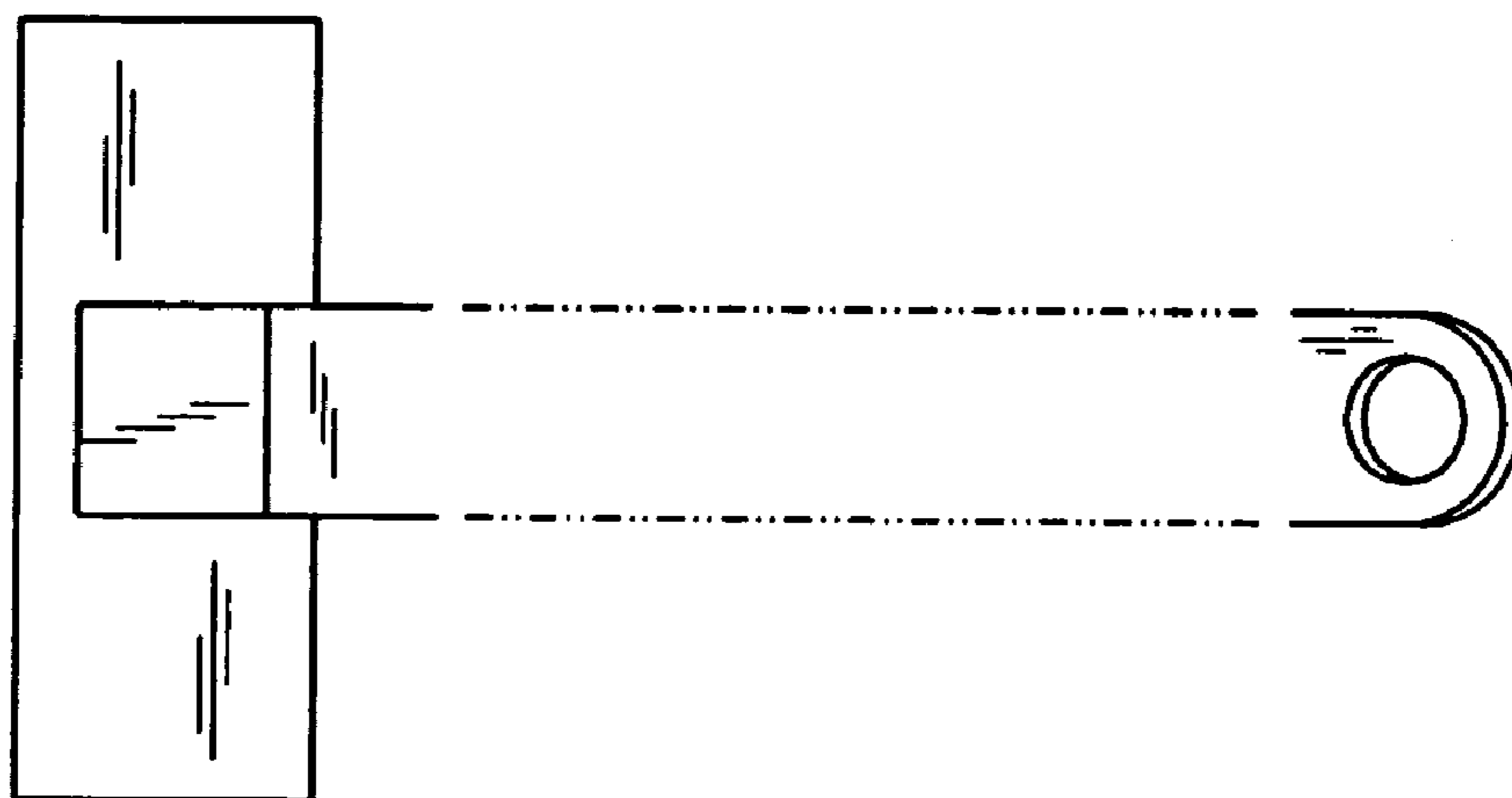


FIG. 3

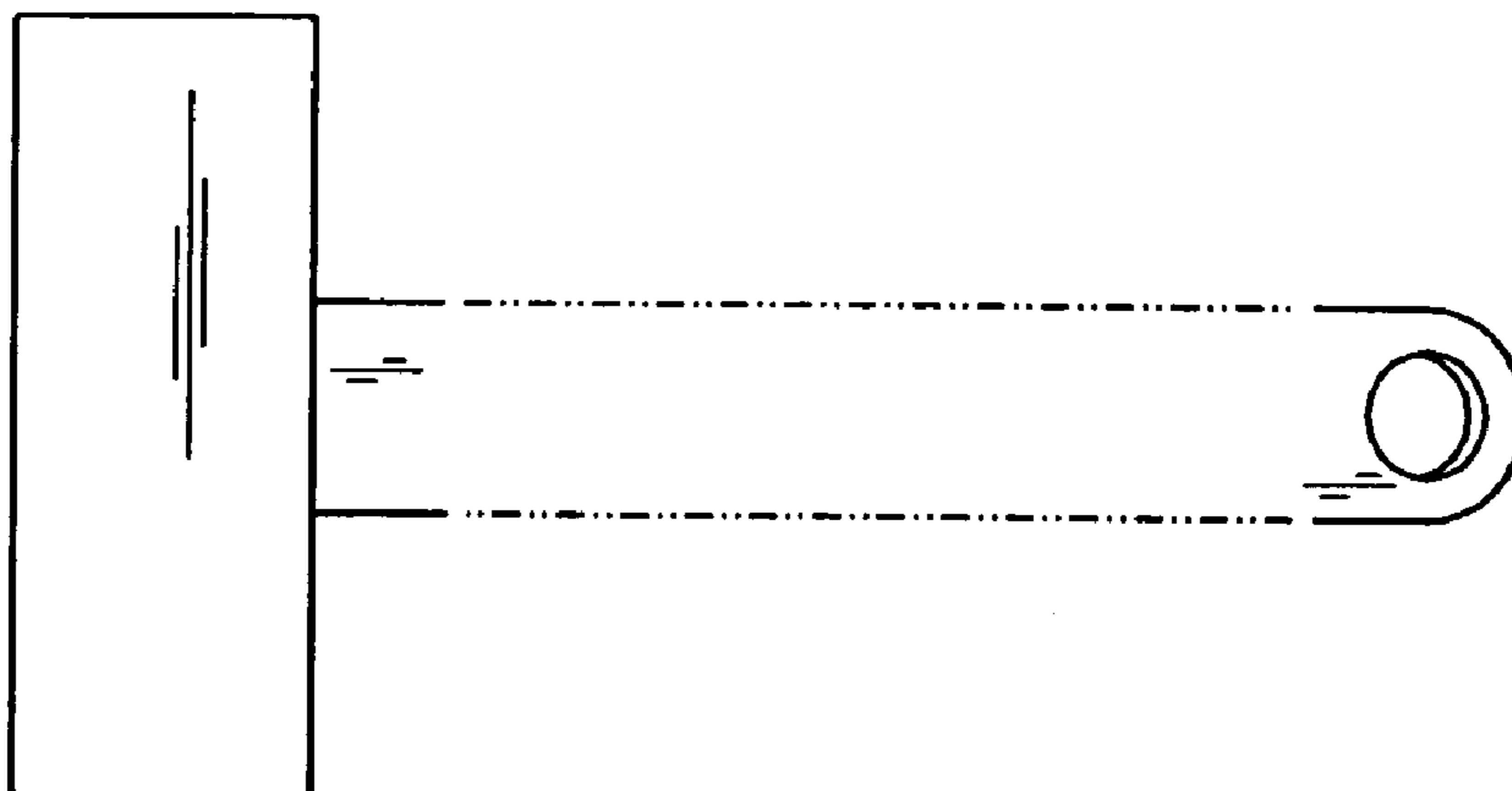


FIG. 4

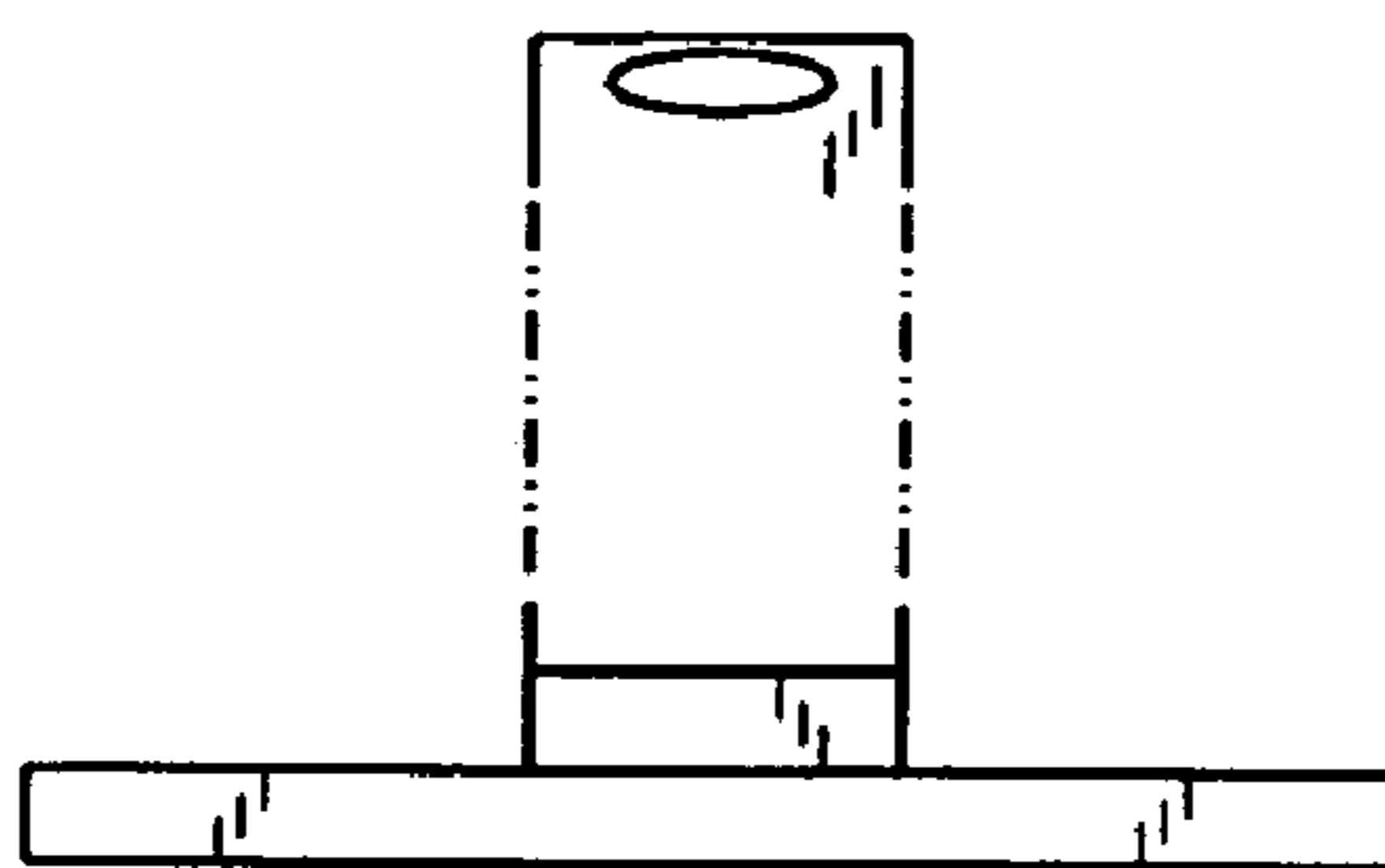


FIG. 5

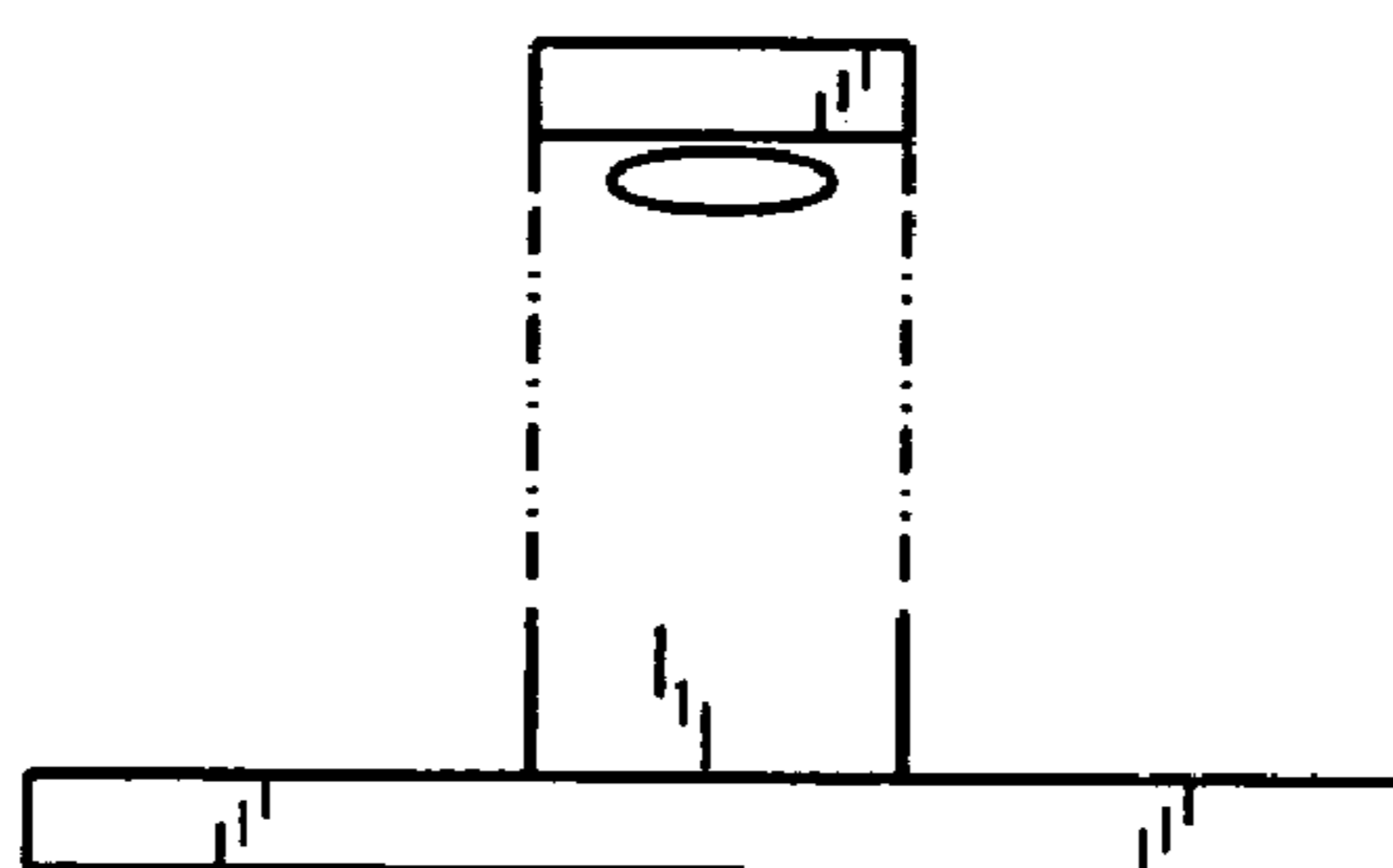


FIG. 6