

US00D570573S

(12) **United States Design Patent**
Arcati et al.

(10) **Patent No.:** **US D570,573 S**
(45) **Date of Patent:** **** Jun. 3, 2008**

(54) **HOSE REEL WITH TUBULAR FRAME**

D349,039 S * 7/1994 Goodman et al. D8/359
D503,837 S * 4/2005 Alkalay D34/14

(75) Inventors: **Eric Arcati**, Dillsburg, PA (US); **Eric Hyp**, Harrisburg, PA (US); **Robert Soreo**, Cleveland Heights, OH (US); **Jeffery Kalman**, Cleveland Heights, OH (US); **Robert Dorsey**, Columbia Station, OH (US)

* cited by examiner

Primary Examiner—Cynthia E Ramirez
(74) *Attorney, Agent, or Firm*—David C. Jenkins; Eckert Seamans Cherin & Mellott, LLC

(73) Assignee: **Ames True Temper, Inc.**, Camp Hill, PA (US)

(57) **CLAIM**

The ornamental design for a hose reel with tubular frame, as shown and described.

(**) Term: **14 Years**

(21) Appl. No.: **29/291,058**

DESCRIPTION

(22) Filed: **Aug. 13, 2007**

FIG. 1 is an isometric view of the hose reel with tubular frame showing our new design;

(51) **LOC (8) Cl.** **12-02**

FIG. 2 is a back side view of the hose reel with tubular frame;

(52) **U.S. Cl.** **D34/24; D8/359**

FIG. 3 is a front side view of the hose reel with tubular frame;

(58) **Field of Classification Search** D34/12-28;
280/33.991, 33.992, 33.994, 47.18, 47.26,
280/47.34; D8/359; 242/394, 403.1

FIG. 4 is a left side view of the hose reel with tubular frame;

See application file for complete search history.

FIG. 5 is a right side view of the hose reel with tubular frame;

(56) **References Cited**

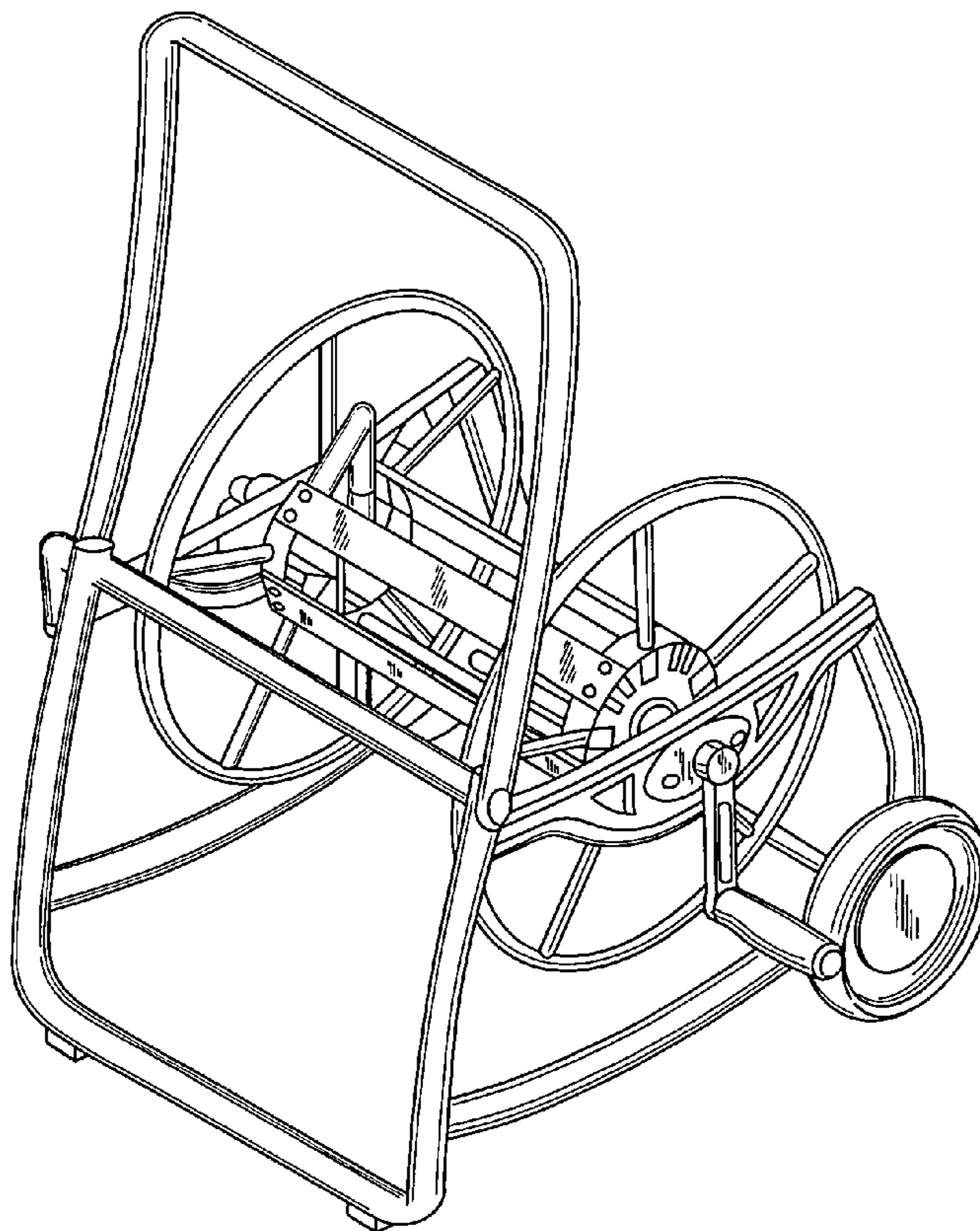
FIG. 6 is a top view of the hose reel with tubular frame; and,

U.S. PATENT DOCUMENTS

FIG. 7 is a bottom view of the hose reel with tubular frame.

4,137,939 A * 2/1979 Chow 137/355.27
D330,847 S * 11/1992 Clivio D8/359
D341,240 S * 11/1993 Roman D34/24

1 Claim, 6 Drawing Sheets



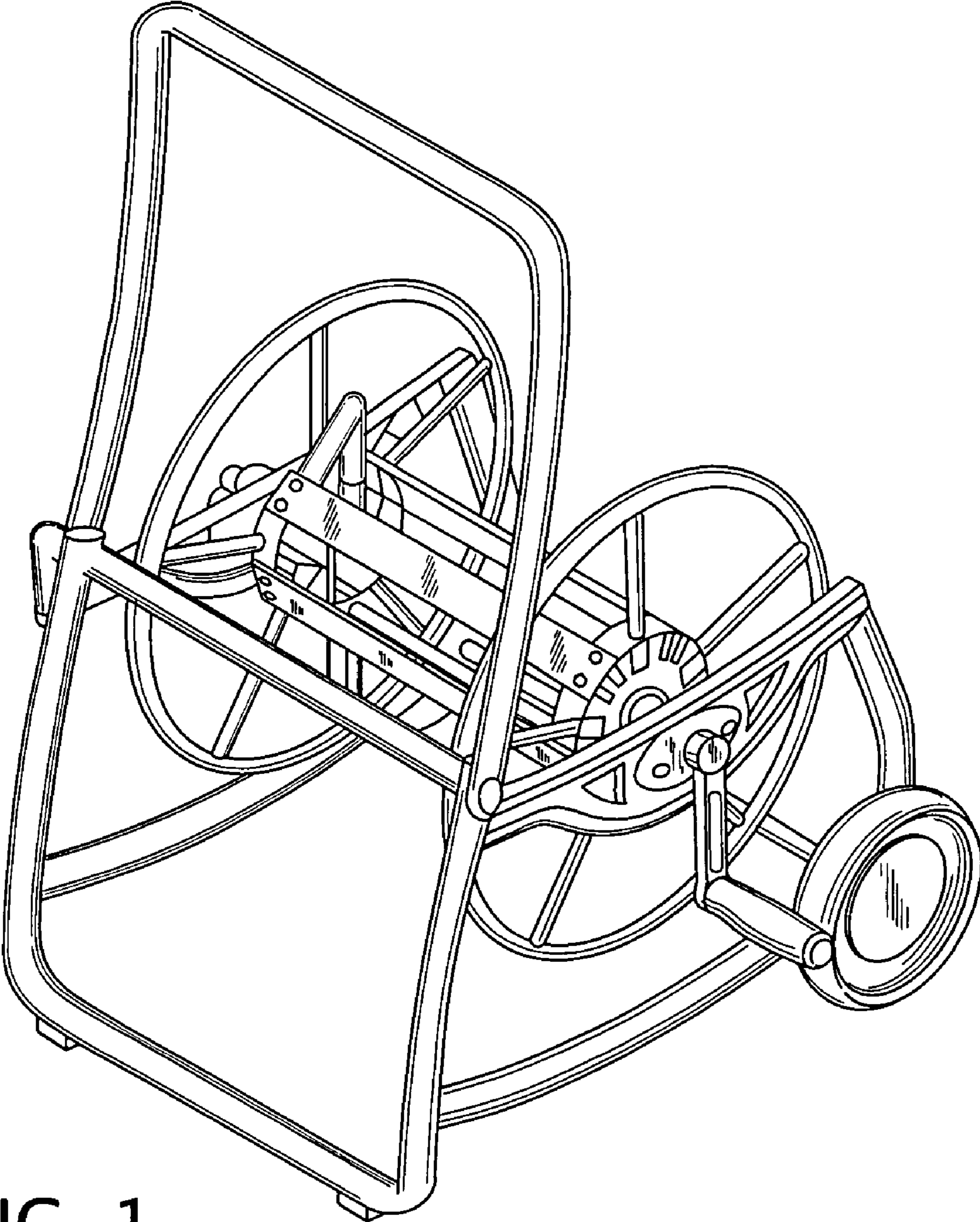


FIG. 1

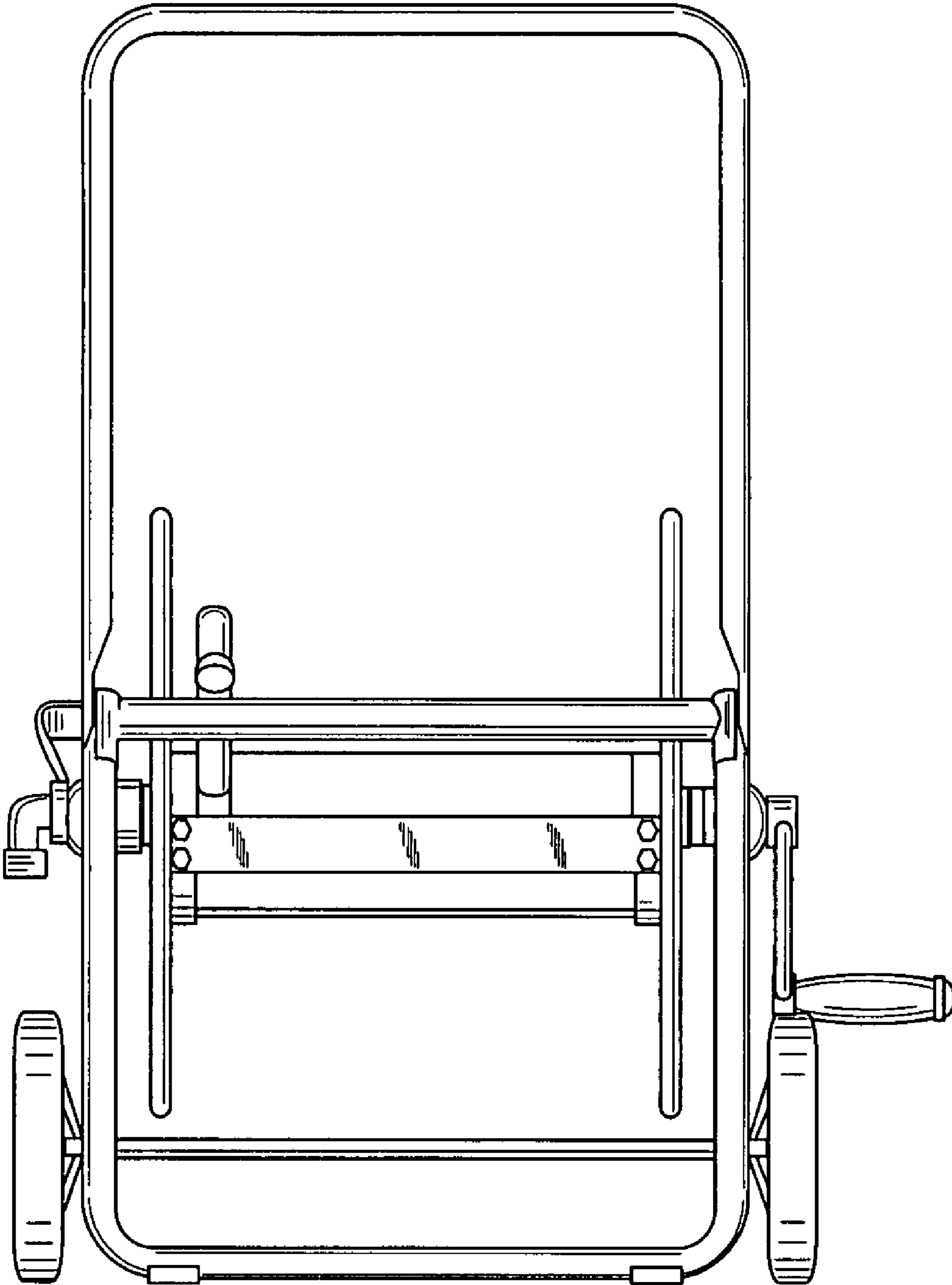


FIG. 2

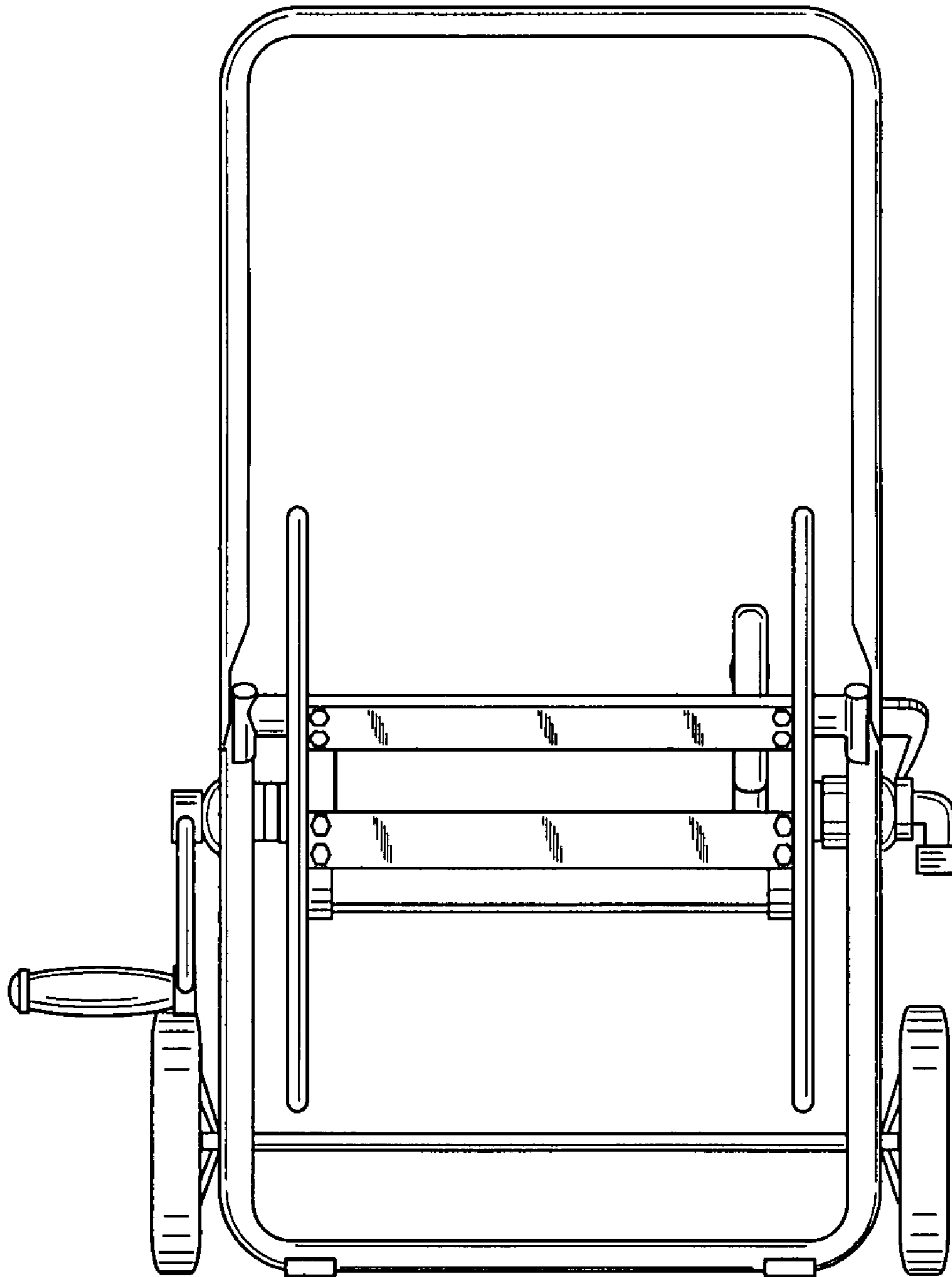


FIG. 3

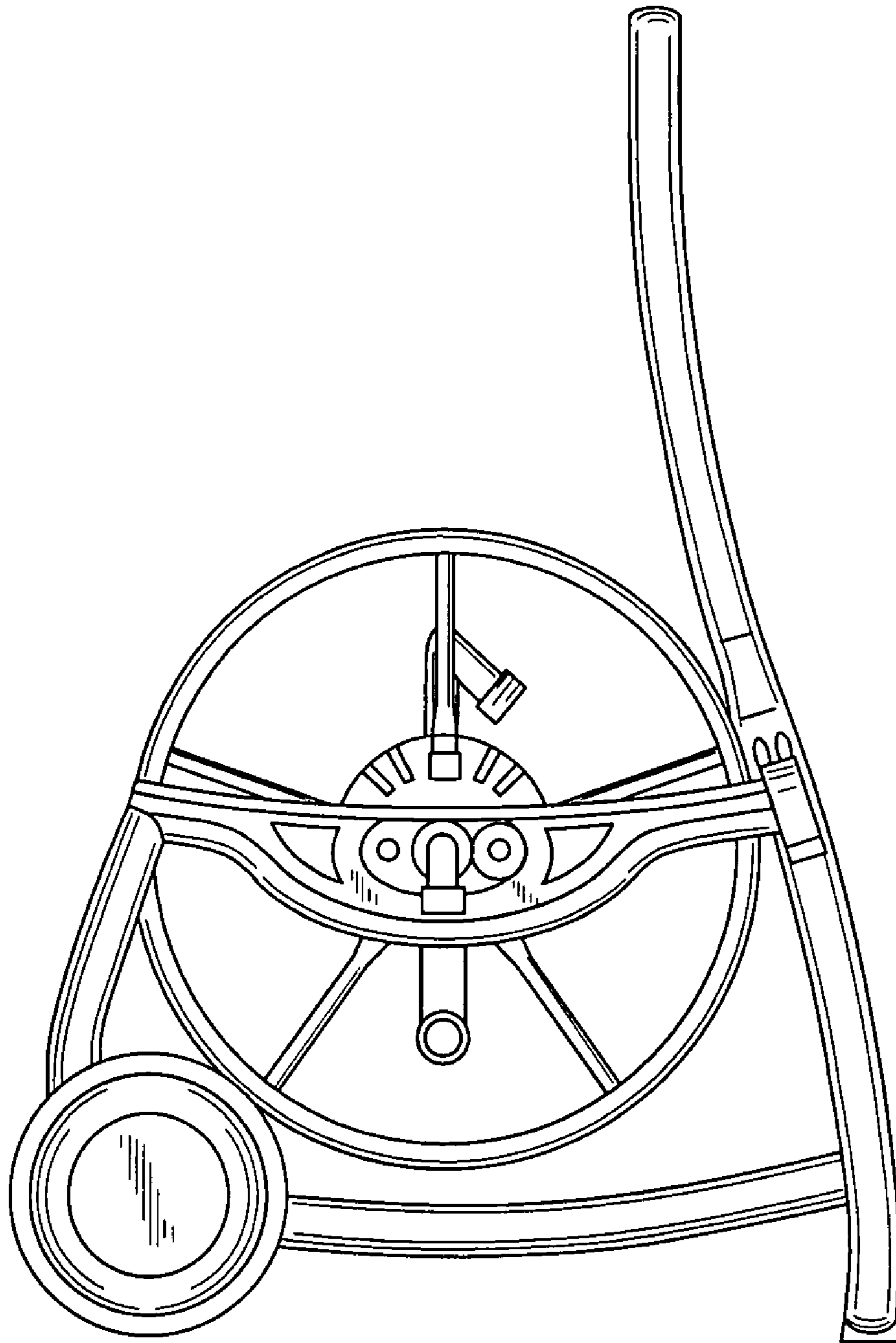


FIG. 4

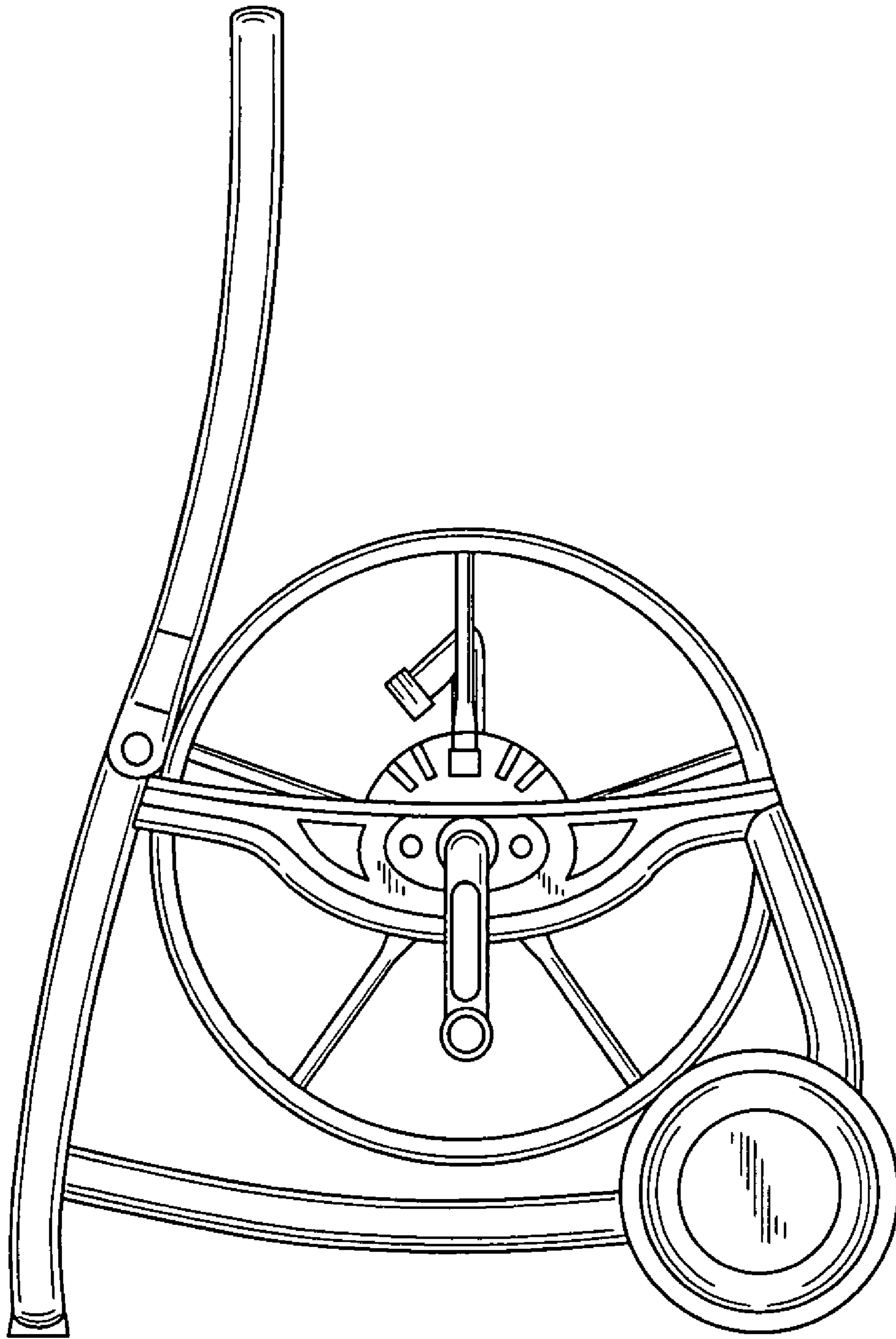


FIG. 5

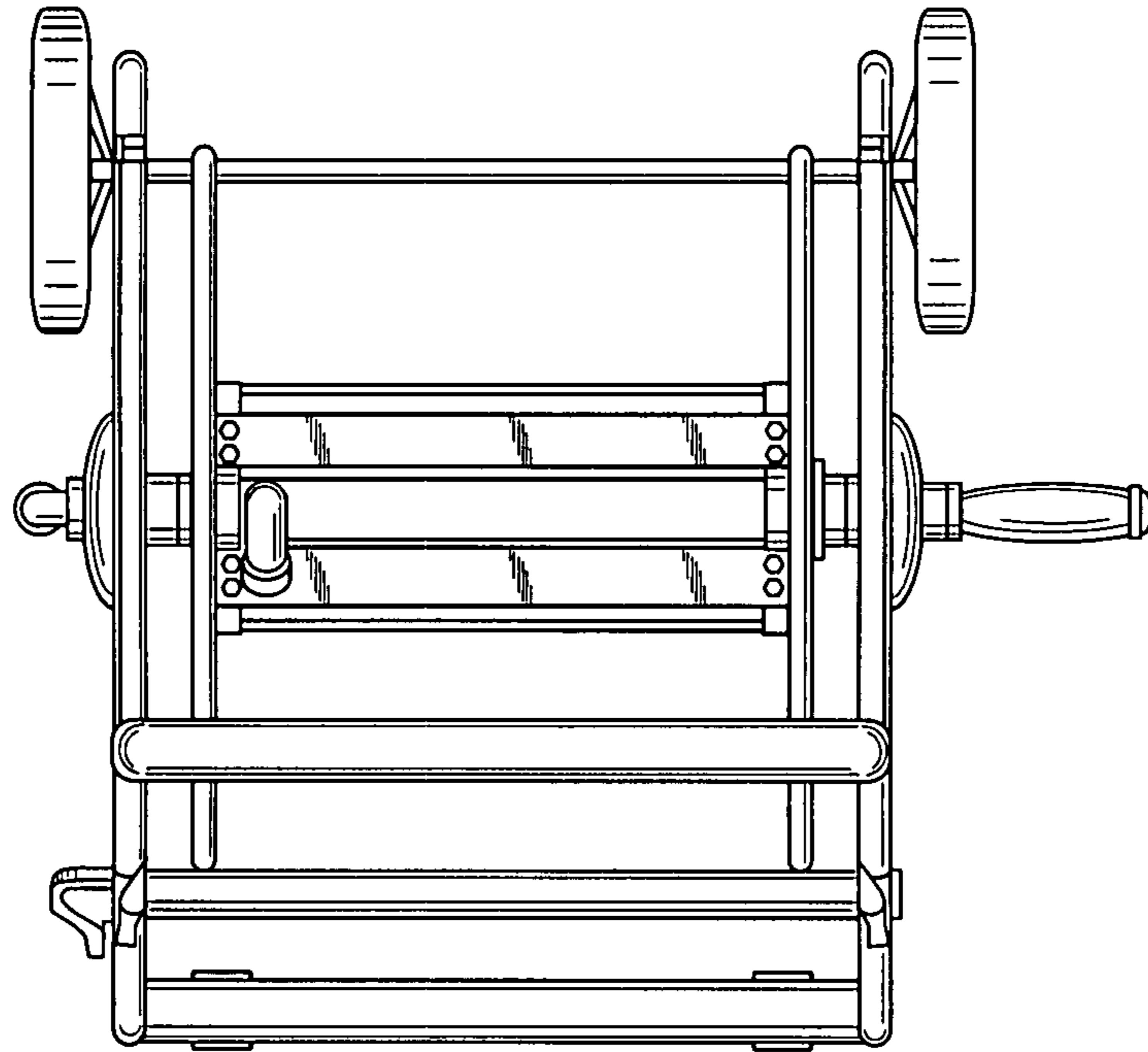


FIG. 6

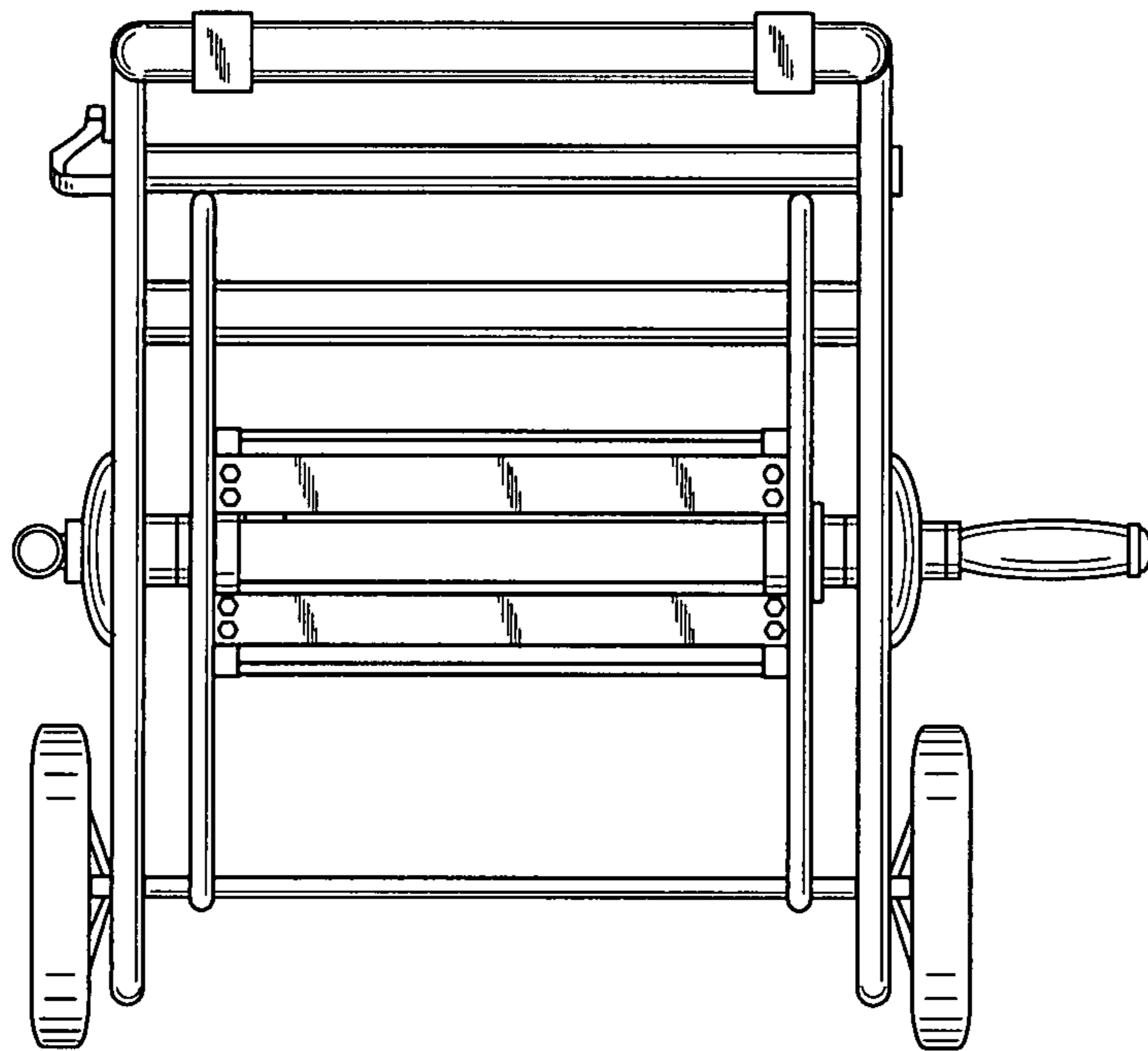


FIG. 7

UNITED STATES PATENT AND TRADEMARK OFFICE
CERTIFICATE OF CORRECTION

PATENT NO. : Des. 570,573 S
APPLICATION NO. : 29/291058
DATED : June 3, 2008
INVENTOR(S) : Peter Arcati et al.

Page 1 of 1

It is certified that error appears in the above-identified patent and that said Letters Patent is hereby corrected as shown below:

Title Page Item (75)

“First inventor named” should read -- Peter Arcati --

Signed and Sealed this

Thirtieth Day of September, 2008

A handwritten signature in black ink that reads "Jon W. Dudas". The signature is written in a cursive style with a large, looped initial "J".

JON W. DUDAS

Director of the United States Patent and Trademark Office