

US00D570571S

(12) **United States Design Patent**
Liao

(10) **Patent No.:** **US D570,571 S**

(45) **Date of Patent:** **** Jun. 3, 2008**

(54) **GOLF CART**

7,219,920 B2 * 5/2007 Lin 280/651
D549,421 S * 8/2007 Liao D34/15
D556,414 S * 11/2007 Gong et al. D34/15

(75) Inventor: **Gordon Liao**, Yung Kang (TW)

(73) Assignee: **Unique Product & Design Co., Ltd.**,
Tainan Hsien (TW)

* cited by examiner

Primary Examiner—Cynthia E Ramirez

(**) Term: **14 Years**

(74) *Attorney, Agent, or Firm*—Alan Kamrath; Kamrath &
Associates PA

(21) Appl. No.: **29/280,647**

(57) **CLAIM**

(22) Filed: **Jun. 4, 2007**

The ornamental design for a golf cart, as shown and
described.

(51) **LOC (8) Cl.** **12-13**

(52) **U.S. Cl.** **D34/15**

(58) **Field of Classification Search** D34/12-27;
280/646, 652, 47.24, 47.26, 654, 655, 33.991,
280/33.992, 33.993, 39, 40, 79.11
See application file for complete search history.

DESCRIPTION

(56) **References Cited**

U.S. PATENT DOCUMENTS

6,099,024 A * 8/2000 Liao 280/655
6,481,518 B1 * 11/2002 Wu 180/65.6
6,698,789 B2 * 3/2004 Reimers et al. 280/651
6,969,078 B2 * 11/2005 Liao 280/38
7,128,333 B2 * 10/2006 Reimers et al. 280/651
D531,778 S * 11/2006 Liao D34/15

FIG. 1 is a perspective view of a golf cart showing my new
design;

FIG. 2 is a front elevational view thereof;

FIG. 3 is a rear elevational view thereof;

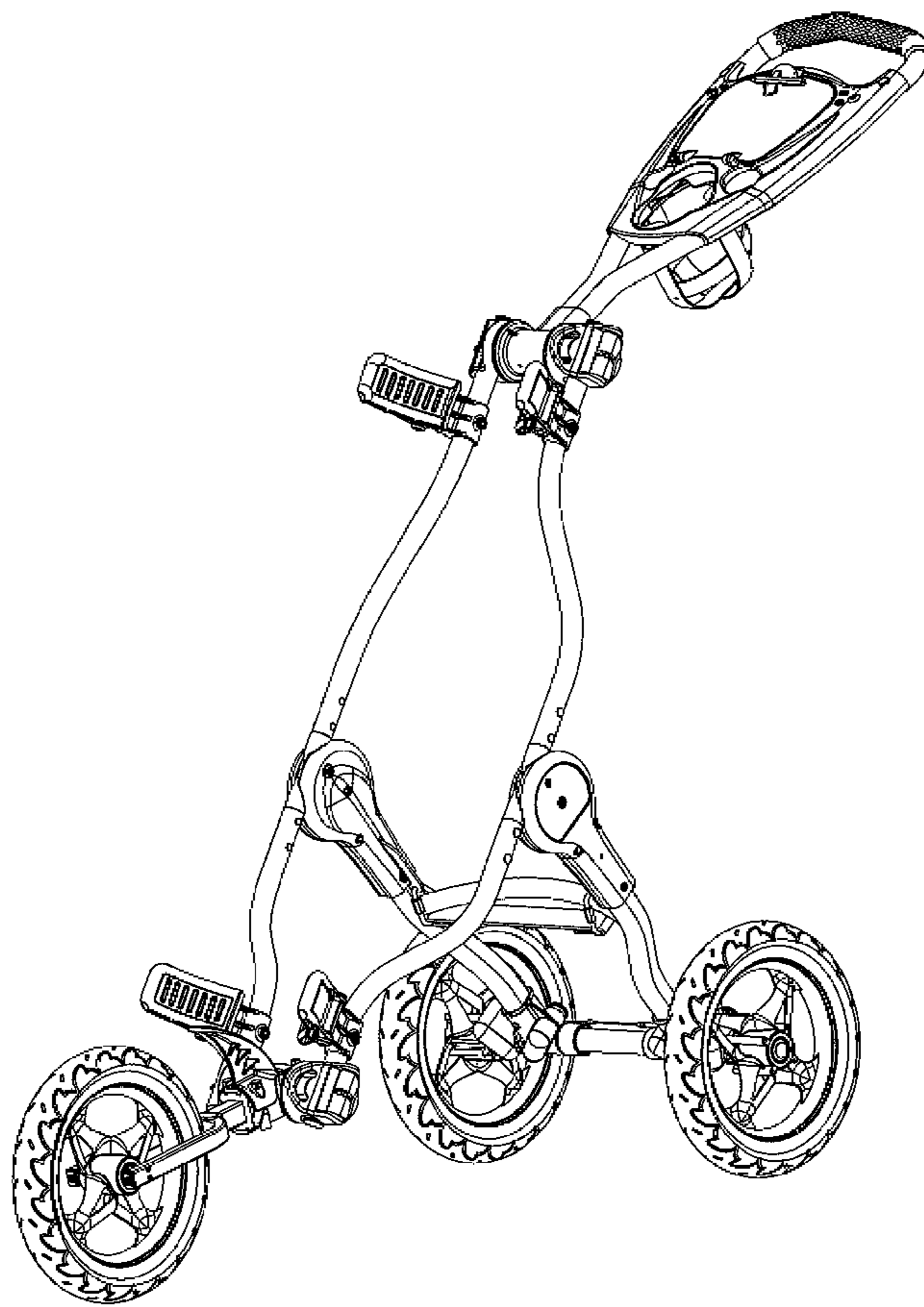
FIG. 4 is a left side elevational view thereof;

FIG. 5 is a right side elevational view thereof;

FIG. 6 is a top plan view thereof; and,

FIG. 7 is a bottom plan view thereof.

1 Claim, 7 Drawing Sheets



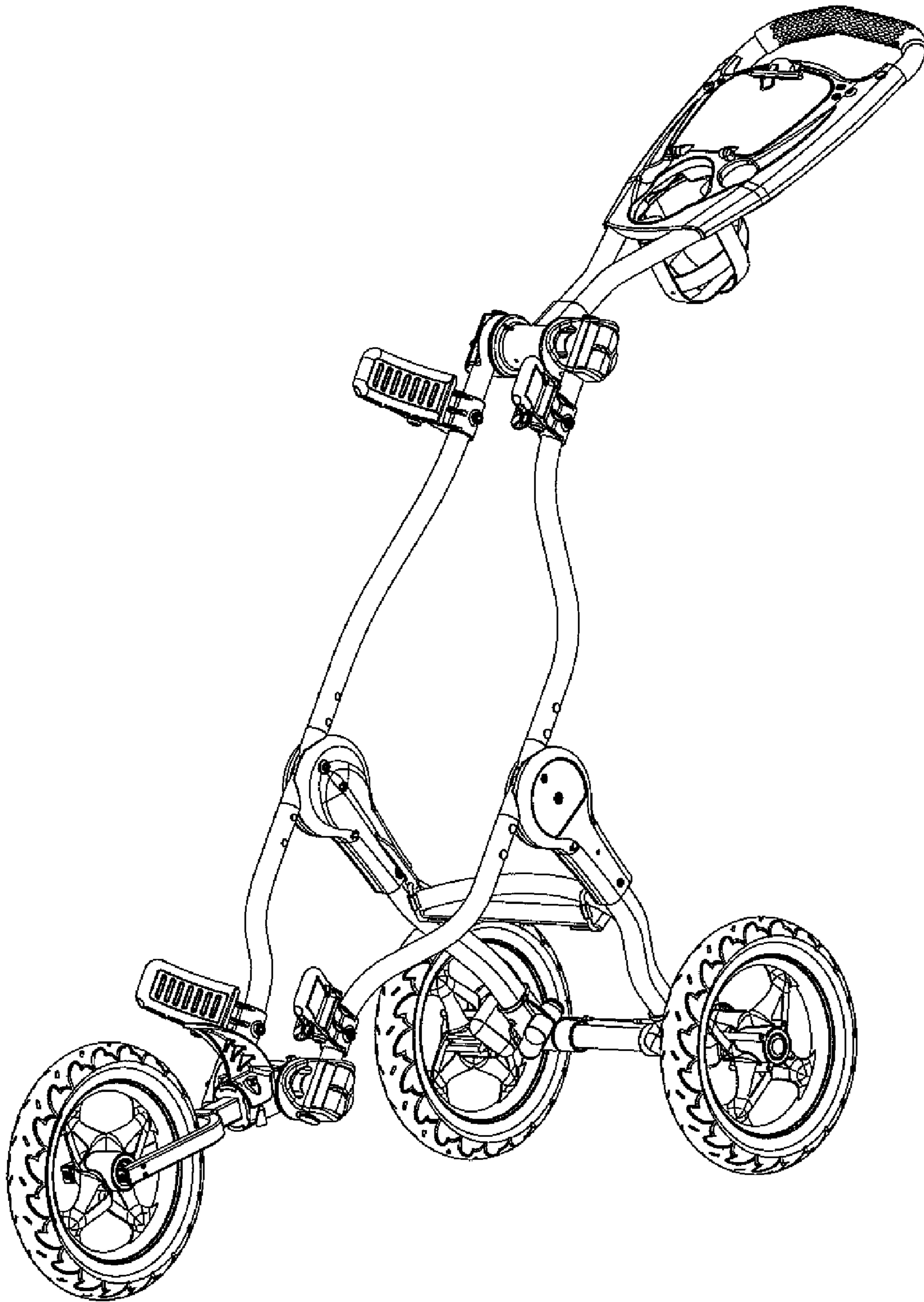


FIG. 1

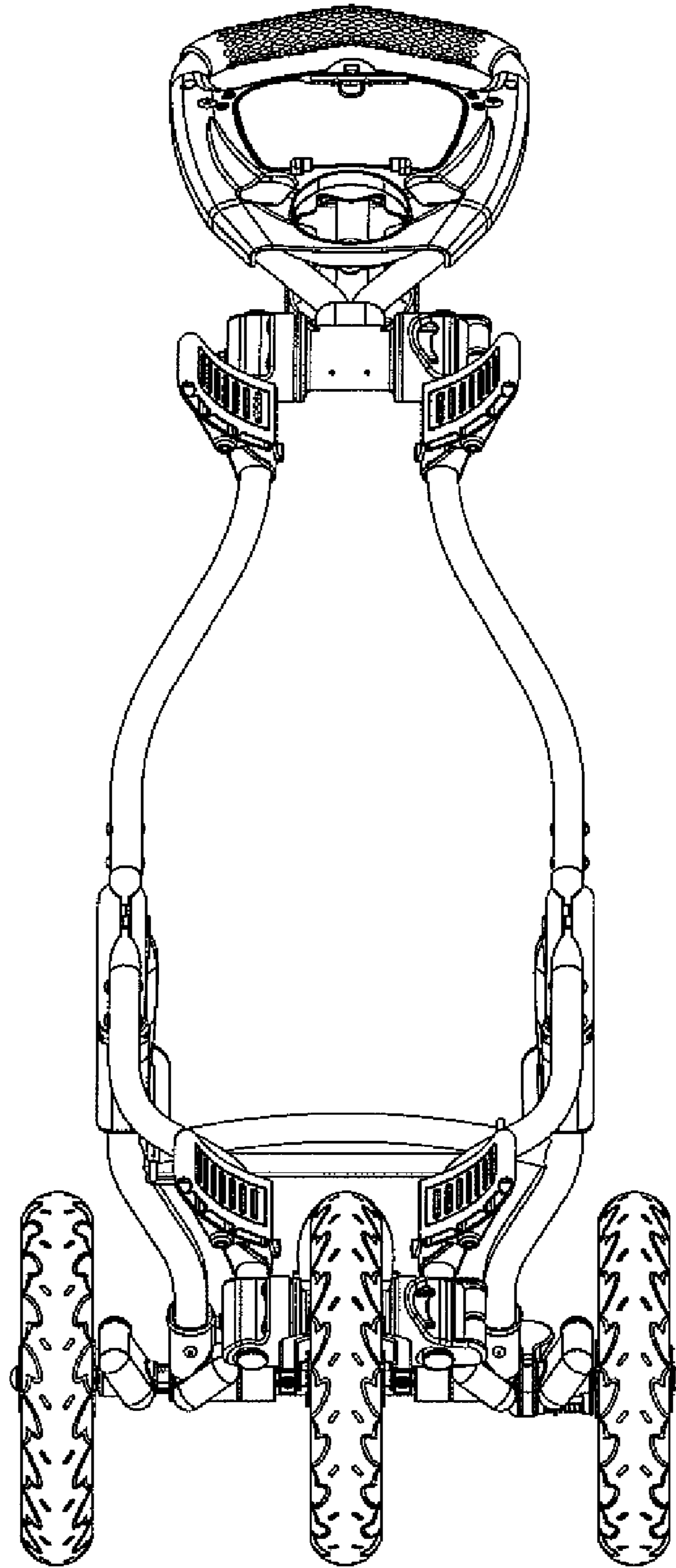


FIG. 2

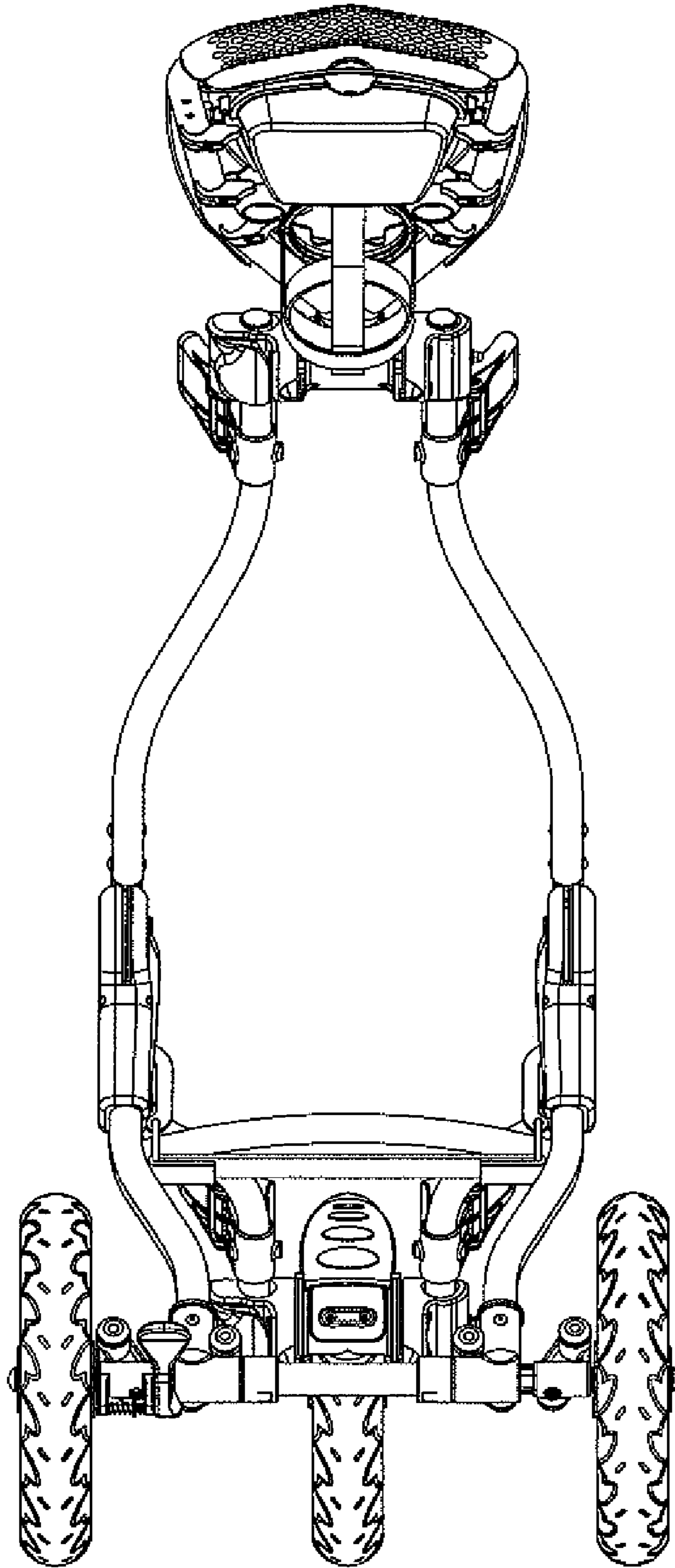


FIG. 3

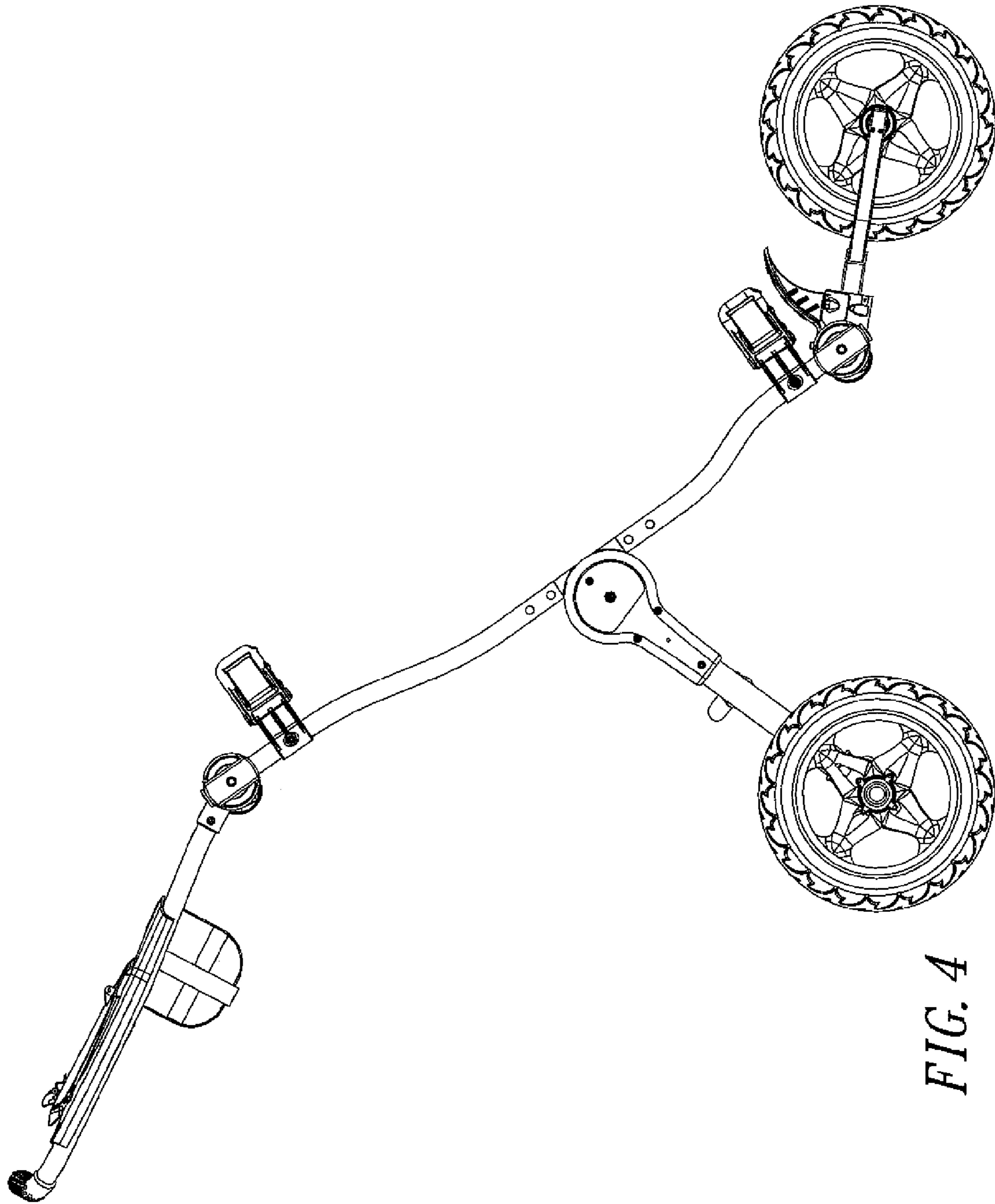


FIG. 4

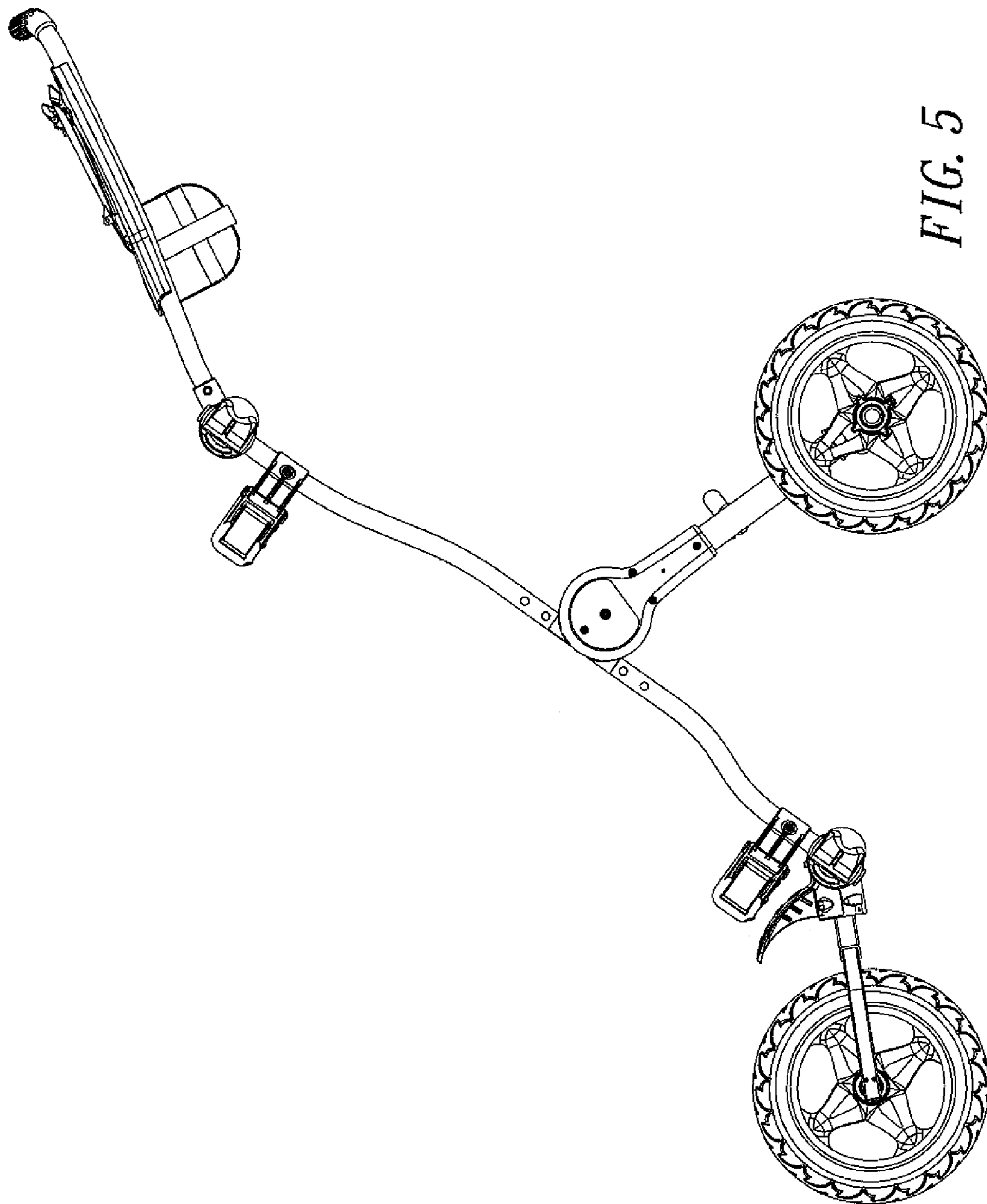


FIG. 5

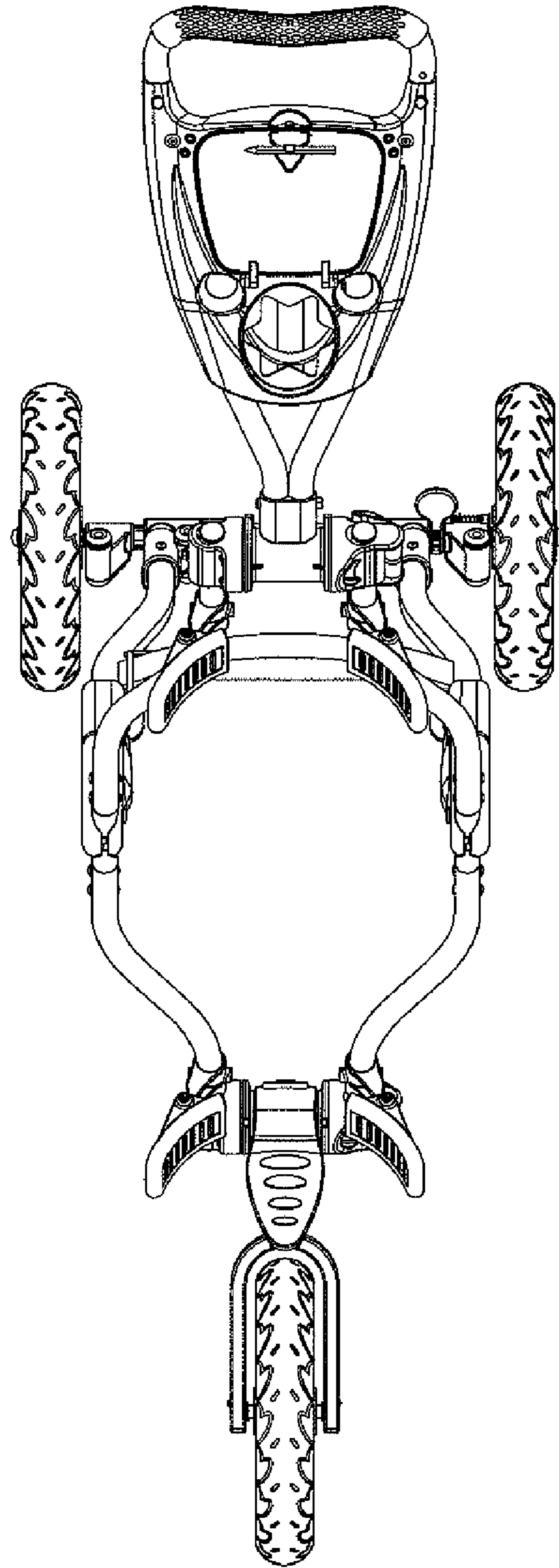


FIG. 6

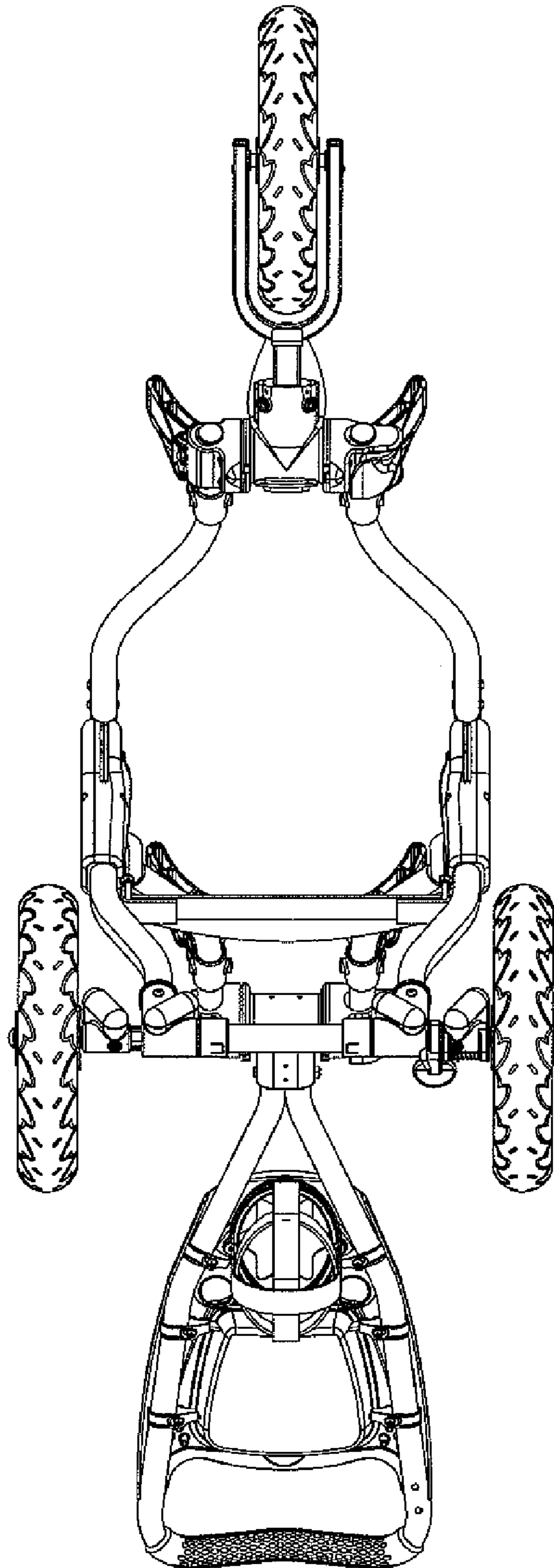


FIG. 7