

US00D570569S

(12) **United States Design Patent**  
**Brown**

(10) **Patent No.:** **US D570,569 S**  
(45) **Date of Patent:** **\*\* Jun. 3, 2008**

(54) **VACUUM CLEANER NOZZLE**  
(75) Inventor: **Morgan Brown**, Danville, KY (US)  
(73) Assignee: **Matsushita Electric Industrial Co., Ltd.**, Kadoma-shi (JP)  
(\*\*) Term: **14 Years**  
(21) Appl. No.: **29/282,883**  
(22) Filed: **Jul. 31, 2007**

D499,850 S 12/2004 Leyden  
D506,047 S \* 6/2005 Alford et al. .... D32/32  
D506,048 S 6/2005 Downey  
D508,153 S \* 8/2005 Alford et al. .... D32/32  
D521,199 S 5/2006 Leyden  
D522,198 S \* 5/2006 Coombs et al. .... D32/33  
D527,505 S 8/2006 Kaido  
D541,498 S \* 4/2007 Moine et al. .... D32/32  
D544,663 S \* 6/2007 Medema et al. .... D32/32  
D553,314 S \* 10/2007 Parr et al. .... D32/32

\* cited by examiner

(51) **LOC (8) Cl.** ..... **15-05**  
(52) **U.S. Cl.** ..... **D32/32**  
(58) **Field of Classification Search** ..... D32/22,  
D32/31-34; 15/321-322, 353, 324, 334,  
15/347, 350-352, 415.1-422, 422.1, 361,  
15/363, 374, 410-412; 34/84-85, 95.1, 633,  
34/635, 638, 229

*Primary Examiner*—Ruth McInroy  
(74) *Attorney, Agent, or Firm*—Christensen O'Connor Johnson Kindness PLLC

See application file for complete search history.

(57) **CLAIM**

The ornamental design for a vacuum cleaner nozzle, as shown and described.

(56) **References Cited**

**DESCRIPTION**

**U.S. PATENT DOCUMENTS**

D325,658 S 4/1992 Brewin  
D335,556 S 5/1993 Kuriya  
D368,559 S 4/1996 Abe  
D368,994 S 4/1996 Abe  
D379,692 S 6/1997 Abe  
D387,517 S 12/1997 Abe  
D423,741 S 4/2000 Sato  
D426,356 S 6/2000 Tsuruha  
D427,399 S \* 6/2000 Thur et al. .... D32/33  
D439,383 S \* 3/2001 Salo et al. .... D32/32  
D462,813 S 9/2002 Nakano  
D463,078 S 9/2002 Harada  
D487,602 S \* 3/2004 Roberts et al. .... D32/32  
D487,827 S 3/2004 Iike  
D487,828 S 3/2004 Iike  
D498,029 S 11/2004 Downey

FIG. 1 is a perspective view of the top, front and right side of a vacuum cleaner nozzle showing my new design;

FIG. 2 is a front view thereof;

FIG. 3 is a top plan view thereof;

FIG. 4 is a bottom view thereof;

FIG. 5 is a right side view thereof;

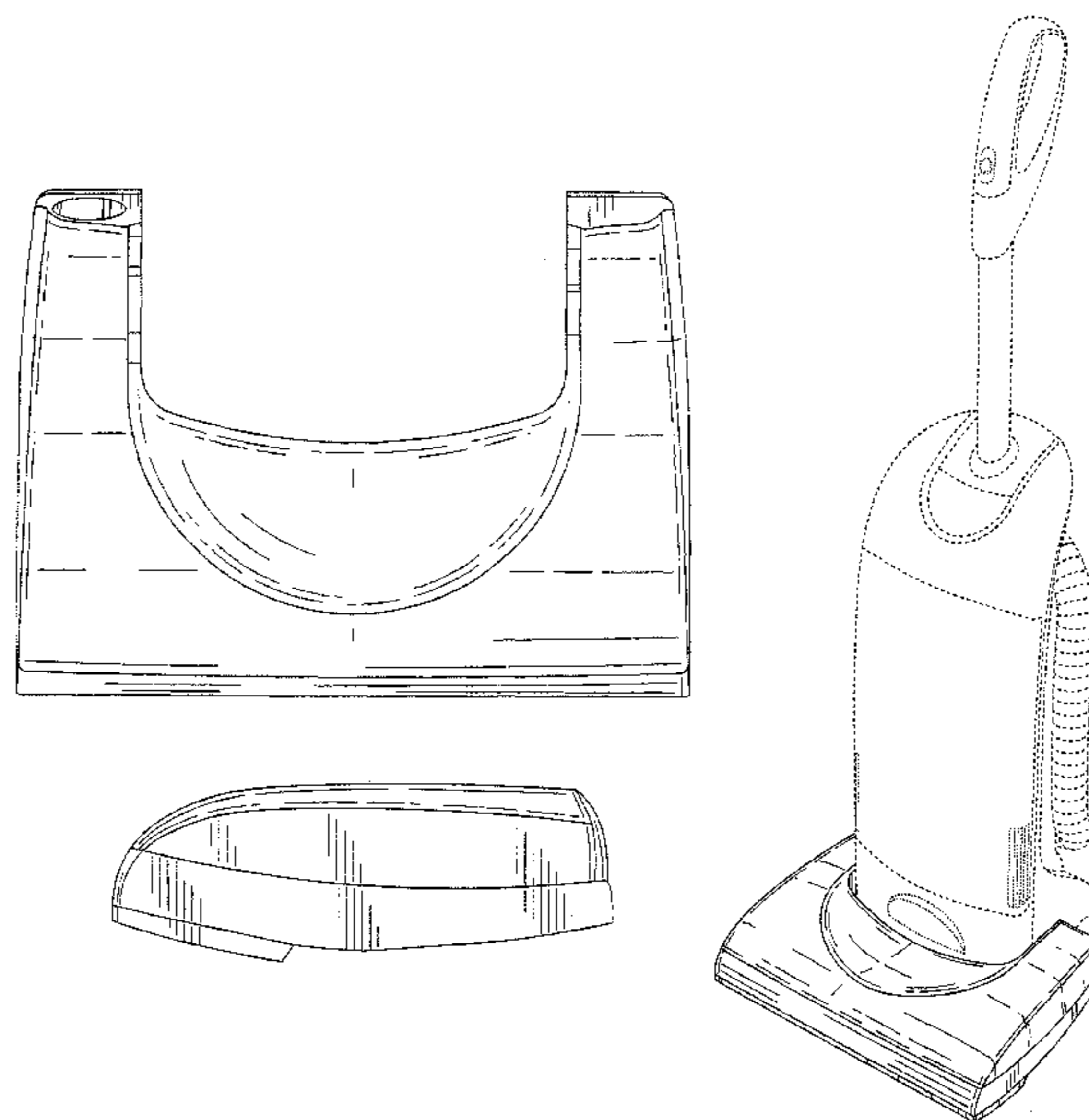
FIG. 6 is a left side view thereof;

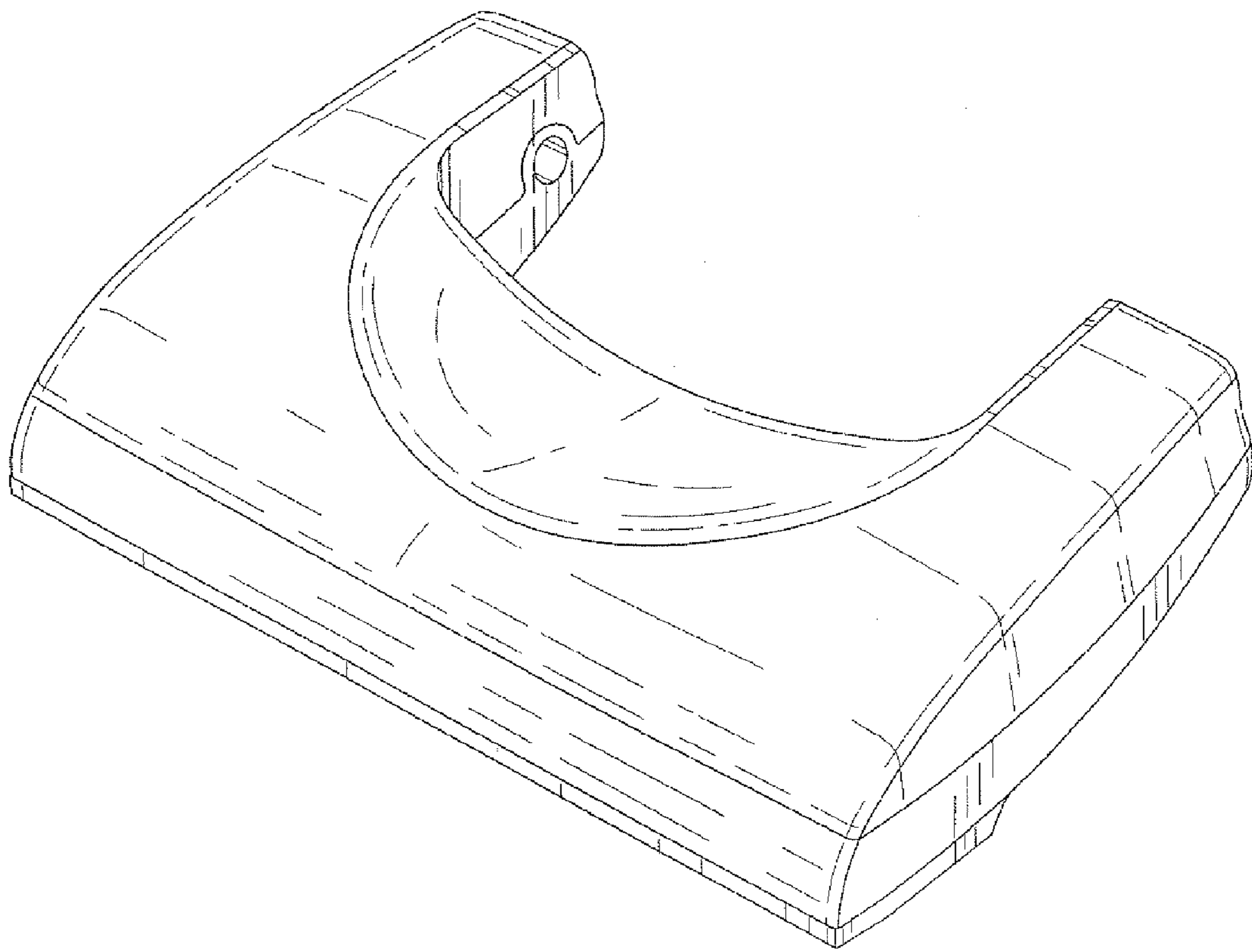
FIG. 7 is a rear view thereof; and,

FIG. 8 is a perspective view of the usage thereof.

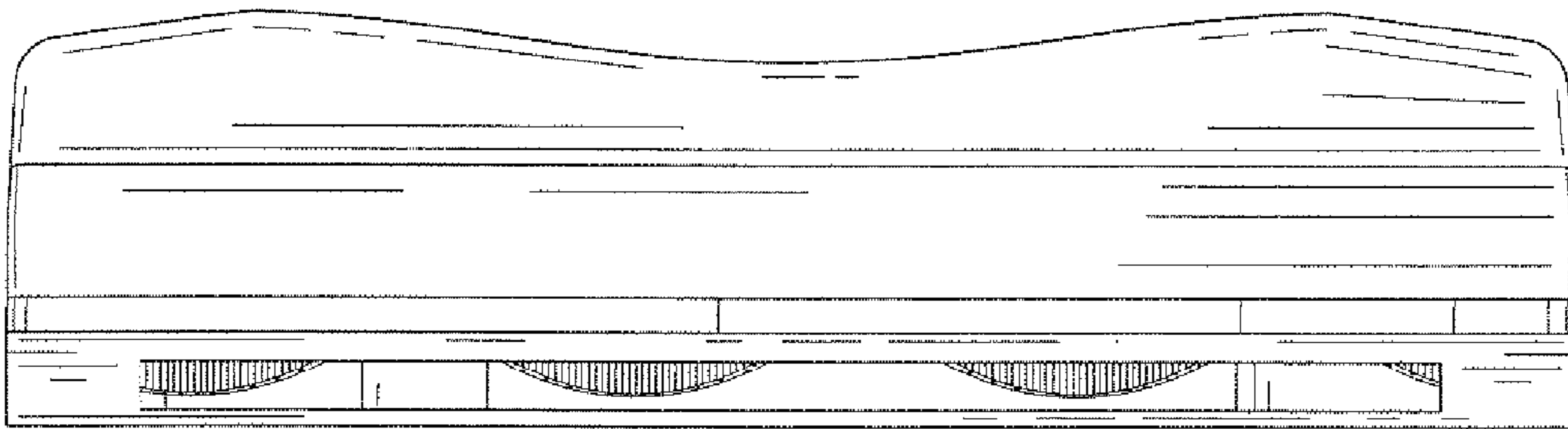
The portions of the article in broken lines are shown for illustrative purposes only and form no part of the claimed design.

**1 Claim, 8 Drawing Sheets**

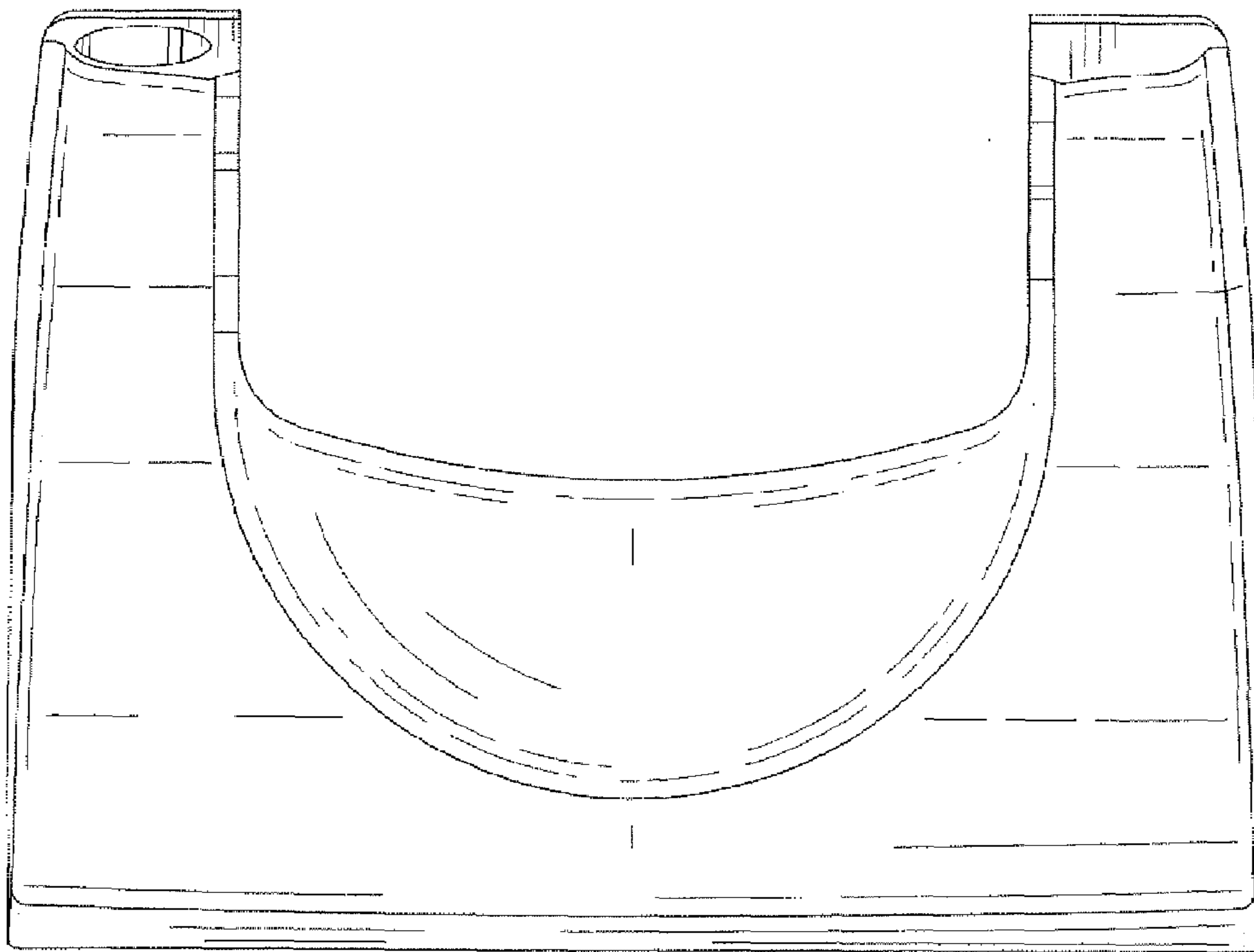




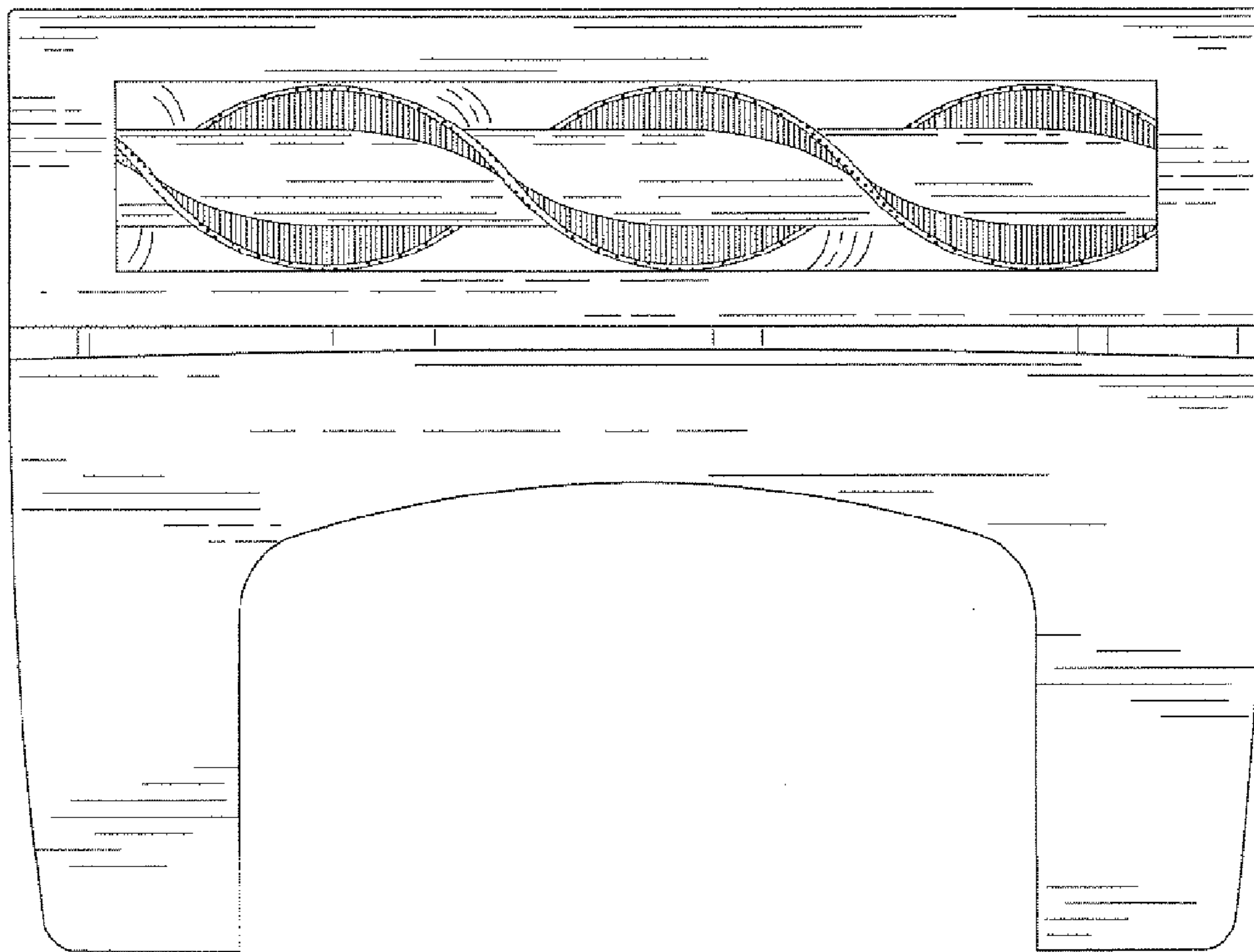
*Fig.1.*



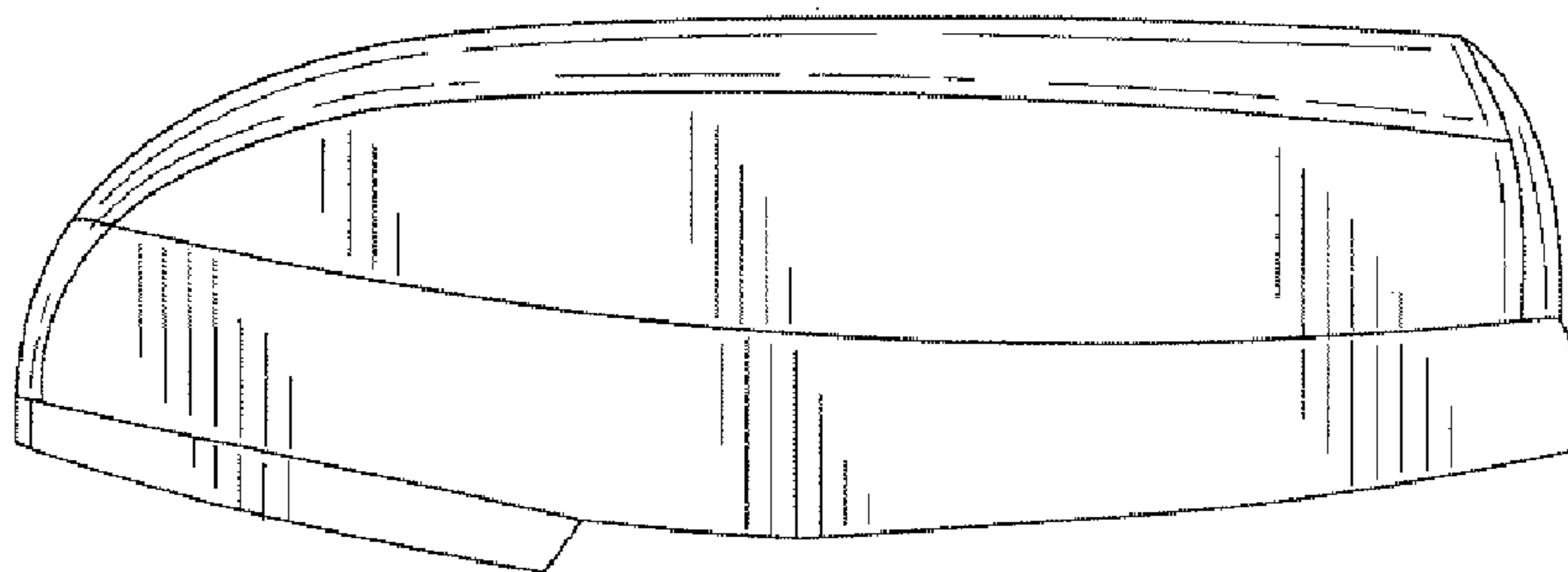
*Fig.2.*



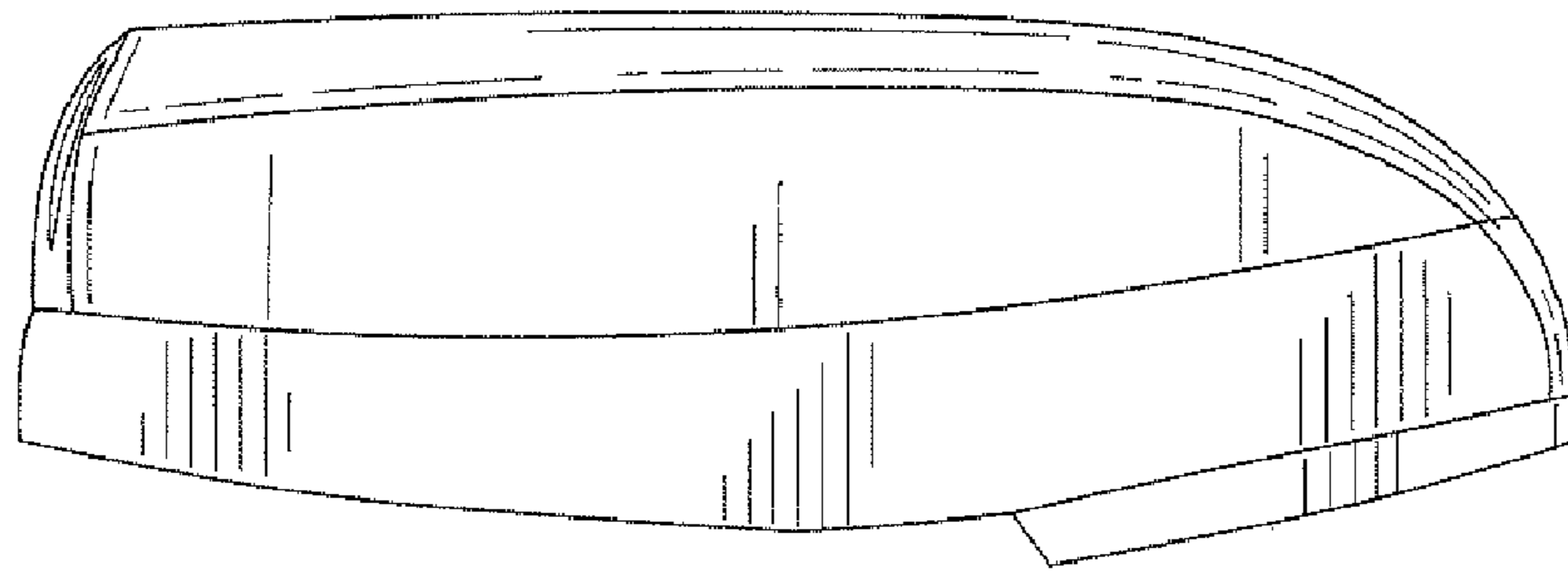
*Fig.3*



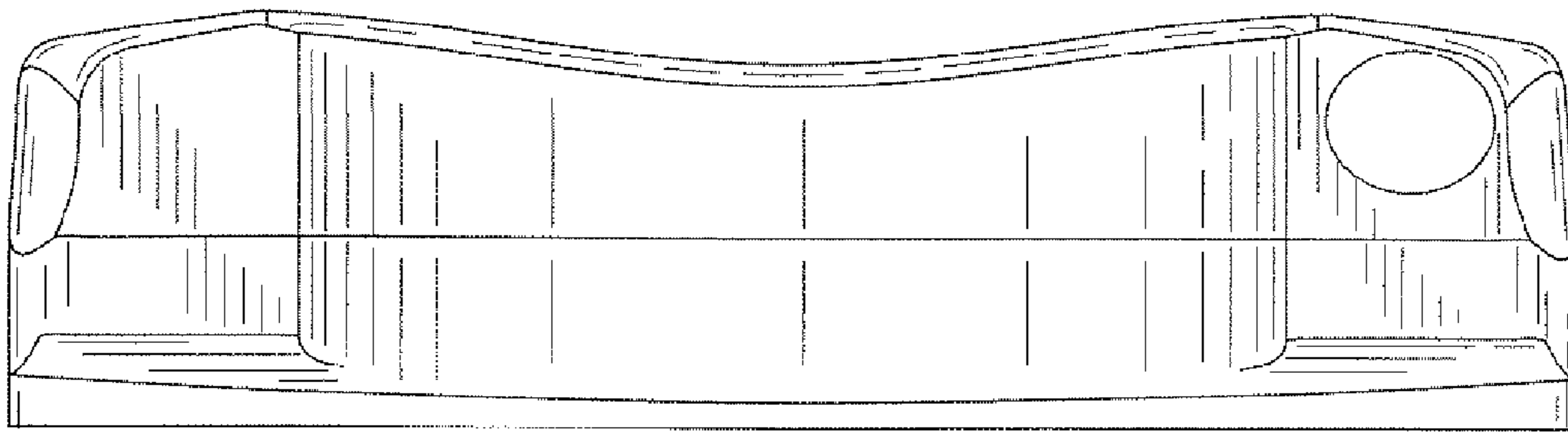
*Fig.4*



*Fig.5*



*Fig.6*



*Fig.7*



*Fig.8*

