



US00D570567S

(12) **United States Design Patent**  
**Umeda et al.**

(10) **Patent No.:** **US D570,567 S**  
(45) **Date of Patent:** **\*\* Jun. 3, 2008**

(54) **VACUUM CLEANER**  
(75) Inventors: **Masakazu Umeda**, Osaka (JP); **Taro Iike**, Osaka (JP); **Hisashi Yoshida**, Osaka (JP); **Morgan Brown**, Danville, KY (US)  
(73) Assignee: **Matsushita Electric Industrial Co., Ltd.**, Kadoma-shi (JP)

D398,095 S 9/1998 Sato  
D403,480 S 12/1998 Diebel  
D419,730 S 1/2000 Diebel  
D432,282 S \* 10/2000 Hamm et al. .... D32/22  
D506,043 S \* 6/2005 Kim ..... D32/22  
D515,754 S \* 2/2006 Kaido et al. .... D32/22  
D527,505 S \* 8/2006 Kaido et al. .... D32/22  
D529,245 S \* 9/2006 Dammkoehler ..... D32/22  
D539,493 S \* 3/2007 Crevling et al. .... D32/22

(\*\*) Term: **14 Years**  
(21) Appl. No.: **29/282,882**  
(22) Filed: **Jul. 31, 2007**

\* cited by examiner  
*Primary Examiner*—Ruth McInroy  
(74) *Attorney, Agent, or Firm*—Christensen, O'Connor Johnson Kindness PLLC

(51) **LOC (8) Cl.** ..... **15-05**  
(52) **U.S. Cl.** ..... **D32/31**  
(58) **Field of Classification Search** ..... D32/22,  
D32/31-34; 15/321-322, 353, 324, 334,  
15/347, 350-352, 415.1-422, 422.1, 361,  
15/363, 374, 410-412; 34/84-85, 95.1, 633,  
34/635, 638, 229  
See application file for complete search history.

(57) **CLAIM**

The ornamental design for a vacuum cleaner, as shown and described.

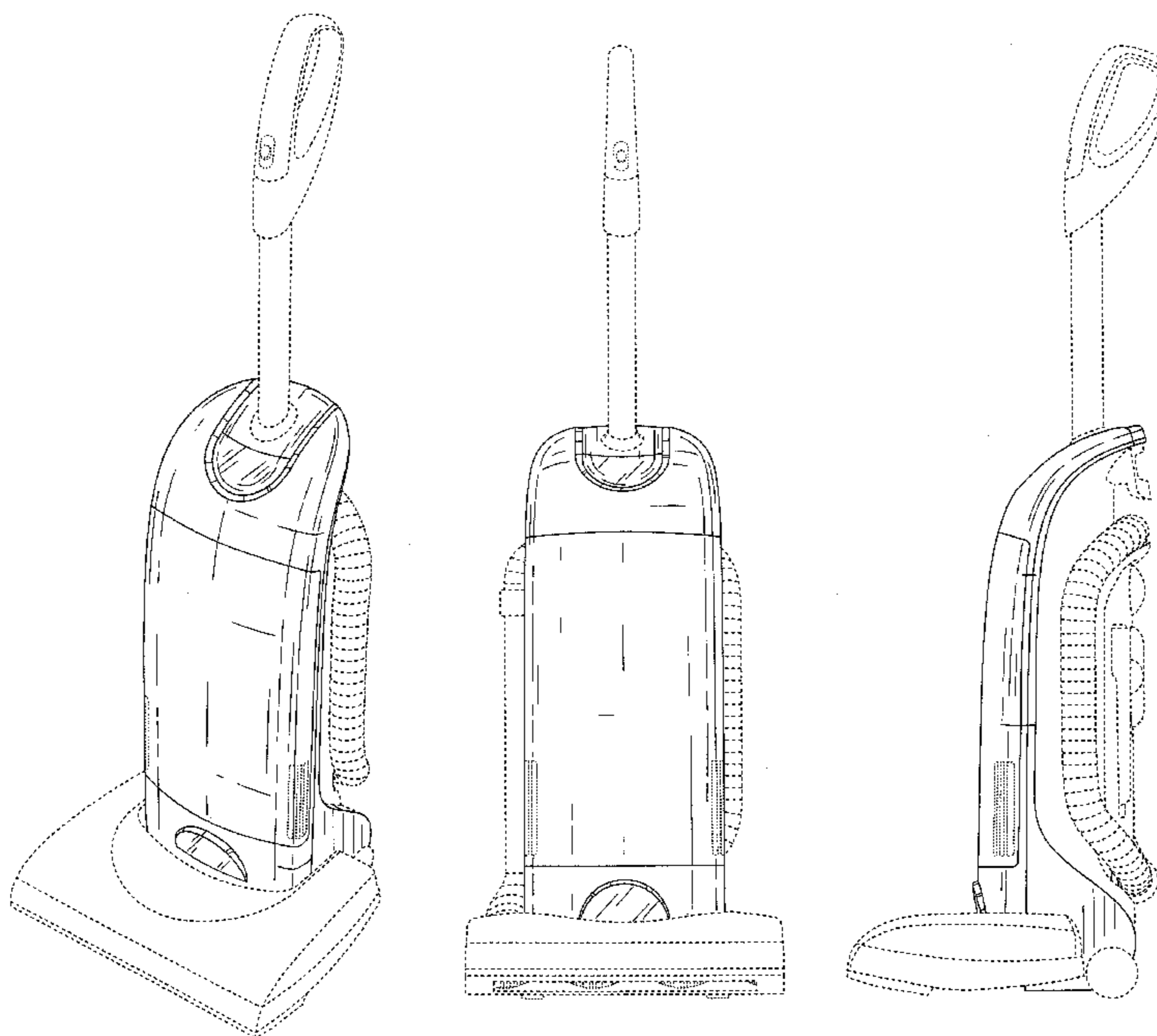
**DESCRIPTION**

FIG. 1 is a perspective view of the top, front and right side of a vacuum cleaner showing our new design;  
FIG. 2 is a front view thereof;  
FIG. 3 is a top plan view thereof;  
FIG. 4 is a bottom view thereof;  
FIG. 5 is a right side view thereof;  
FIG. 6 is a left side view thereof; and,  
FIG. 7 is a rear view thereof.

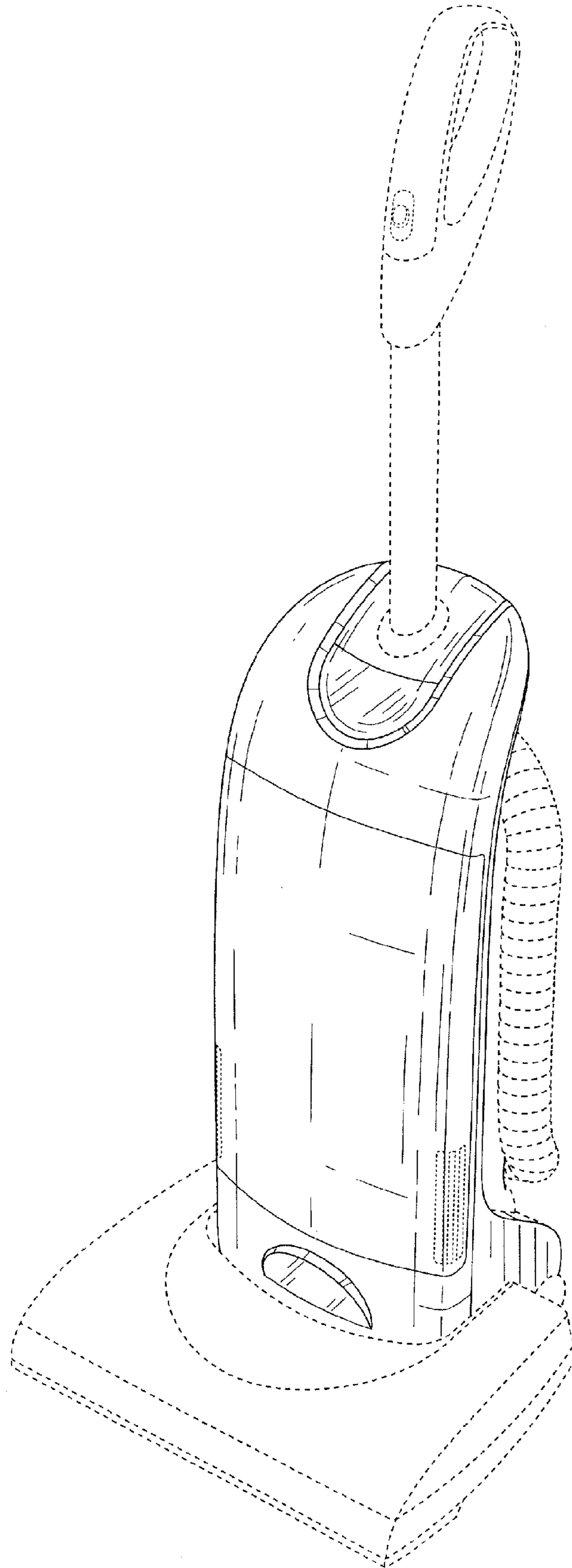
The portions of the article in broken lines are shown for illustrative purposes only and form no part of the claimed design.

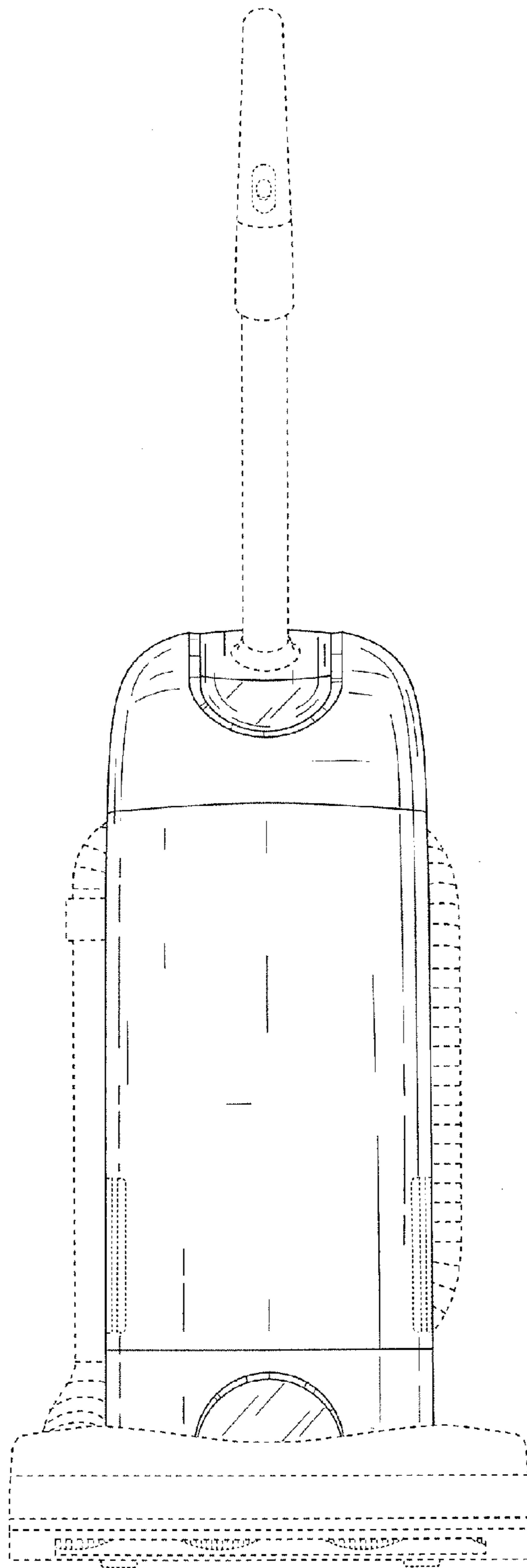
(56) **References Cited**  
U.S. PATENT DOCUMENTS  
D325,657 S 4/1992 Brewin  
D327,145 S 6/1992 Kuriya  
D347,500 S 5/1994 Abe  
D354,379 S \* 1/1995 Shinozaki ..... D32/22  
D358,236 S 5/1995 Kopco  
D358,913 S 5/1995 Sugiyama  
D368,560 S 4/1996 Abe  
D371,652 S 7/1996 Umbach  
D391,701 S 3/1998 Sato  
D398,094 S 9/1998 Sato

**1 Claim, 7 Drawing Sheets**

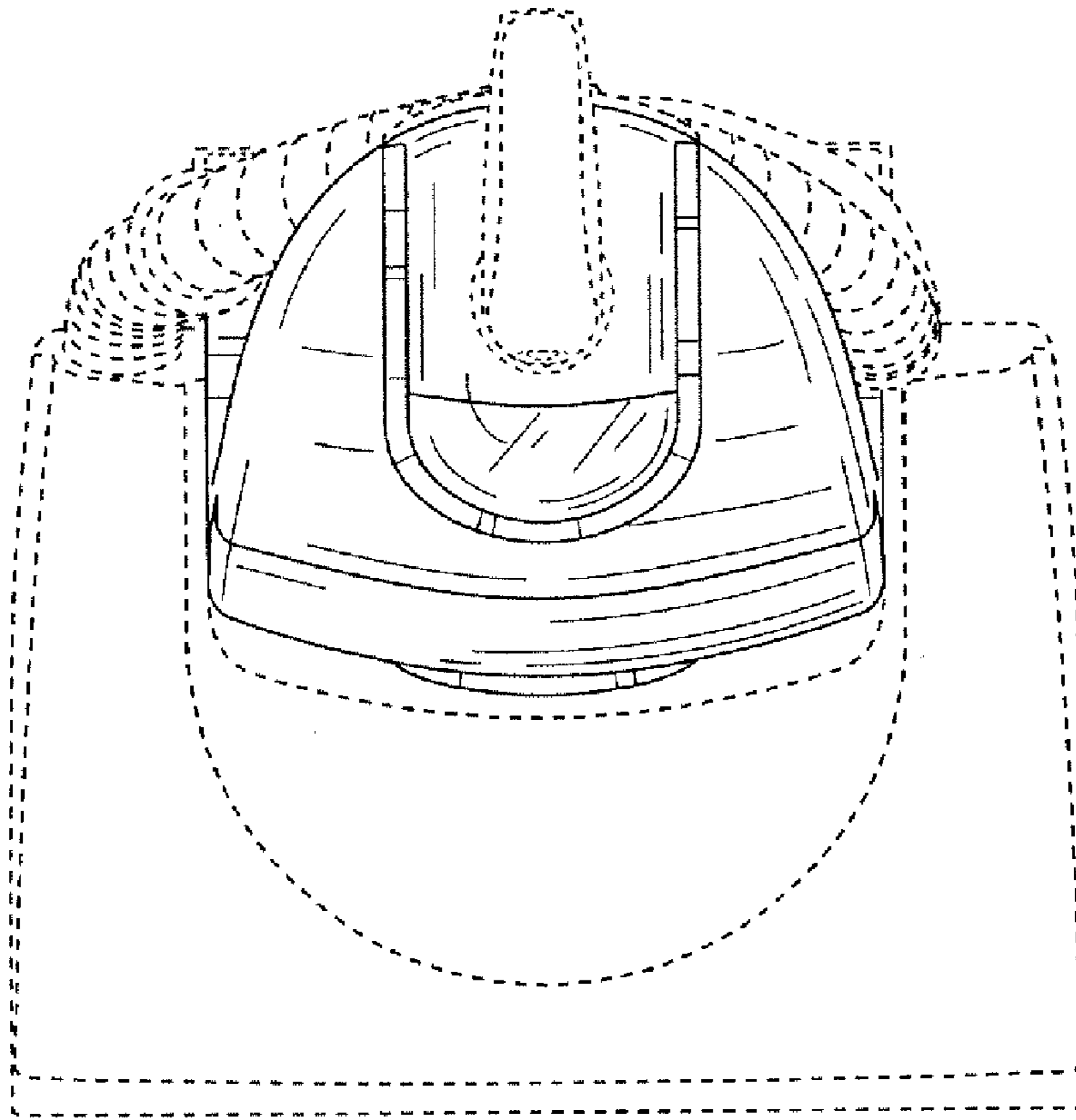


*Fig.1.*

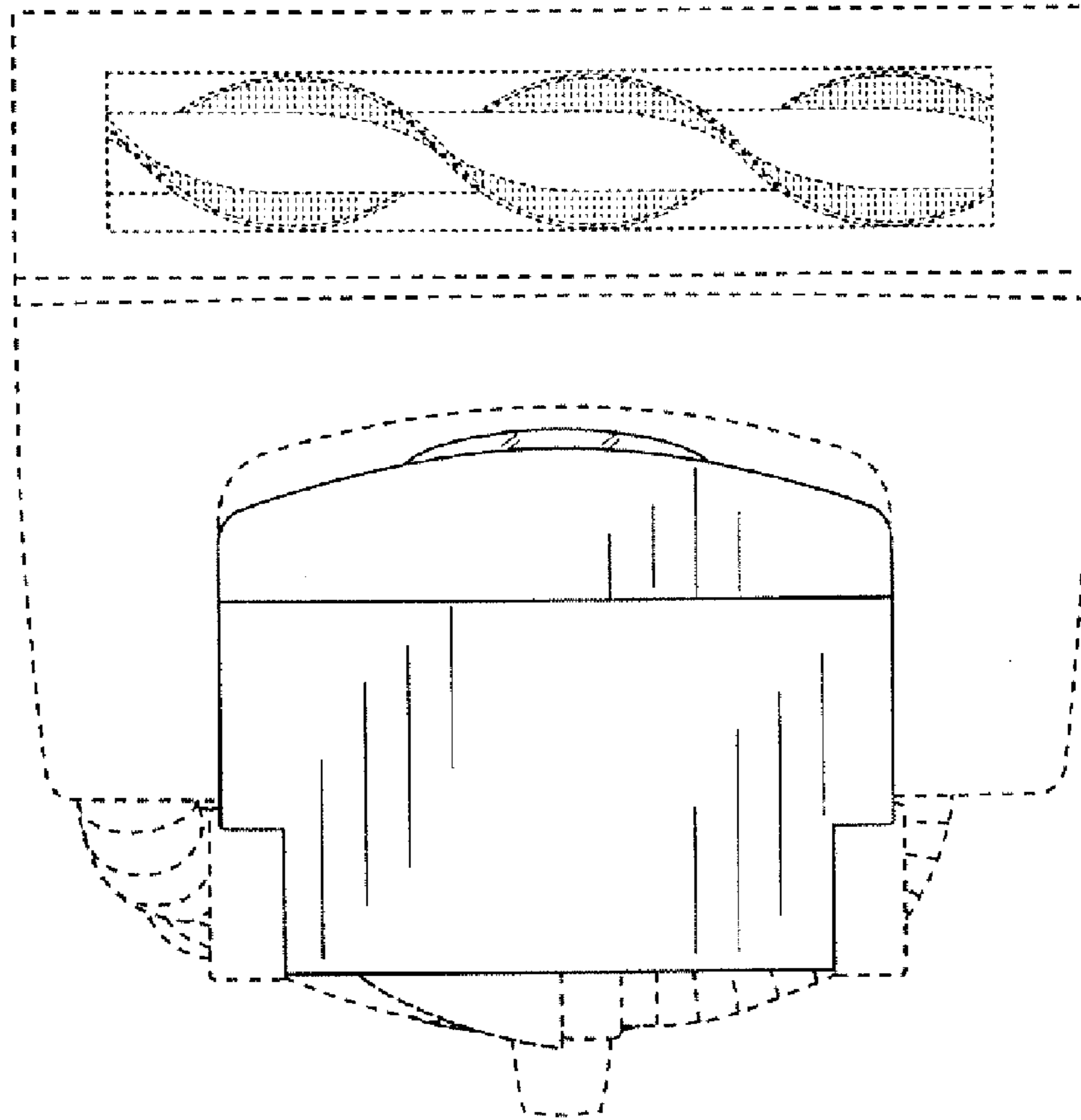




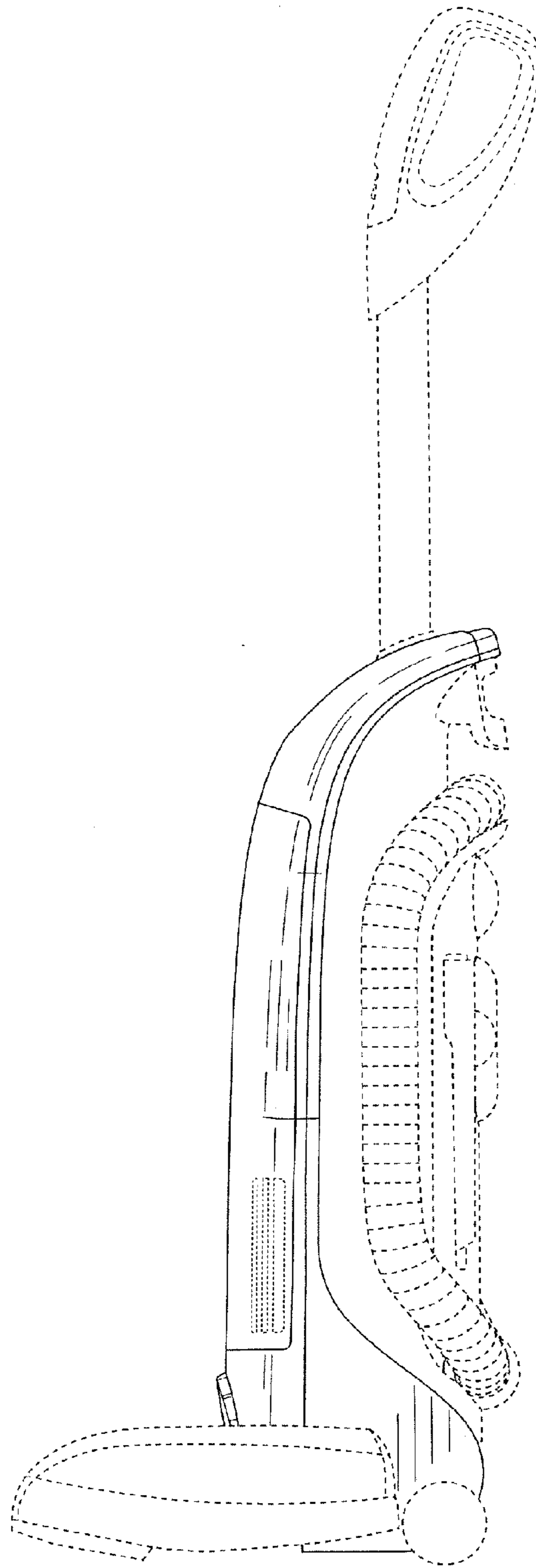
*Fig.2.*



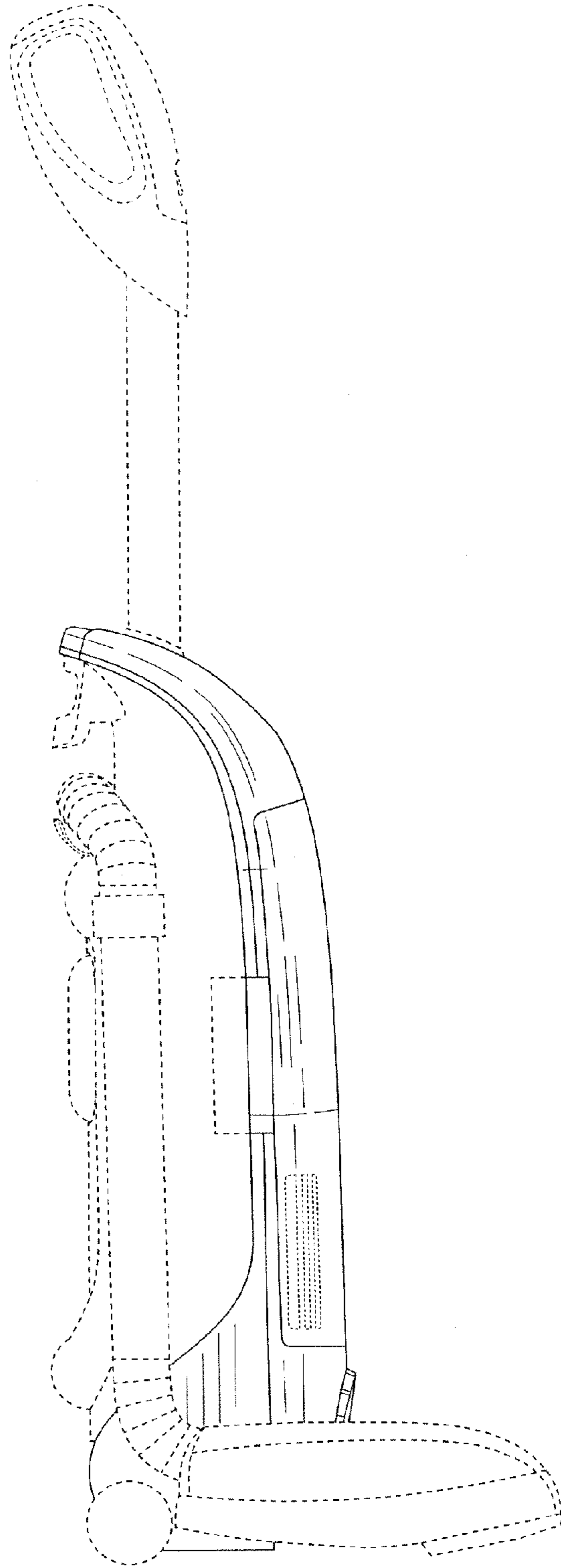
*Fig.3*



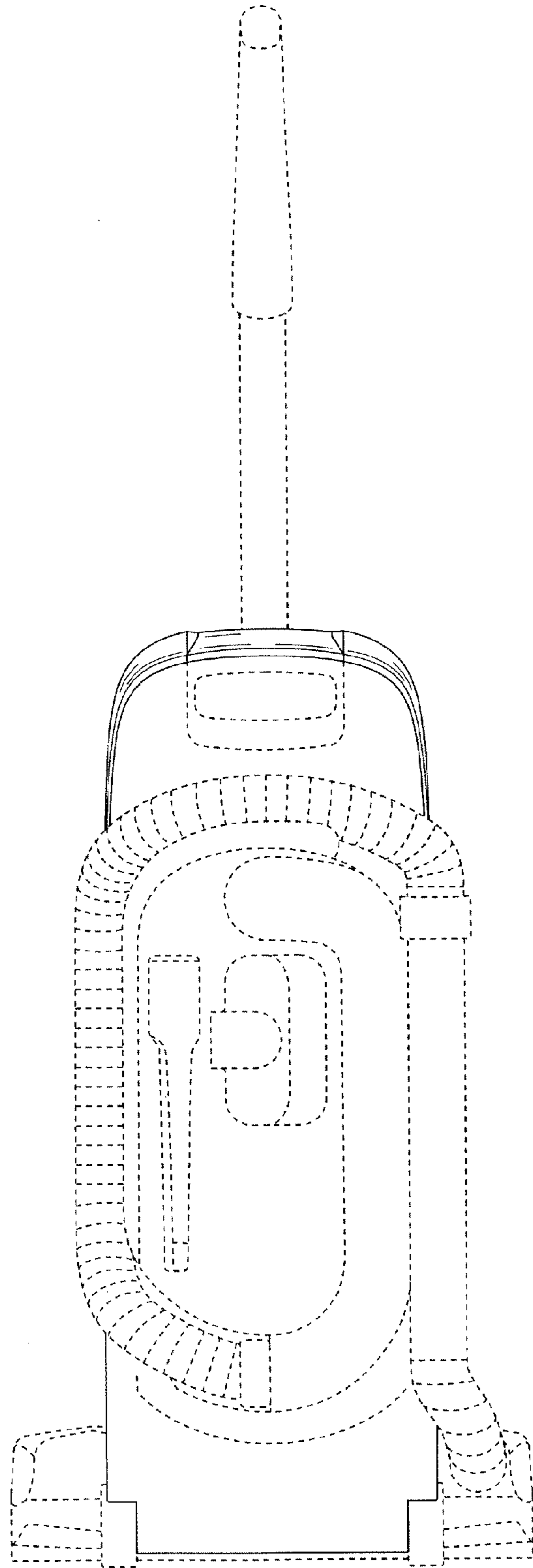
*Fig.4*



*Fig.5*



*Fig.6*



*Fig. 7*