

US00D570565S

(12) **United States Design Patent**  
**Paredes et al.**

(10) **Patent No.:** **US D570,565 S**

(45) **Date of Patent:** **\*\* Jun. 3, 2008**

(54) **VACUUM CLEANER HOUSING**

D533,696 S \* 12/2006 Ikeno et al. .... D32/22

\* cited by examiner

(75) Inventors: **Apollo Paul Paredes**, Boston, MA  
(US); **Randall Sandlin**, Bloomington,  
IL (US); **Vincent Bobrosky**, Normal, IL  
(US)

*Primary Examiner*—Ruth McInroy

(74) *Attorney, Agent, or Firm*—Hunton & Williams

(73) Assignee: **Electrolux Home Care Products, Inc.**,  
Cleveland, OH (US)

(57) **CLAIM**

The ornamental design for a vacuum cleaner housing, as  
shown and described.

(\*\*) Term: **14 Years**

**DESCRIPTION**

(21) Appl. No.: **29/280,659**

FIG. 1 is an isometric view of a vacuum cleaner housing  
showing the claimed design.

(22) Filed: **Jun. 4, 2007**

FIG. 2 is a front elevation view of the vacuum cleaner  
housing of FIG. 1.

(51) **LOC (8) Cl.** ..... **15-05**

(52) **U.S. Cl.** ..... **D32/31**

FIG. 3 is a rear elevation view of the vacuum cleaner  
housing of FIG. 1.

(58) **Field of Classification Search** ..... D32/22,  
D32/31-34; 15/321-322, 353, 324, 334,  
15/347, 350-352, 415.1-422, 422.1, 361,  
15/363, 374, 410-412; 34/84-85, 95.1, 633,  
34/635, 638, 229

FIG. 4 is a right elevation view of the vacuum cleaner  
housing of FIG. 1.

See application file for complete search history.

FIG. 5 is a left elevation view of the vacuum cleaner housing  
of FIG. 1.

(56) **References Cited**

FIG. 6 is a top plan view of the vacuum cleaner housing of  
FIG. 1; and,

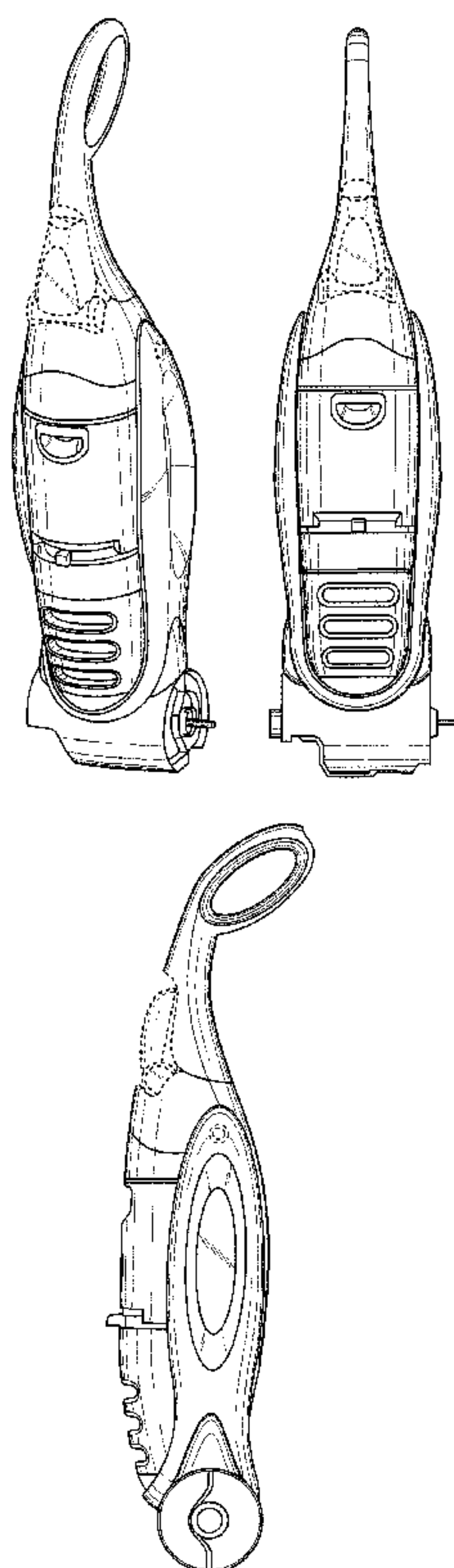
**U.S. PATENT DOCUMENTS**

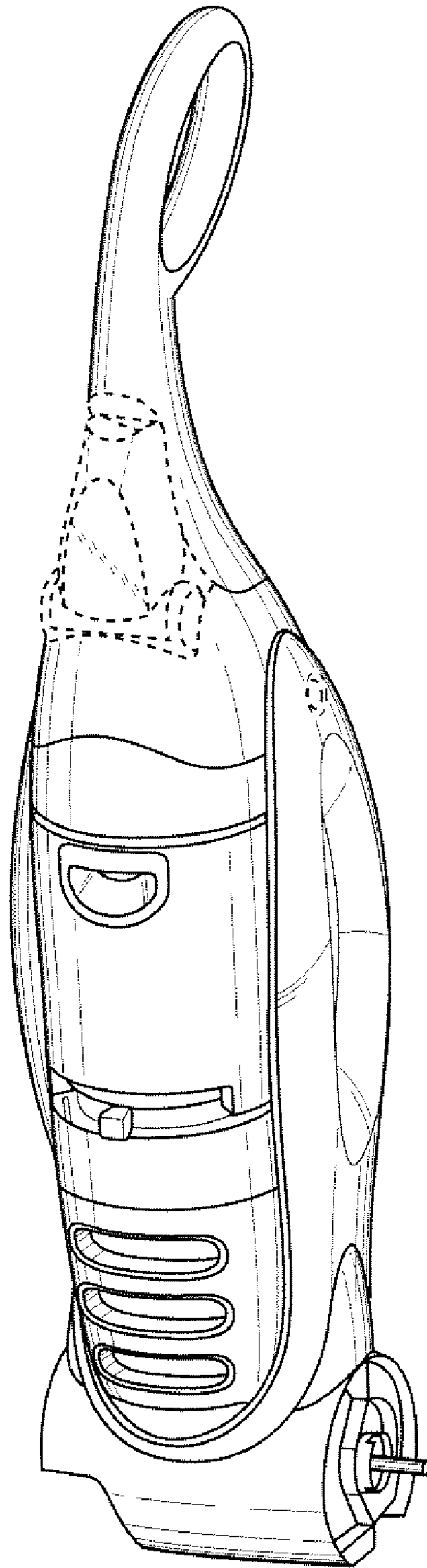
FIG. 7 is a bottom plan view of the vacuum cleaner housing  
of FIG. 1.

D426,357 S \* 6/2000 Tsuruha et al. .... D32/22  
D487,323 S \* 3/2004 Leyden et al. .... D32/22  
D506,043 S \* 6/2005 Kim ..... D32/22  
D509,932 S \* 9/2005 Shin ..... D32/22  
D521,698 S \* 5/2006 Rosenzweig et al. .... D32/22

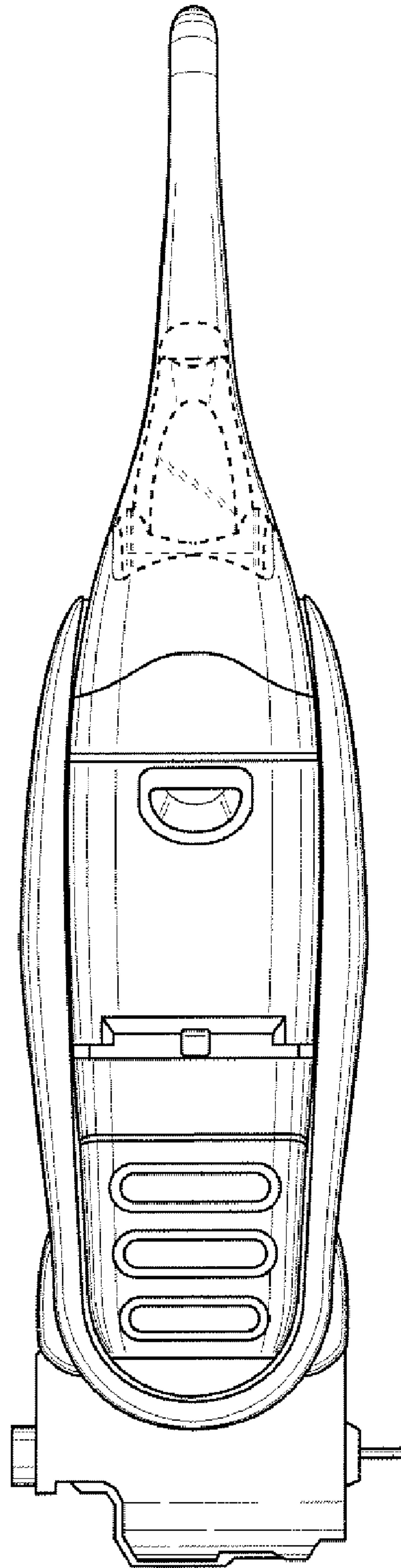
The broken lines represent environment that forms no part of  
the claimed design.

**1 Claim, 6 Drawing Sheets**

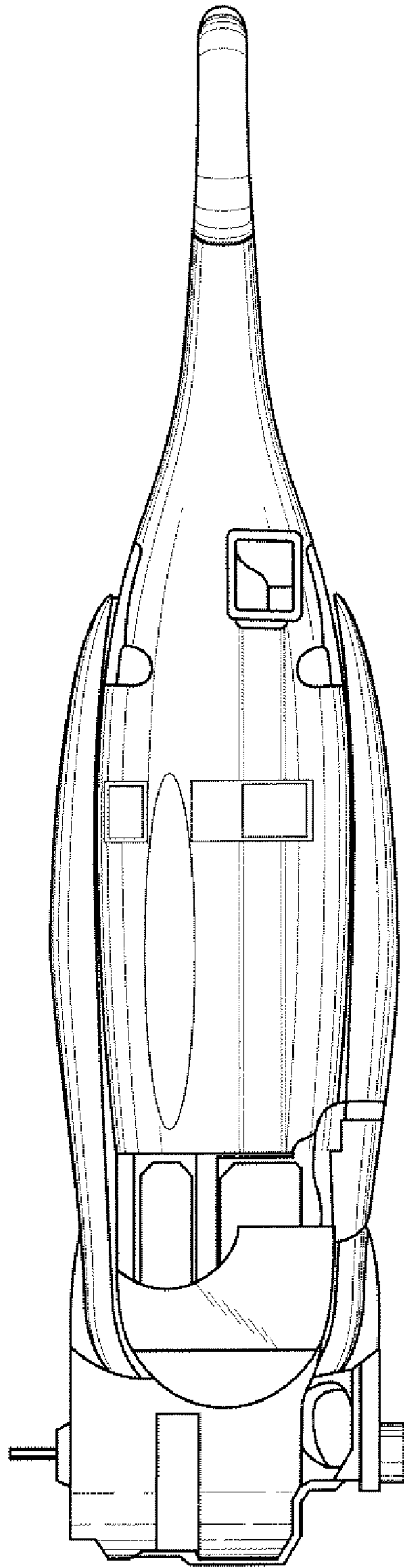




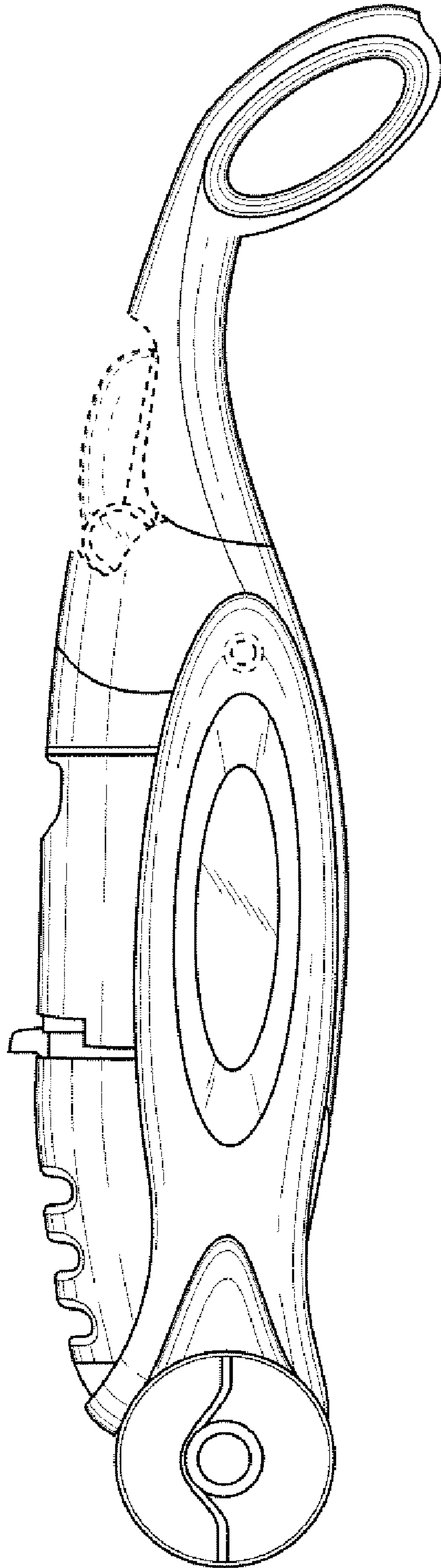
**Fig. 1**



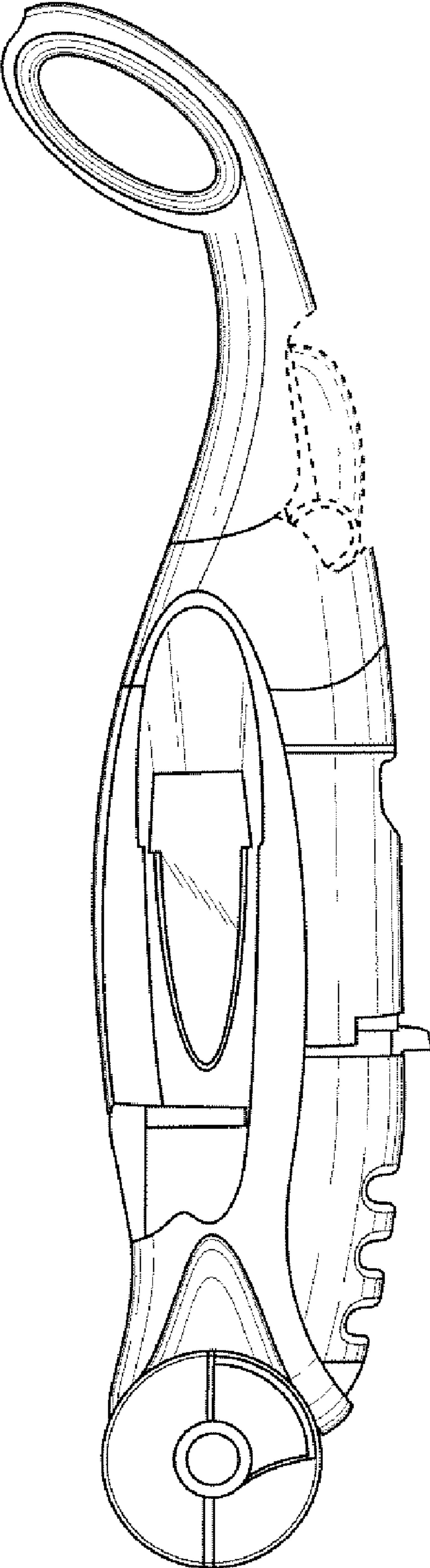
**Fig. 2**



**Fig. 3**

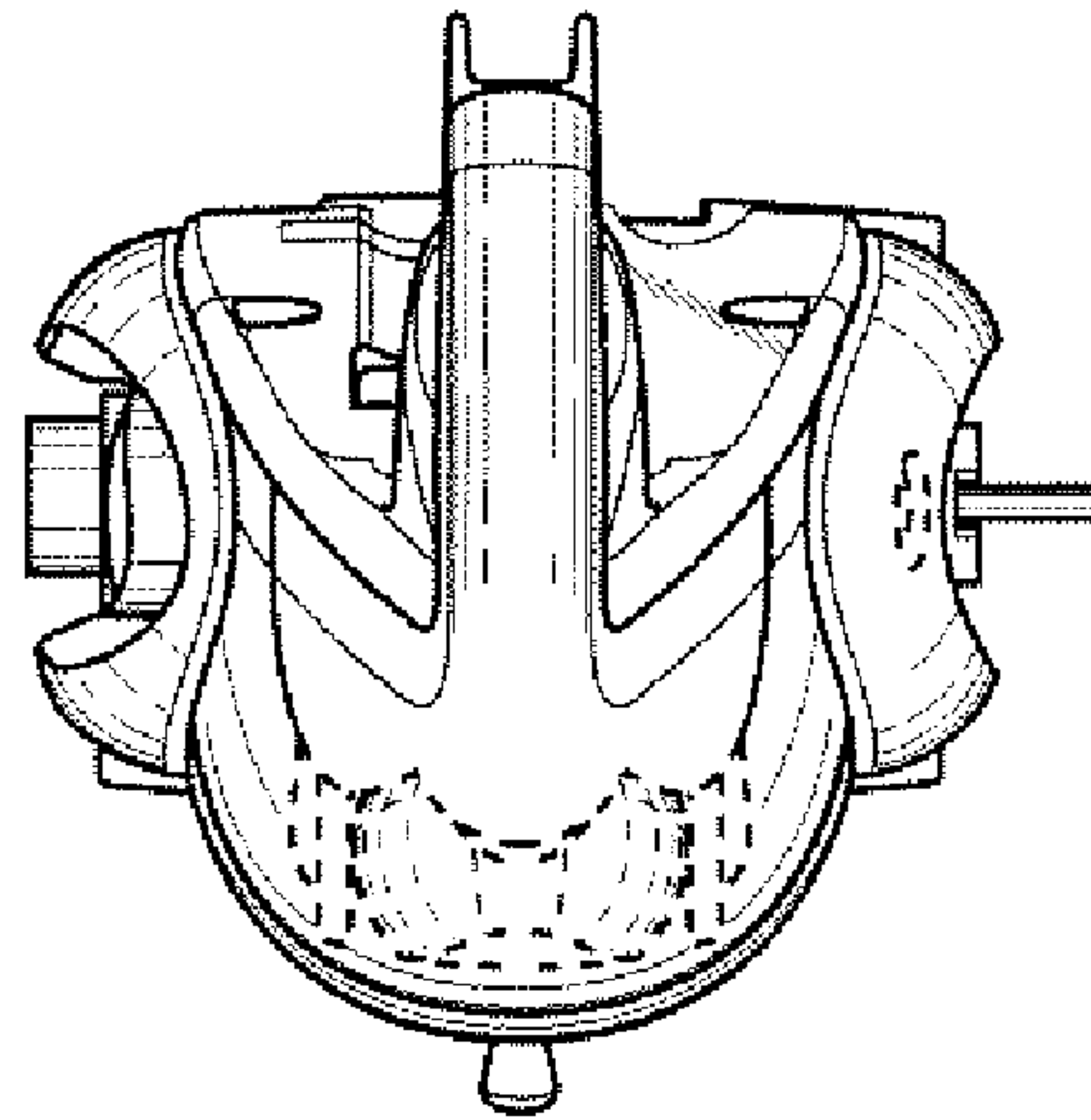


**Fig. 4**

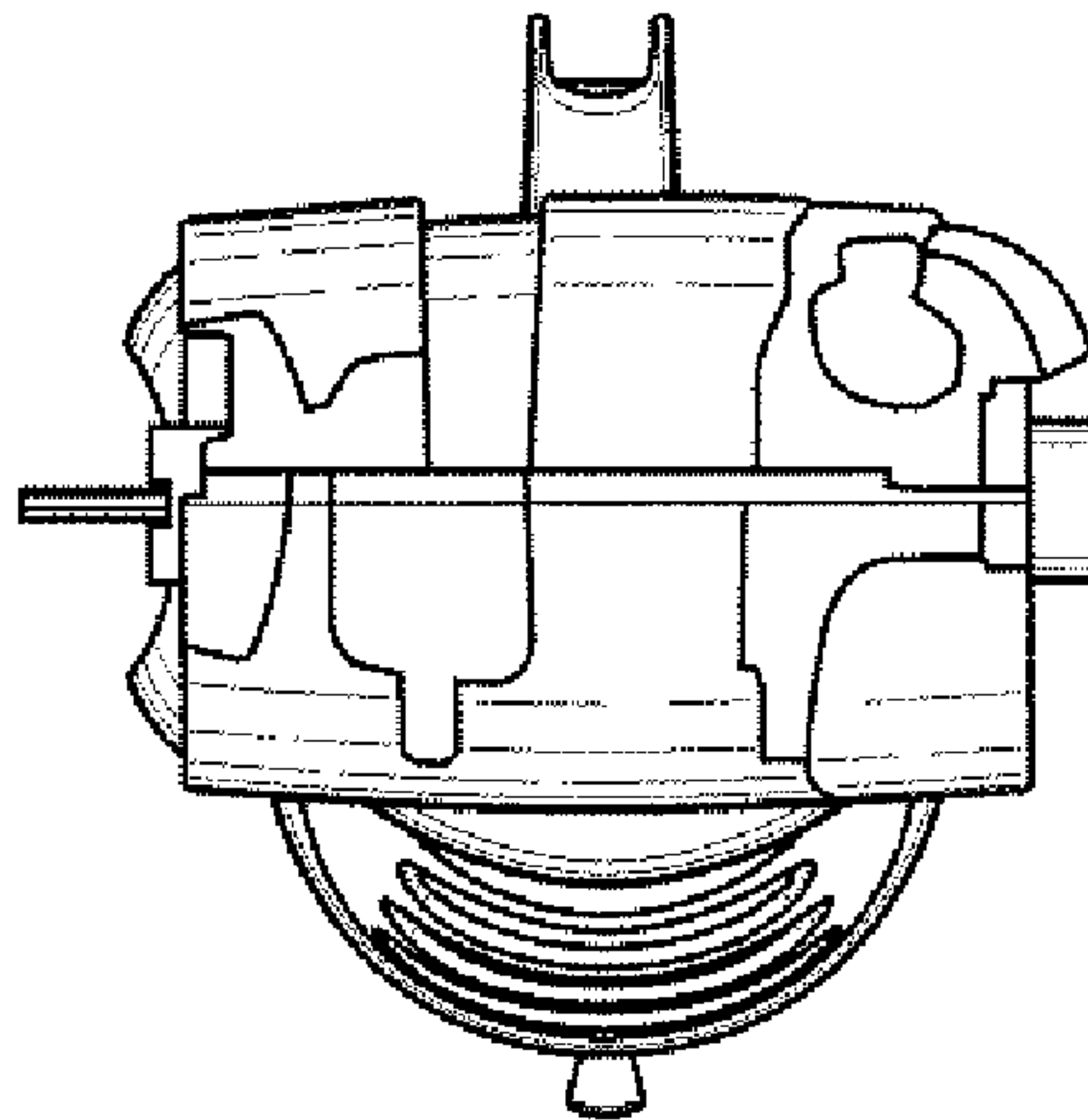


**Fig. 5**





**Fig. 6**



**Fig. 7**