

US00D570562S

(12) **United States Design Patent**
Paredes et al.

(10) **Patent No.:** **US D570,562 S**
(45) **Date of Patent:** **** Jun. 3, 2008**

(54) **UPRIGHT VACUUM CLEANER**

D533,696 S * 12/2006 Ikeno et al. D32/22

* cited by examiner

(75) Inventors: **Apollo Paul Paredes**, Boston, MA (US); **Randall Sandlin**, Bloomington, IL (US); **Vincent Bobrosky**, Normal, IL (US)

Primary Examiner—Ruth McInroy
(74) *Attorney, Agent, or Firm*—Hunton & Williams

(73) Assignee: **Electrolux Home Care Products, Inc.**, Cleveland, OH (US)

(57) **CLAIM**

The ornamental design for an upright vacuum cleaner, as shown and described.

(**) Term: **14 Years**

DESCRIPTION

(21) Appl. No.: **29/280,655**

FIG. 1 is an isometric view of an upright vacuum cleaner showing the claimed design.

(22) Filed: **Jun. 4, 2007**

FIG. 2 is a front elevation view of the upright vacuum cleaner of FIG. 1.

(51) **LOC (8) Cl.** **15-05**

(52) **U.S. Cl.** **D32/22**

(58) **Field of Classification Search** D32/22,
D32/31-34; 15/321-322, 353, 324, 334,
15/347, 350-352, 415.1-422, 422.1, 361,
15/363, 374, 410-412; 34/84-85, 95.1, 633,
34/635, 638, 229

FIG. 3 is a rear elevation view of the upright vacuum cleaner of FIG. 1.

FIG. 4 is a right elevation view of the upright vacuum cleaner of FIG. 1.

See application file for complete search history.

FIG. 5 is a left elevation view of the upright vacuum cleaner of FIG. 1.

(56) **References Cited**

U.S. PATENT DOCUMENTS

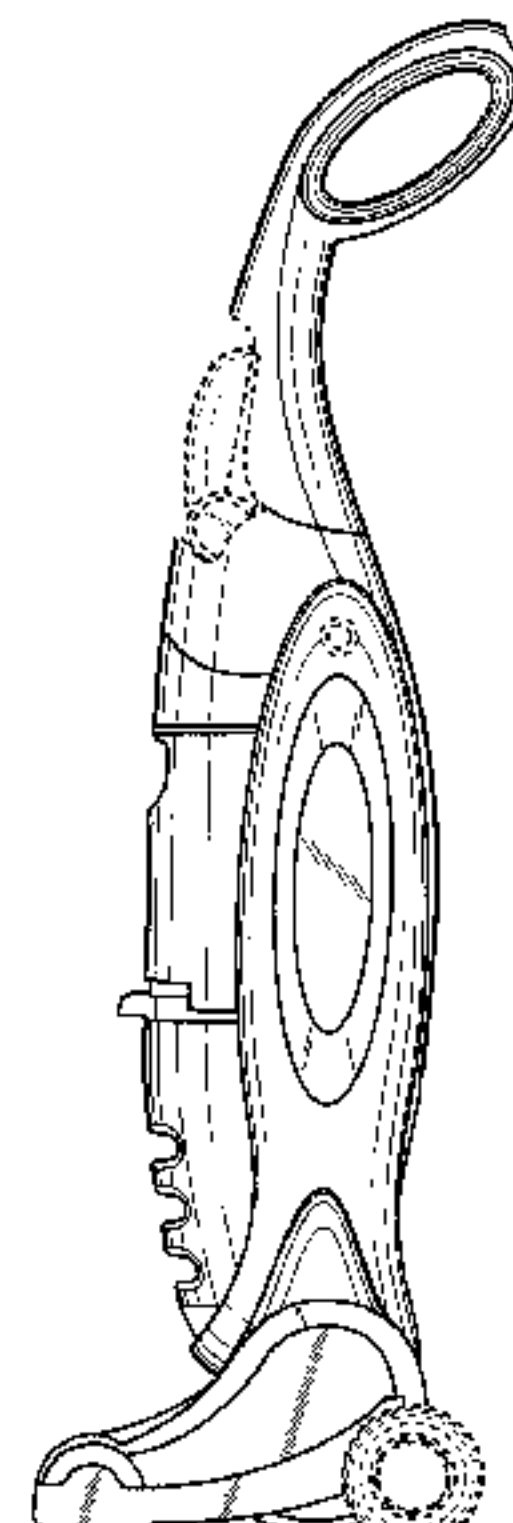
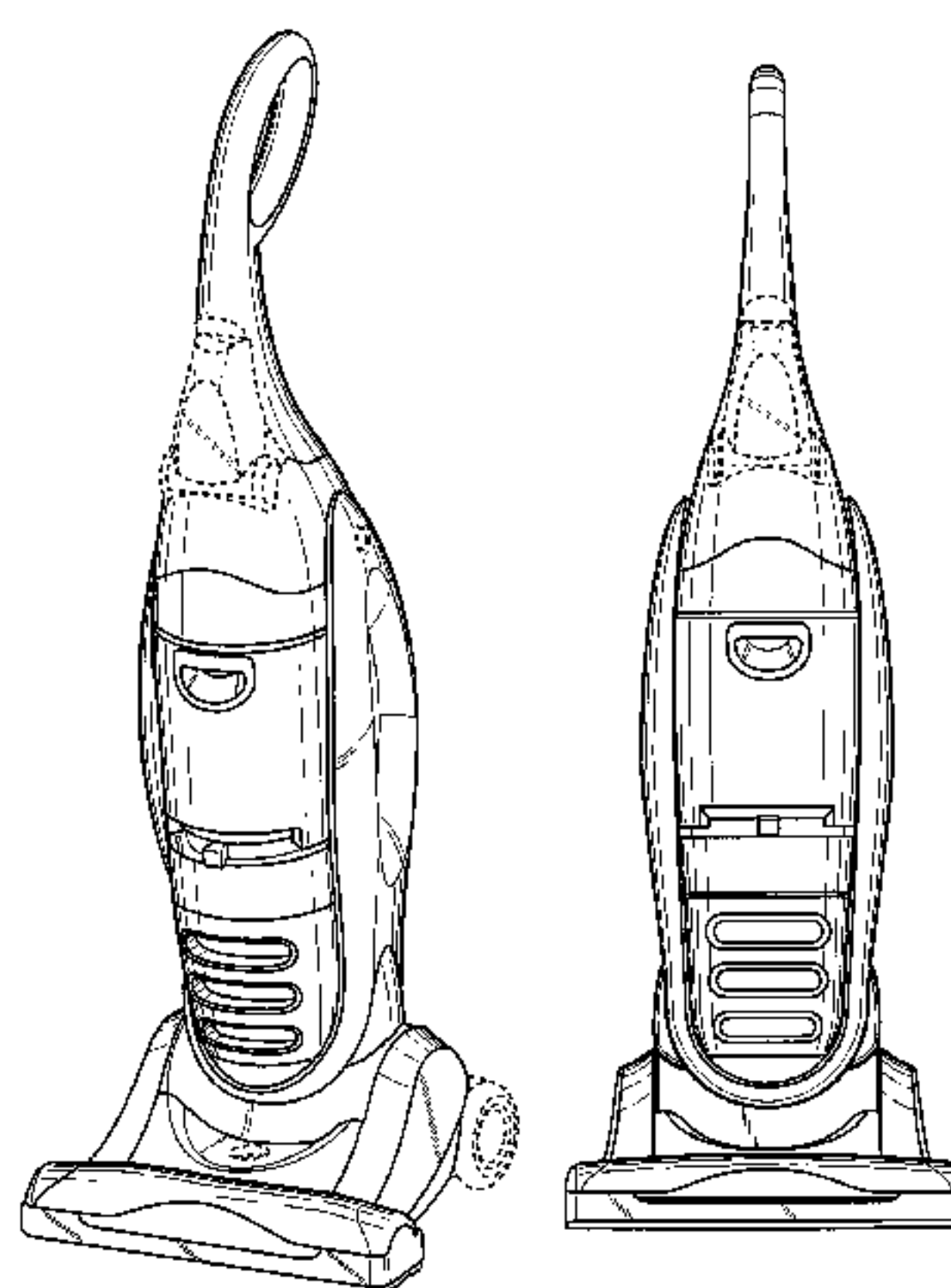
- D426,357 S * 6/2000 Tsuruha et al. D32/22
- D487,323 S * 3/2004 Leyden et al. D32/22
- D506,043 S * 6/2005 Kim D32/22
- D509,932 S * 9/2005 Shin D32/22
- D521,698 S * 5/2006 Rosenzweig et al. D32/22

FIG. 6 is a top plan view of the upright vacuum cleaner of FIG. 1; and,

FIG. 7 is a bottom plan view of the upright vacuum cleaner of FIG. 1.

The broken lines represent environment that forms no part of the claimed design.

1 Claim, 6 Drawing Sheets



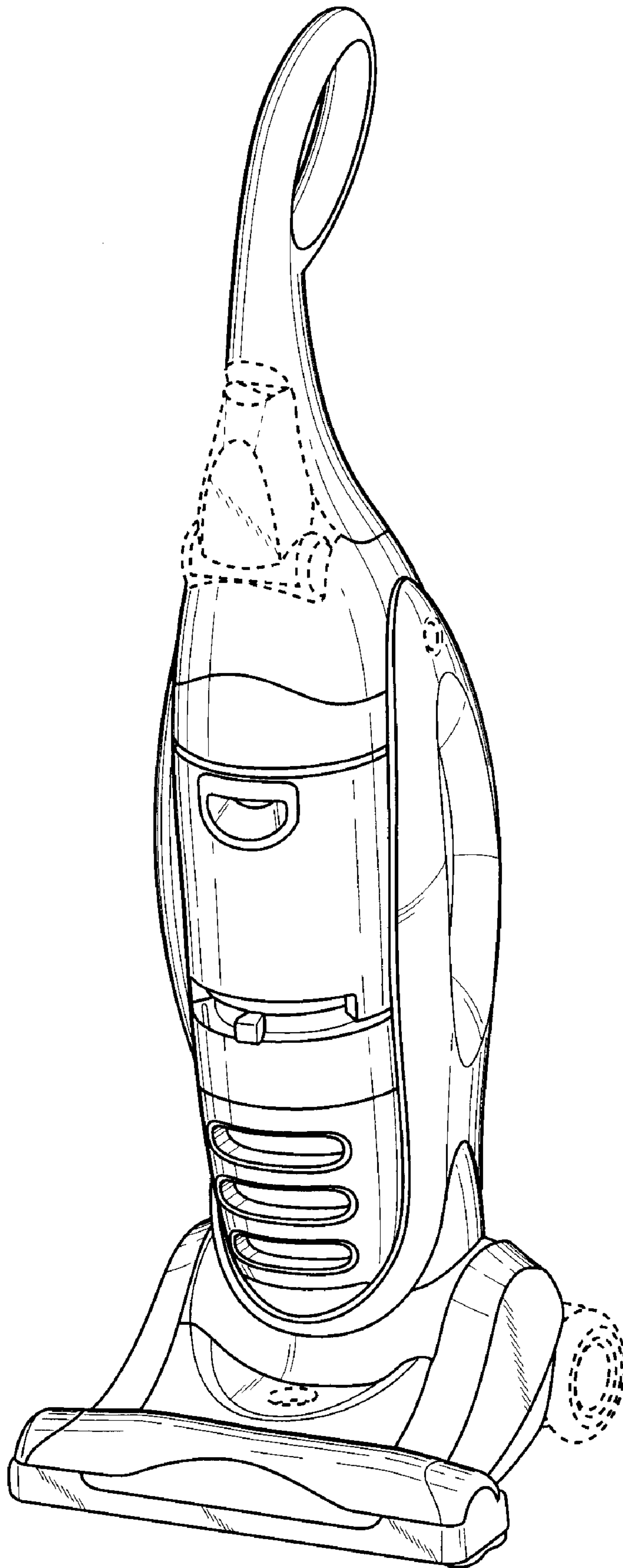


Fig. 1

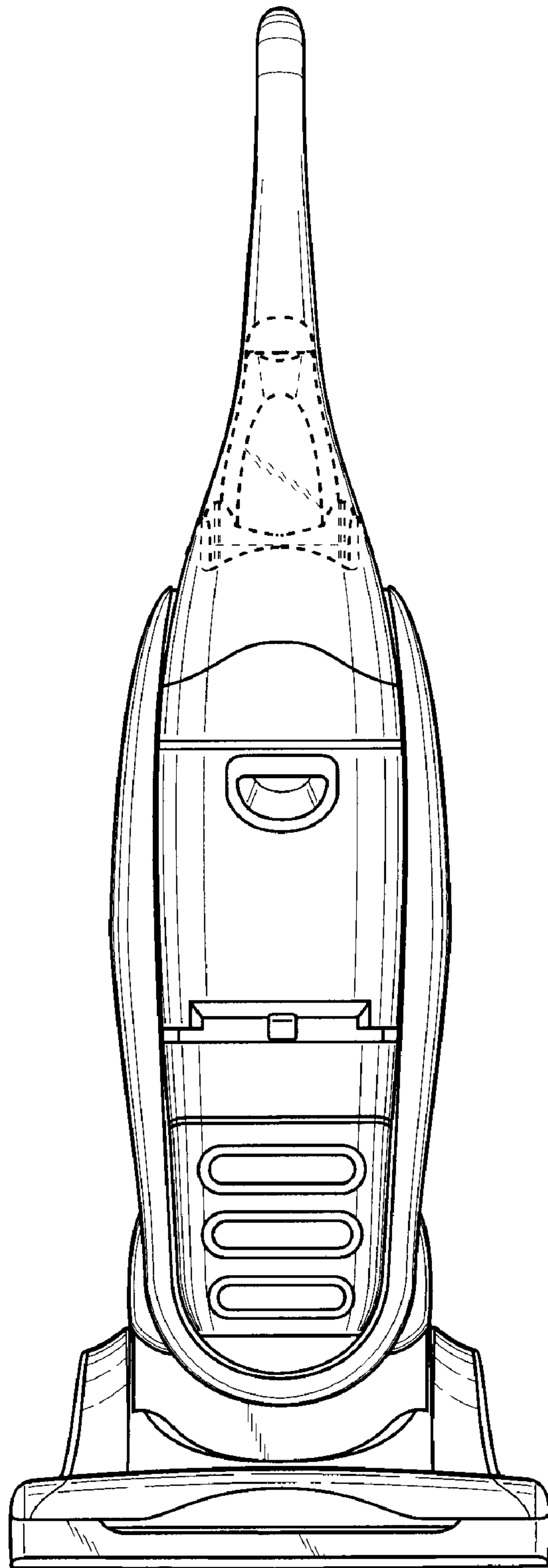


Fig. 2

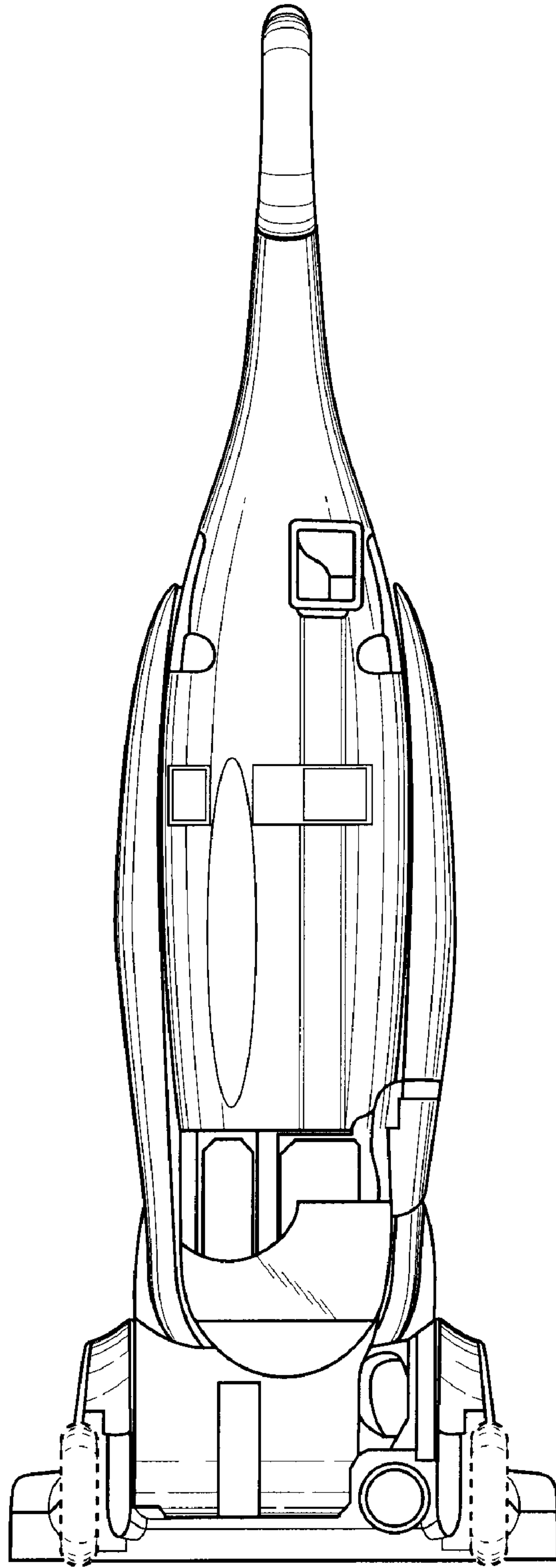


Fig. 3

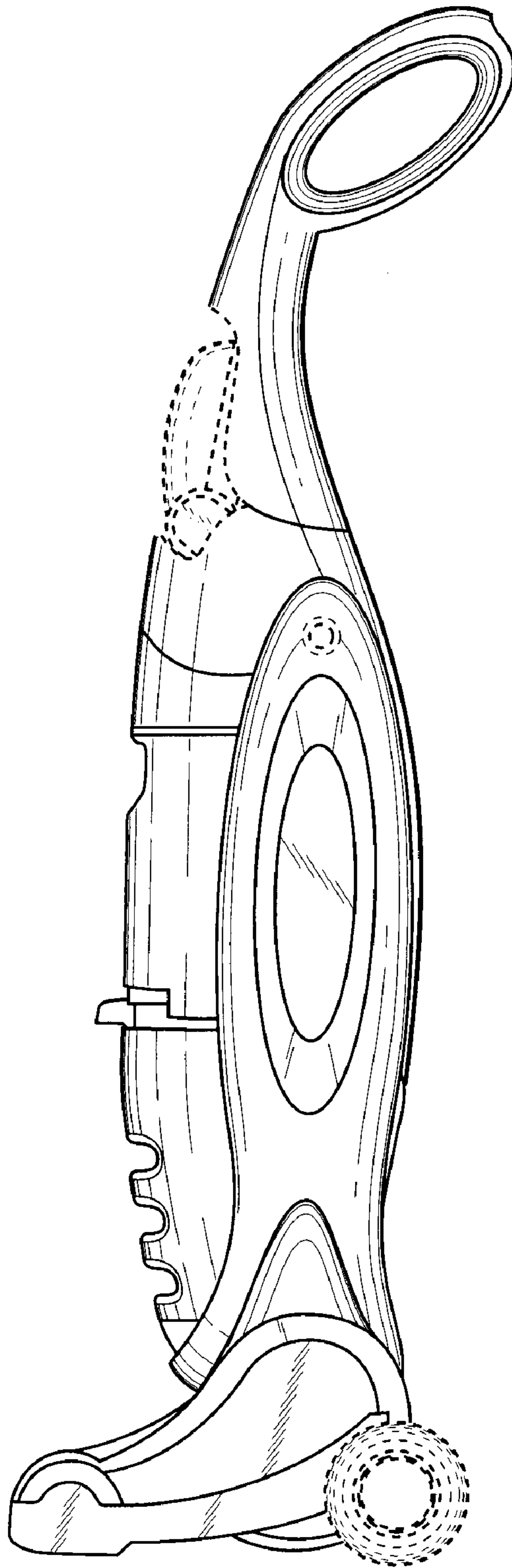


Fig. 4

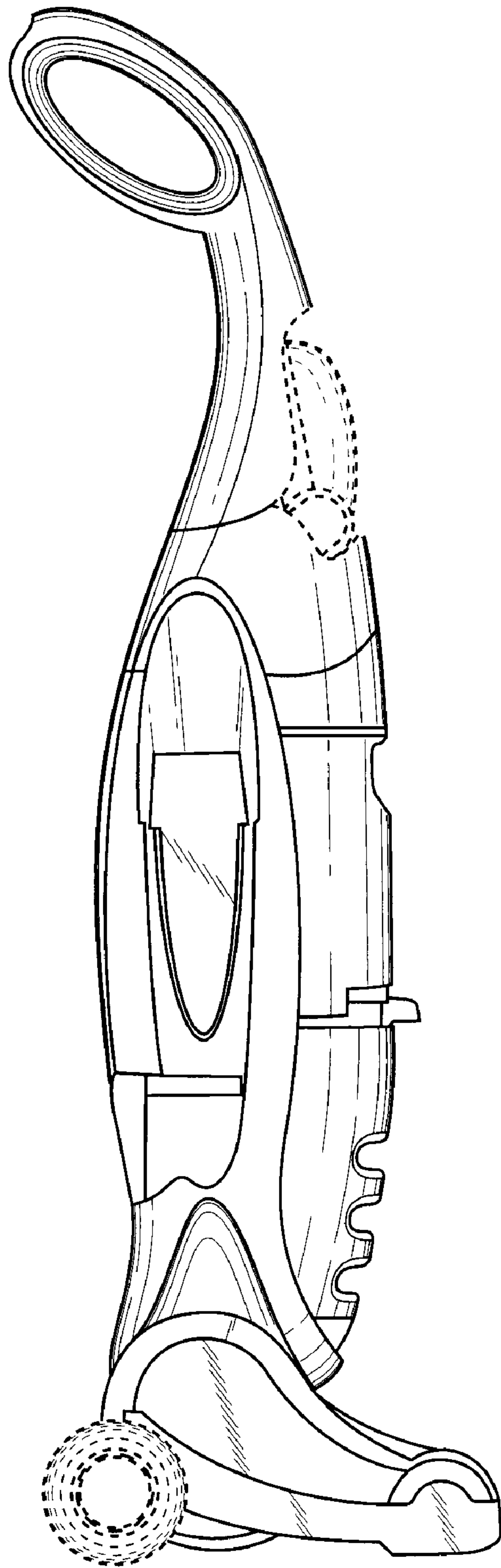


Fig. 5

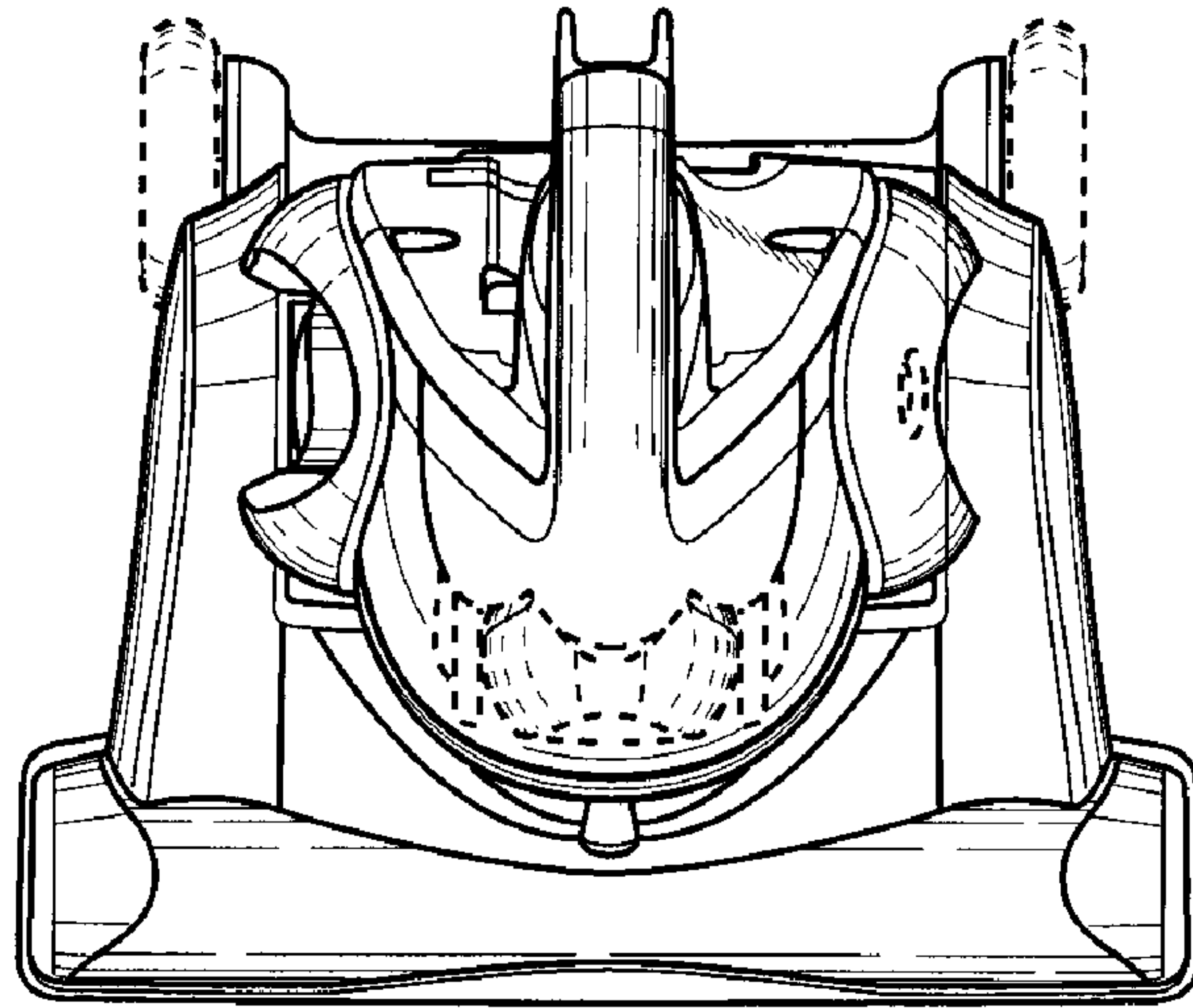


Fig. 6

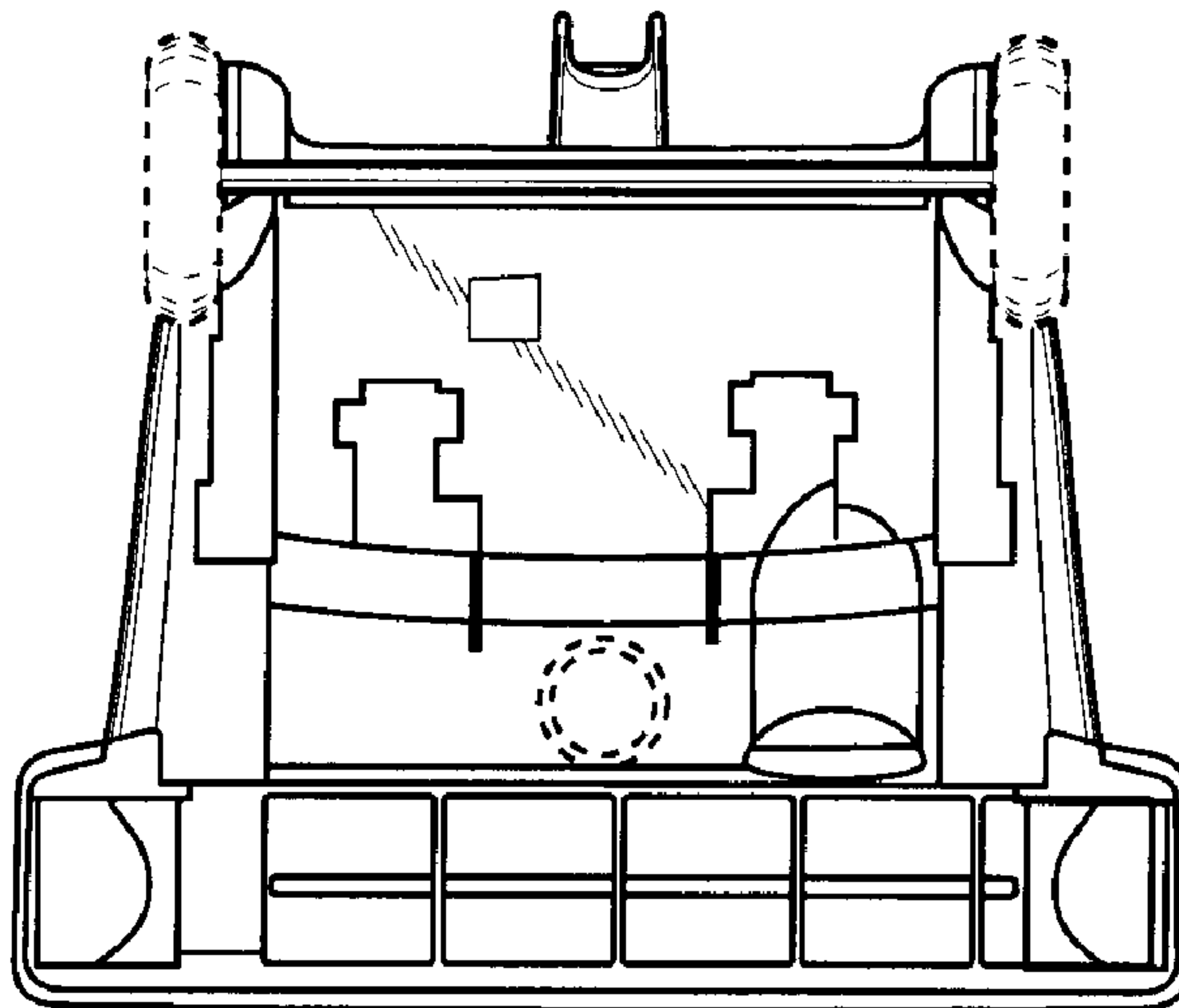


Fig. 7