



US00D570561S

(12) **United States Design Patent**  
**Dyson et al.**

(10) **Patent No.:** **US D570,561 S**  
(45) **Date of Patent:** **\*\* Jun. 3, 2008**

(54) **CLEANING APPLIANCE**

(75) Inventors: **James Dyson**, Wiltshire (GB); **Robert Paul Upton**, Wiltshire (GB); **Peter David Gammack**, Wiltshire (GB); **Stuart Lloyd Genn**, Wiltshire (GB); **Gerard Matthew Shevlin**, Wiltshire (GB)

(73) Assignee: **Dyson Limited**, Wiltshire (GB)

(\*\*) Term: **14 Years**

(21) Appl. No.: **29/273,302**

(22) Filed: **Mar. 2, 2007**

(30) **Foreign Application Priority Data**

Sep. 5, 2006 (GB) ..... 3025867

(51) **LOC (8) Cl.** ..... **15-05**

(52) **U.S. Cl.** ..... **D32/22**

(58) **Field of Classification Search** ..... D32/17,  
D32/18, 22, 31; 15/344, 329, 347, 350-353,  
15/361, 363, 412, 334; 55/343, 349, 424,  
55/459.1, DIG. 3

See application file for complete search history.

(56) **References Cited**

**U.S. PATENT DOCUMENTS**

D375,820 S \* 11/1996 Piccaluga et al. .... D32/22

D439,379 S \* 3/2001 Gammack et al. .... D32/22  
D462,813 S \* 9/2002 Nakano et al. .... D32/22  
D475,820 S \* 6/2003 Dyson et al. .... D32/22  
D510,465 S \* 10/2005 Takahashi et al. .... D32/22  
D533,695 S \* 12/2006 Dyson et al. .... D32/22  
D534,324 S \* 12/2006 Dyson et al. .... D32/22

\* cited by examiner

*Primary Examiner*—Ruth McInroy

(74) *Attorney, Agent, or Firm*—Morrison & Foerster LLP

(57) **CLAIM**

We claim the ornamental design for a cleaning appliance, as shown and described.

**DESCRIPTION**

FIG. 1 is a perspective view of a cleaning appliance showing our new design;

FIG. 2 is a top view thereof;

FIG. 3 is a bottom view thereof;

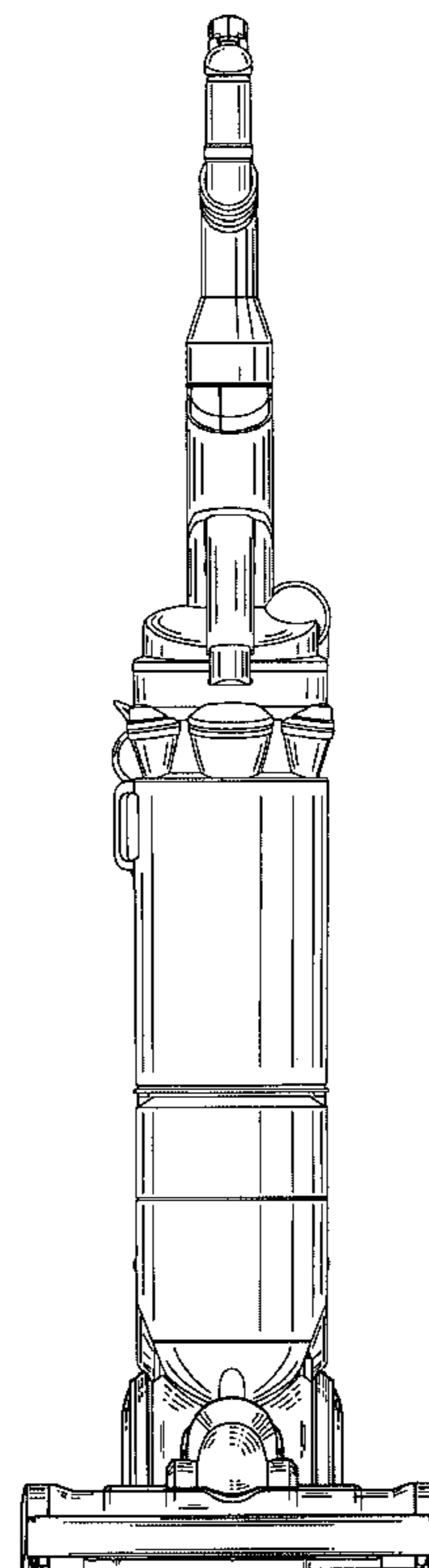
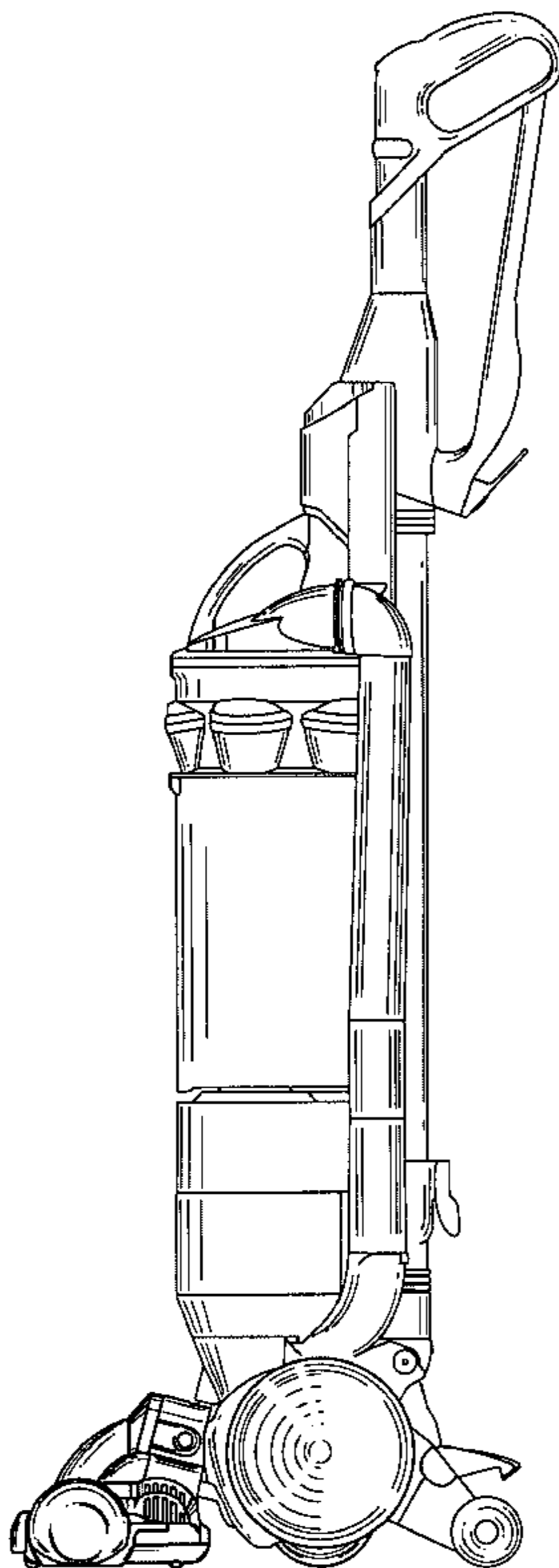
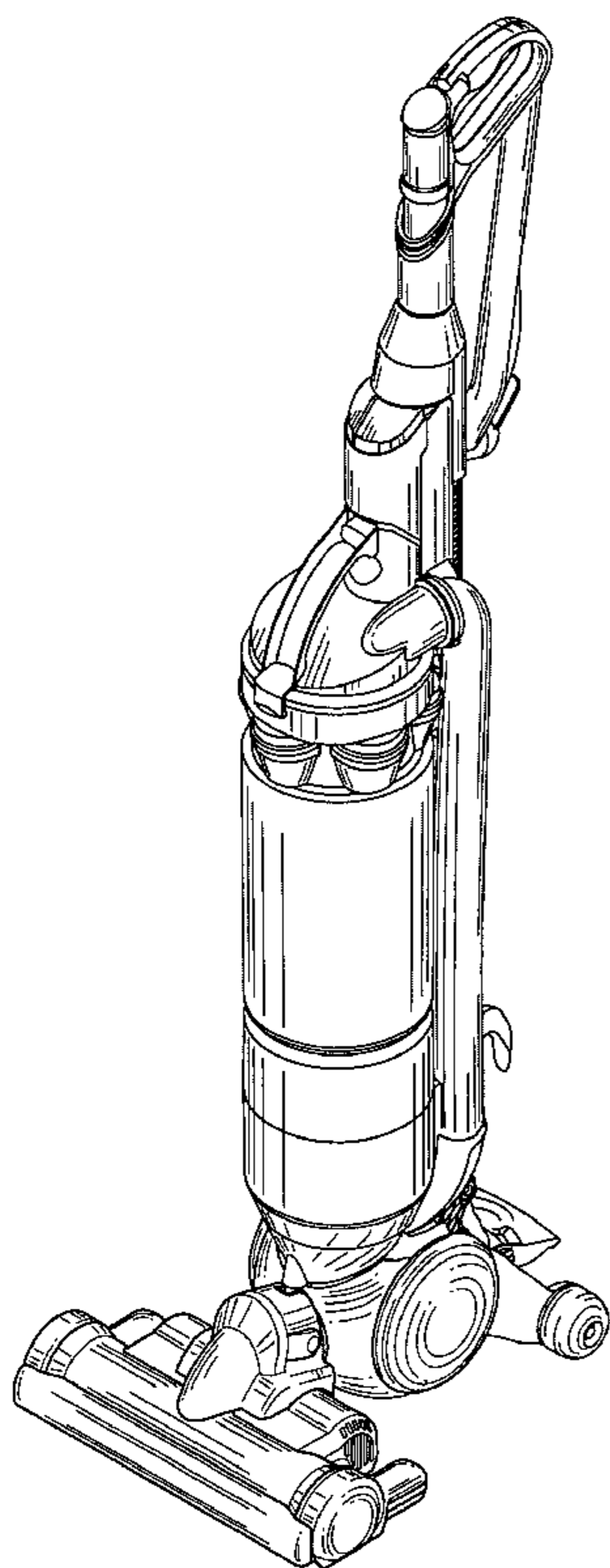
FIG. 4 is a side view thereof;

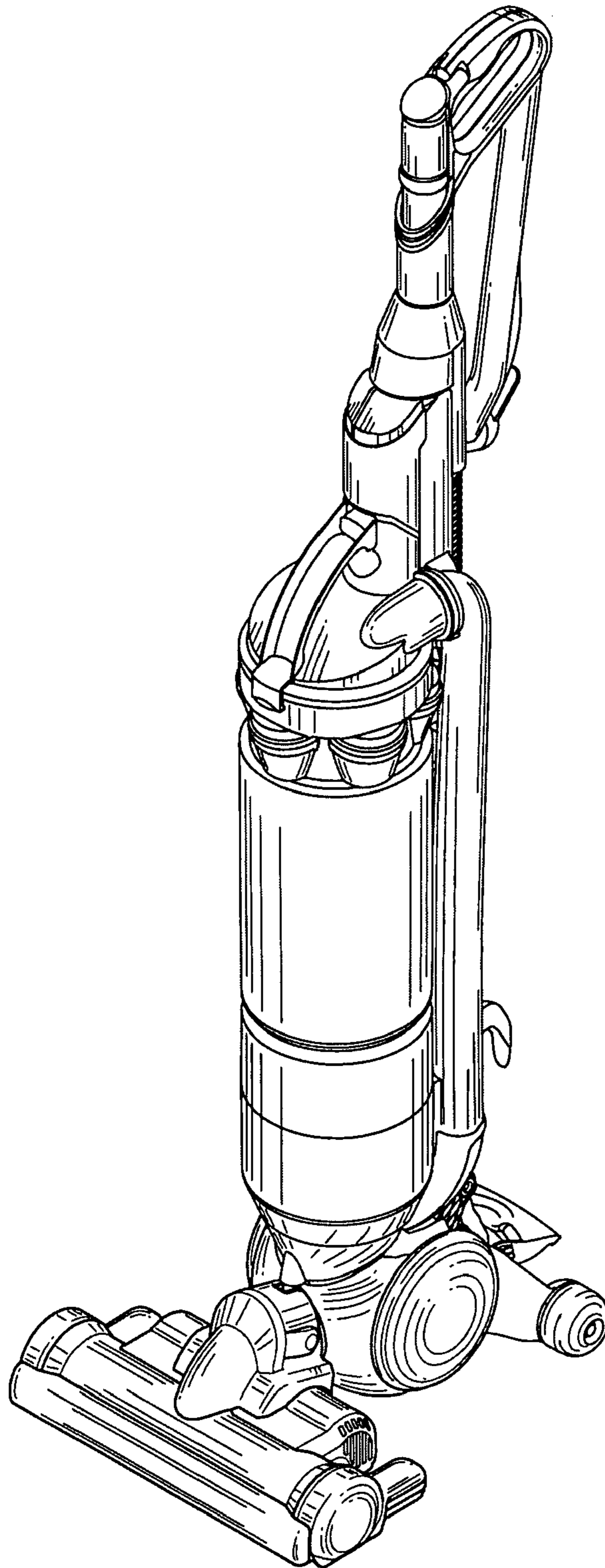
FIG. 5 is a side view of the opposite side of FIG. 4;

FIG. 6 is a front view thereof; and,

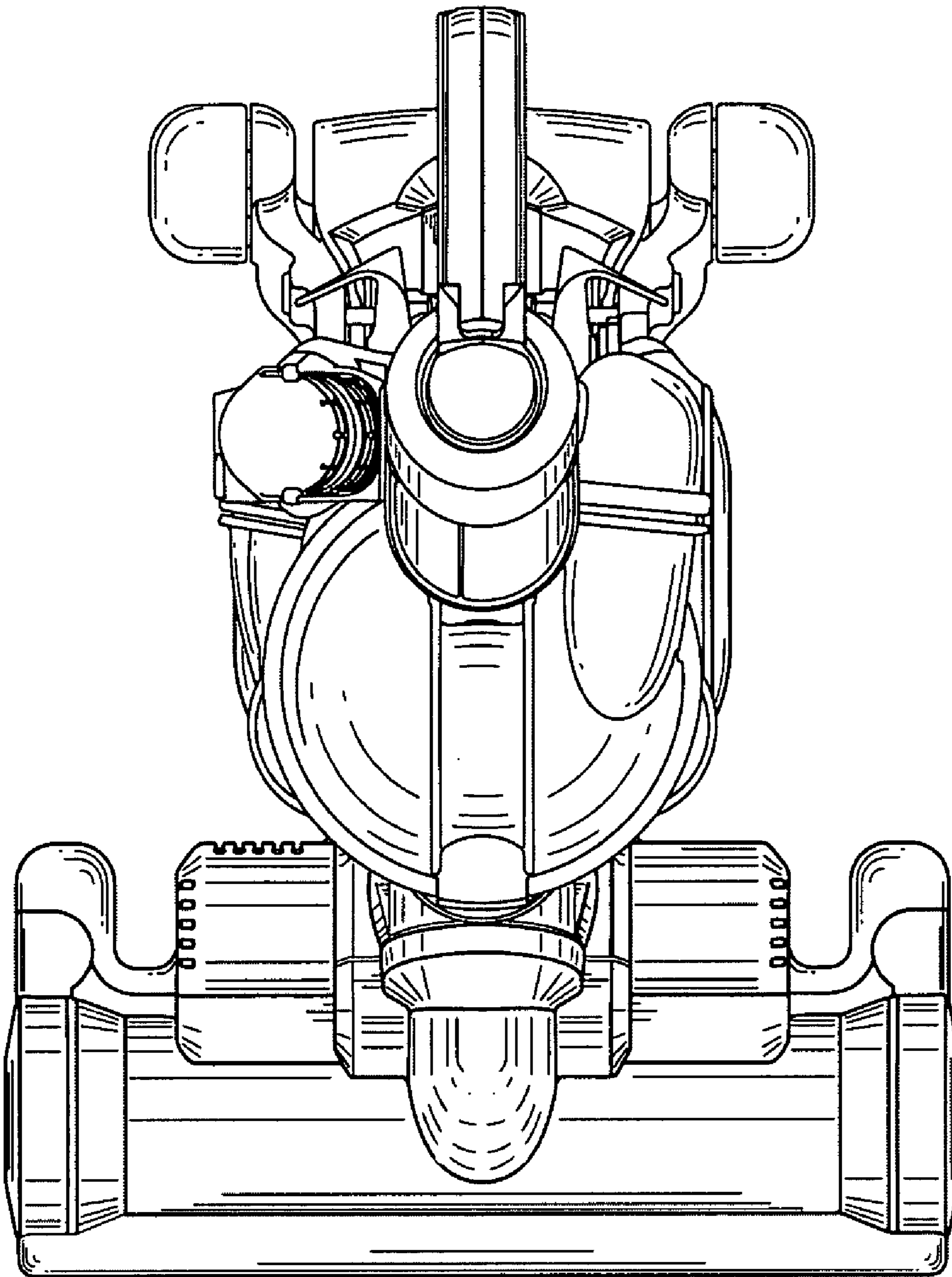
FIG. 7 is a rear view thereof.

**1 Claim, 7 Drawing Sheets**

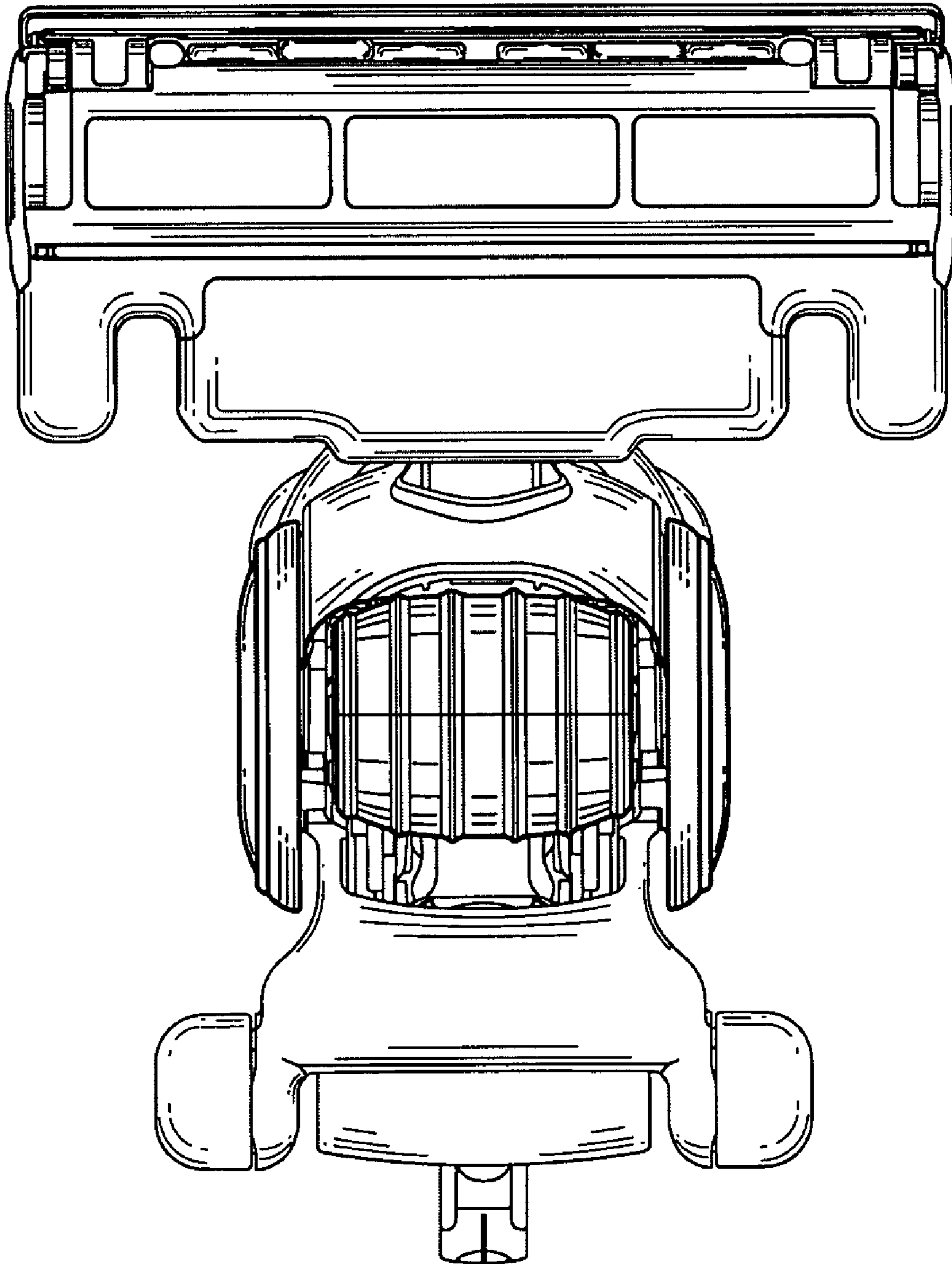




*Fig. 1*

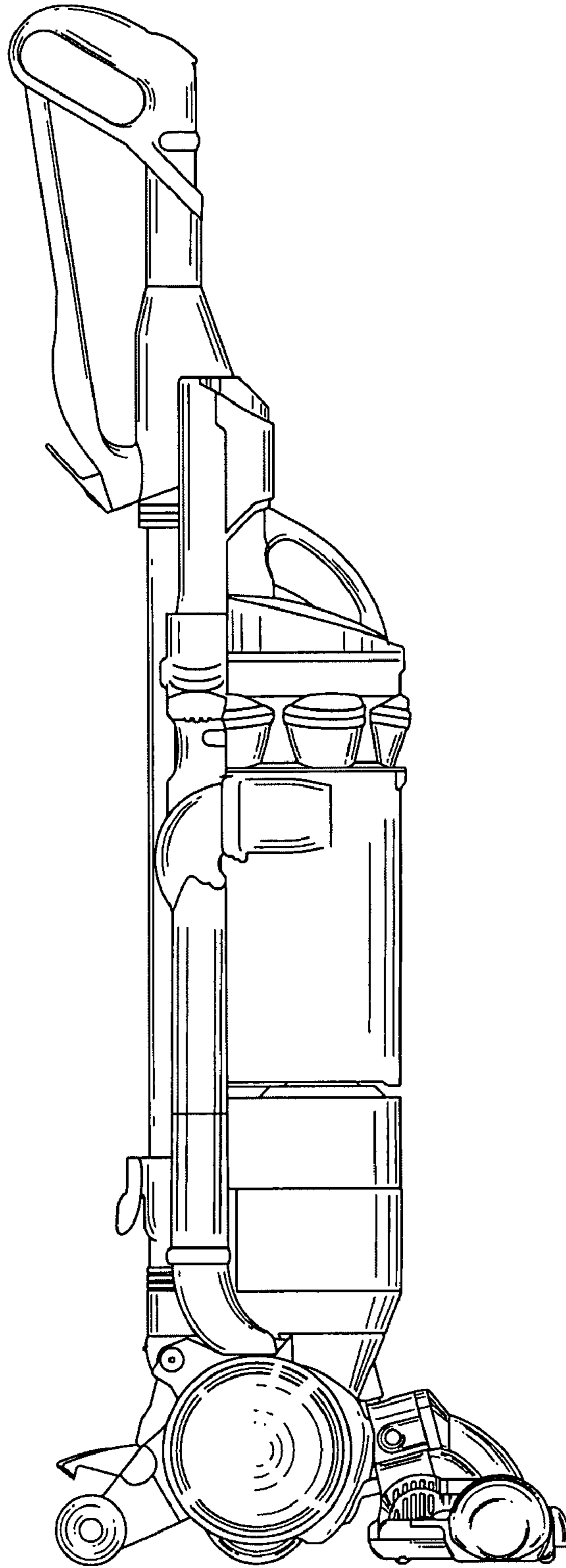


*Fig. 2*

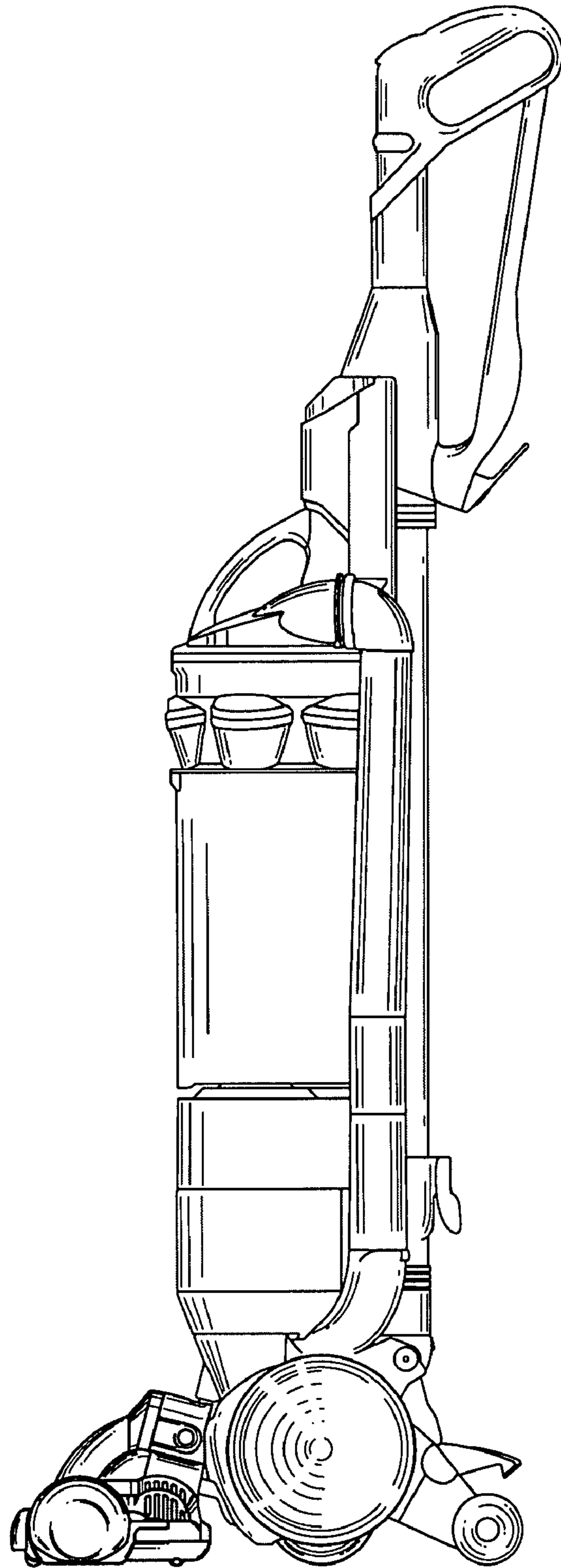


*Fig. 3*

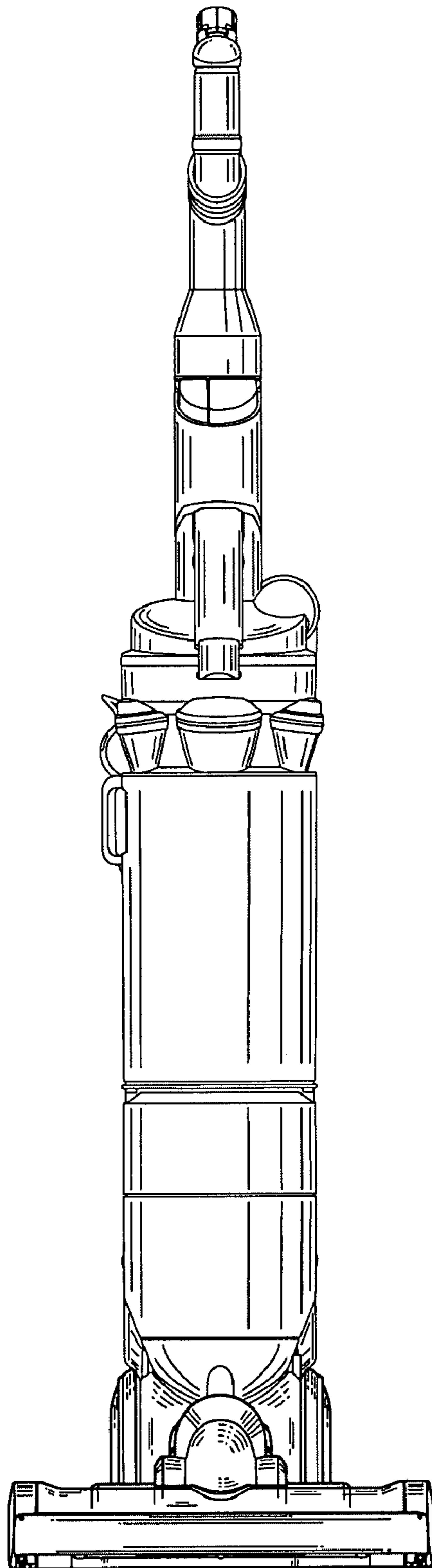




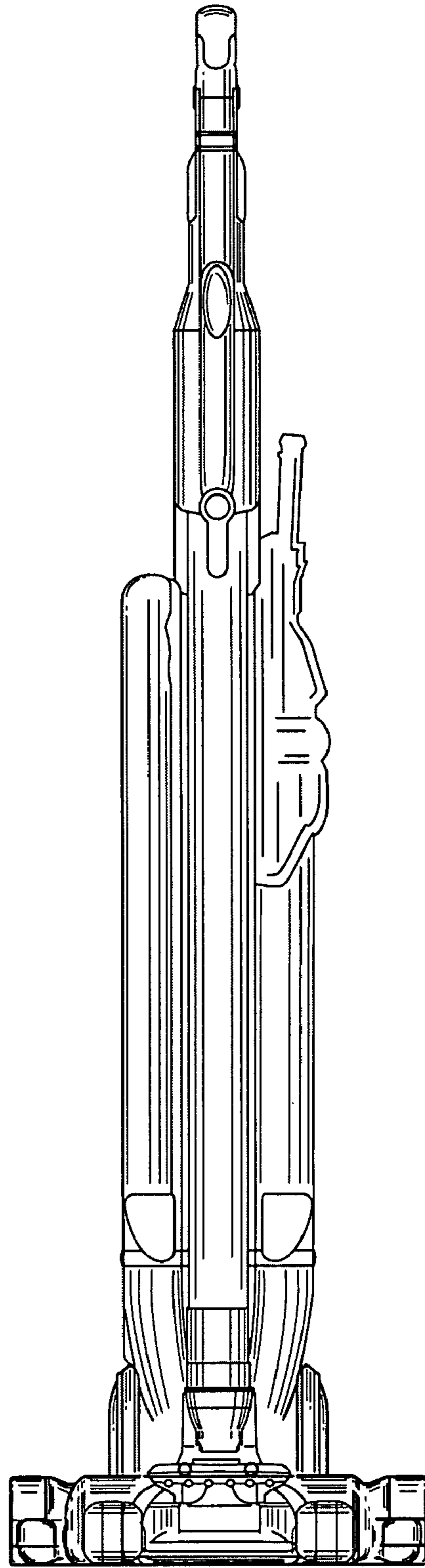
*Fig. 4*



*Fig. 5*



*Fig. 6*



*Fig. 7*