

US00D570560S

(12) **United States Design Patent**  
**Dammkoehler et al.**

(10) **Patent No.: US D570,560 S**  
(45) **Date of Patent: \*\* Jun. 3, 2008**

(54) **CLEANING APPARATUS**

D425,268 S \* 5/2000 Morokutti ..... D32/20

(75) Inventors: **Denis Dammkoehler**, Backnang (DE);  
**Christian Rummel**, Benningen a.N. (DE)

(73) Assignee: **Alfred kaercher GmbH & Co. KG**,  
Winnenden (DE)

(\*\*) Term: **14 Years**

(21) Appl. No.: **29/268,824**

(22) Filed: **Nov. 13, 2006**

(30) **Foreign Application Priority Data**

May 18, 2006 (EM) ..... 000531272

(51) **LOC (8) Cl.** ..... **15-05**

(52) **U.S. Cl.** ..... **D32/20**

(58) **Field of Classification Search** ..... D32/1,  
D32/15-25, 31, 33-34; D8/61, 62, 67; D4/102;  
15/49.1, 23, 28, 320-323, 331-332, 340,  
15/344, 347, 353-354

See application file for complete search history.

(56) **References Cited**

**U.S. PATENT DOCUMENTS**

D212,859 S \* 12/1968 Descaries et al. .... D32/20  
D219,348 S \* 12/1970 Anderson ..... D32/15  
D297,778 S \* 9/1988 Lallerstedt ..... D32/15  
D341,913 S \* 11/1993 Swan ..... D32/15

**OTHER PUBLICATIONS**

<http://www.rotowash.net/R3-R3A-R3SPOP.html> Jan. 4, 2008.\*

[http://www.reinigungsforum.de/reviews/images/BR\\_Vario\\_400.jpg](http://www.reinigungsforum.de/reviews/images/BR_Vario_400.jpg) Jan. 7, 2008.\*

Extract from catalog of Alfred Kaercher GmbH & Co. KG, "Programme 2004" pp. 177, 179 (2004).

\* cited by examiner

*Primary Examiner*—Louis S. Zarfes

*Assistant Examiner*—Kathleen Sims

(74) *Attorney, Agent, or Firm*—Lipsitz & McAllister LLC

(57) **CLAIM**

The ornamental design for a cleaning apparatus, as shown and described.

**DESCRIPTION**

FIG. 1 is a front elevational view of the cleaning apparatus showing our new design;

FIG. 2 is a top, front and right side perspective view thereof;

FIG. 3 is a right side elevational view thereof;

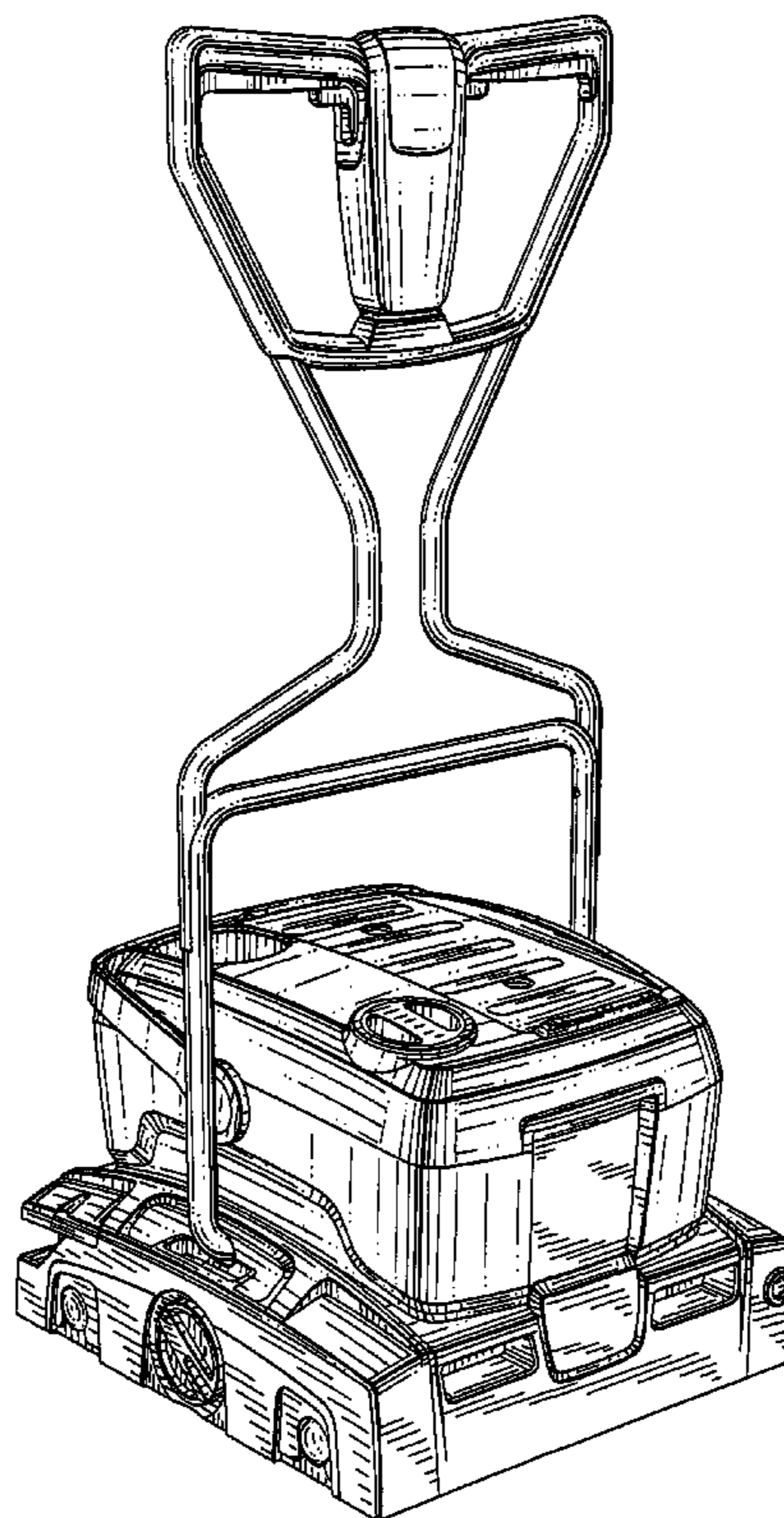
FIG. 4 is a rear elevational view thereof;

FIG. 5 is a left side elevational view thereof;

FIG. 6 is a top, front and left side perspective view thereof; and,

FIG. 7 is a top plan view thereof.

**1 Claim, 7 Drawing Sheets**



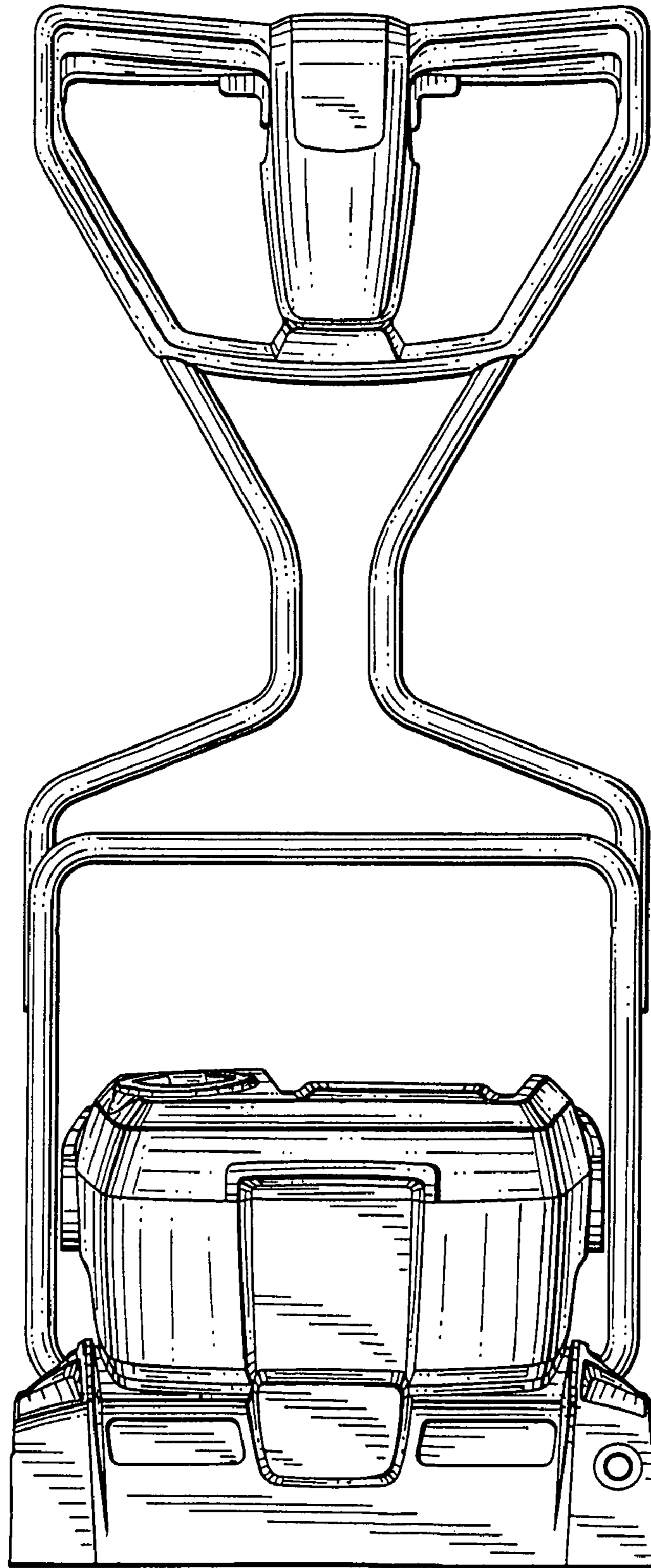


FIG. 1

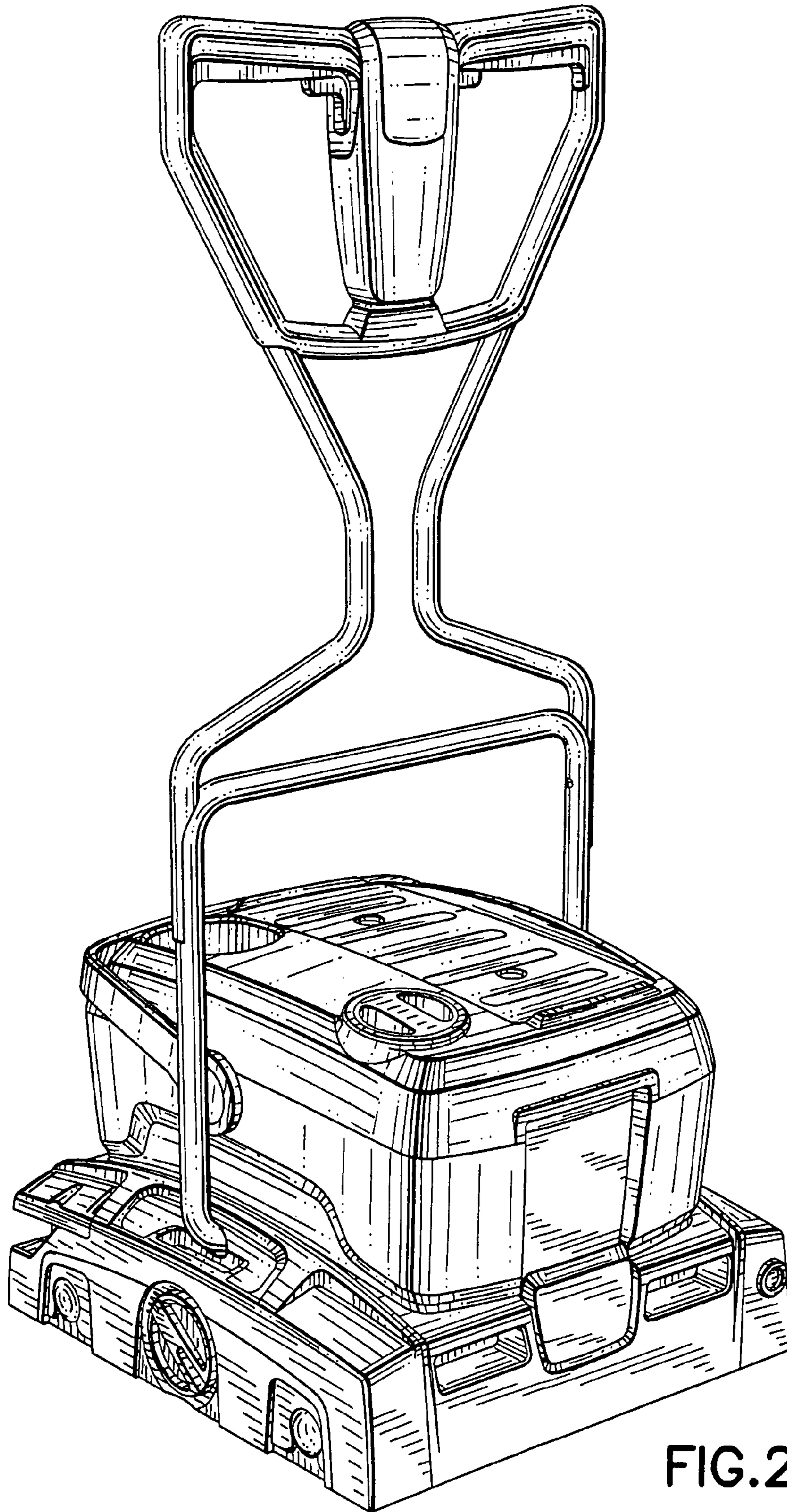


FIG.2

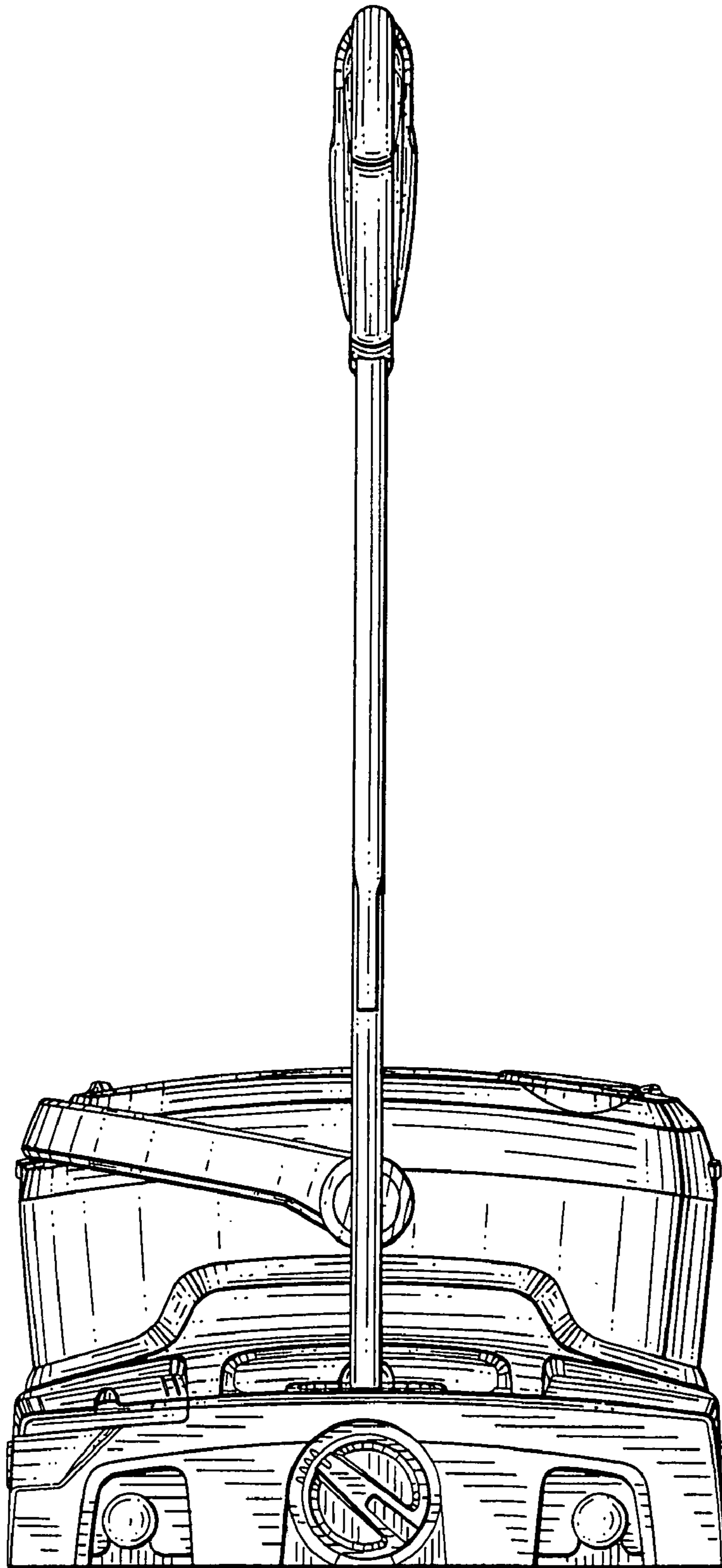


FIG. 3

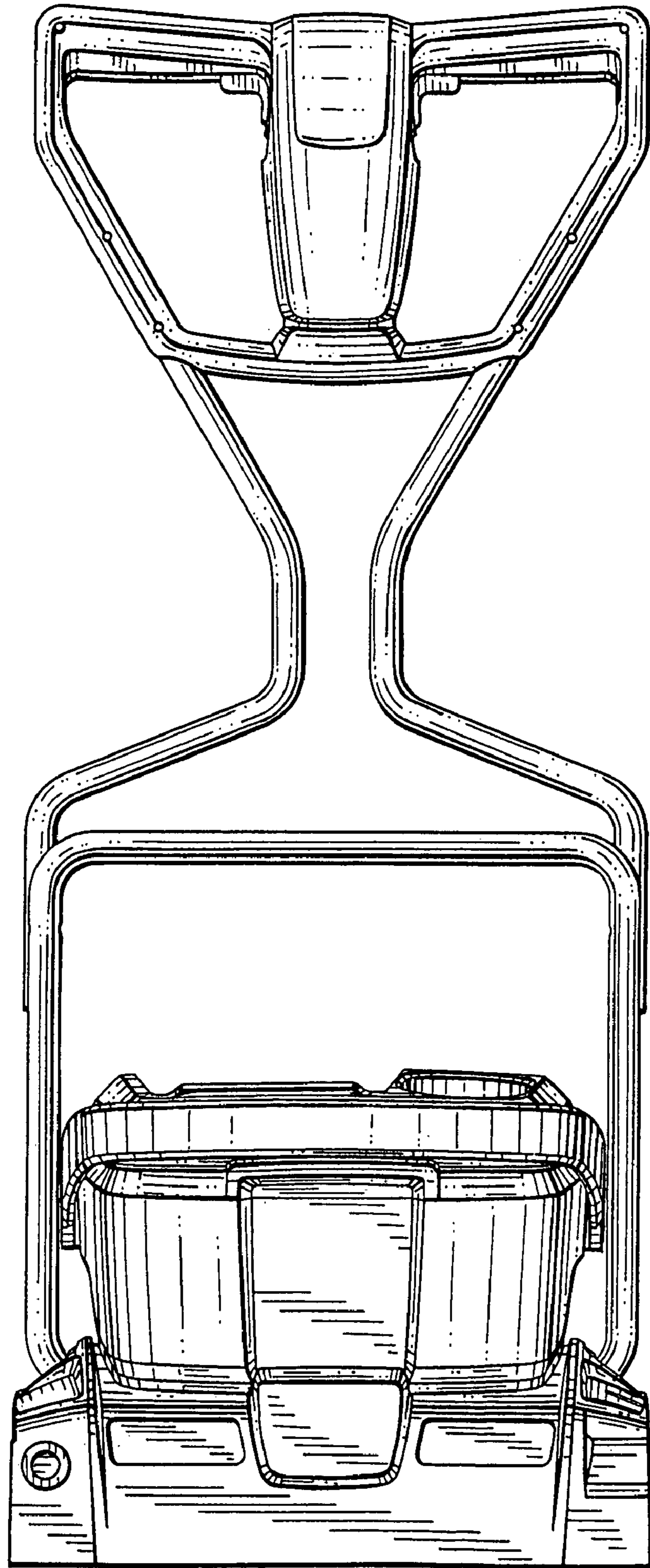


FIG. 4

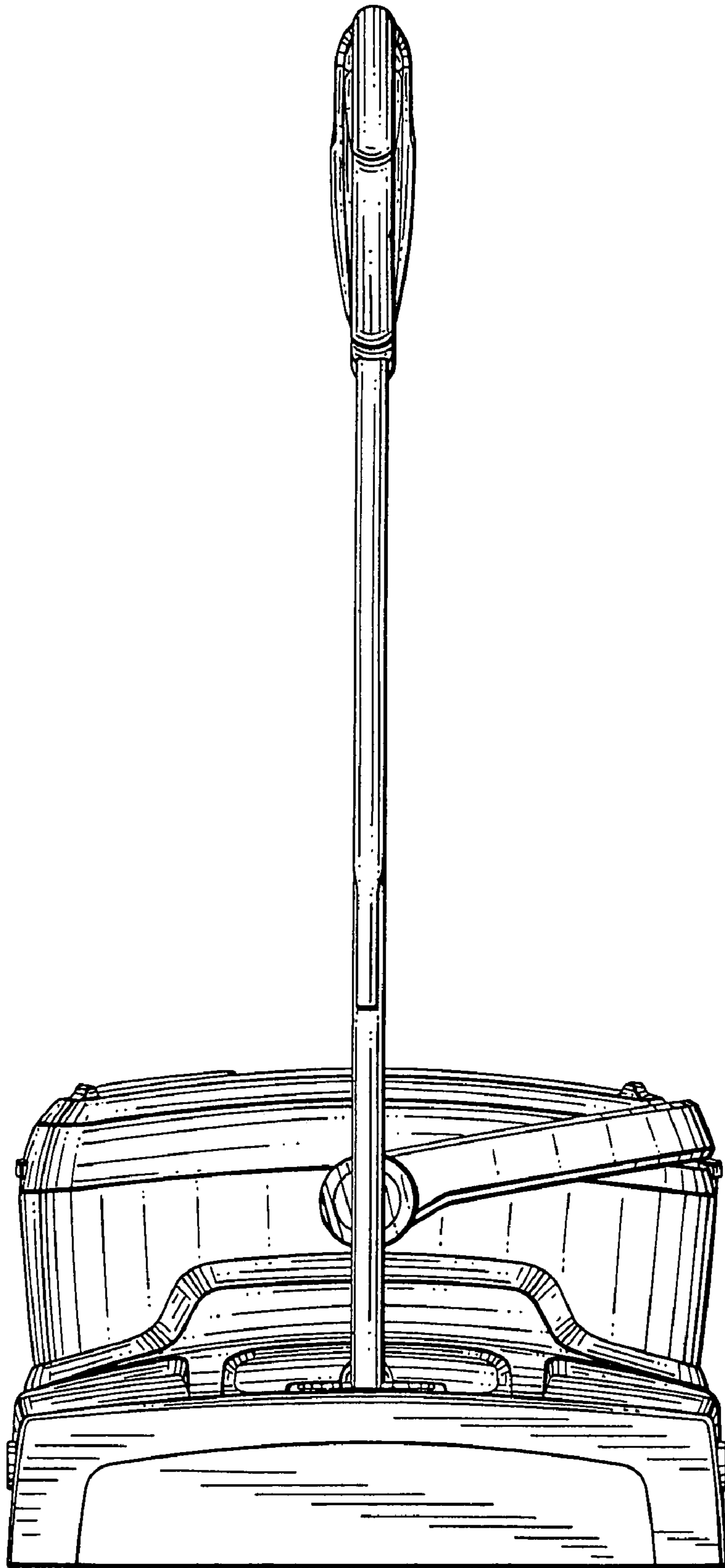


FIG.5

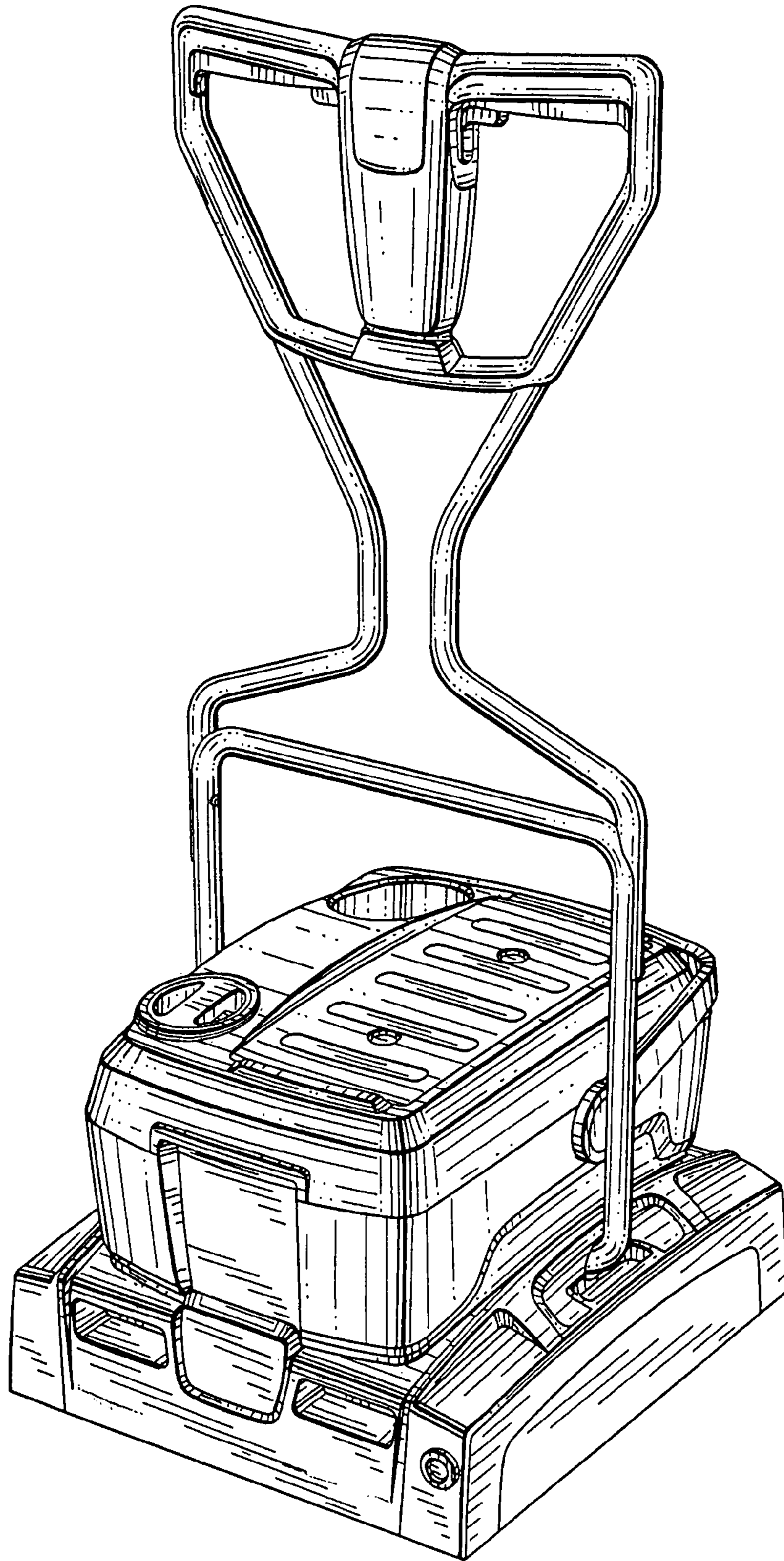


FIG. 6

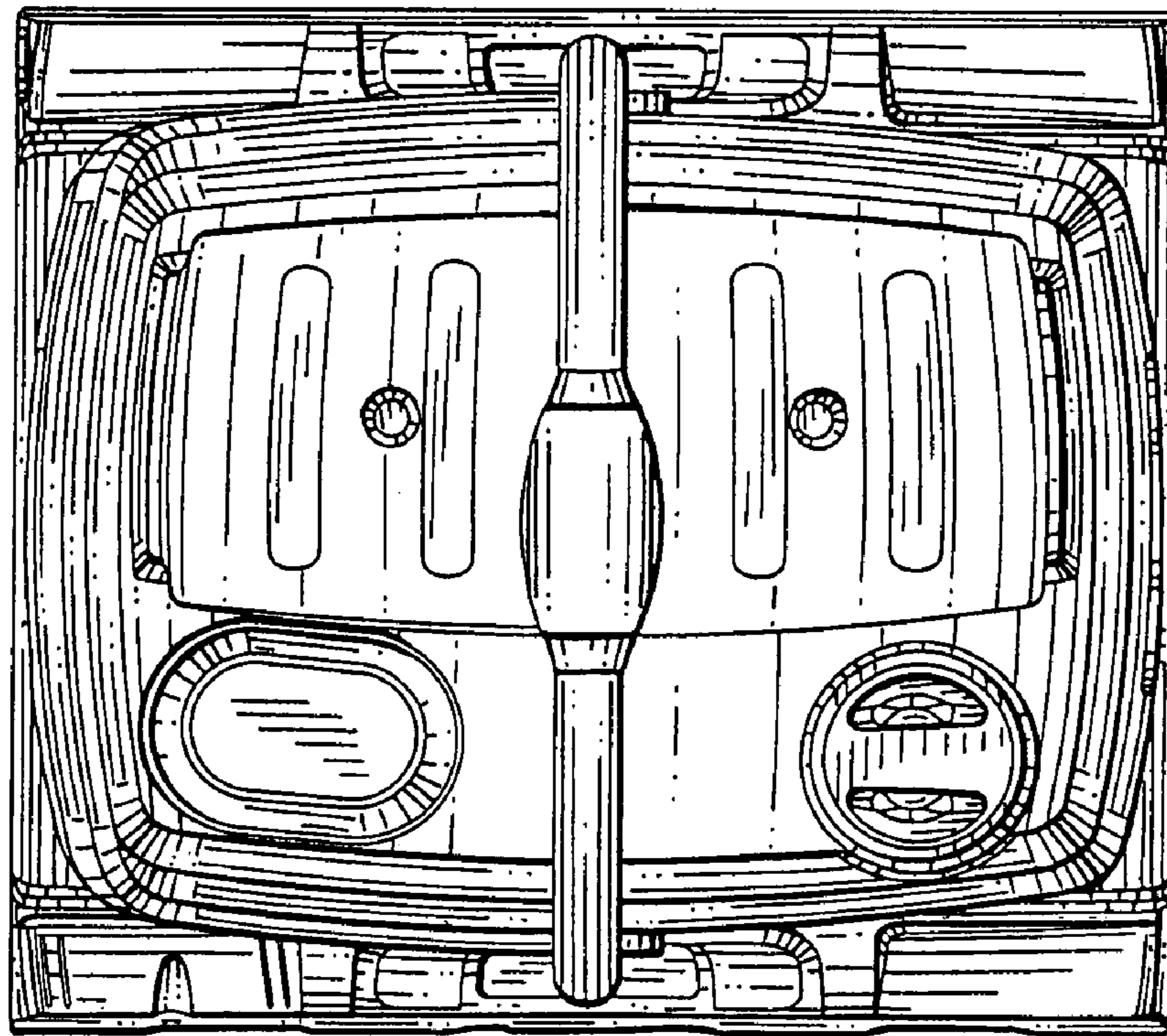


FIG. 7



UNITED STATES PATENT AND TRADEMARK OFFICE  
**CERTIFICATE OF CORRECTION**

PATENT NO. : Des. 570,560 S  
APPLICATION NO. : 29/268824  
DATED : June 3, 2008  
INVENTOR(S) : Dammkoehler et al.

Page 1 of 1

It is certified that error appears in the above-identified patent and that said Letters Patent is hereby corrected as shown below:

On the Title page, the Assignee is corrected to read:

Item (73) Assignee: Alfred Kaercher GmbH & Co. KG,  
Winnenden (DE)

Signed and Sealed this

Fifth Day of August, 2008

A handwritten signature in black ink that reads "Jon W. Dudas". The signature is written in a cursive style with a large, looped initial "J".

JON W. DUDAS  
*Director of the United States Patent and Trademark Office*