



US00D570556S

(12) **United States Design Patent**
Richardson

(10) **Patent No.:** **US D570,556 S**
(45) **Date of Patent:** **** Jun. 3, 2008**

(54) **PET CARRIER**

(74) *Attorney, Agent, or Firm*—McHale & Slavin, P.A.

(75) Inventor: **Jed Richardson**, Batavia, IL (US)

(57) **CLAIM**

(73) Assignee: **Suncast Corporation**, Batavia, IL (US)

The ornamental design for a pet carrier, as shown and described.

(**) Term: **14 Years**

(21) Appl. No.: **29/280,867**

DESCRIPTION

(22) Filed: **Jun. 8, 2007**

(51) **LOC (8) Cl.** **30-02**

(52) **U.S. Cl.** **D30/109**

(58) **Field of Classification Search** D30/108–111,
D30/114–119, 161; 119/161, 163–169, 452–456,
119/459, 461, 472, 474–475, 482, 484–485,
119/489, 496

See application file for complete search history.

FIG. 1 is a front perspective view of the PET CARRIER of the instant invention;

FIG. 2 is a rear perspective view thereof;

FIG. 3 is a bottom perspective view thereof;

FIG. 4 is a front view thereof;

FIG. 5 is a rear view thereof;

FIG. 6 is a right side view thereof;

FIG. 7 is a left side view thereof;

FIG. 8 is a top view thereof;

FIG. 9 is a bottom view thereof;

FIG. 10 is a rear perspective view in an alternate arrangement; and,

FIG. 11 is a front perspective view of FIG. 10.

The broken lines are for purpose of illustration only and form no part of the claimed design.

(56) **References Cited**

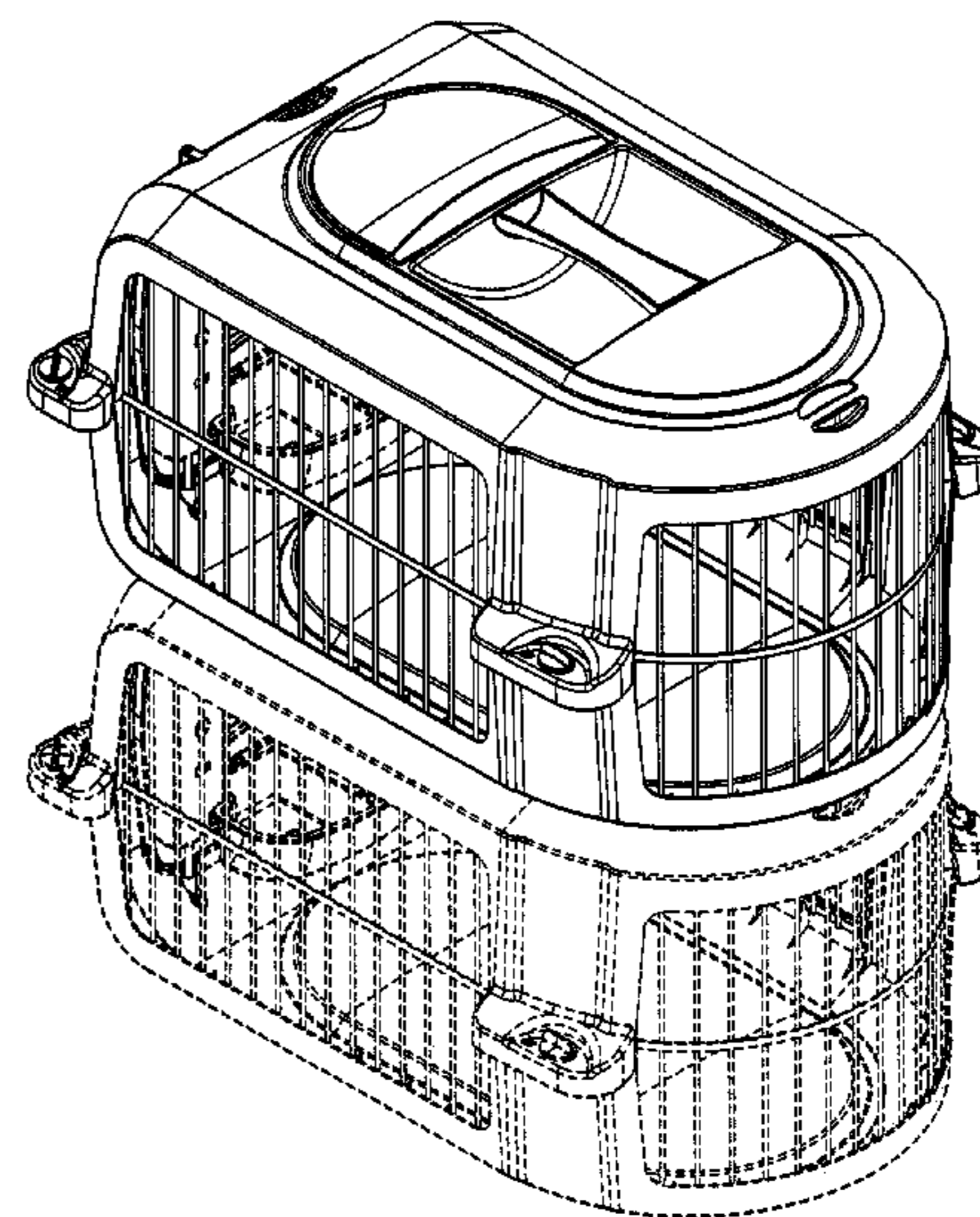
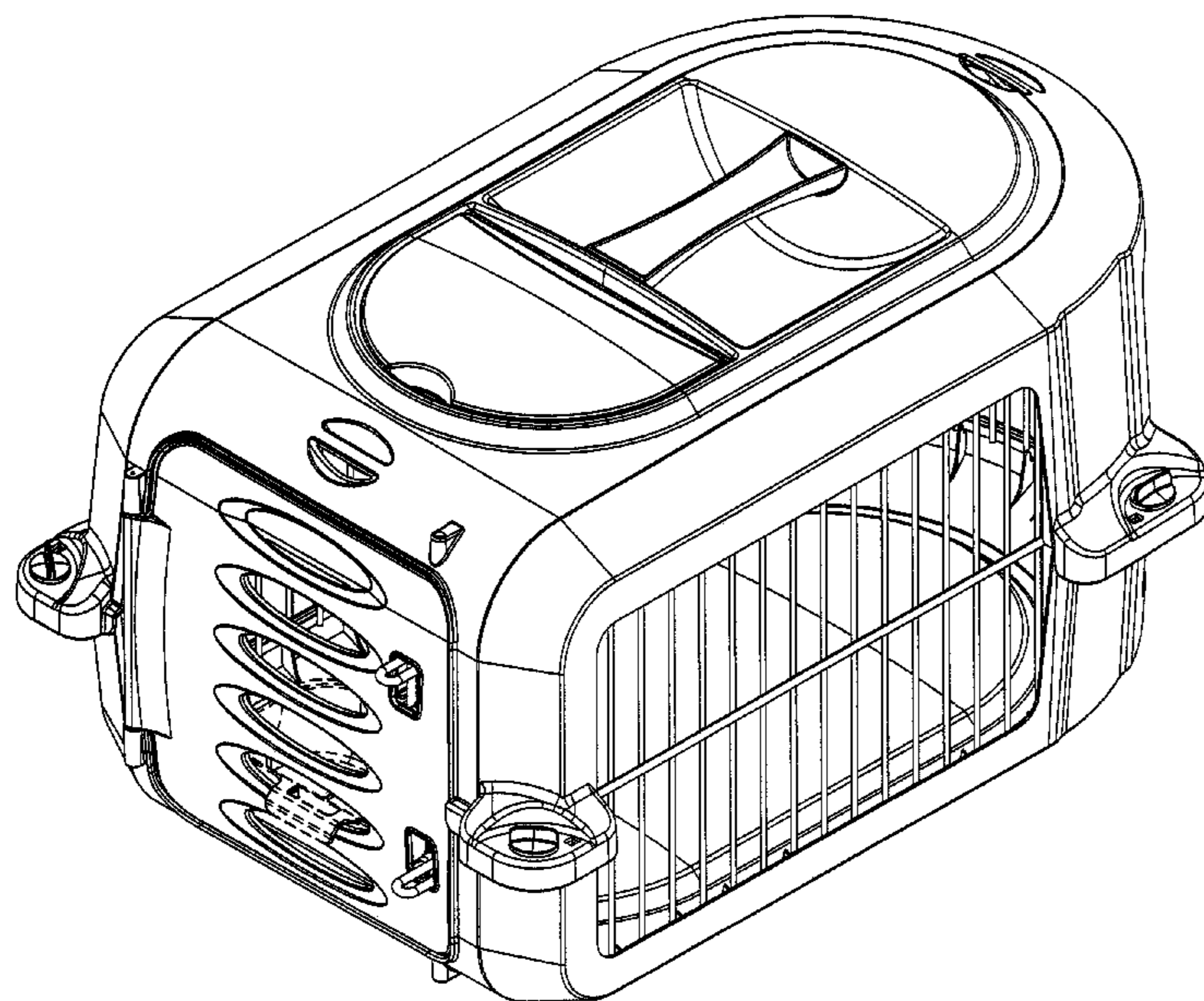
U.S. PATENT DOCUMENTS

6,427,631	B1 *	8/2002	Ross	119/496
D470,628	S *	2/2003	Kinder et al.	D30/108
6,571,740	B1 *	6/2003	Kinder et al.	119/497
2005/0284403	A1 *	12/2005	Delino	119/497
2005/0284405	A1 *	12/2005	Pomakoy-Poole et al.	119/497

* cited by examiner

Primary Examiner—Cathy Anne MacCormac

1 Claim, 11 Drawing Sheets



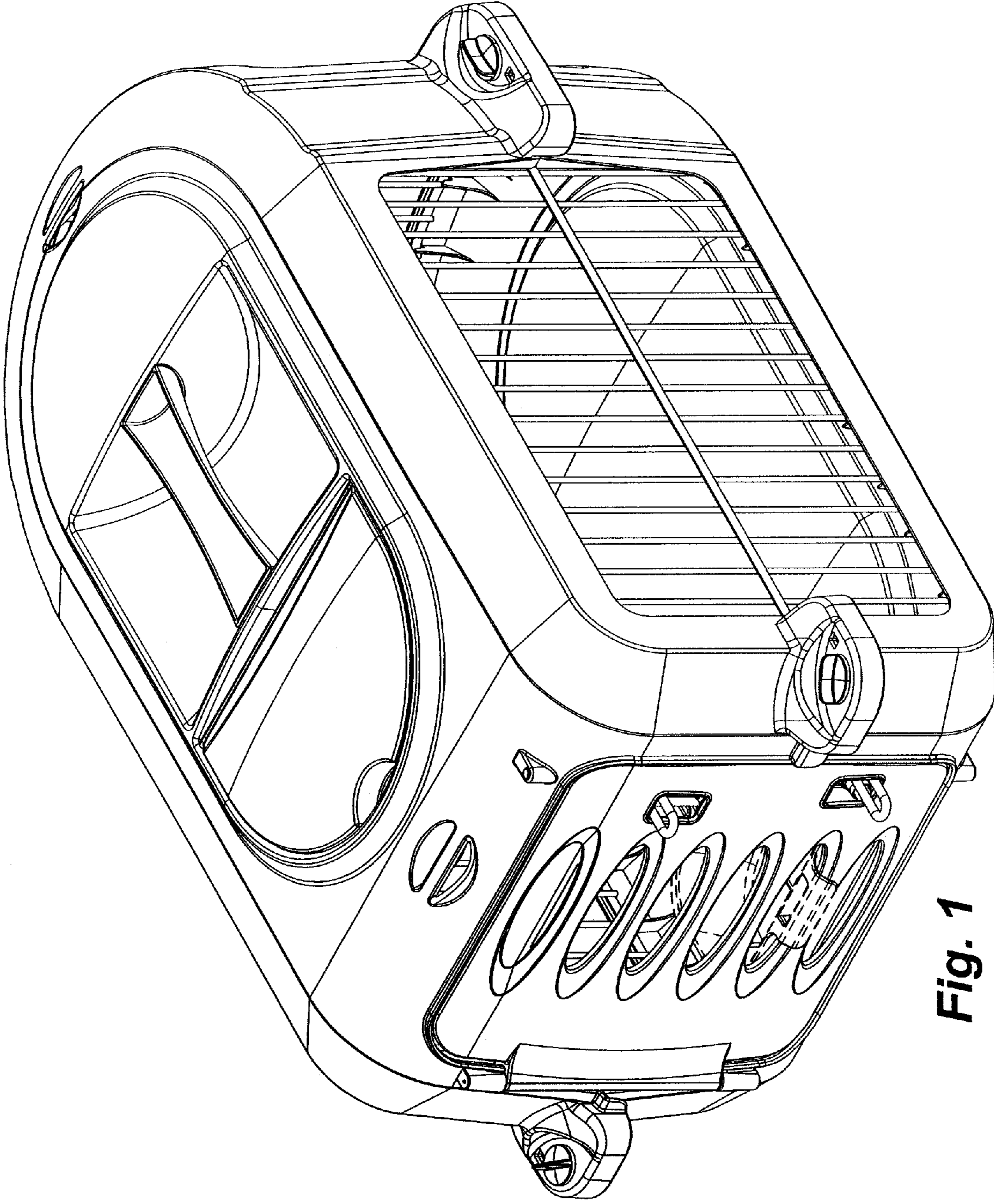


Fig. 1

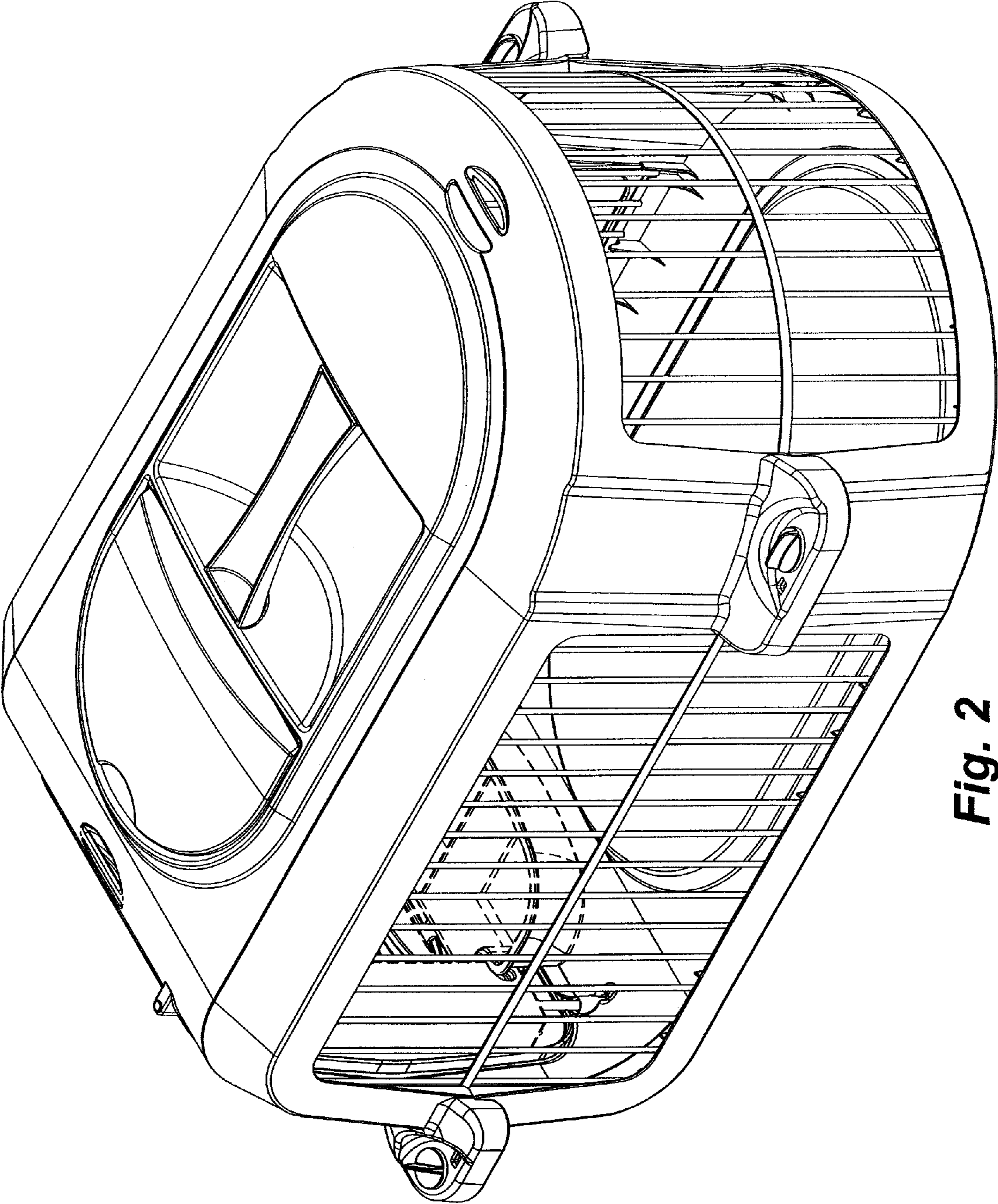


Fig. 2

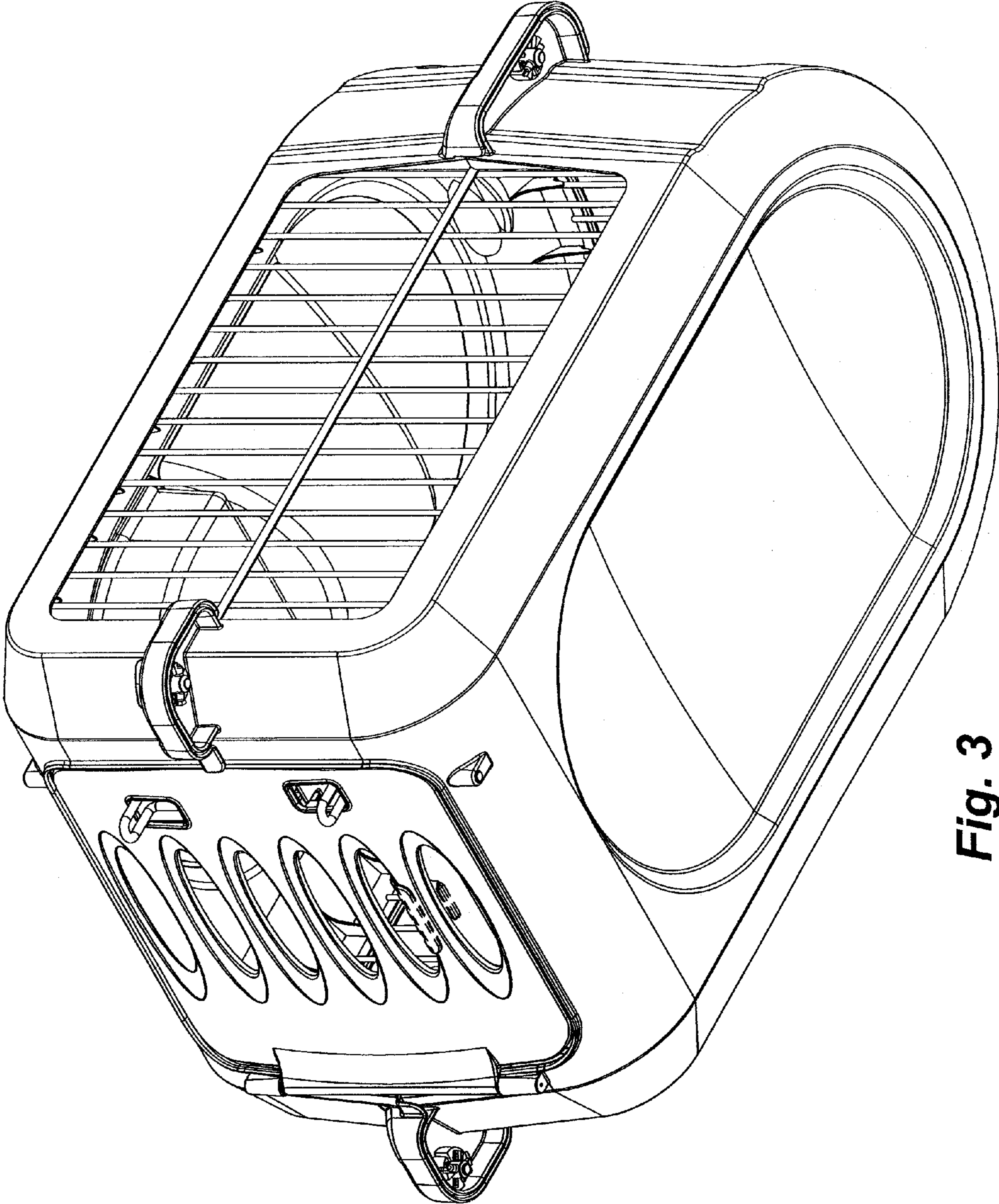


Fig. 3

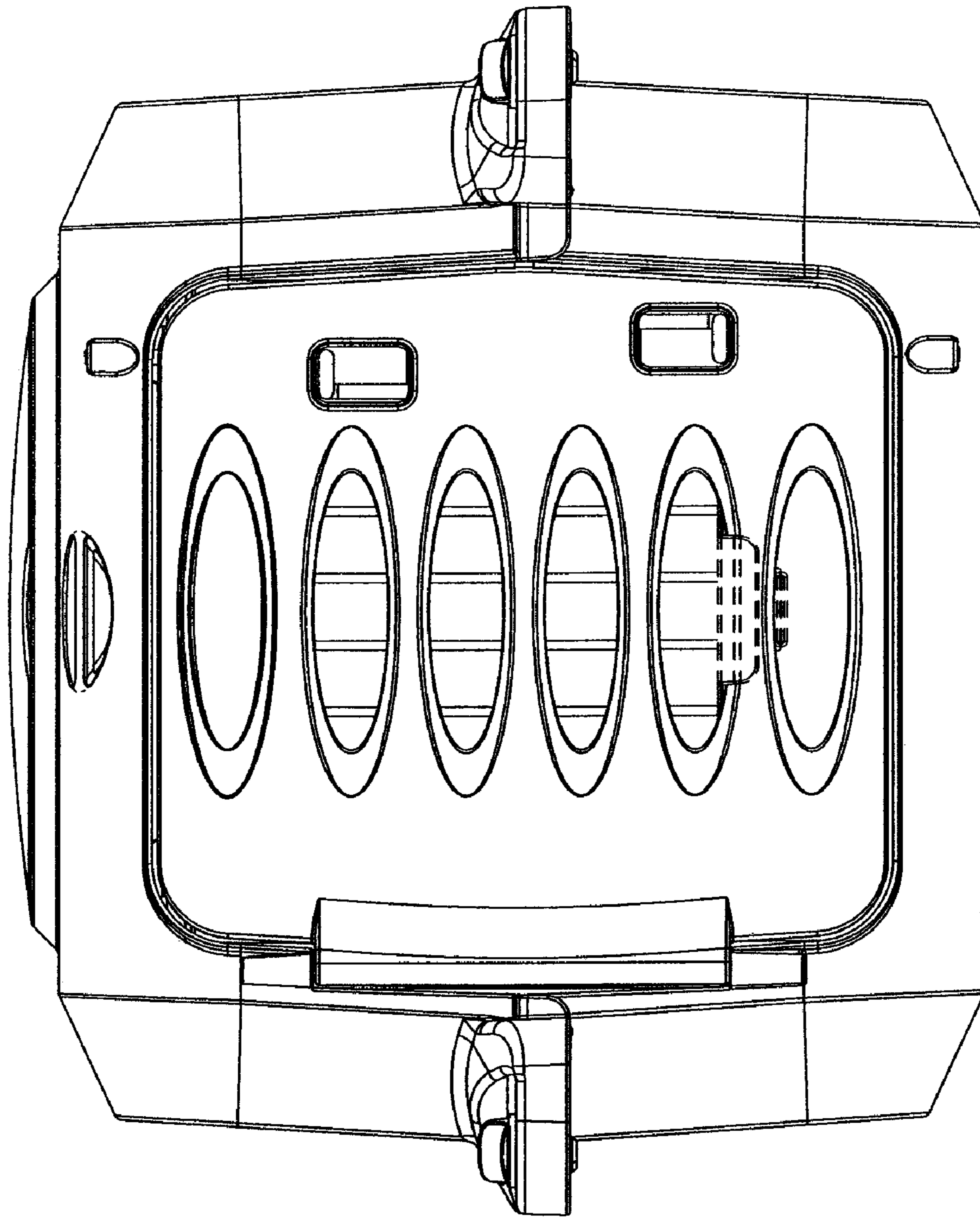


Fig. 4

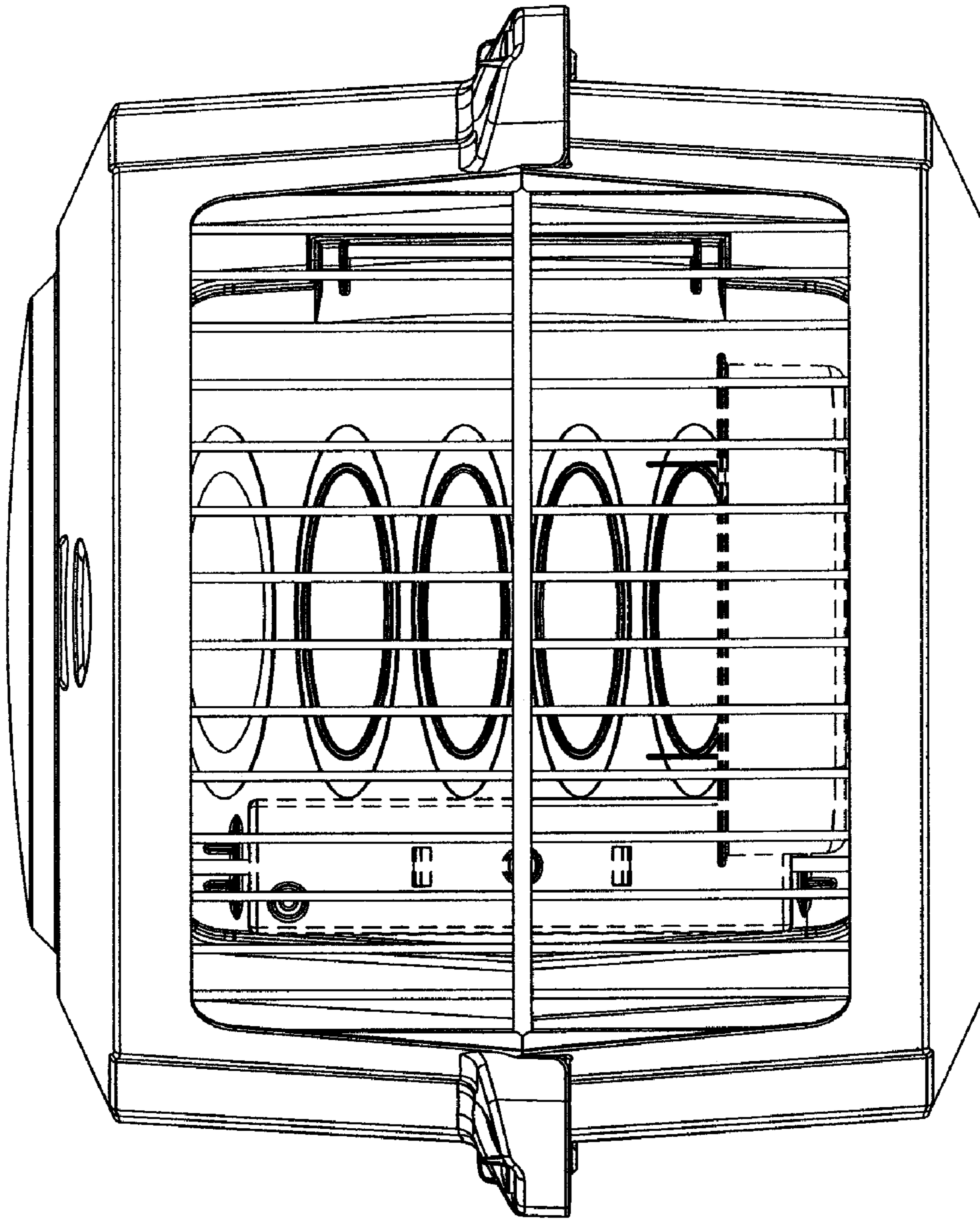


Fig. 5

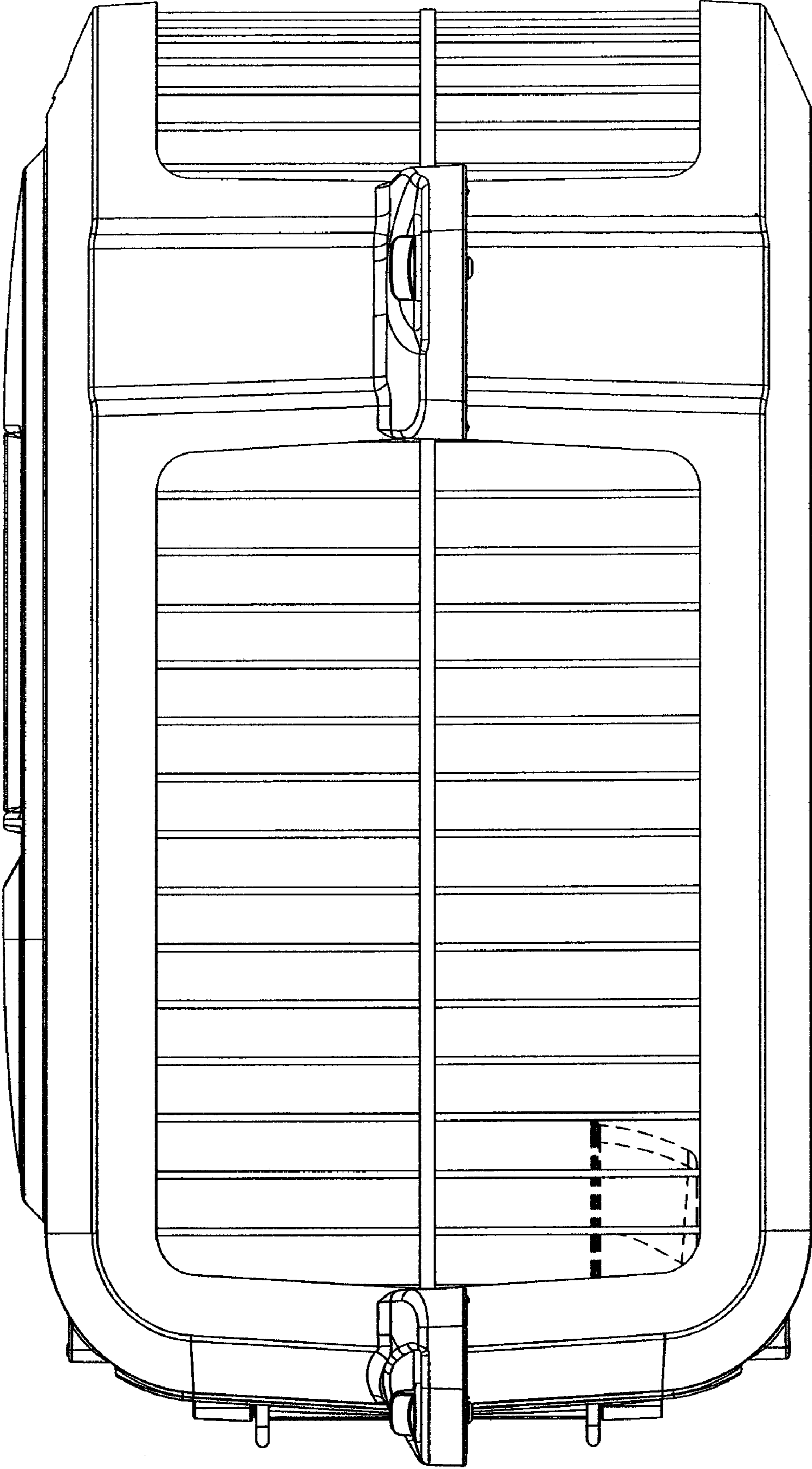


Fig. 6

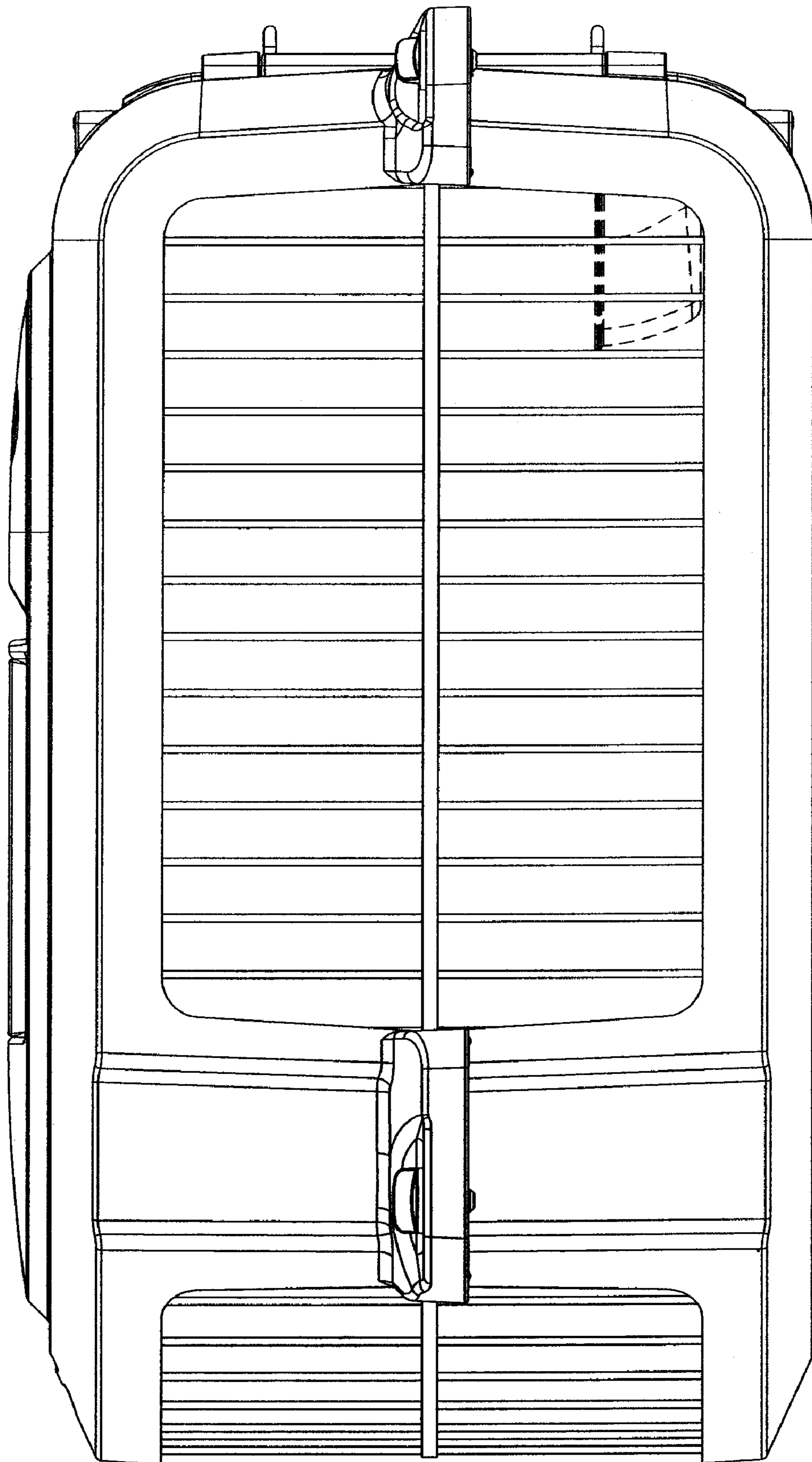


Fig. 7

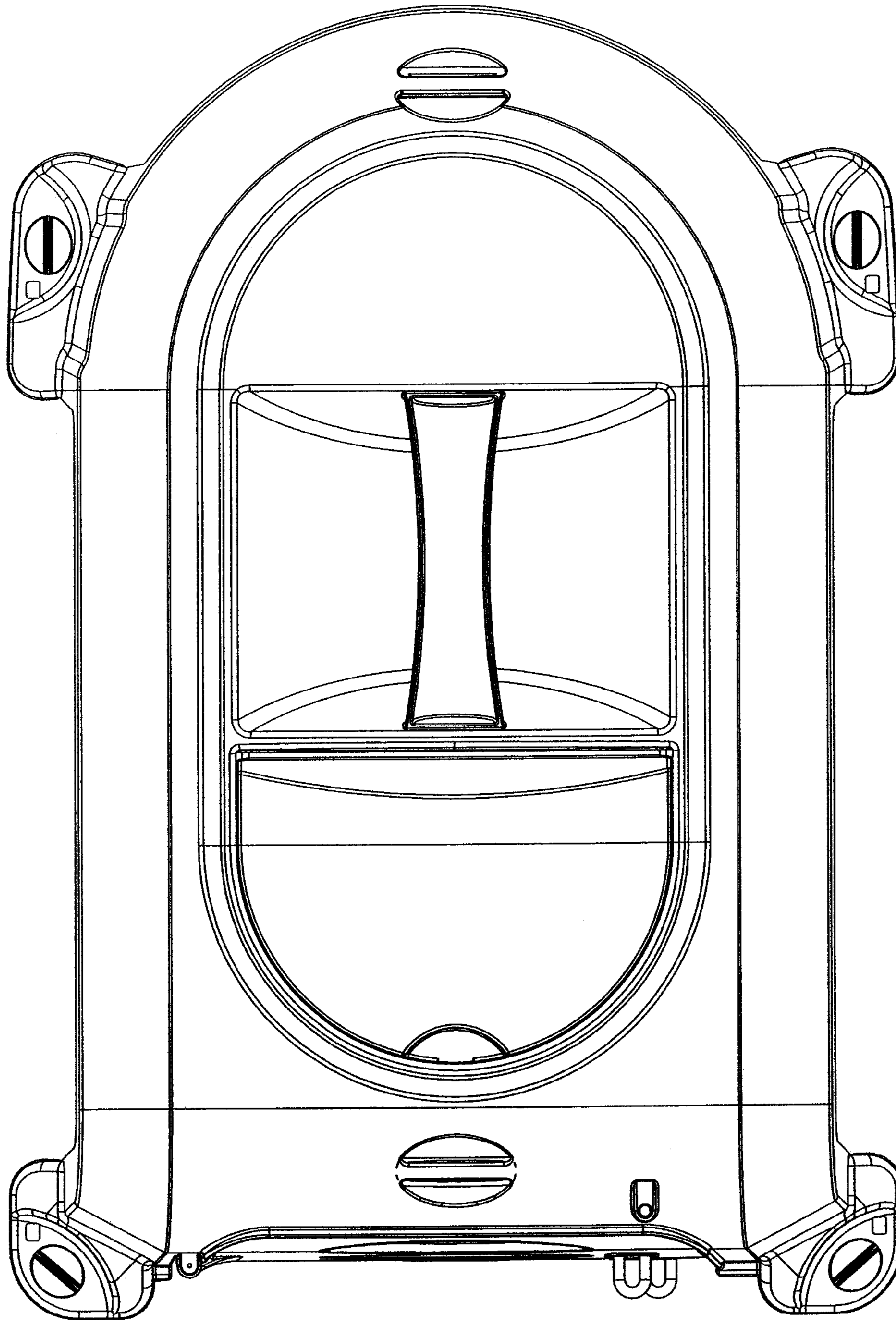


Fig. 8

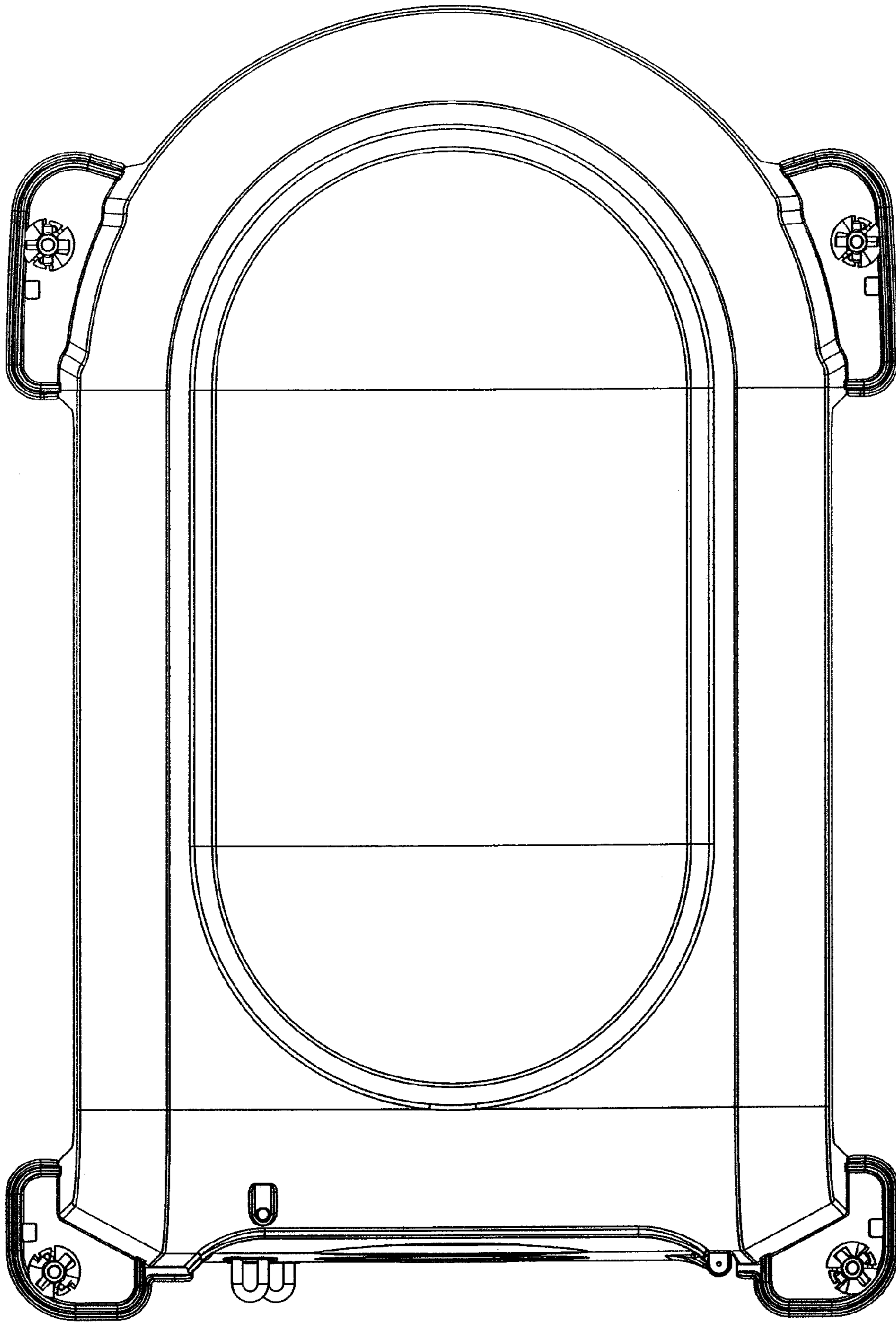


Fig. 9

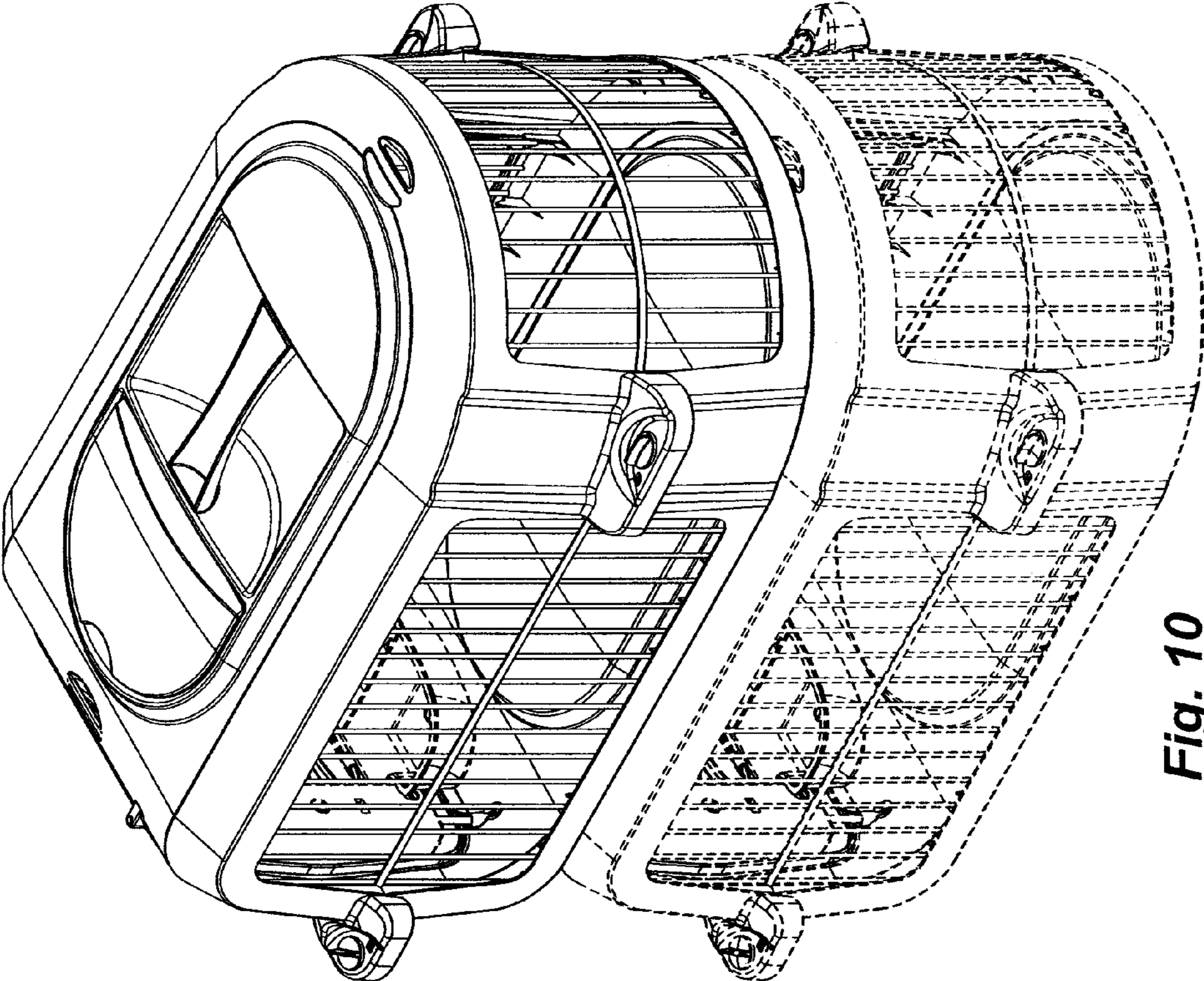


Fig. 10

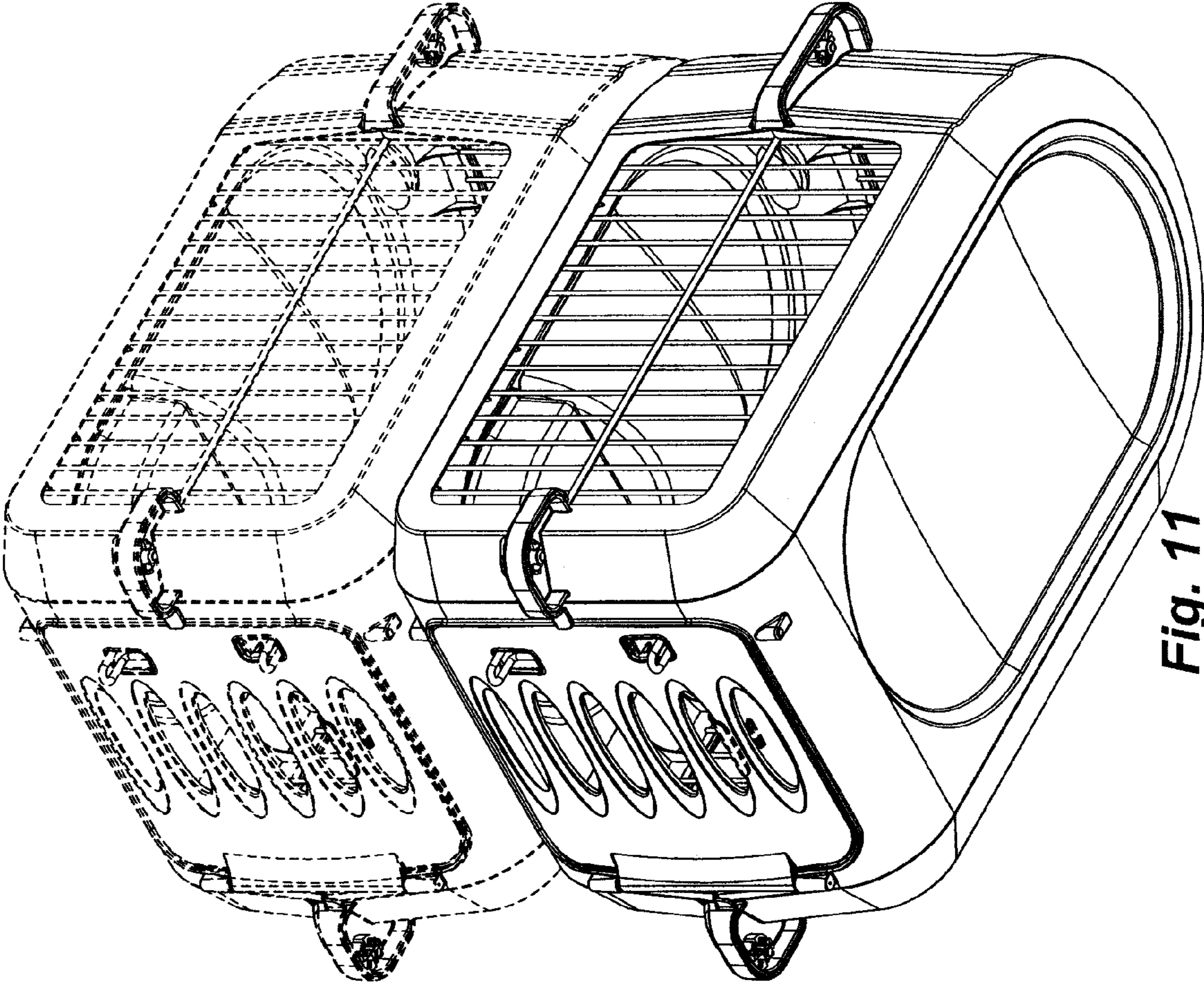


Fig. 11