



US00D570551S

(12) **United States Design Patent**
Broersma

(10) **Patent No.:** **US D570,551 S**
(45) **Date of Patent:** **** Jun. 3, 2008**

(54) **FACE MASK WITH EXTENDING
TOOTHLIKE BLOCKS**

D555,837 S * 11/2007 Chen D29/110
2005/0278833 A1* 12/2005 Pierce 2/424
2006/0090234 A1* 5/2006 Cyr 2/9

(76) **Inventor:** **Lester V. Broersma**, 2050 Camino De
La Reina #214, San Diego, CA (US)
92108

* cited by examiner

(**) **Term:** **14 Years**

Primary Examiner—Holly H Baynham
(74) *Attorney, Agent, or Firm*—Keisling Pieper & Scott
PLC; David B. Pieper; Trent C. Keisling

(21) **Appl. No.:** **29/285,480**

(57) **CLAIM**

(22) **Filed:** **Mar. 29, 2007**

The ornamental design for a face mask with extending
toothlike blocks, as shown and described.

(51) **LOC (8) Cl.** **29-02**

(52) **U.S. Cl.** **D29/108**

(58) **Field of Classification Search** D29/108–110;
2/9, 422–425, 427, 431, 436
See application file for complete search history.

DESCRIPTION

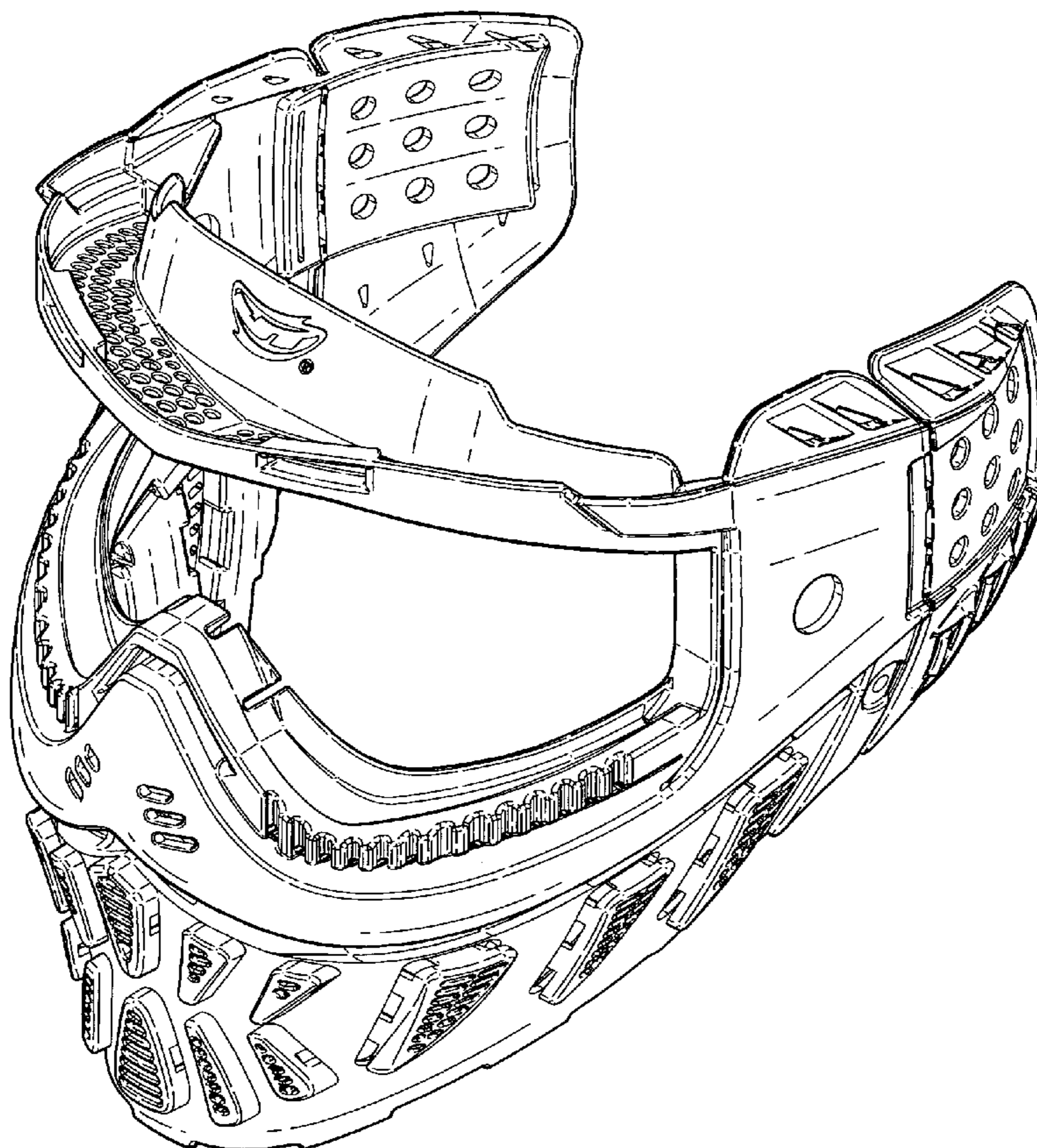
FIG. 1 is a perspective view of a face mask with extending
toothlike blocks showing my new design;
FIG. 2 is a top elevational view thereof;
FIG. 3 is a left side elevational view thereof;
FIG. 4 is a front elevational view thereof; and,
FIG. 5 is a right side elevational view thereof;
FIG. 6 is a back elevational view thereof; and,
FIG. 7 is a bottom elevational view thereof.

(56) **References Cited**

U.S. PATENT DOCUMENTS

6,381,749	B1 *	5/2002	Cyr	2/9
6,886,183	B2 *	5/2005	DeHaan et al.	2/6.7
7,003,802	B2 *	2/2006	Broersma	2/9
D522,697	S *	6/2006	Chen	D29/108
D526,094	S *	8/2006	Chen	D29/108
D529,234	S *	9/2006	Broersma	D29/108

1 Claim, 7 Drawing Sheets



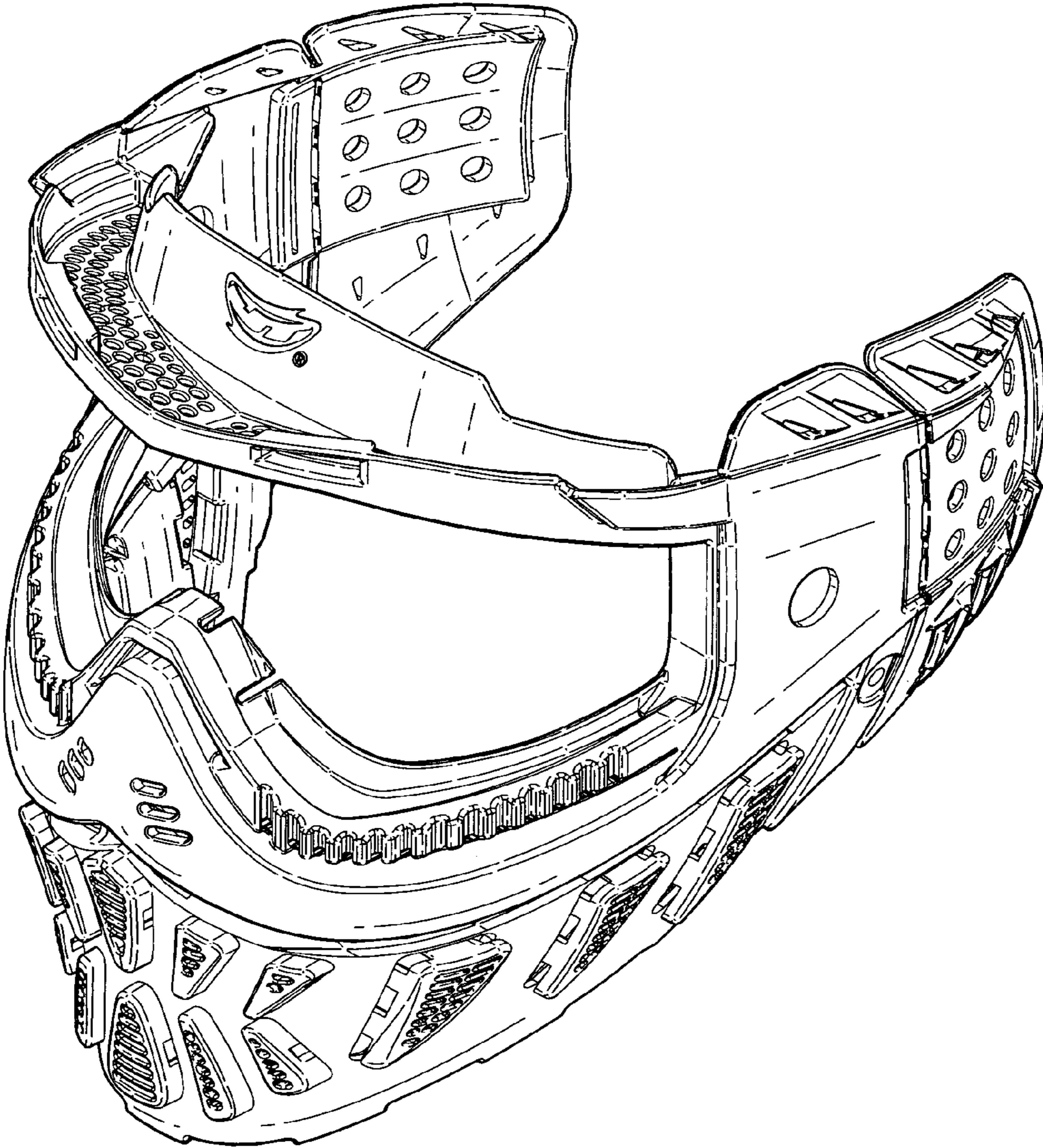


FIG. 1

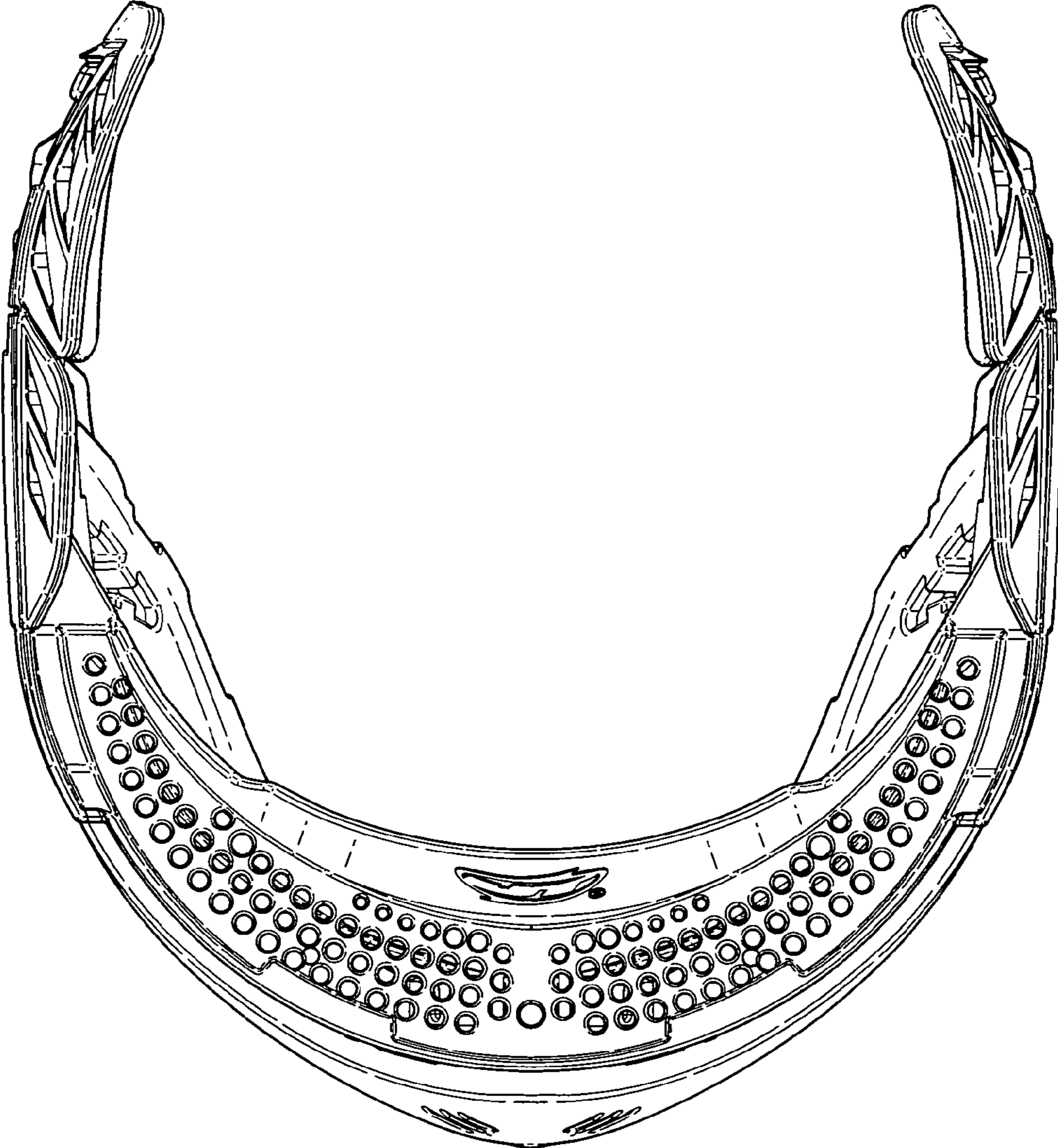


FIG. 2

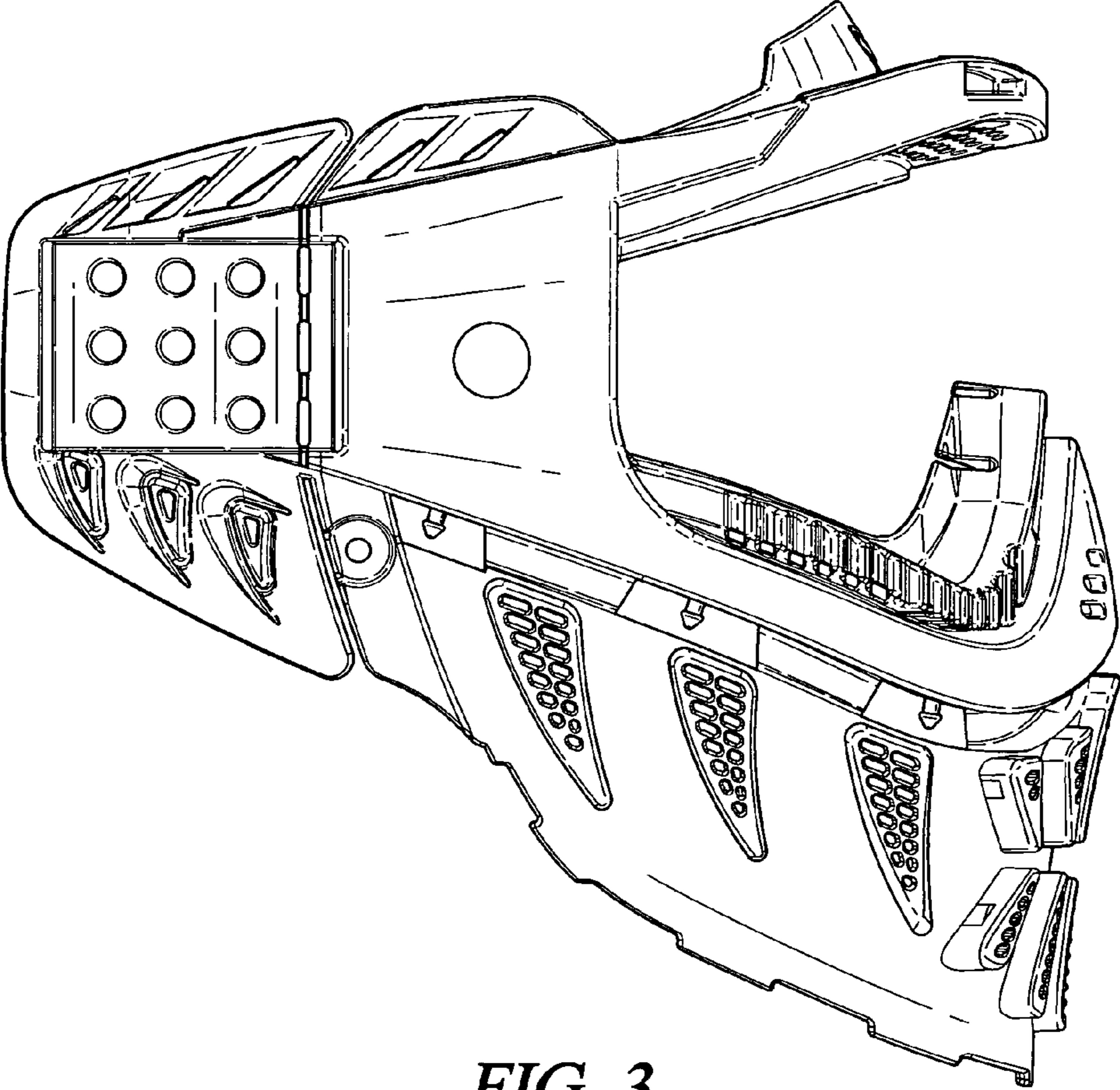


FIG. 3

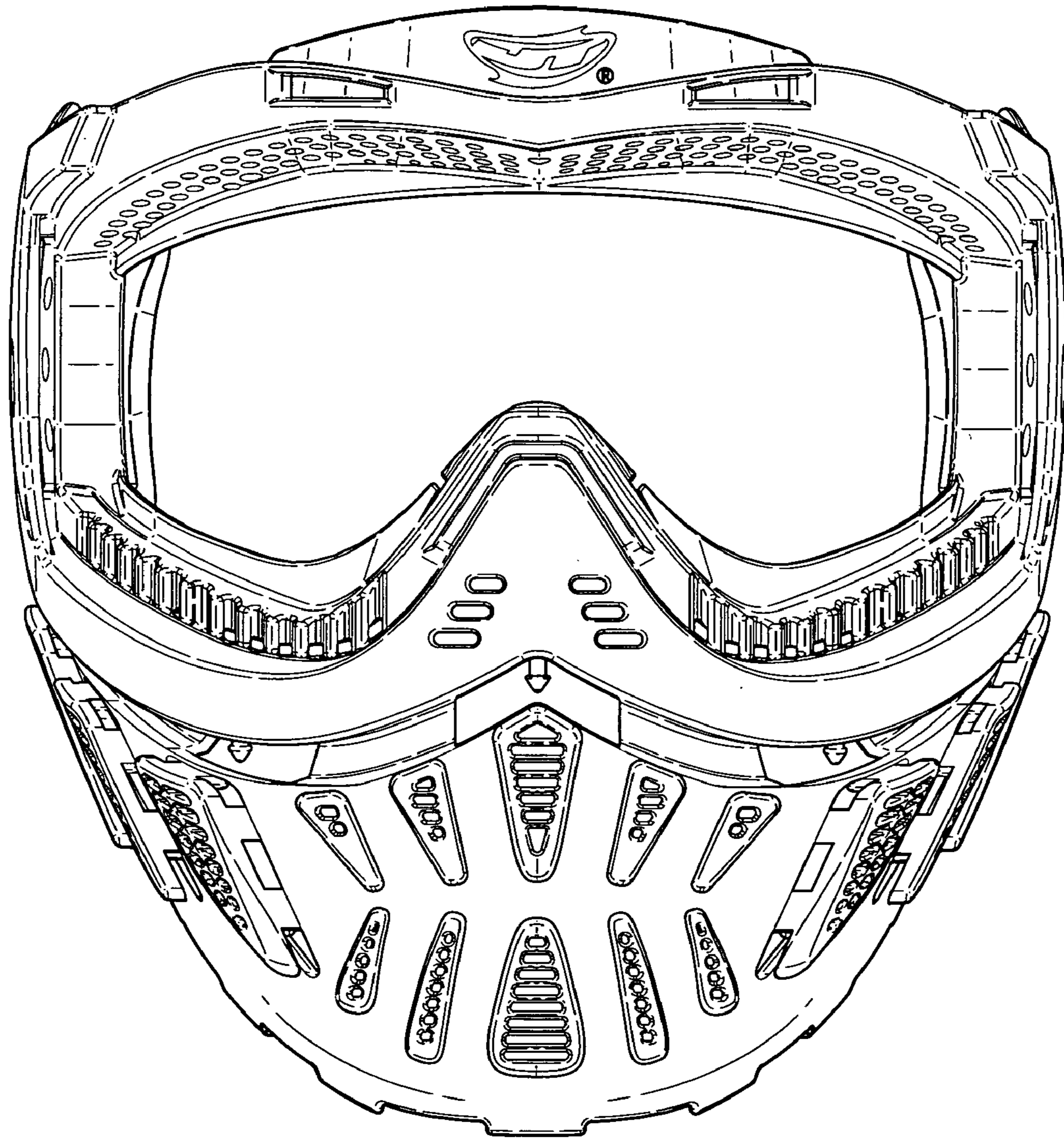


FIG. 4

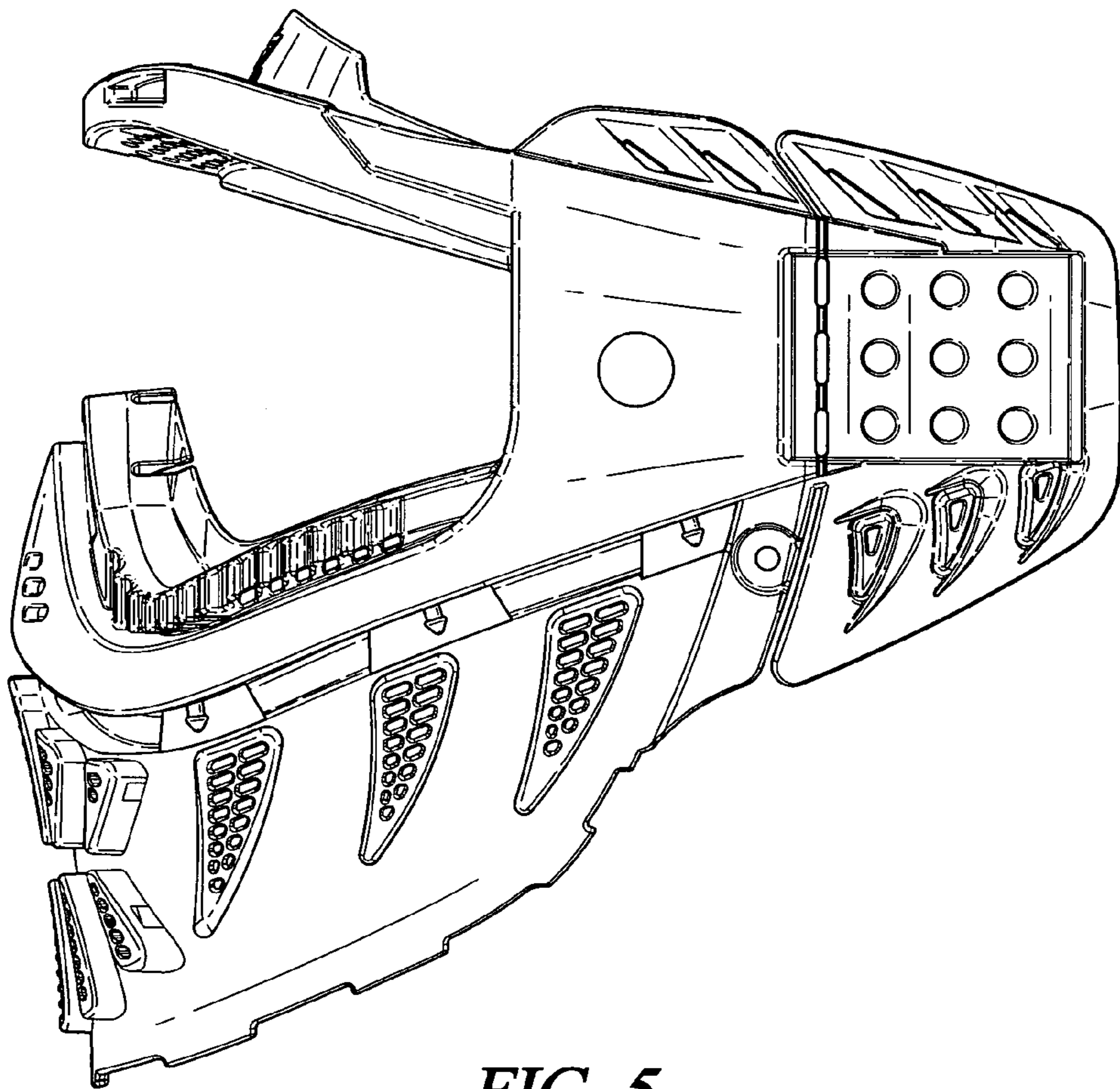


FIG. 5

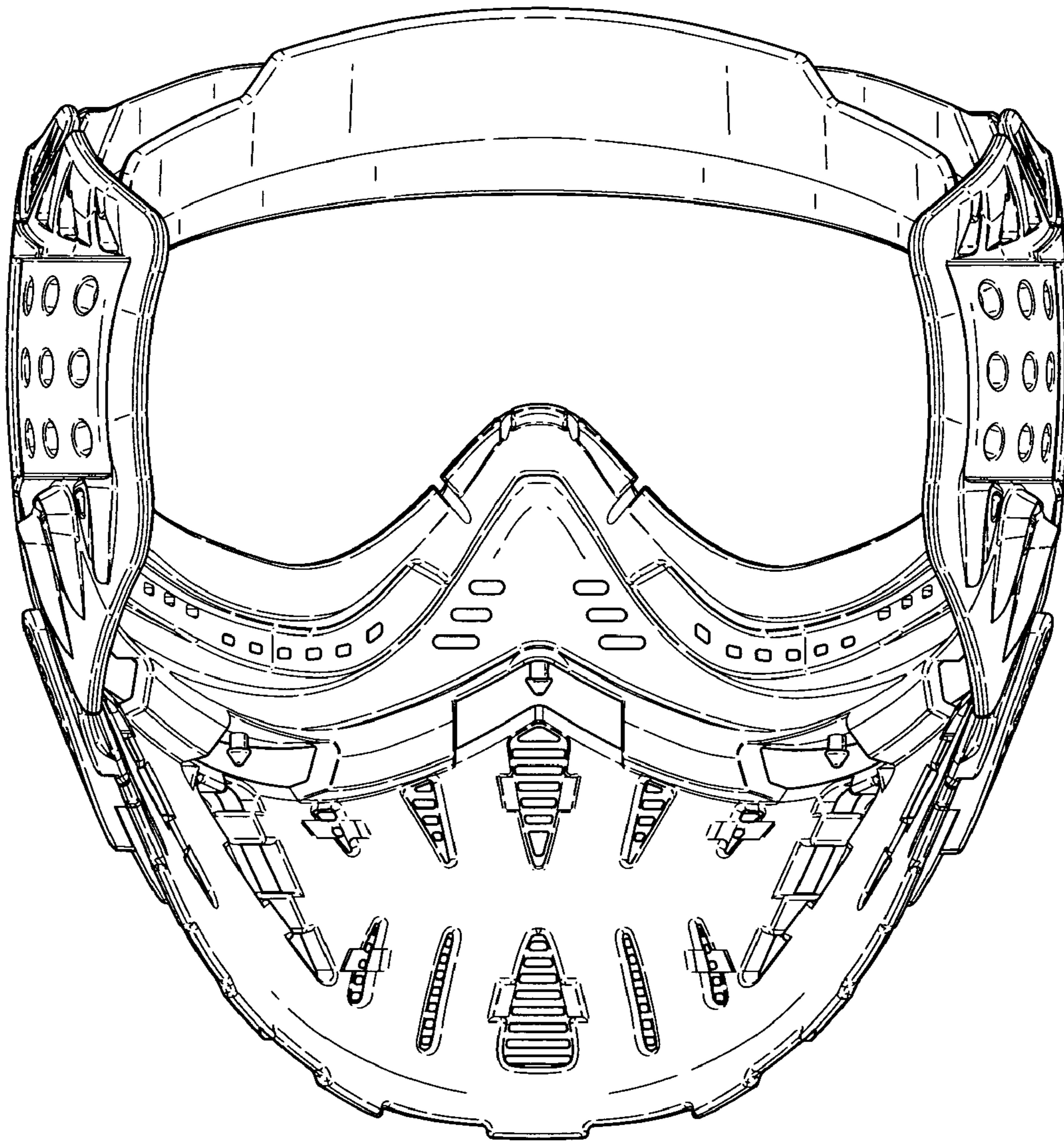


FIG. 6

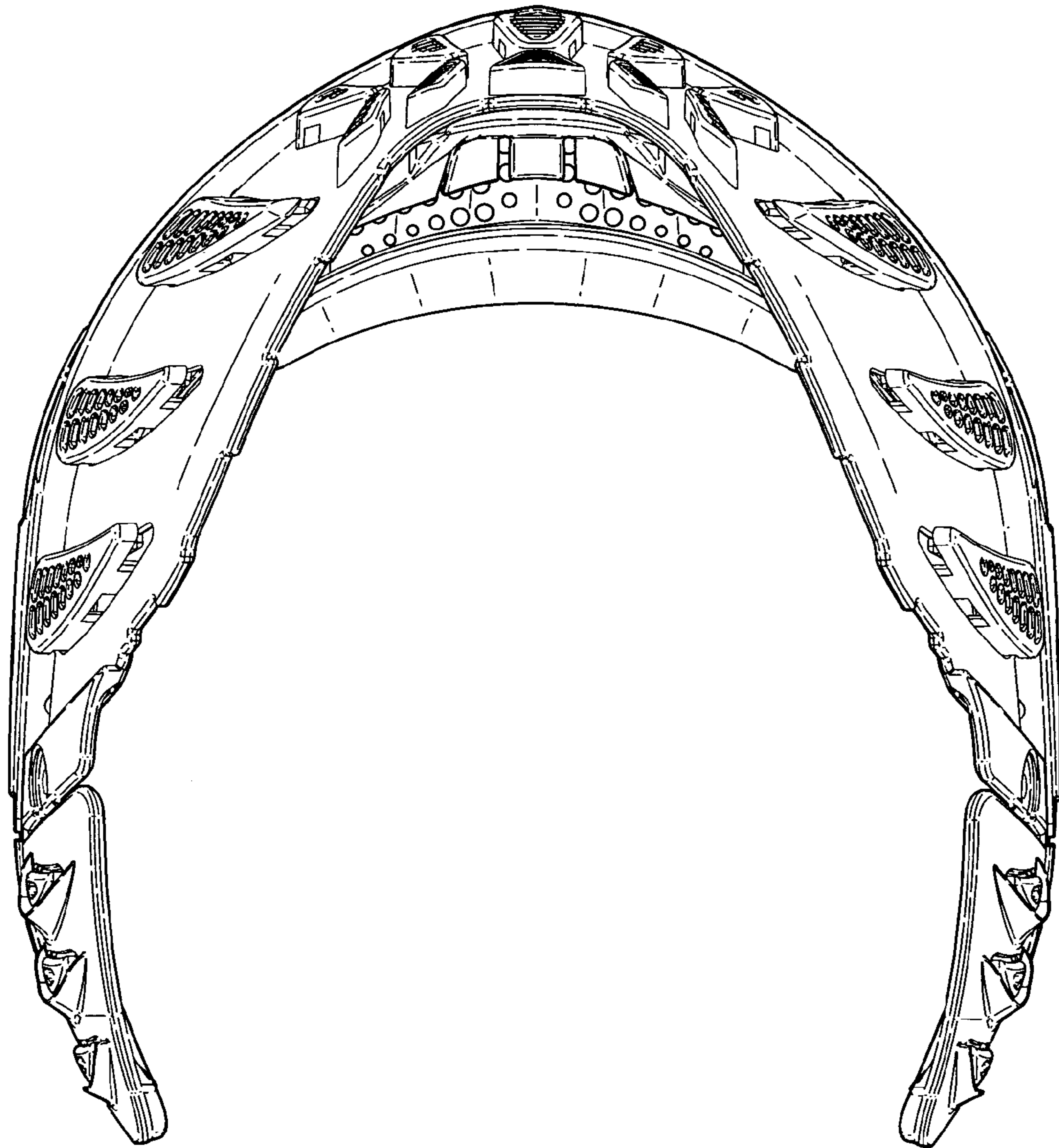


FIG. 7