

US00D570540S

(12) **United States Design Patent**
Feldmann et al.

(10) **Patent No.:** **US D570,540 S**
(45) **Date of Patent:** **** Jun. 3, 2008**

(54) **CIGARETTE FORMING MACHINE**

6,206,006 B1 * 3/2001 Schutze et al. 131/70
D547,002 S * 7/2007 Lin D27/194

(75) Inventors: **Andre Feldmann**, Hamburg (DE);
Arne J. Schultchen, Hamburg (DE)

FOREIGN PATENT DOCUMENTS

(73) Assignee: **Philip Morris USA Inc.**, Richmond,
VA (US)

DE 269 876 2/1914
DE 338800 C1 7/1921
DE 471 253 2/1932

(**) Term: **14 Years**

(21) Appl. No.: **29/269,145**

(Continued)

(22) Filed: **Nov. 22, 2006**

OTHER PUBLICATIONS

(51) **LOC (8) Cl.** **27-99**

International Search Report and Written Opinion of Jan. 29, 2007
(issued by the EPO for PCT/EP2006/068905).

(52) **U.S. Cl.** **D27/194**

(58) **Field of Classification Search** D27/194;
131/70-75

(Continued)

See application file for complete search history.

Primary Examiner—Jennifer Rivard

(56) **References Cited**

(74) *Attorney, Agent, or Firm*—Buchanan Ingersoll &
Rooney PC

U.S. PATENT DOCUMENTS

(57) **CLAIM**

- 45,489 A 12/1864 Green
- 214,639 A 2/1879 Emery
- 1,144,824 A 6/1915 Dula
- 1,365,969 A 1/1921 Dula
- 1,718,678 A 6/1929 Alland
- 2,551,095 A 5/1951 Chaze
- 3,491,768 A 1/1970 Paynter
- 4,155,367 A 5/1979 Rudszinat et al.
- 4,167,091 A 9/1979 Ruppert et al.
- 4,303,082 A 12/1981 Thompson et al.
- 4,620,551 A 11/1986 Ruppert et al.
- 4,658,837 A 4/1987 Ruppert et al.
- 4,771,793 A * 9/1988 Kastner 131/70
- 4,887,617 A 12/1989 Ruppert et al.
- 5,009,237 A 4/1991 Ruppert et al.
- 5,072,740 A 12/1991 Gatschmann et al.
- 5,141,000 A 8/1992 Ruppert et al.
- 5,167,241 A 12/1992 Ruppert et al.
- 5,197,495 A 3/1993 Ruppert et al.
- 5,526,825 A 6/1996 Ruppert et al.
- 5,615,692 A 4/1997 Ruppert et al.
- 5,657,768 A * 8/1997 Neumann et al. 131/70
- 5,749,378 A 5/1998 Ruppert et al.
- D436,687 S * 1/2001 Kastner D27/194

The ornamental design for a cigarette forming machine, as shown and described.

DESCRIPTION

FIG. 1 is a perspective view of a cigarette forming machine showing our new design.

FIG. 2 is a top plan view of the cigarette forming machine of our new design.

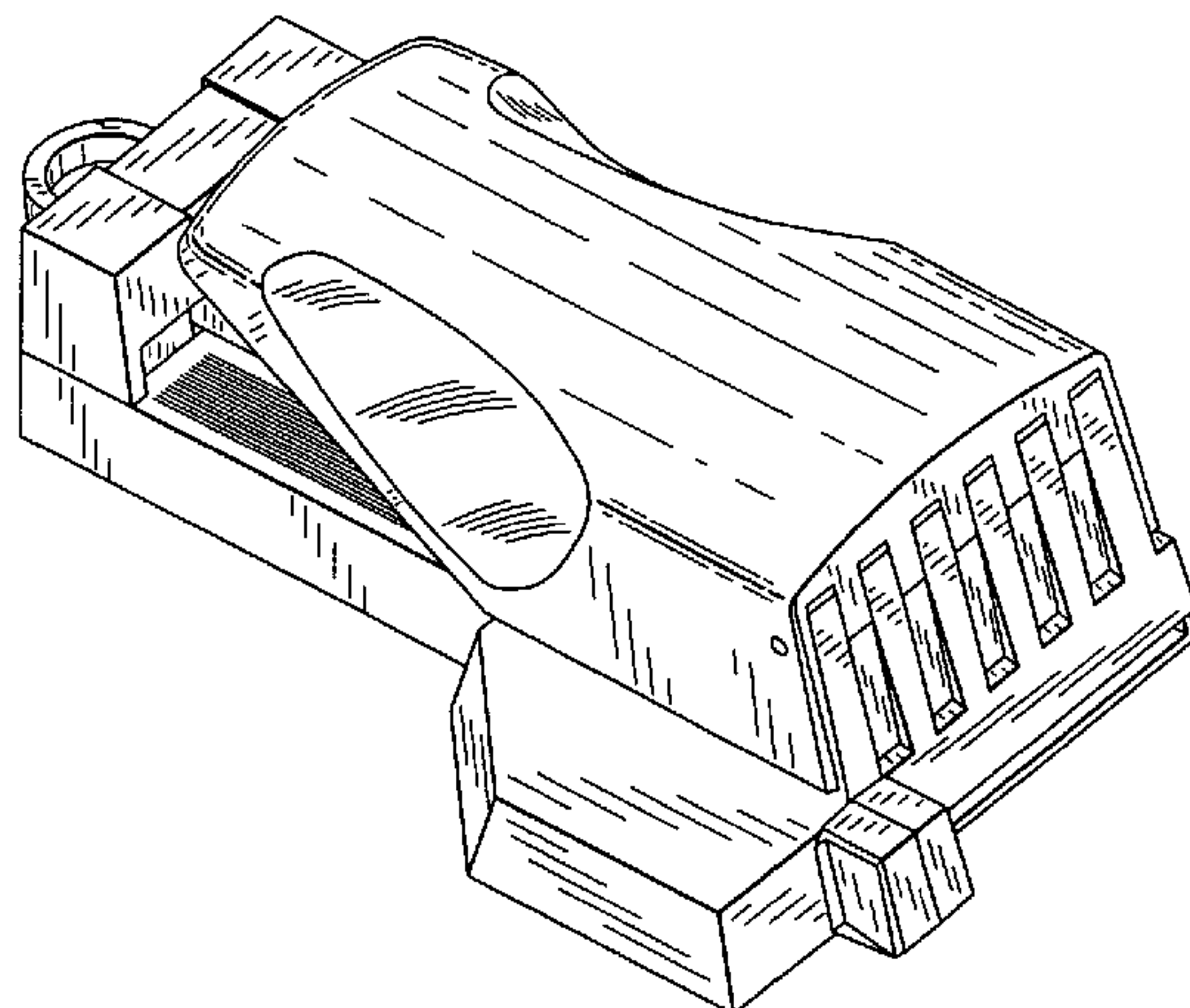
FIG. 3 is a front elevational view of the cigarette forming machine of our new design.

FIG. 4 is a rear elevational view of the cigarette forming machine of our new design.

FIG. 5 is a left-side elevational view of the cigarette forming machine of our new design; and,

FIG. 6 is a right-side elevational view of the cigarette forming machine of our new design.

1 Claim, 3 Drawing Sheets



US D570,540 S

Page 2

FOREIGN PATENT DOCUMENTS

DE	2 049 587	5/1972
DE	2 139 242	3/1973
DE	26 24 493 A1	12/1977
DE	28 49 920 A1	5/1979
DE	31 49 584 A1	6/1983
DE	32 44 906 A1	6/1984
DE	37 06 504 A1	9/1988
DE	37 06 960 A1	9/1988
DE	37 11 061 A1	10/1988
DE	38 31 420 A1	3/1990
DE	41 10 830 C1	5/1992
DE	41 07 027 A1	9/1992
DE	43 39 039 A1	5/1995
DE	44 47 794 C2	6/1995
DE	195 28 581 B4	5/2004
DE	103 46 649 A1	5/2005
DE	44 47 795 B4	4/2006
DE	10 2005 015 849 A1	10/2006
DE	20 2006 009 366 U1	10/2006
DE	20 2006 018 957 U1	6/2007
EP	0 144 060 A2	6/1985
EP	0 378 774 A3	7/1990
EP	0 399 143 A1	11/1990
EP	0 584 805 A1	3/1994
EP	0 532 728 B1	11/1994
EP	0 647 411 A1	4/1995
EP	0 970 626 A1	1/2000
EP	1 138 214 A2	10/2001

EP	1 177 731 A2	2/2002
EP	1 604 577 A2	12/2005
EP	1 772 068 A1	4/2007
FR	981 912	6/1951
WO	03/082030 A1	10/2003
WO	2004/047569 A2	6/2004
WO	2005/104881 A1	11/2005
WO	2006/102763 A1	10/2006
WO	2006/130367 A2	12/2006
WO	2007/058811 A1	5/2007
WO	2007/060226 A1	5/2007
WO	2007/076349 A1	7/2007

OTHER PUBLICATIONS

Reynald Aeschlimann et al., U.S. Appl. No. 11/603,096, filed Nov. 22, 2006, entitled "Tobacco Slab".

Julia C. Andersen et al., U.S. Appl. No. 11/603,249, filed Nov. 22, 2006, entitled "Device for Filling Cigarette Tubes With Tobacco".

Lucien Meier et al., U.S. Appl. No. 11/264,293, filed Aug. 8, 2006, entitled "PACKAGE".

Lucien Meier et al., U.S. Appl. No. 11/264,284, filed Aug. 8, 2006, entitled "Tobacco Block".

English translation of European Search Report issued in EP 05 11 1339, dated Jun. 22, 2006.

European Search Report issued in EP 06 10 0613, dated Jun. 20, 2006.

* cited by examiner

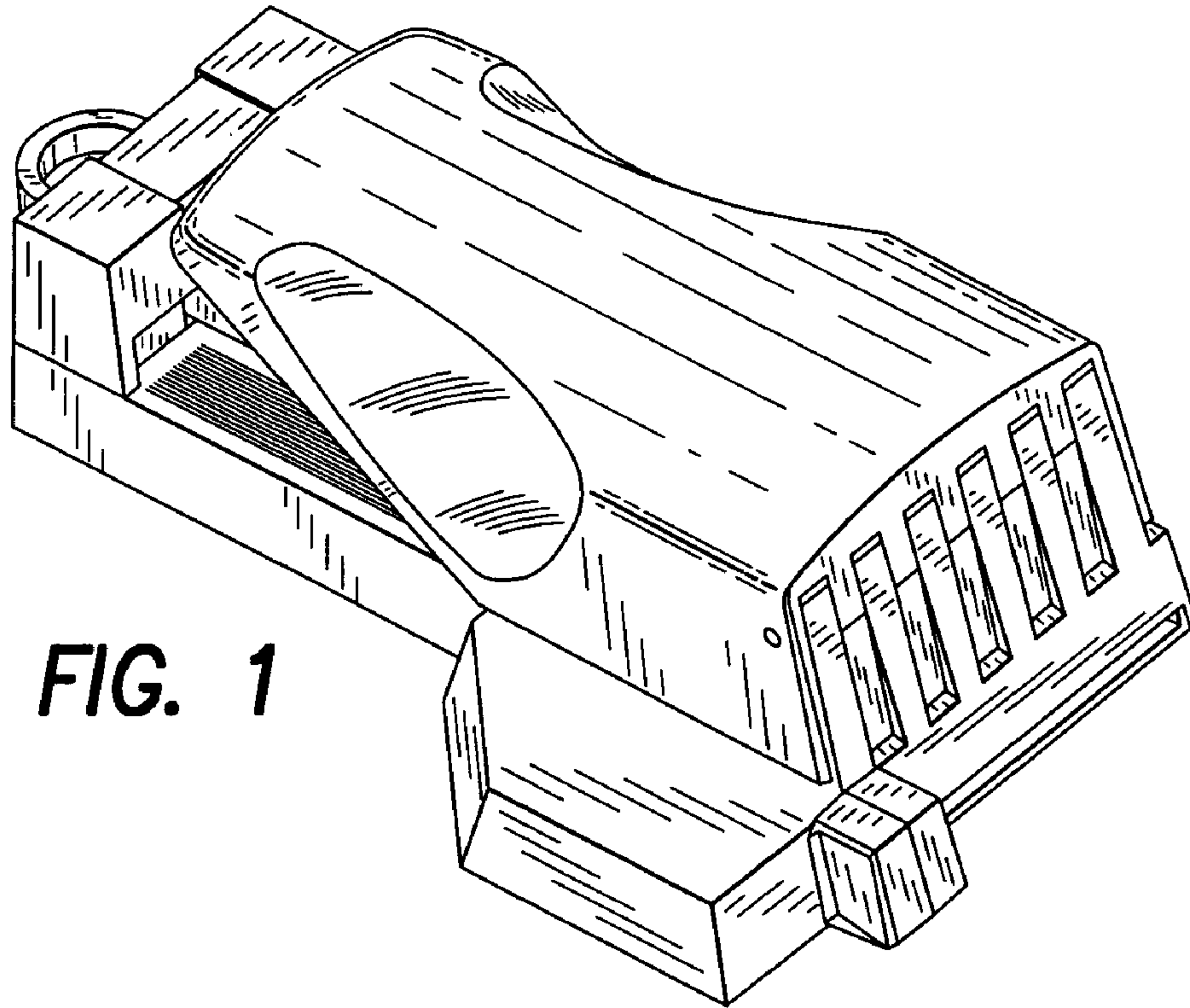


FIG. 1

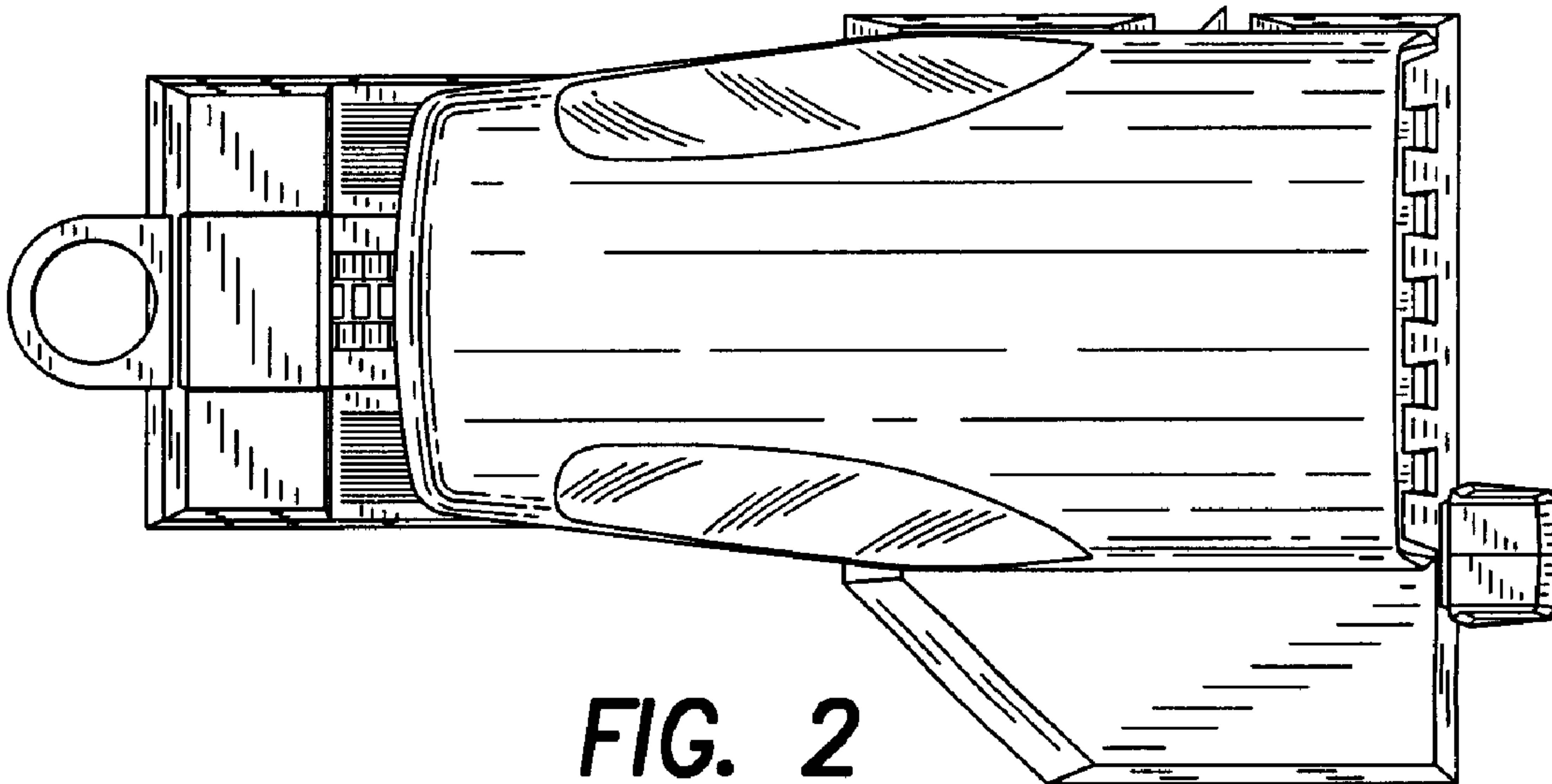


FIG. 2

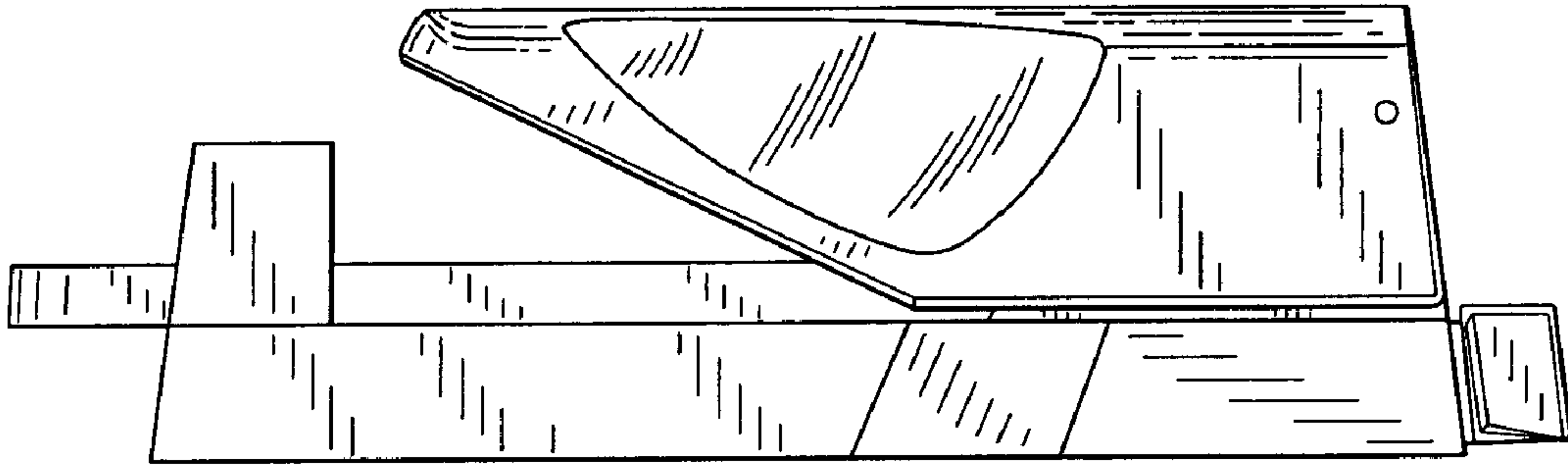


FIG. 3

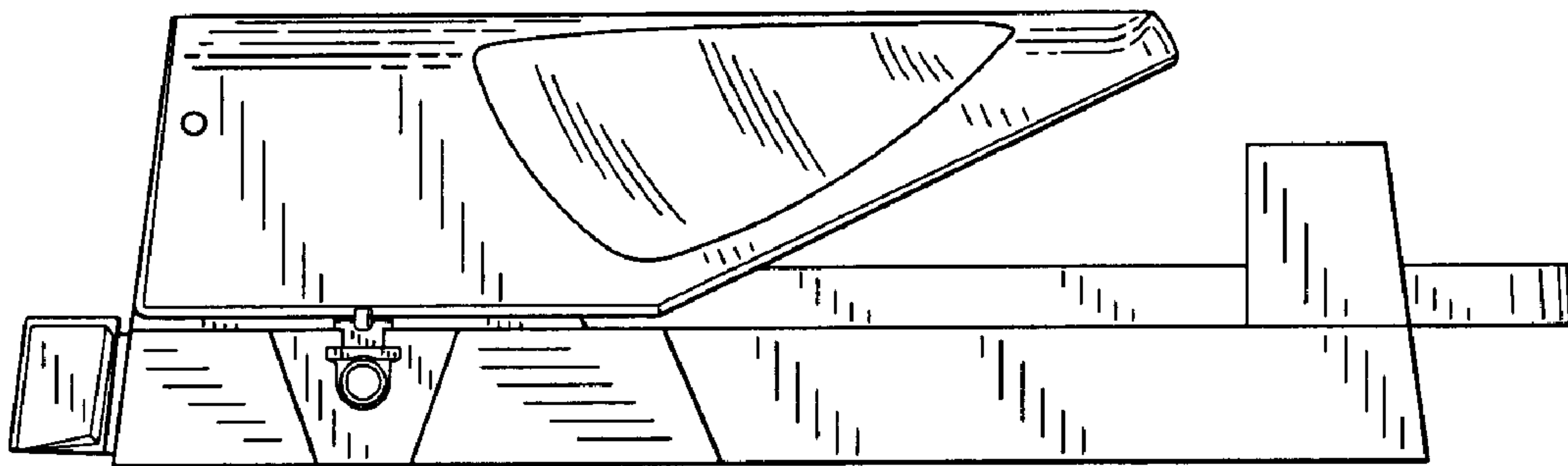


FIG. 4

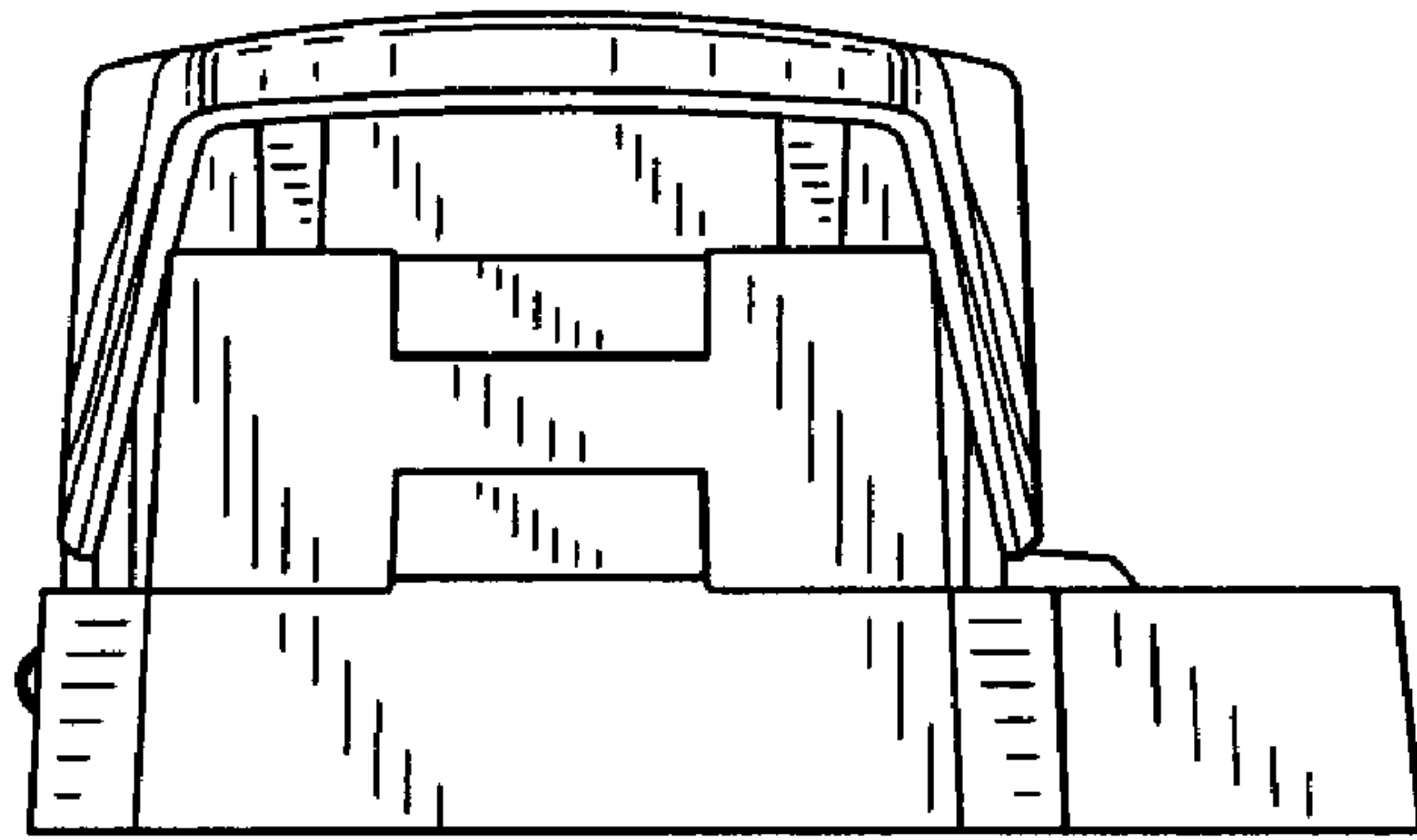


FIG. 5

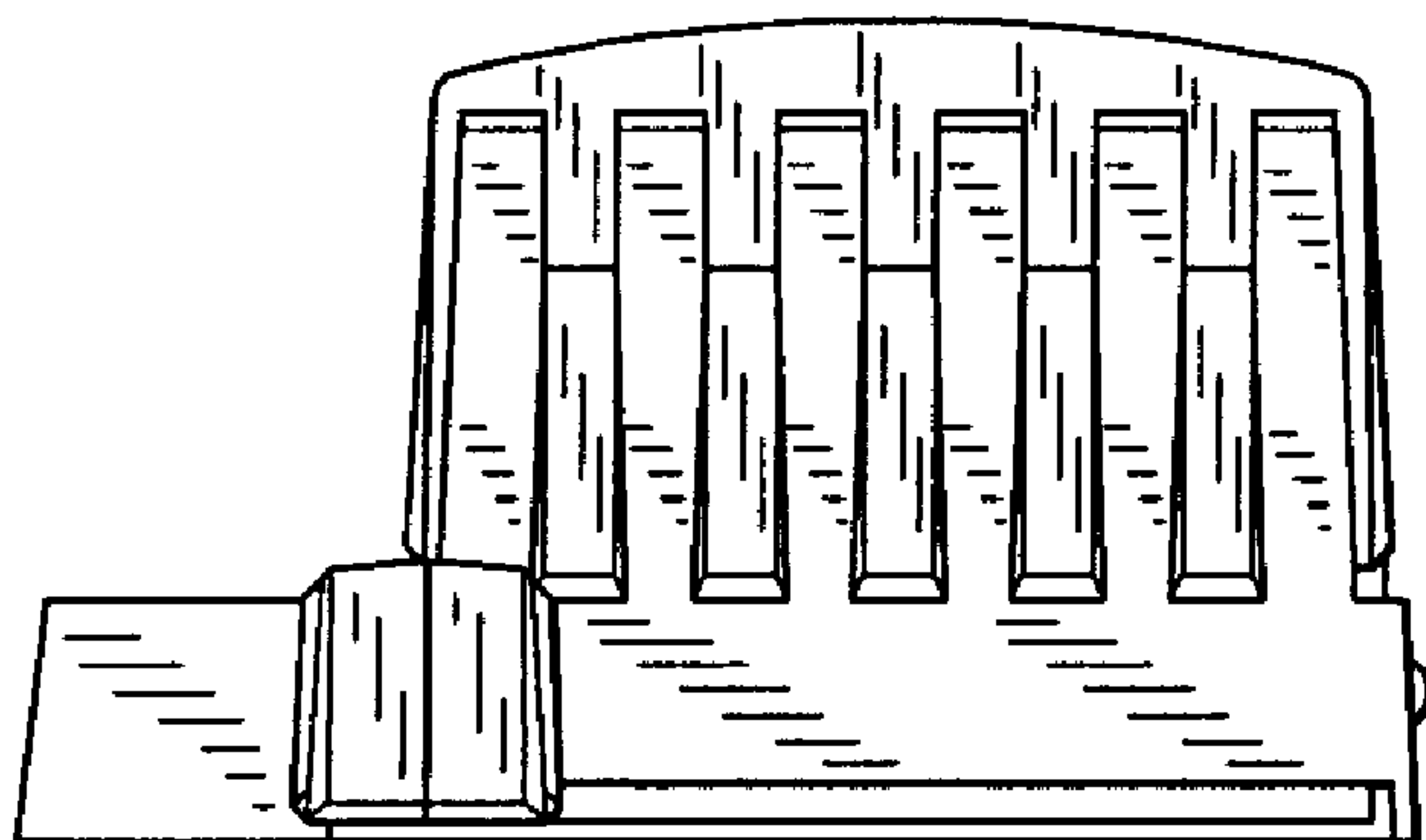


FIG. 6