



US00D570535S

(12) **United States Design Patent**  
**Kinnune et al.**

(10) **Patent No.:** **US D570,535 S**  
(45) **Date of Patent:** **\*\* Jun. 3, 2008**

(54) **ADJUSTABLE TENON MOUNT FOR LIGHTING FIXTURE**

(75) Inventors: **Brian L. Kinnune**, Racine, WI (US);  
**Alan J. Ruud**, Racine, WI (US);  
**Wayne P. Guillien**, Franksville, WI (US);  
**Kurt S. Wilcox**, Libertyville, IL (US);  
**Russell S. Schultz**, Racine, WI (US);  
**Steven R. Walczak**, Hales Corners, WI (US)

(73) Assignee: **Ruud Lighting, Inc.**, Racine, WI (US)

(\*\*) Term: **14 Years**

(21) Appl. No.: **29/279,694**

(22) Filed: **May 4, 2007**

(51) **LOC (8) Cl.** ..... **26-99**

(52) **U.S. Cl.** ..... **D26/142**

(58) **Field of Classification Search** ..... D26/155,  
D26/145, 71, 60, 68, 113, 118, 24, 61, 62,  
D26/63, 64, 67, 72, 93, 138, 140, 141, 142,  
D26/150, 151, 152, 153, 154; 362/147, 151,  
362/153, 224, 257, 277, 280, 285, 287, 368,  
362/370, 441, 432; 248/205.1; D6/332,  
D6/350, 399, 459; D25/63

See application file for complete search history.

(56) **References Cited**

**U.S. PATENT DOCUMENTS**

D49,999 S \* 12/1916 Moritz ..... D26/60  
2,254,790 A \* 9/1941 Benton ..... 362/523  
2,345,393 A \* 3/1944 Heyermans ..... 248/122.1

(Continued)

**OTHER PUBLICATIONS**

Excerpt from Ruud Lighting catalog. Date: 1998.

*Primary Examiner*—Freda S. Nunn

*Assistant Examiner*—Kevin K Rudzinski

(74) *Attorney, Agent, or Firm*—Jansson Shupe & Munger Ltd.

(57) **CLAIM**

The ornamental design for an adjustable tenon mount for lighting fixture, as shown and described.

**DESCRIPTION**

FIG. 1 is a front top perspective view of an adjustable tenon mount for lighting fixture.

FIG. 2 is a front bottom perspective view of the adjustable tenon mount for lighting fixture of FIG. 1.

FIG. 3 is a front elevation view of the adjustable tenon mount for lighting fixture of FIG. 1.

FIG. 4 is a rear elevation view of the adjustable tenon mount for lighting fixture of FIG. 1.

FIG. 5 is a left-side elevation view of the adjustable tenon mount for lighting fixture of FIG. 1.

FIG. 6 is a right-side elevation view of the adjustable tenon mount for lighting fixture of FIG. 1.

FIG. 7 is a top plan view of the adjustable tenon mount for lighting fixture of FIG. 1.

FIG. 8 is a bottom plan view of the adjustable tenon mount for lighting fixture of FIG. 1.

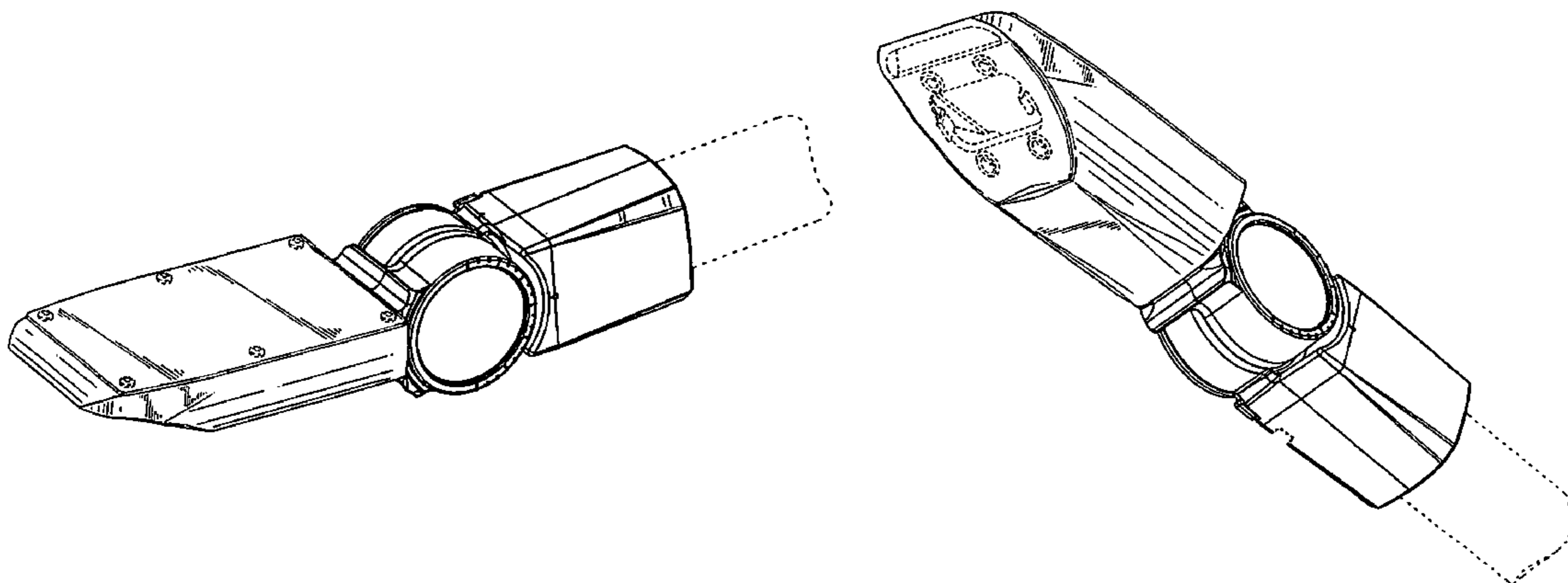
FIG. 9 is a front top perspective view of the adjustable tenon mount for lighting fixture of FIG. 1, illustrating the adjustable tenon mount with a lighting fixture mounted thereon.

FIG. 10 is a front top perspective view of the adjustable tenon mount for lighting fixture of FIG. 9, illustrating the lighting fixture directing light downward at a 90° orientation to a pole upon which the adjustable tenon mount is mounted; and,

FIG. 11 is a front top perspective view of the adjustable tenon mount for lighting fixture of FIG. 10, illustrating the lighting fixture directing light upward at a 180° orientation to its position in FIG. 10.

The broken lines are provided for illustrative purposes only and form no part of the claimed design.

**1 Claim, 5 Drawing Sheets**



# US D570,535 S

Page 2

---

## U.S. PATENT DOCUMENTS

D162,639 S *	3/1951	Fiori .....	D26/60	D397,468 S *	8/1998	Zeller .....	D26/60
D173,139 S *	10/1954	Black .....	D26/138	D449,126 S *	10/2001	Zeller .....	D26/60
3,489,384 A *	1/1970	Perbal .....	248/280.11	D488,248 S *	4/2004	Toyoaki et al. ....	D26/65
D234,712 S *	4/1975	Kennedy et al. ....	D26/63	6,814,473 B2 *	11/2004	Chen .....	362/402
4,543,007 A *	9/1985	Quiogue .....	403/97				

\* cited by examiner

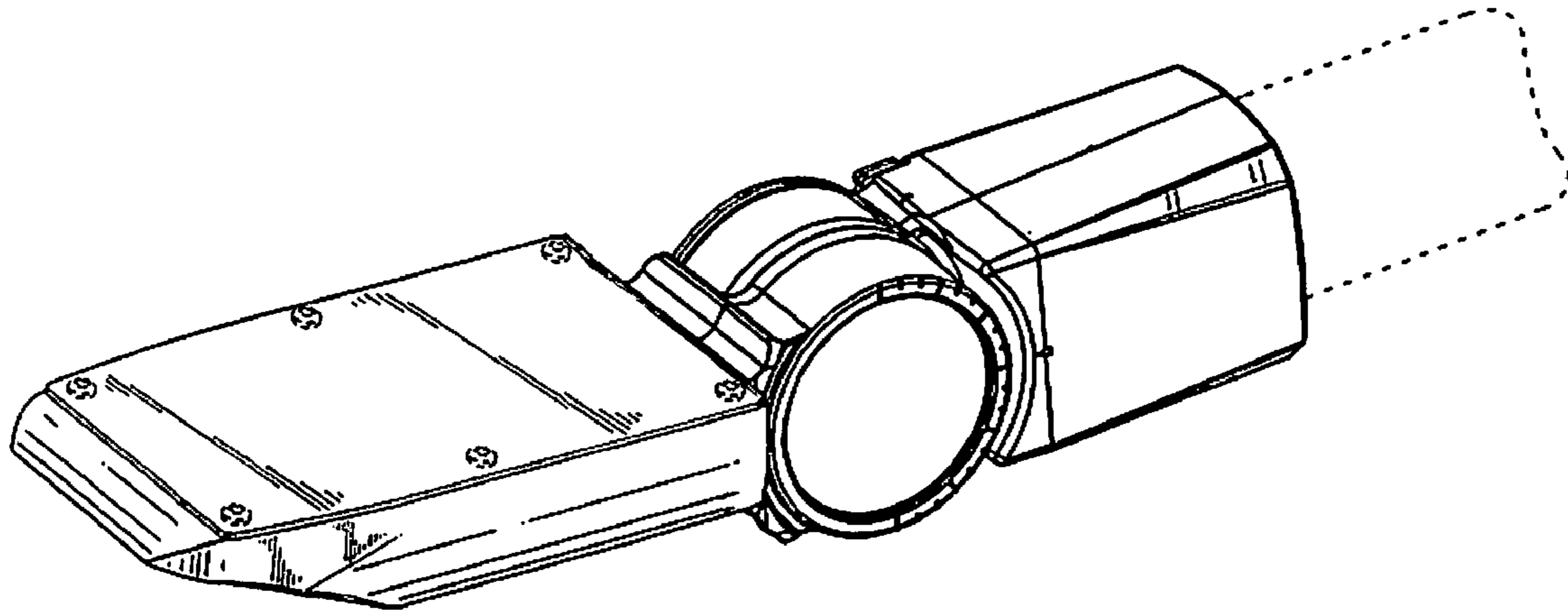


FIG. 1

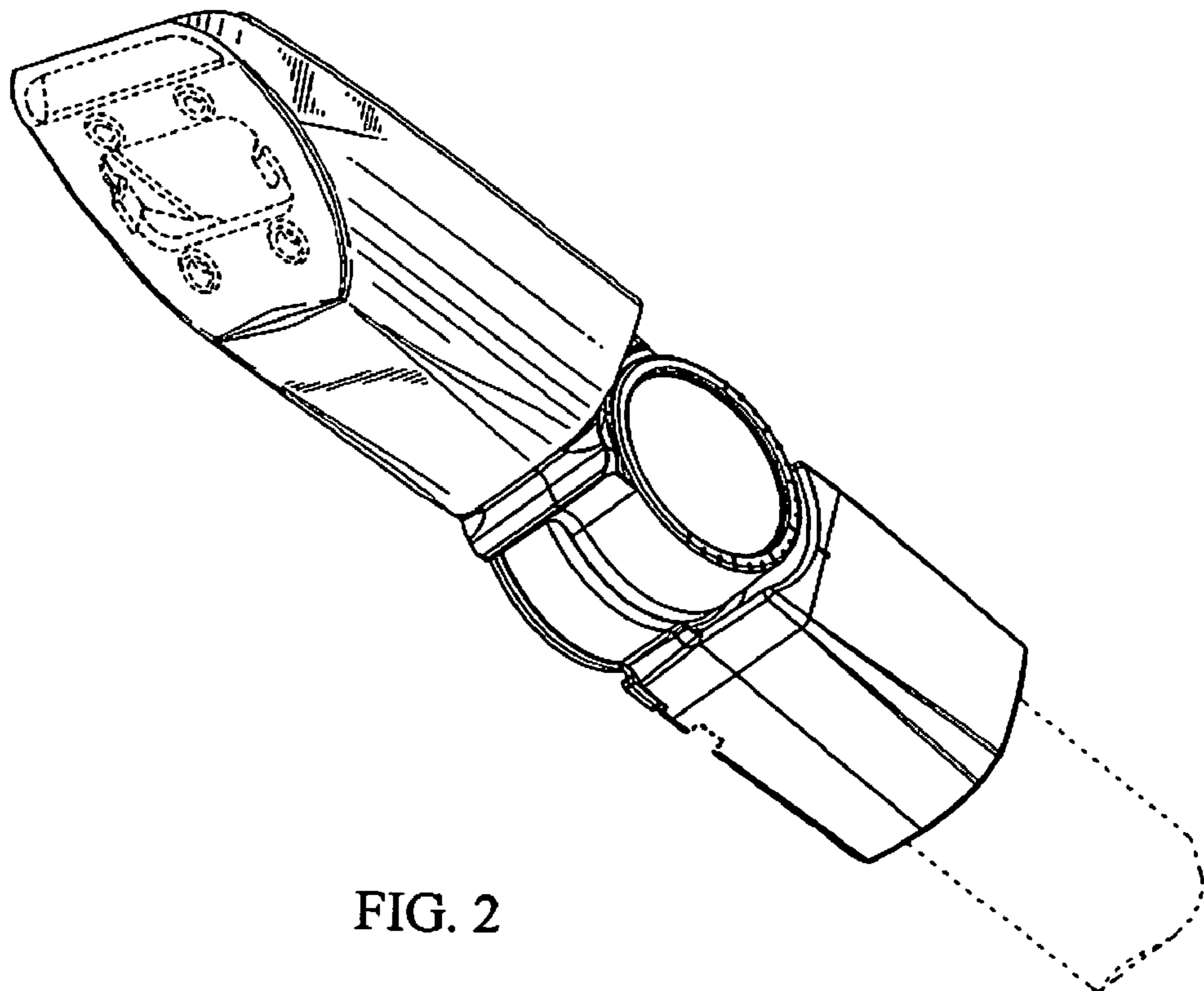


FIG. 2

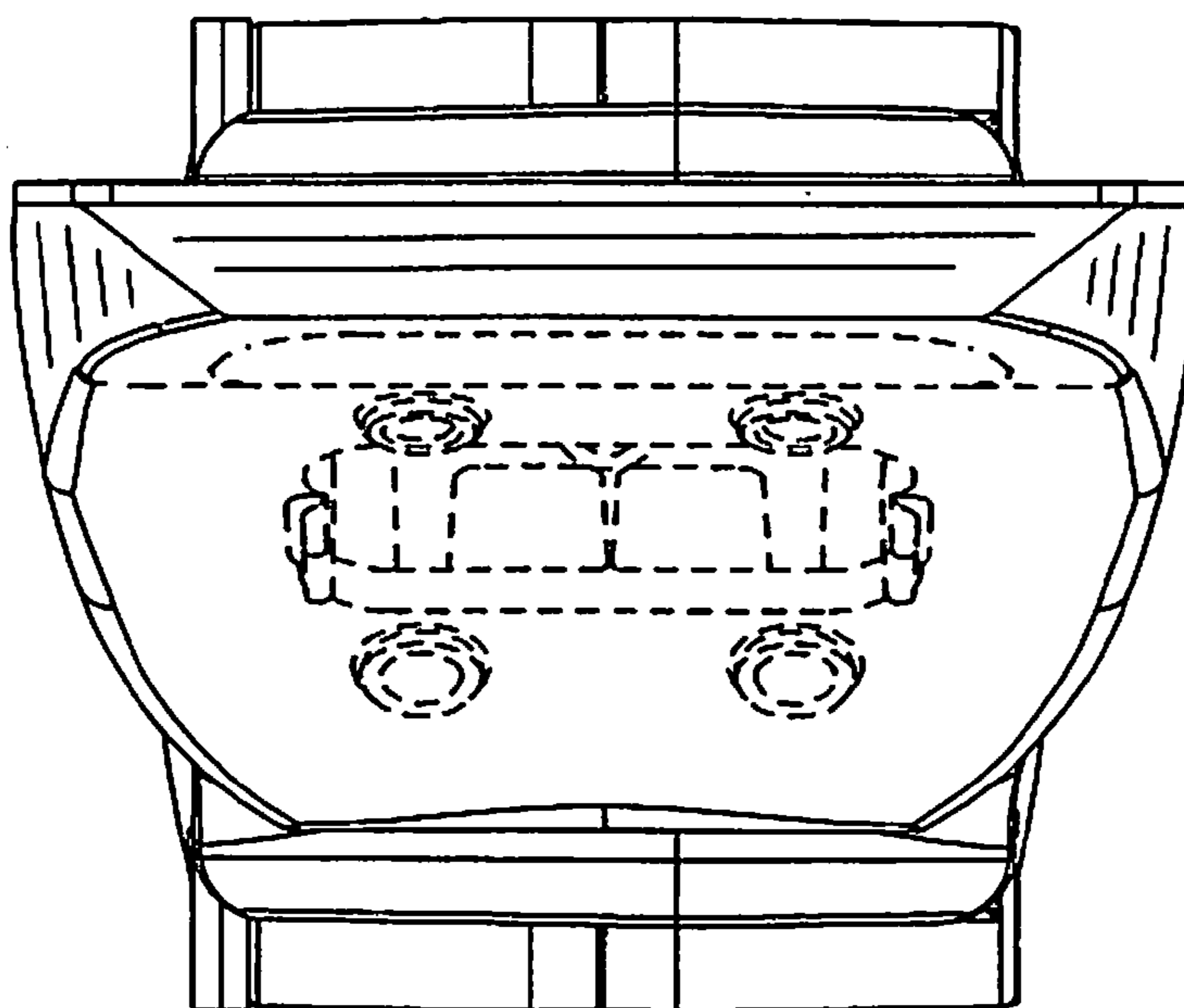


FIG. 3

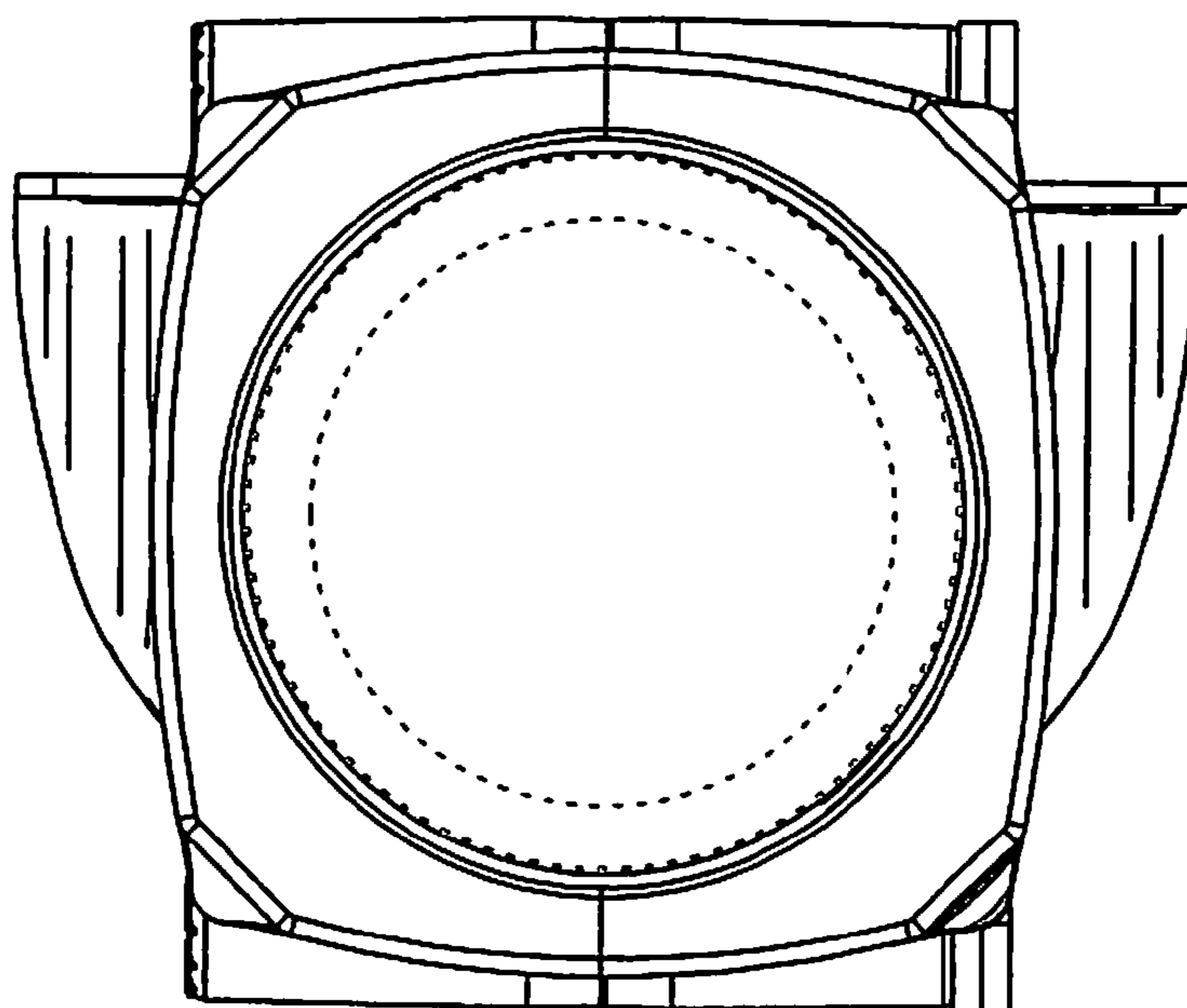


FIG. 4

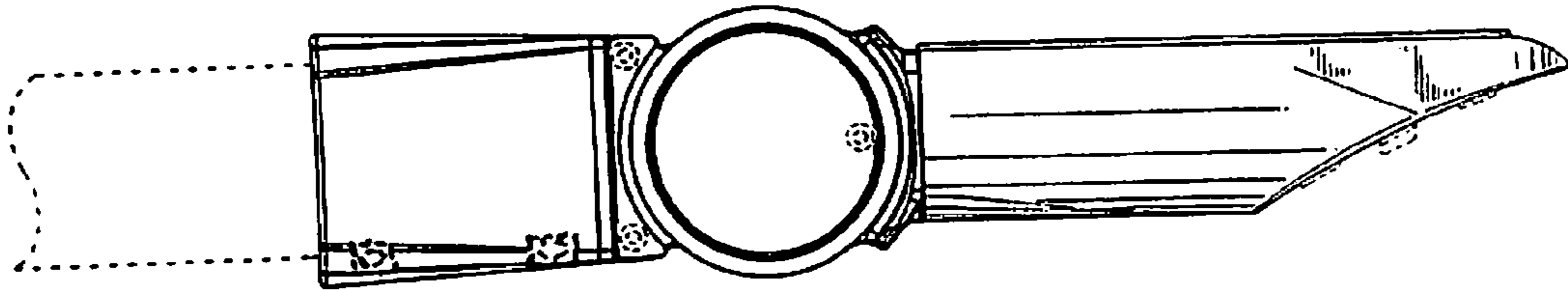


FIG. 5

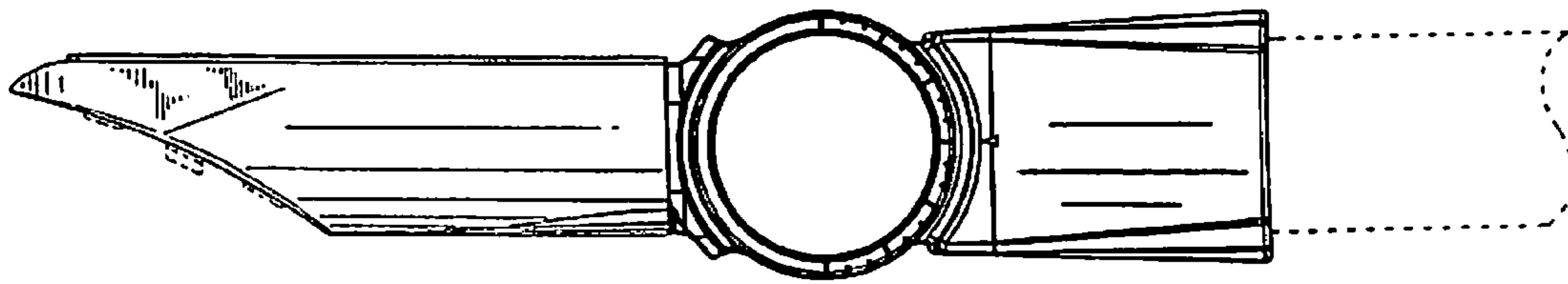


FIG. 6



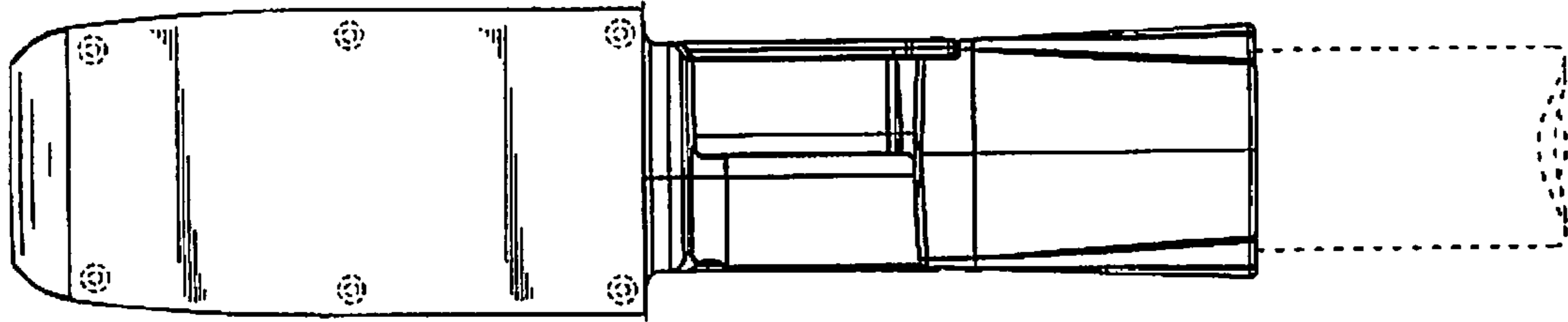


FIG. 7

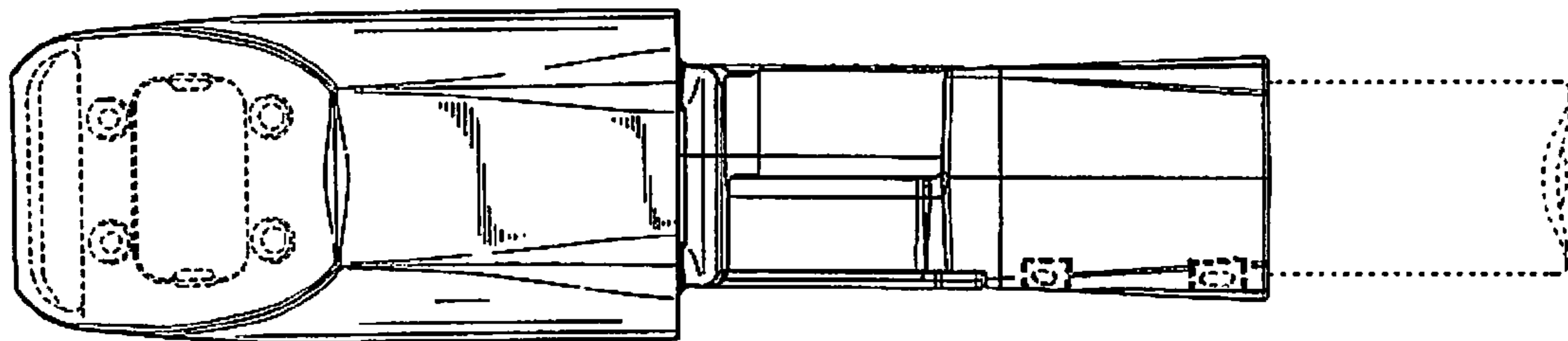


FIG. 8

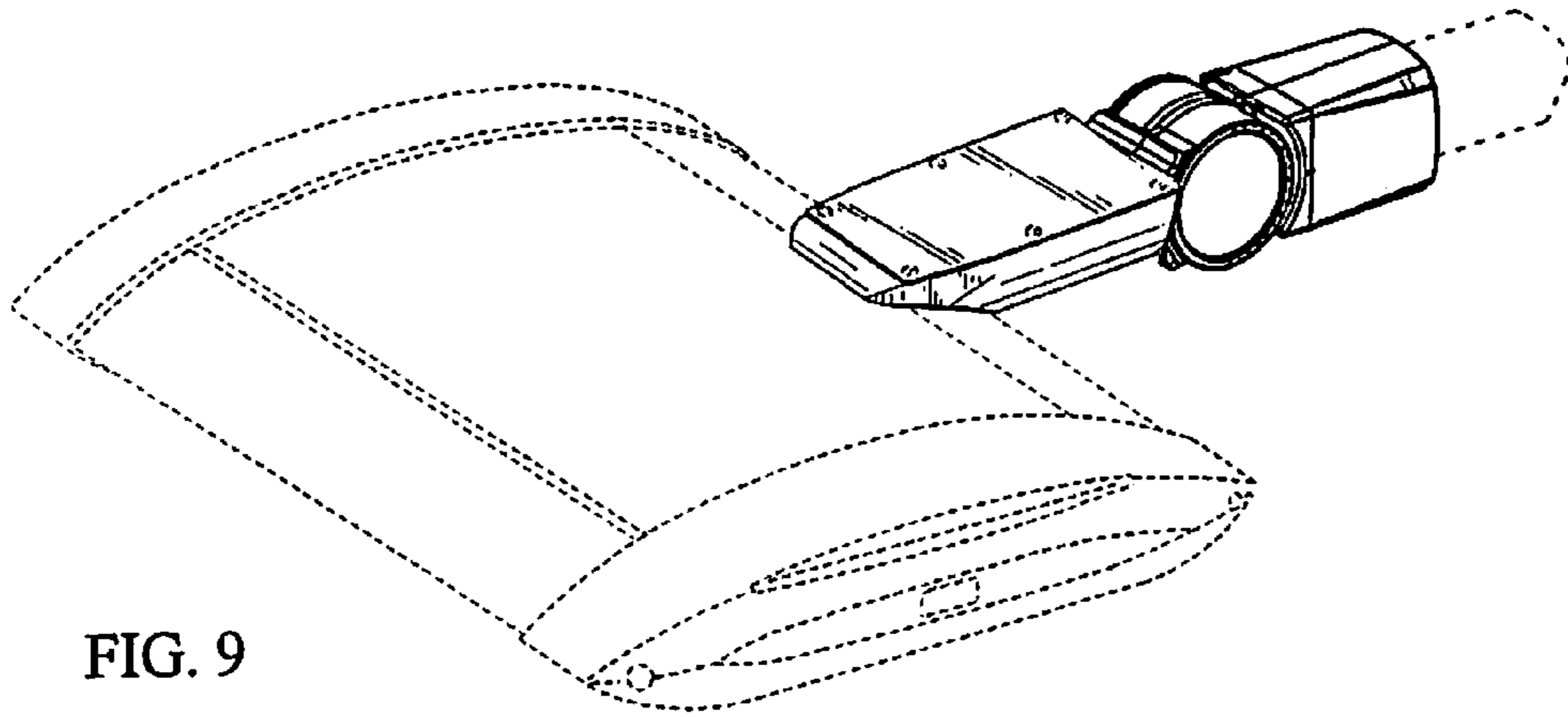


FIG. 9

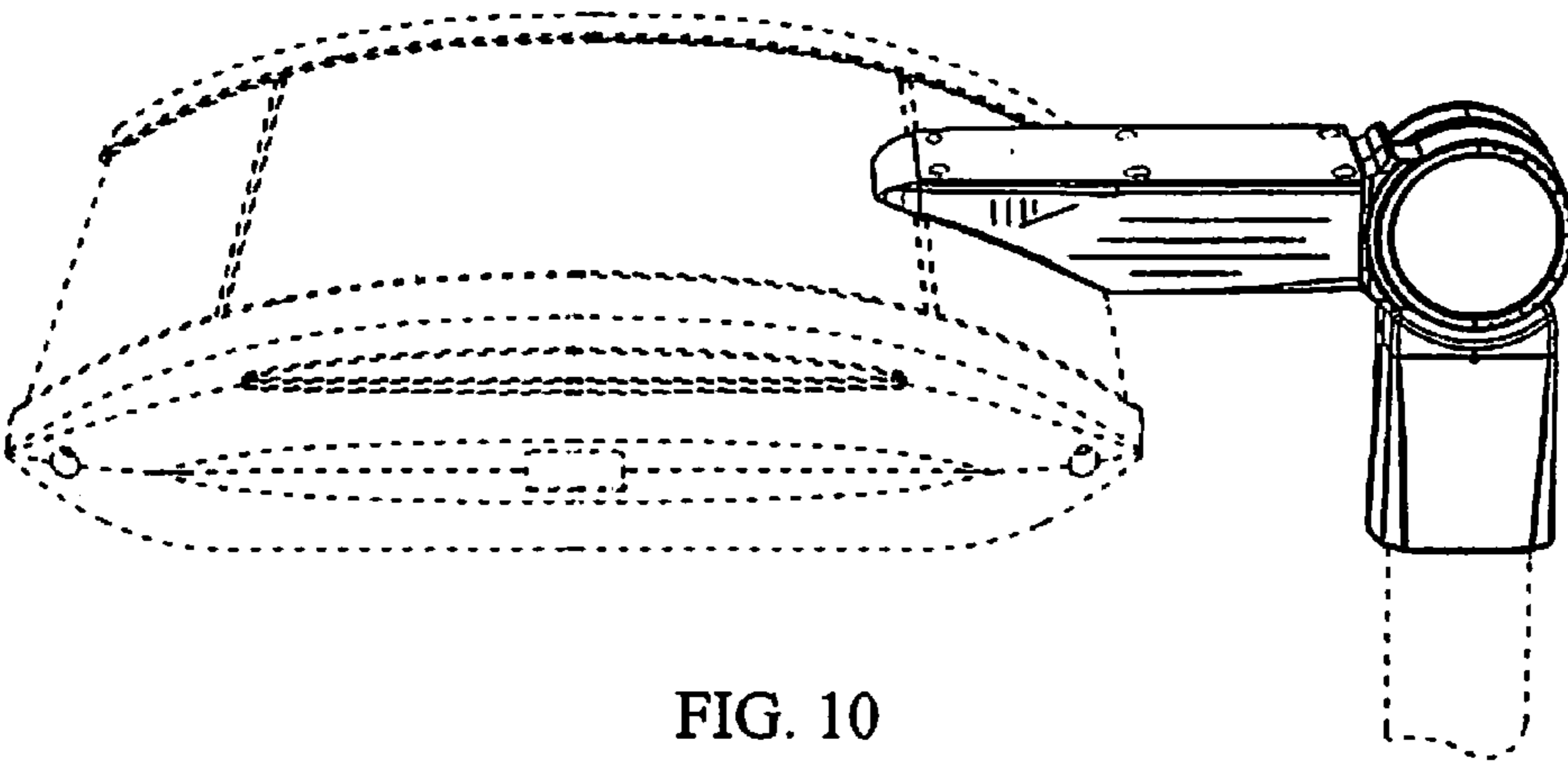


FIG. 10

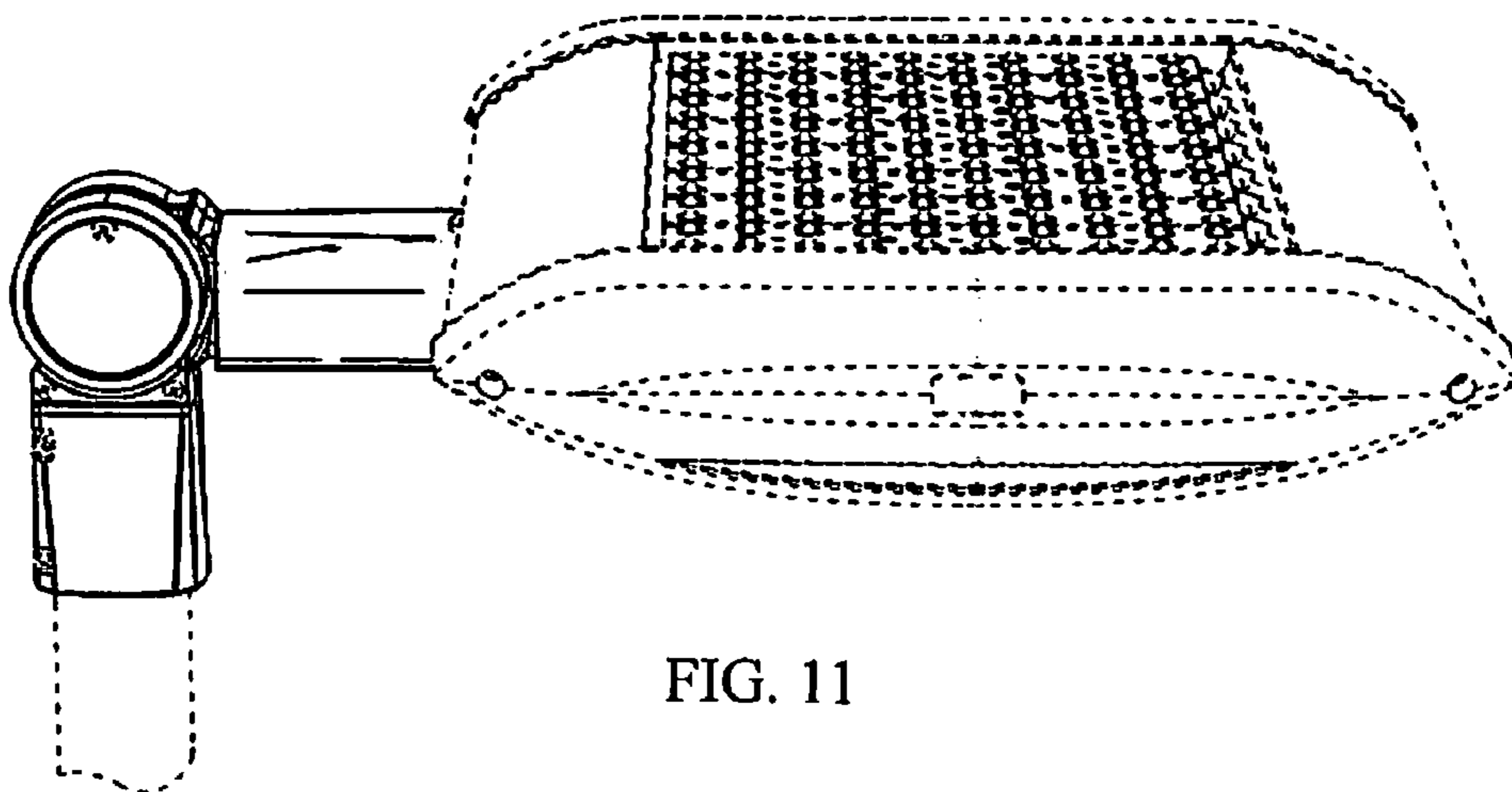


FIG. 11