



US00D570534S

(12) **United States Design Patent**
Wilcox et al.

(10) **Patent No.:** **US D570,534 S**
(45) **Date of Patent:** **** Jun. 3, 2008**

(54) **LIGHTING FIXTURE MOUNTING ARM**

(75) Inventors: **Kurt S. Wilcox**, Libertyville, IL (US);
Brian L. Kinnune, Racine, WI (US);
Russell S. Schultz, Racine, WI (US)

(73) Assignee: **Ruud Lighting, Inc.**, Racine, WI (US)

(**) Term: **14 Years**

(21) Appl. No.: **29/272,923**

(22) Filed: **Feb. 21, 2007**

(51) **LOC (8) Cl.** **26-99**

(52) **U.S. Cl.** **D26/142**

(58) **Field of Classification Search** D26/155,
D26/145, 71, 60, 68, 113, 118, 24, 61, 62,
D26/63, 64, 67, 72, 93, 138, 140, 141, 142,
D26/150, 151, 152, 153, 154; 362/147, 151,
362/153, 224, 257, 277, 280, 285, 287, 368,
362/370, 441, 432; 248/205.1; D6/332,
D6/350, 399, 459; D25/63

See application file for complete search history.

(56) **References Cited**

U.S. PATENT DOCUMENTS

2,254,790	A *	9/1941	Benton	362/523
2,895,137	A *	7/1959	Boyer et al.	2/422
2,974,920	A *	3/1961	Spaulding	248/292.14
D200,593	S *	3/1965	Pettengill	D26/145
D203,294	S *	12/1965	Cianca	D26/71
D219,546	S *	12/1970	Kaiser et al.	D26/68
D397,468	S *	8/1998	Zeller	D26/60
6,467,928	B2 *	10/2002	Crelin	362/147
D479,624	S *	9/2003	Svendsen et al.	D26/155
D500,885	S *	1/2005	Haugaard et al.	D26/155
D501,057	S *	1/2005	Haugaard et al.	D26/71
D531,342	S *	10/2006	Kauffman et al.	D26/68
D537,196	S *	2/2007	Summerford et al.	D26/155

* cited by examiner

Primary Examiner—Freda S. Nunn

Assistant Examiner—Kevin K Rudzinski

(74) *Attorney, Agent, or Firm*—Jansson Shupe & Munger Ltd.

(57) **CLAIM**

The ornamental design for a lighting fixture mounting arm, as shown and described.

DESCRIPTION

FIG. 1 is a front top perspective view of a lighting fixture mounting arm.

FIG. 2 is a front bottom perspective view of the lighting fixture mounting arm of FIG. 1.

FIG. 3 is a front elevation view of the lighting fixture mounting arm of FIG. 1.

FIG. 4 is a back elevation view of the lighting fixture mounting arm of FIG. 1.

FIG. 5 is a left side elevation view of the lighting fixture mounting arm of FIG. 1.

FIG. 6 is a right side elevation view of the lighting fixture mounting arm of FIG. 1.

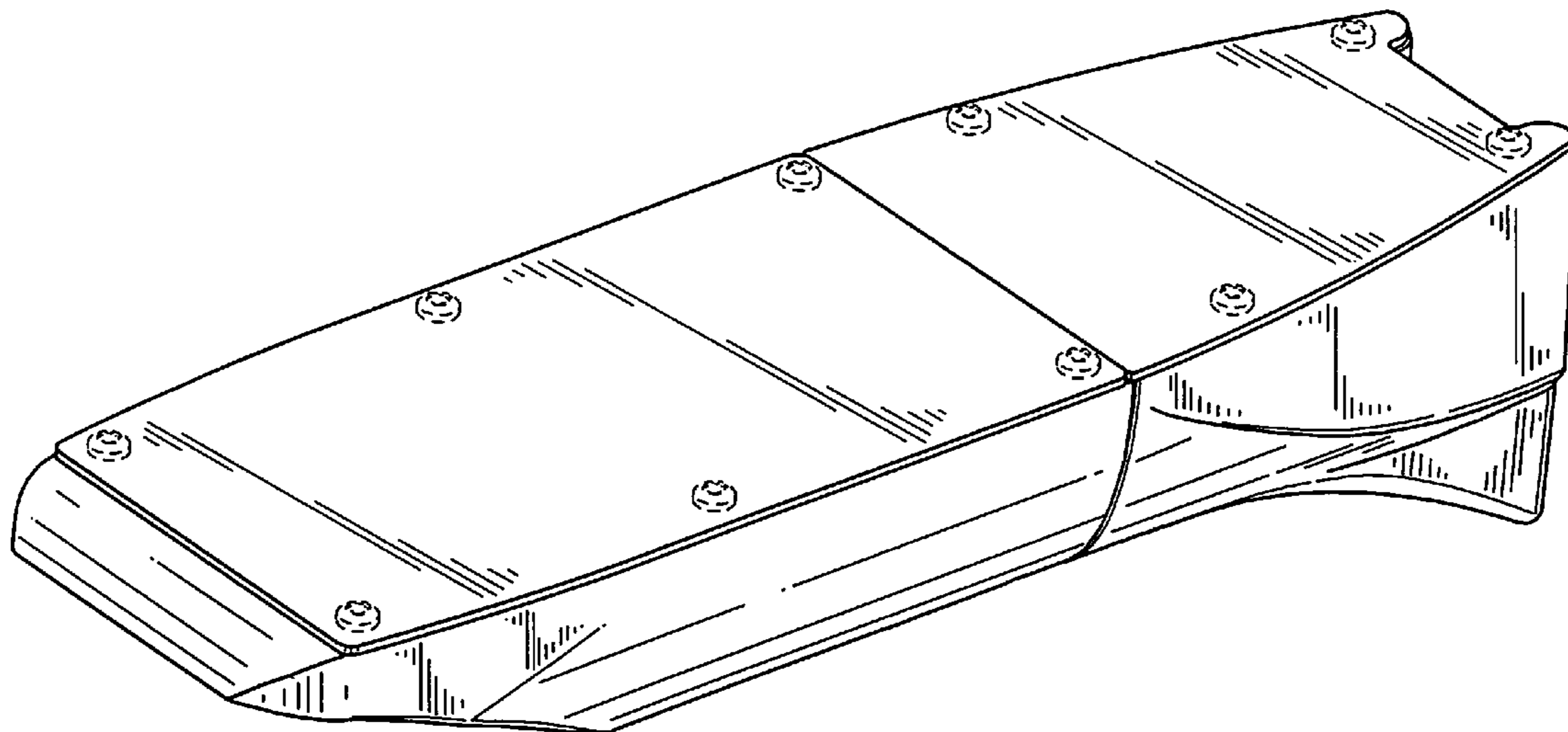
FIG. 7 is a top plan view of the lighting fixture mounting arm of FIG. 1.

FIG. 8 is a bottom plan view of the lighting fixture mounting arm of FIG. 1; and,

FIG. 9 is a front top perspective view of the lighting fixture mounting arm of FIG. 1 shown with an intended fixture mounted thereon.

The broken lines are provided for illustrative purposes only and form no part of the claimed design.

1 Claim, 7 Drawing Sheets



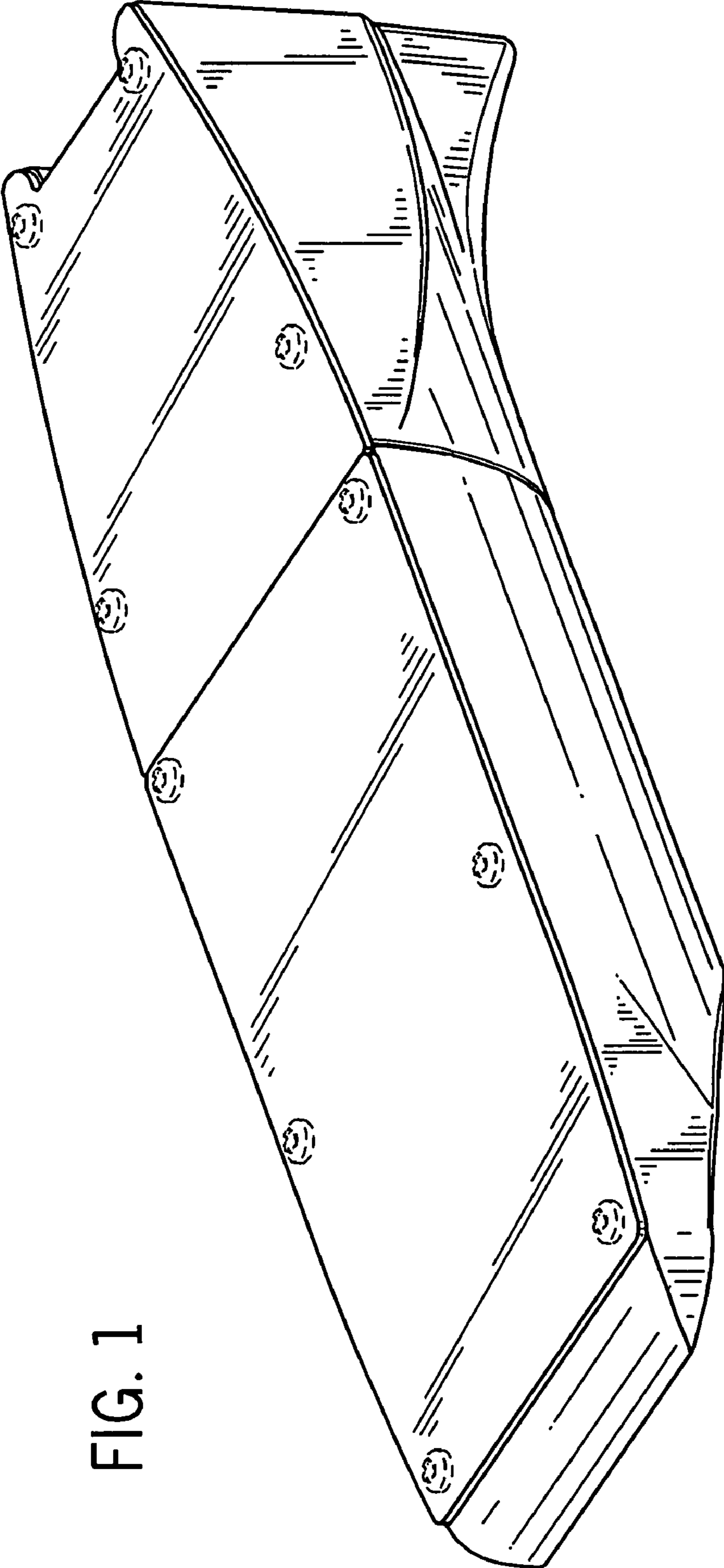


FIG. 1

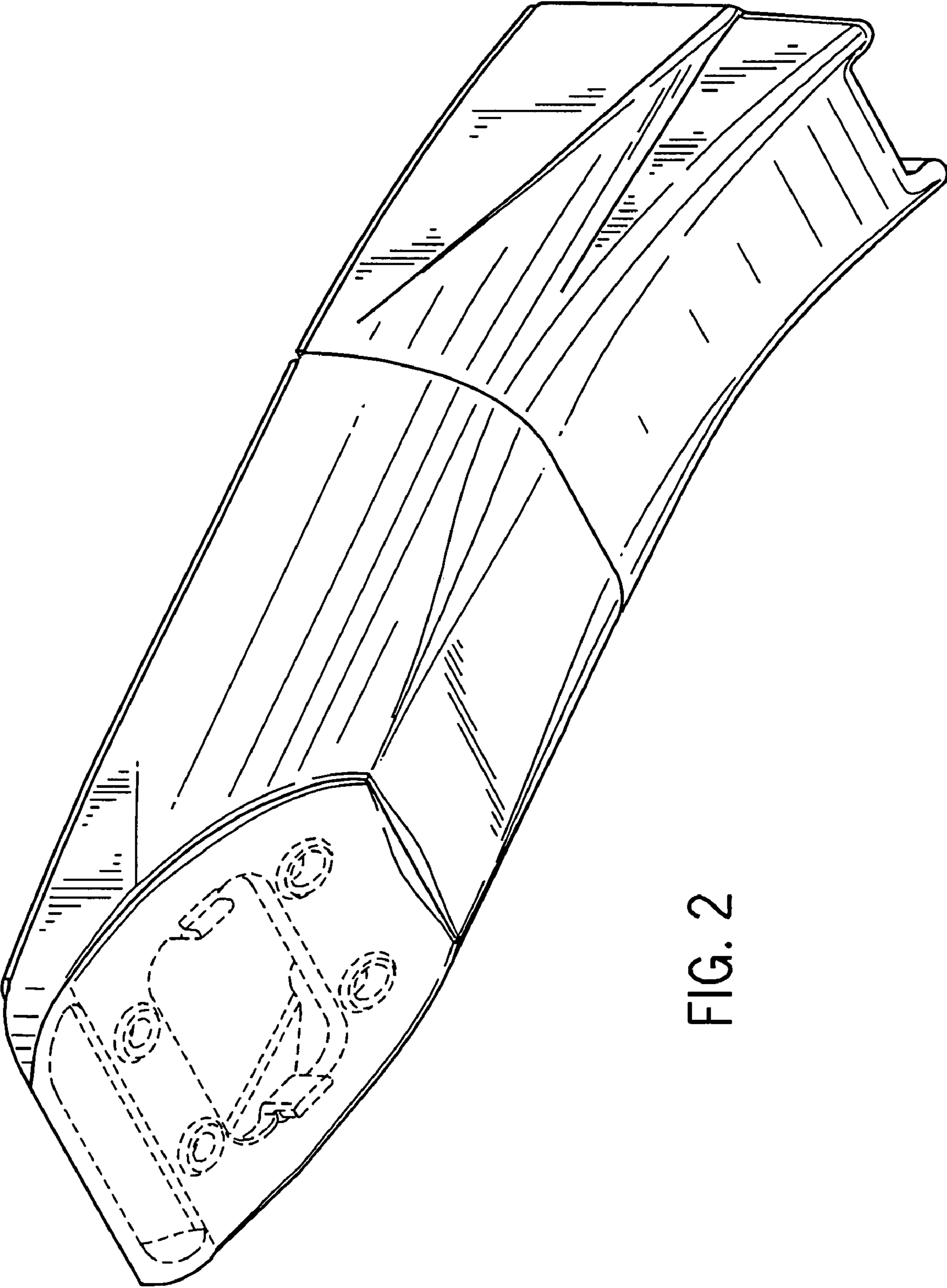


FIG. 2

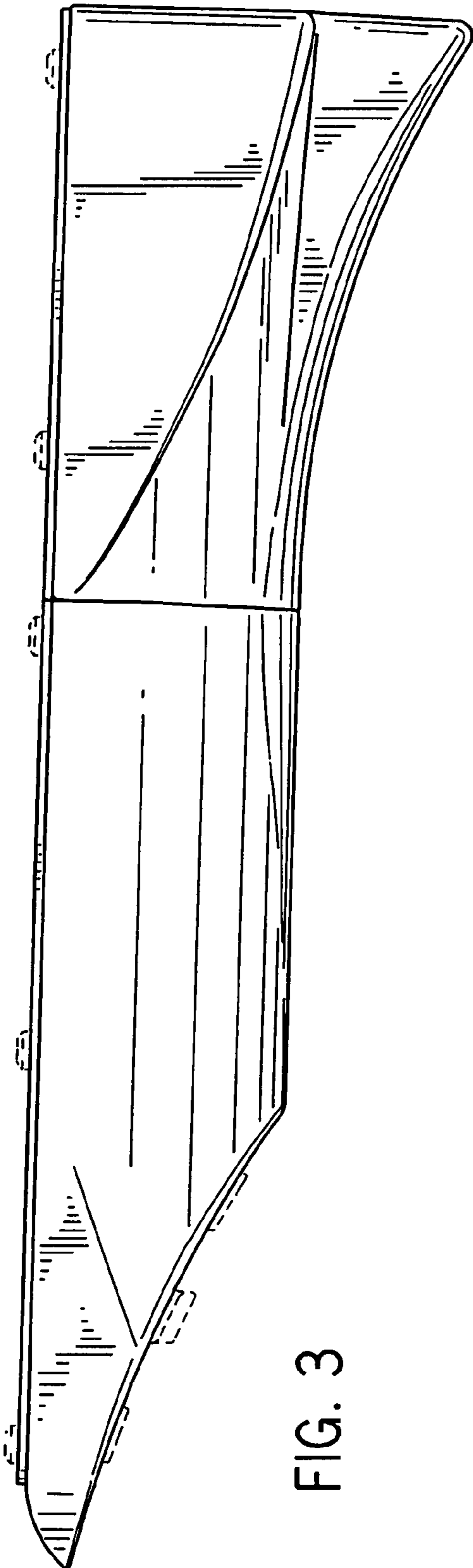


FIG. 3

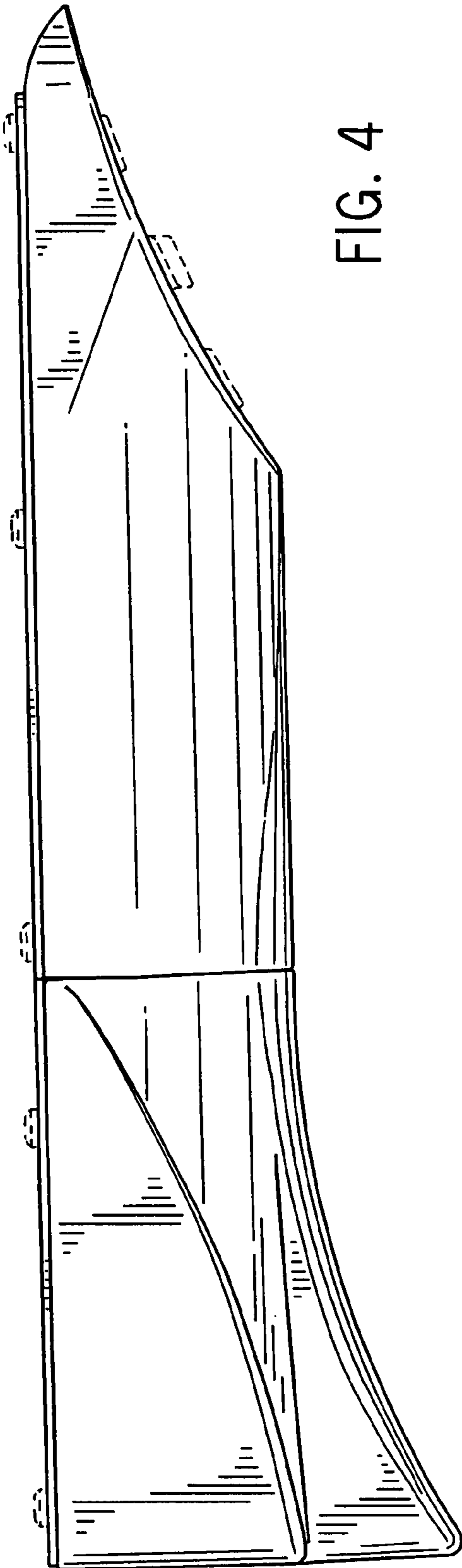


FIG. 4

FIG. 5

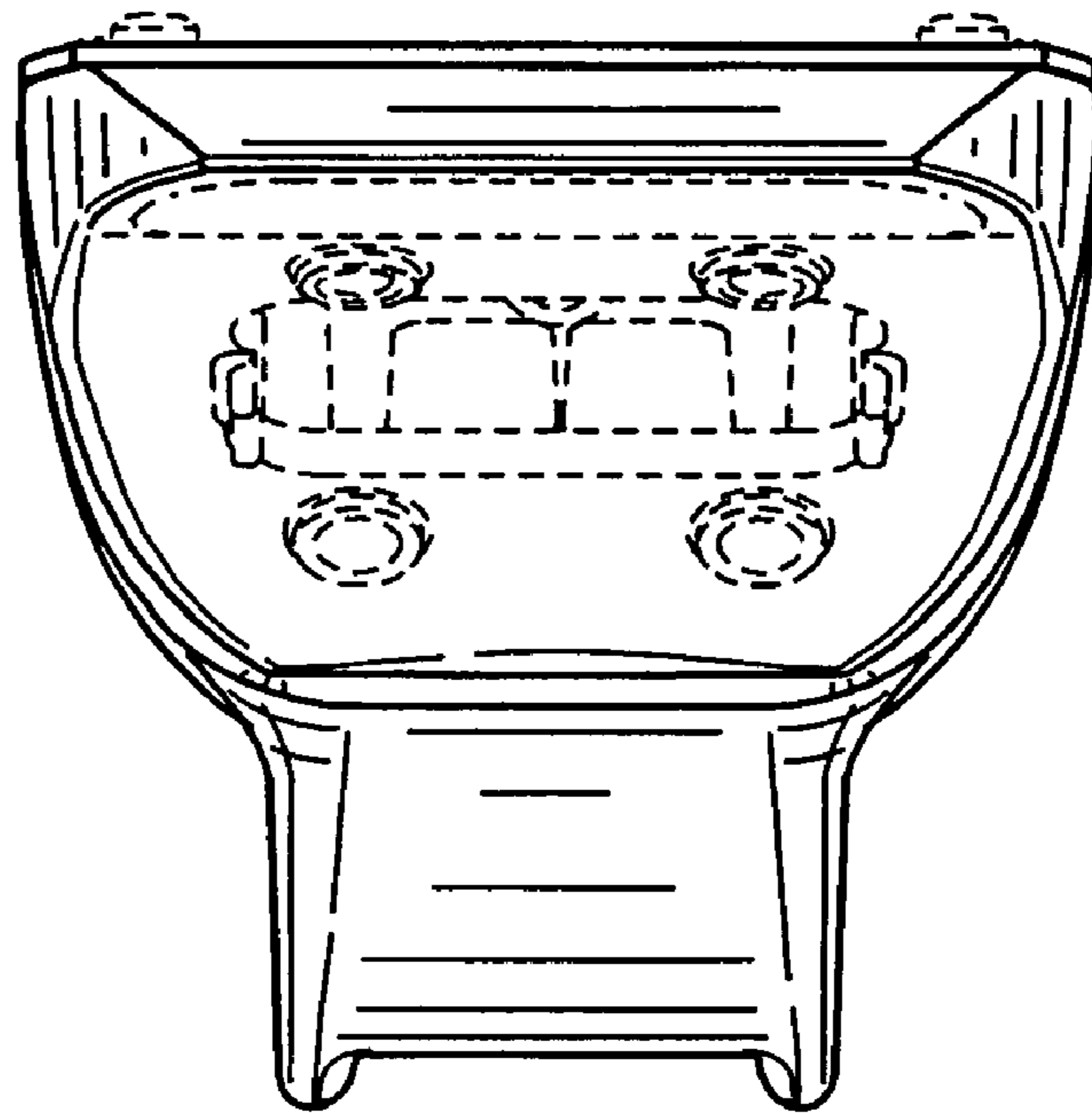
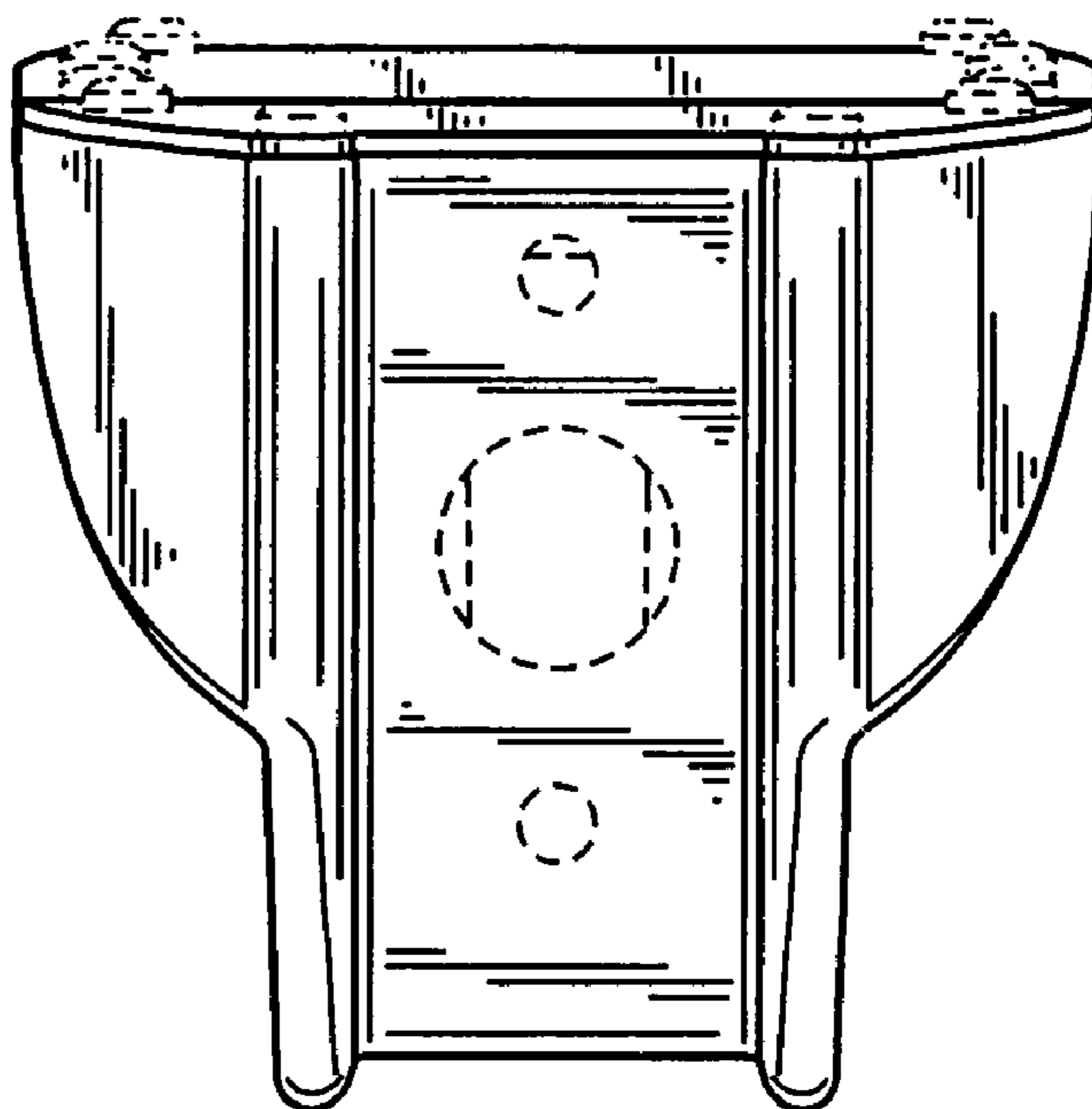


FIG. 6



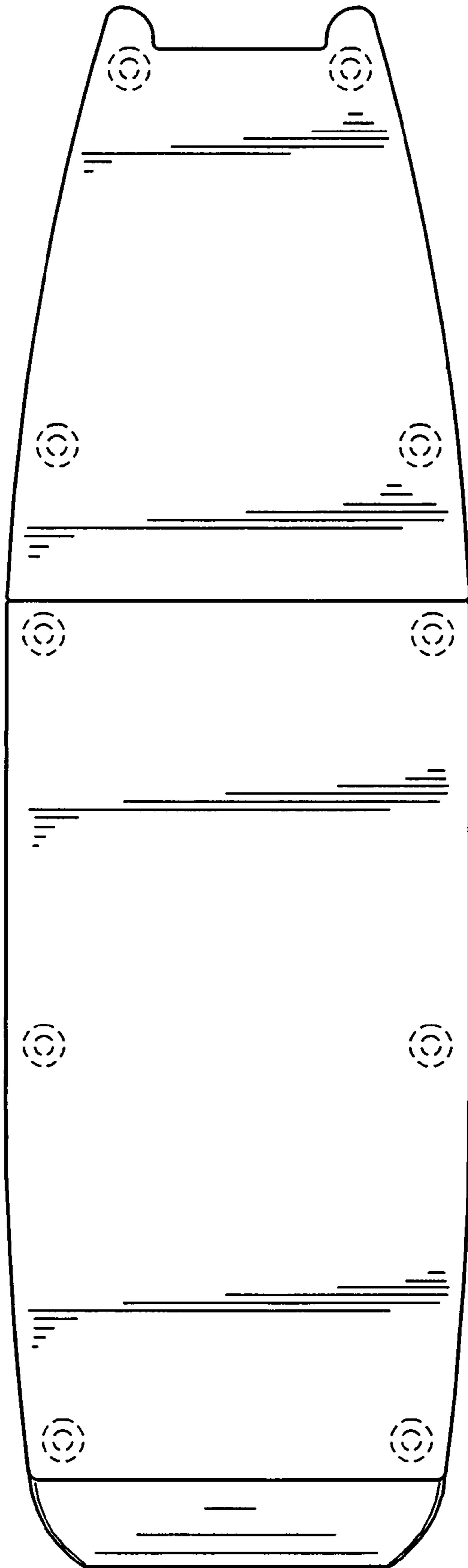


FIG. 7

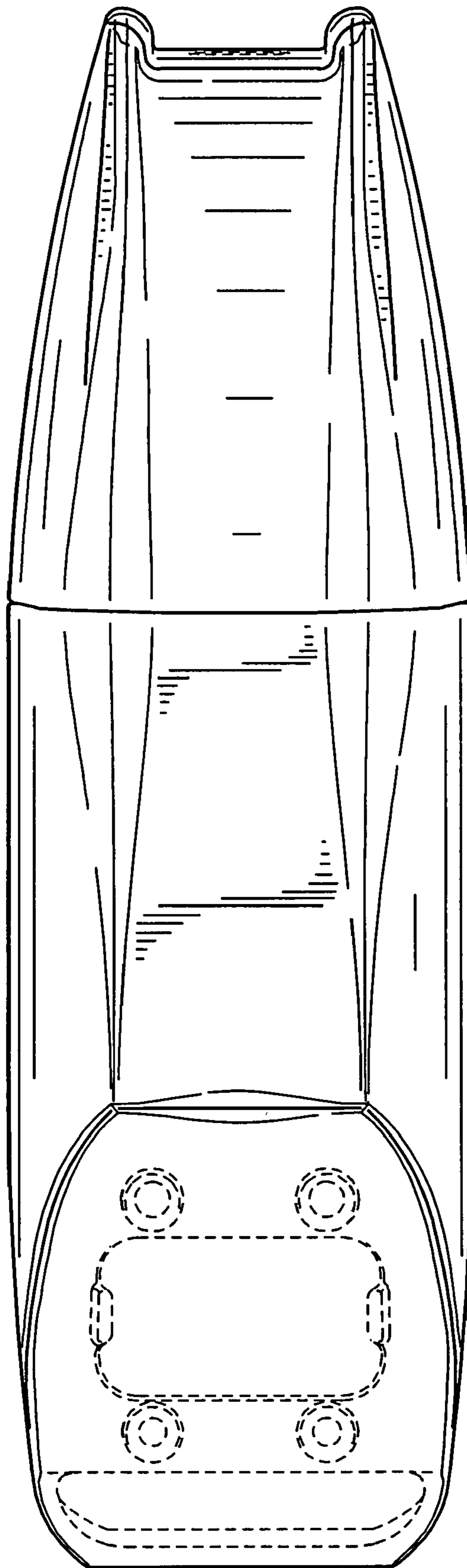


FIG. 8

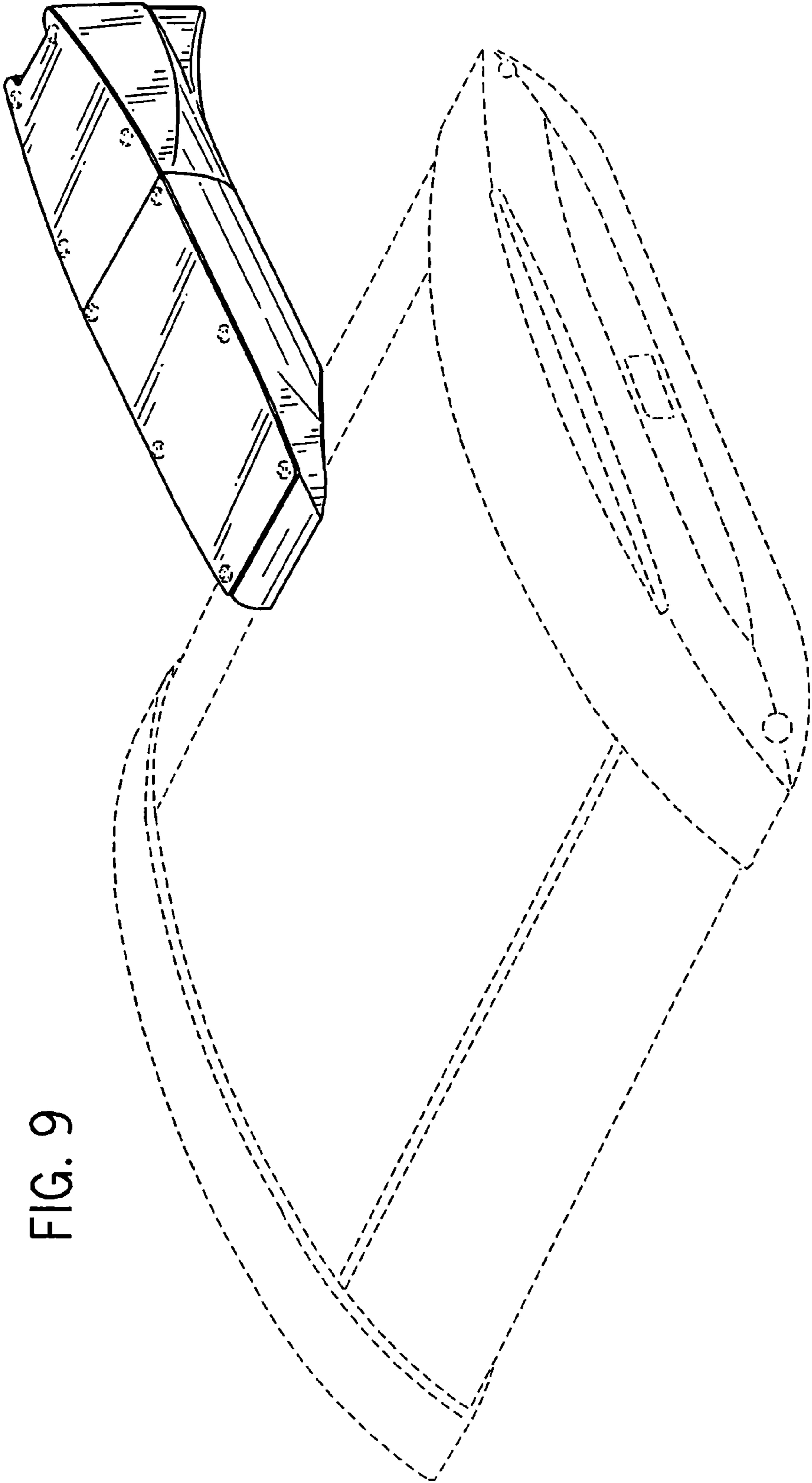


FIG. 9