

US00D570532S

(12) **United States Design Patent**
Camarota

(10) **Patent No.:** **US D570,532 S**

(45) **Date of Patent:** **** Jun. 3, 2008**

(54) **LIGHT FIXTURE LENS AND BEZEL**

(75) **Inventor:** **Richard J. Camarota**, Holland, MI
(US)

(73) **Assignee:** **ITC, Incorporated**

(**) **Term:** **14 Years**

(21) **Appl. No.:** **29/268,193**

(22) **Filed:** **Oct. 31, 2006**

(51) **LOC (8) Cl.** **26-99**

(52) **U.S. Cl.** **D26/120**

(58) **Field of Classification Search** D26/123,
D26/128, 142, 118, 65, 125, 147, 74, 138,
D26/113, 24, 61, 63, 133, 120, 67, 85, 32,
D26/60, 73, 93, 94, 98, 103, 122, 124, 129,
D26/137, 151, 152, 153, 156; D21/484,
D21/490; D13/110; 206/223; 362/351,
362/330, 363

See application file for complete search history.

(56) **References Cited**

U.S. PATENT DOCUMENTS

D59,809 S *	11/1921	Benham	D10/109
2,255,431 A *	9/1941	Marden et al.	313/485
2,726,836 A *	12/1955	Dickson	362/549
2,978,574 A *	4/1961	Baker	362/451
D268,195 S *	3/1983	Kalish	D21/771
D306,767 S *	3/1990	Ziaylek, Jr.	D26/36
D341,442 S *	11/1993	Shapiro	D26/118
5,432,688 A *	7/1995	Tobias et al.	362/101
D371,857 S *	7/1996	Gismondi	D26/85
D392,407 S *	3/1998	Johnson et al.	D26/67
D395,715 S *	6/1998	Queen	D26/24
5,842,771 A *	12/1998	Thrasher et al.	362/101

D421,316 S *	2/2000	Fiorato	D26/74
D428,660 S *	7/2000	Yuen	D26/26
D437,654 S *	2/2001	Chen	D26/74
D443,713 S *	6/2001	Benensohn	D26/72
D457,677 S *	5/2002	Landefeld et al.	D26/67
D459,504 S *	6/2002	Chen	D26/26
D482,484 S *	11/2003	Benghozi	D26/85
D482,486 S *	11/2003	Demers	D26/85
D506,280 S *	6/2005	Chen	D26/67
D514,465 S *	2/2006	Chang	D10/113

* cited by examiner

Primary Examiner—Freda S. Nunn

Assistant Examiner—Kevin K Rudzinski

(74) *Attorney, Agent, or Firm*—Miller Canfield, PLC; Kelly
T. Murphy; Jonathan P. O'Brien

(57) **CLAIM**

The ornamental design for a light fixture lens and bezel, as shown and described.

DESCRIPTION

FIG. 1 is a perspective view of a light fixture lens and bezel embodying my design;

FIG. 2 is a top view thereof;

FIG. 3 is a bottom view thereof;

FIG. 4 is a front view thereof;

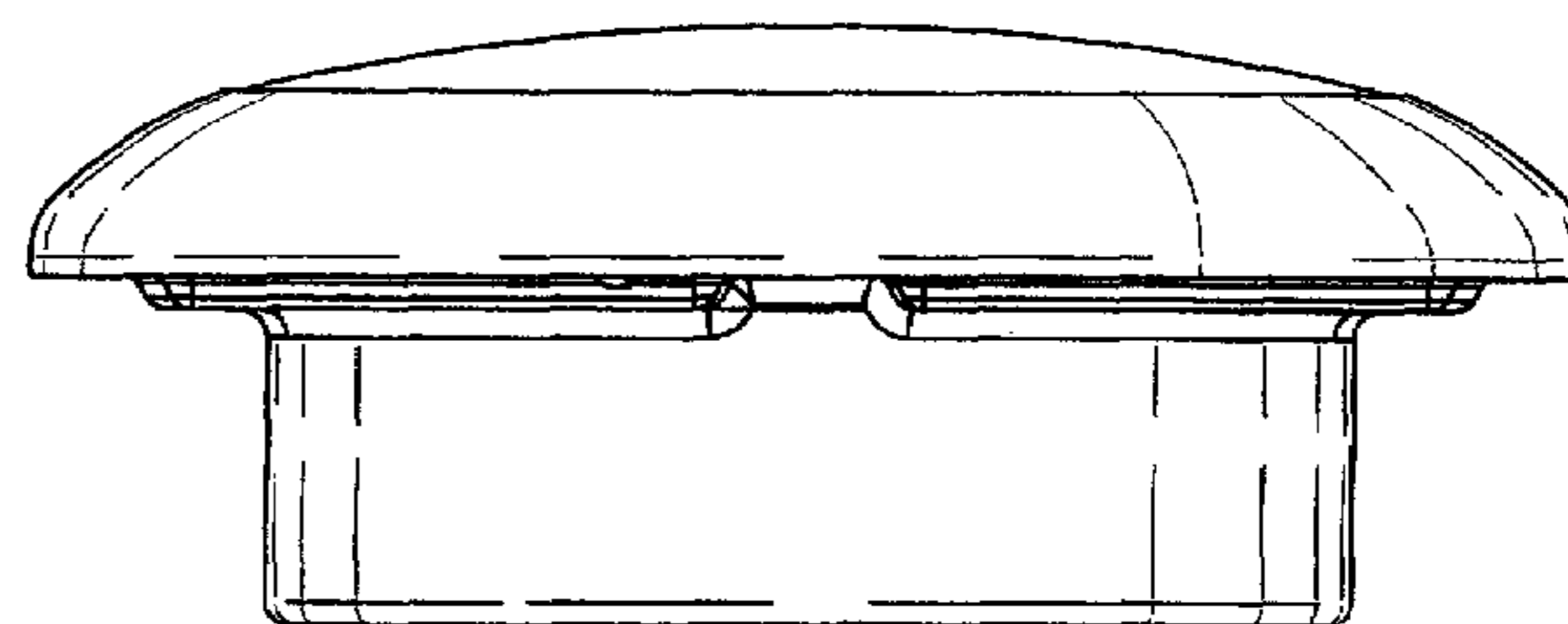
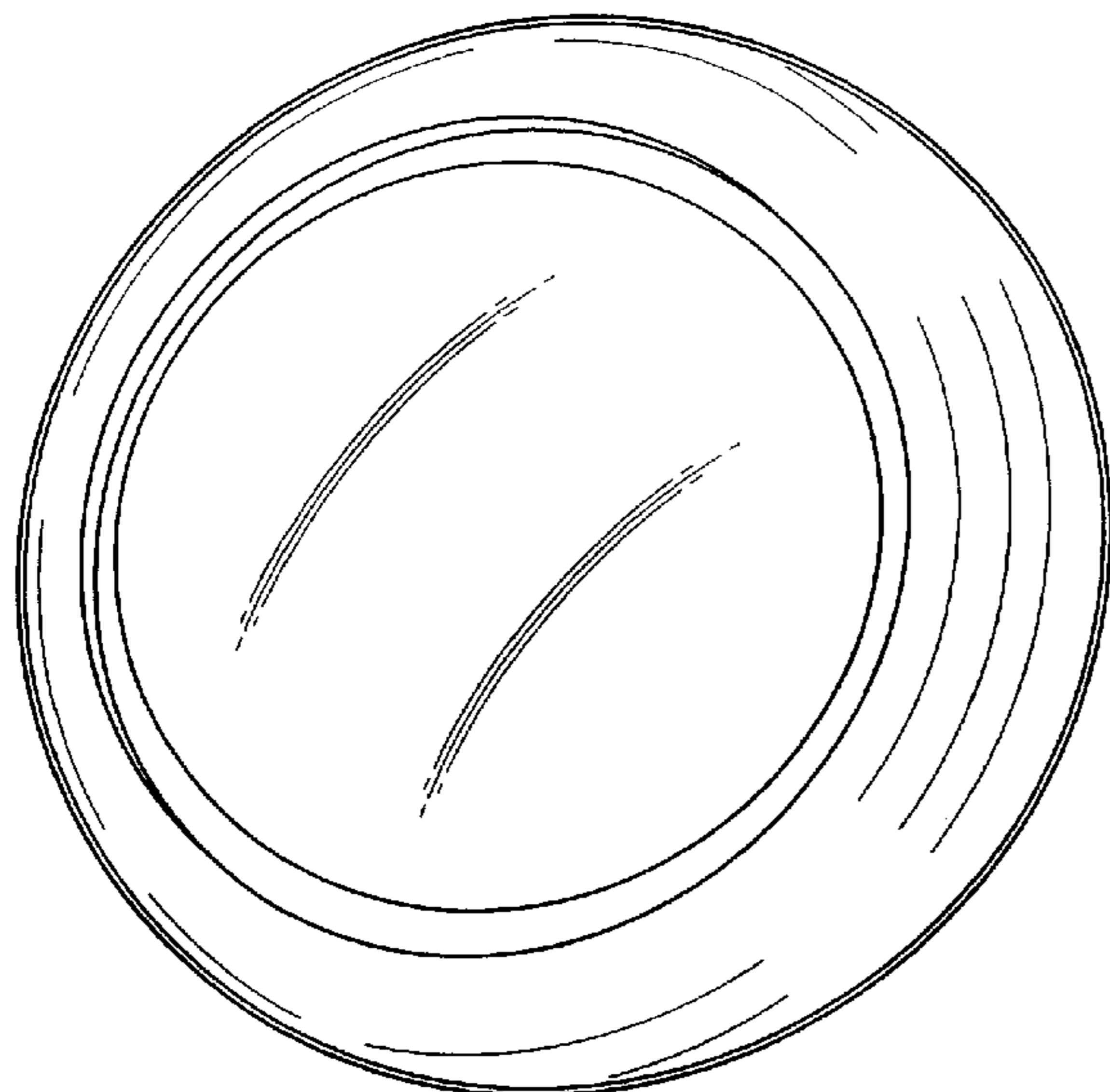
FIG. 5 is a back view thereof;

FIG. 6 is a left side view thereof; and,

FIG. 7 is a right side view thereof.

The broken line showing is included for the purpose of illustration only and forms no part of the claimed design.

1 Claim, 5 Drawing Sheets



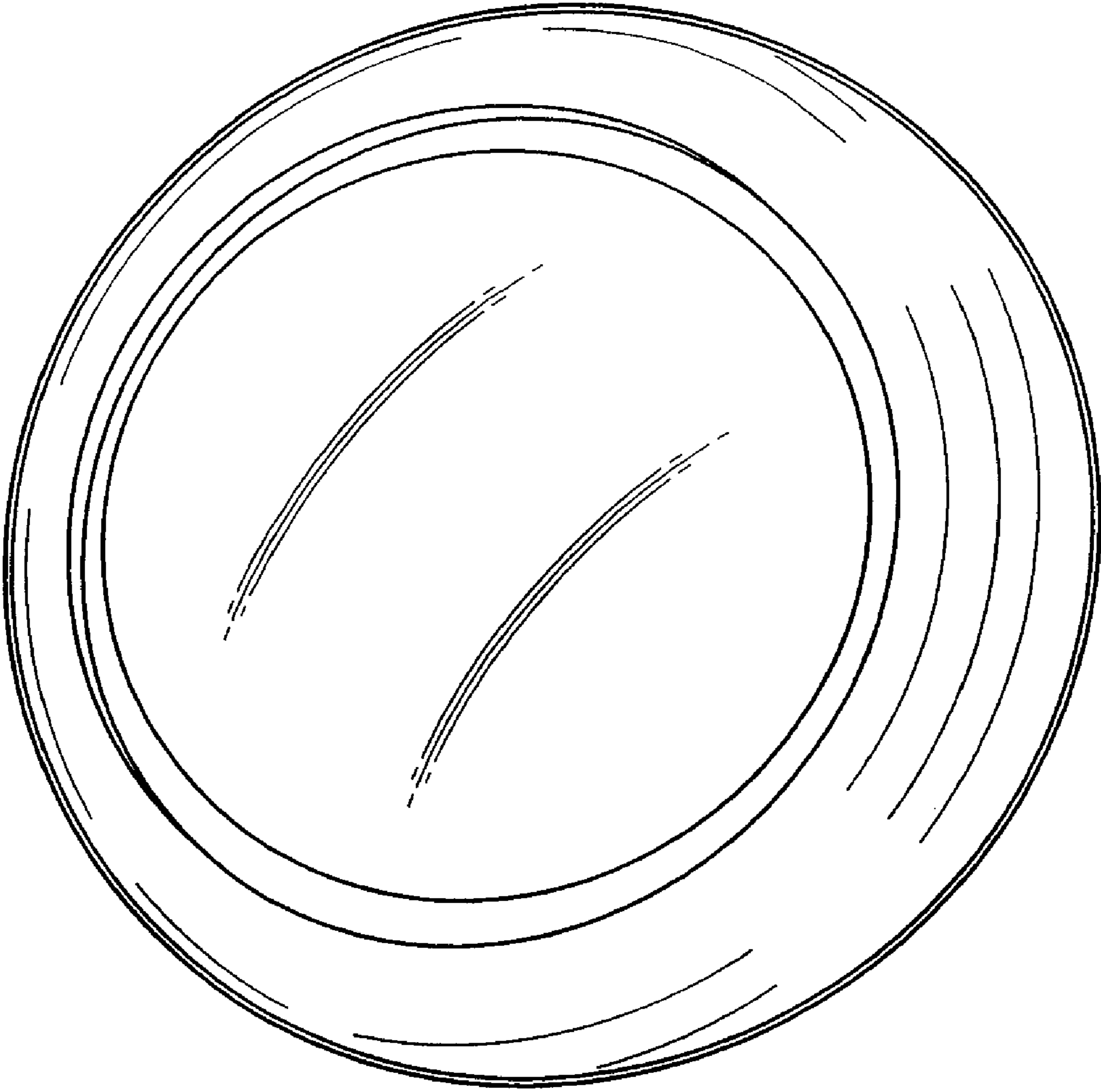


FIG. 1

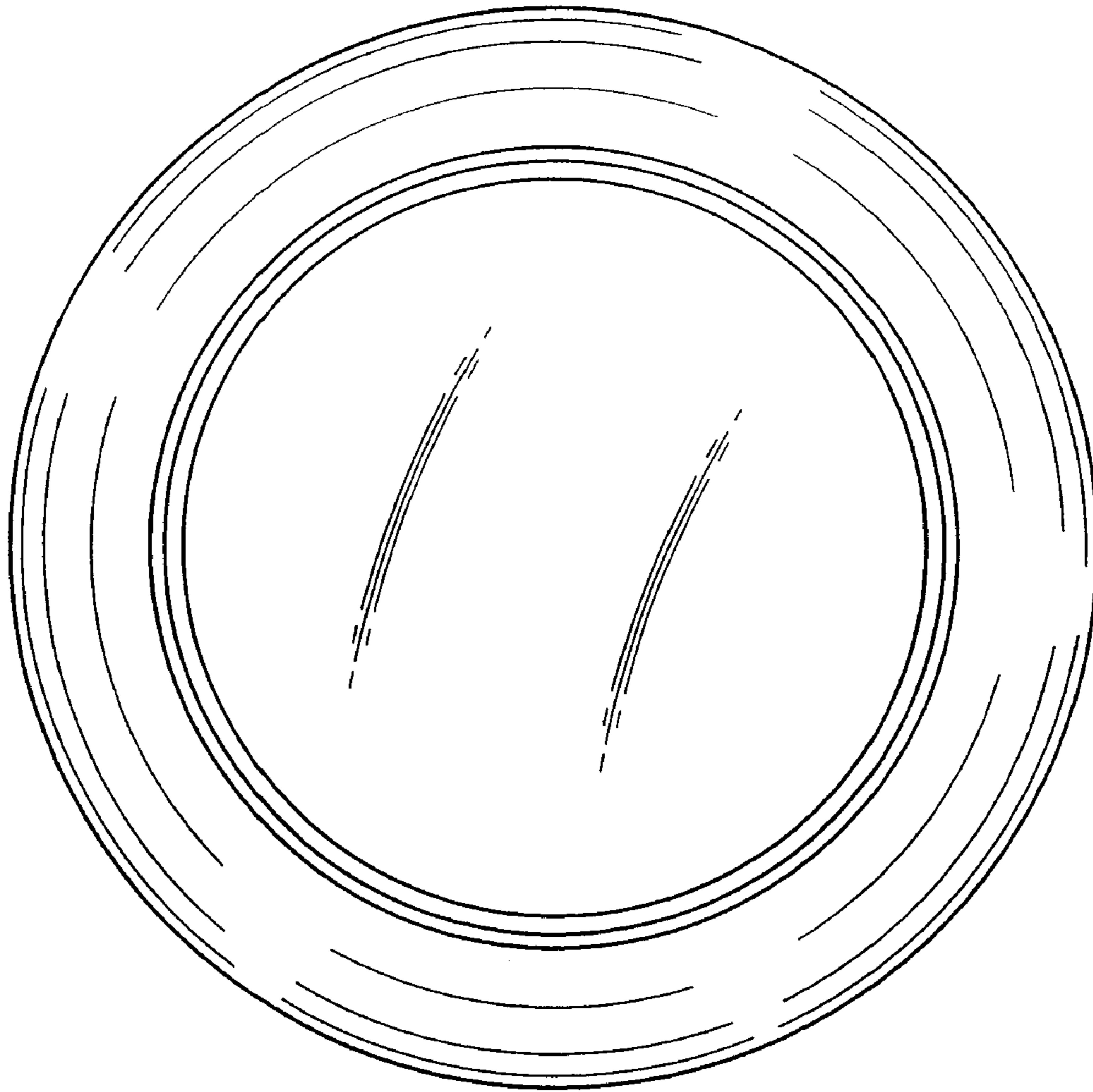


FIG. 2

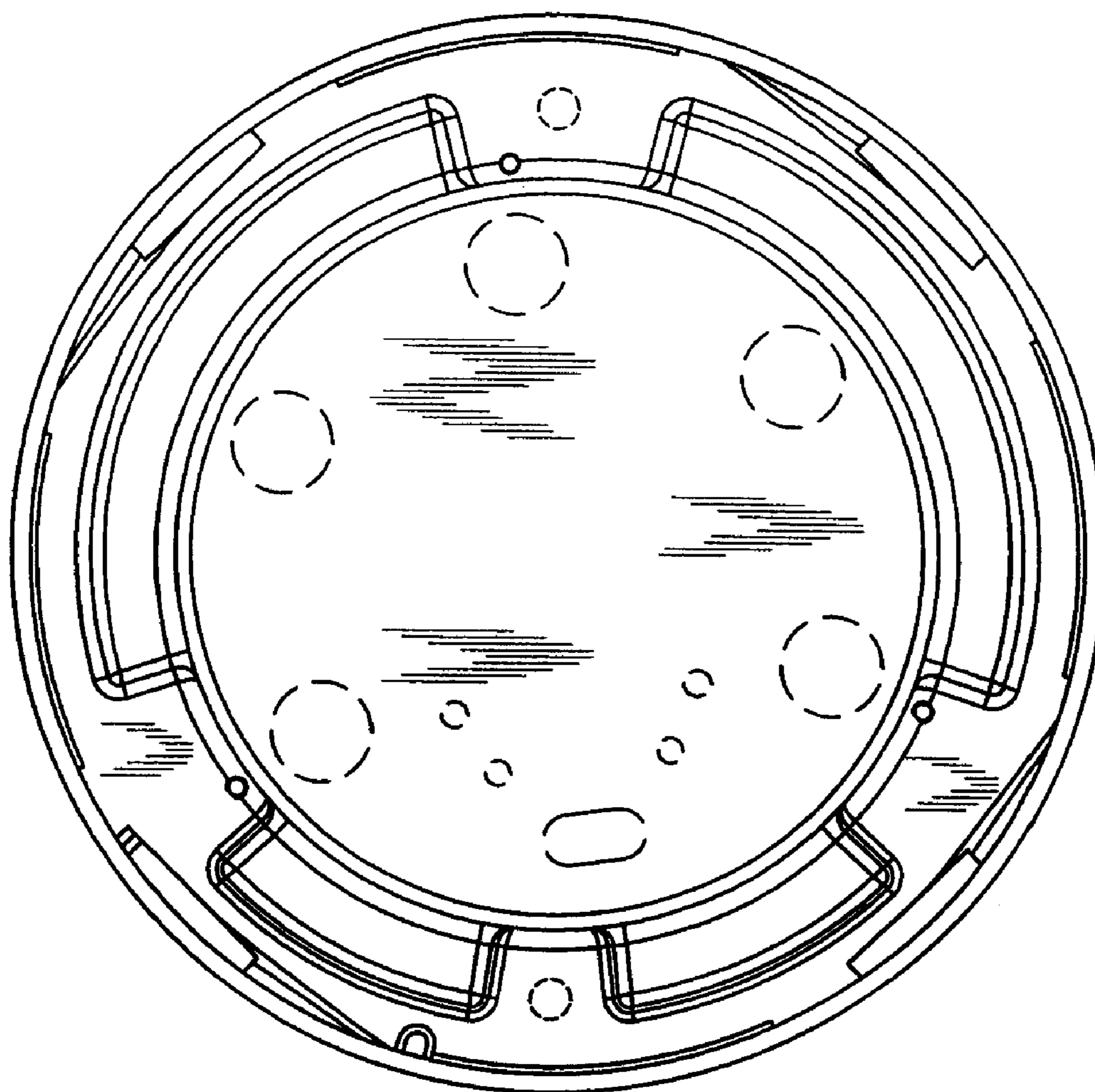


FIG. 3

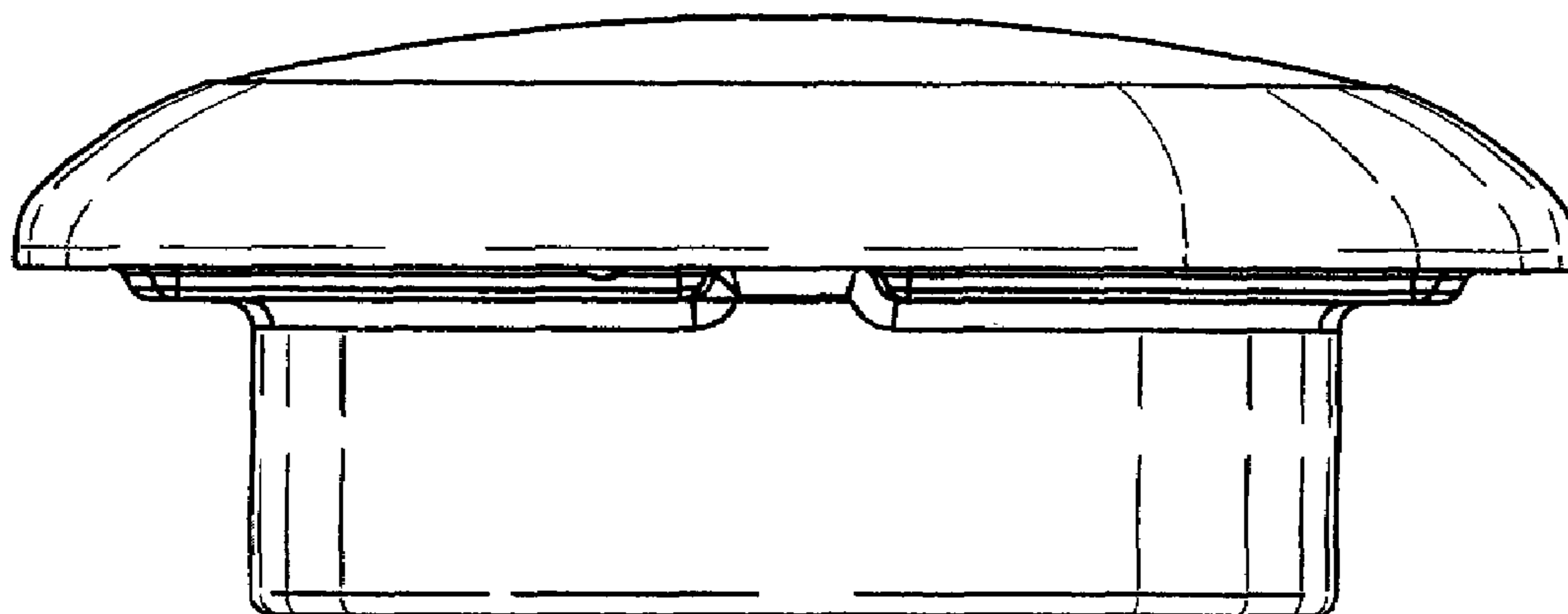


FIG. 4

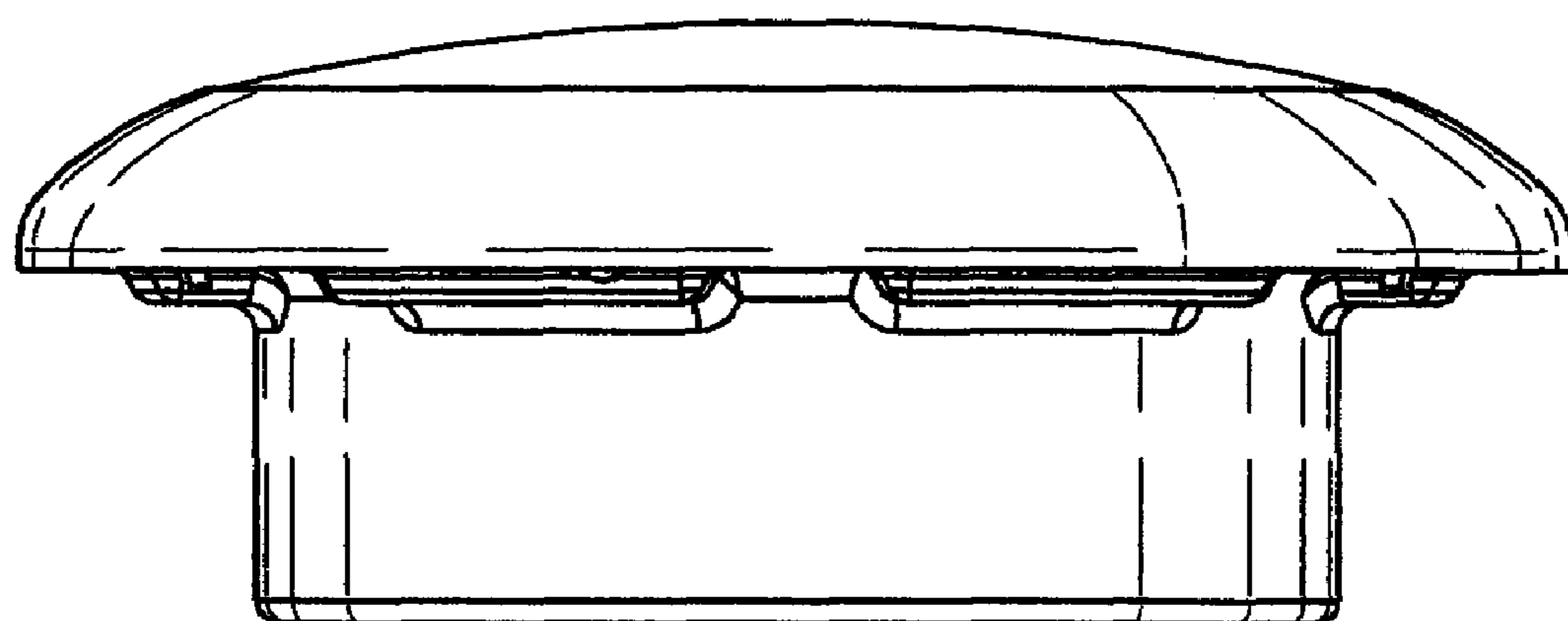


FIG. 5

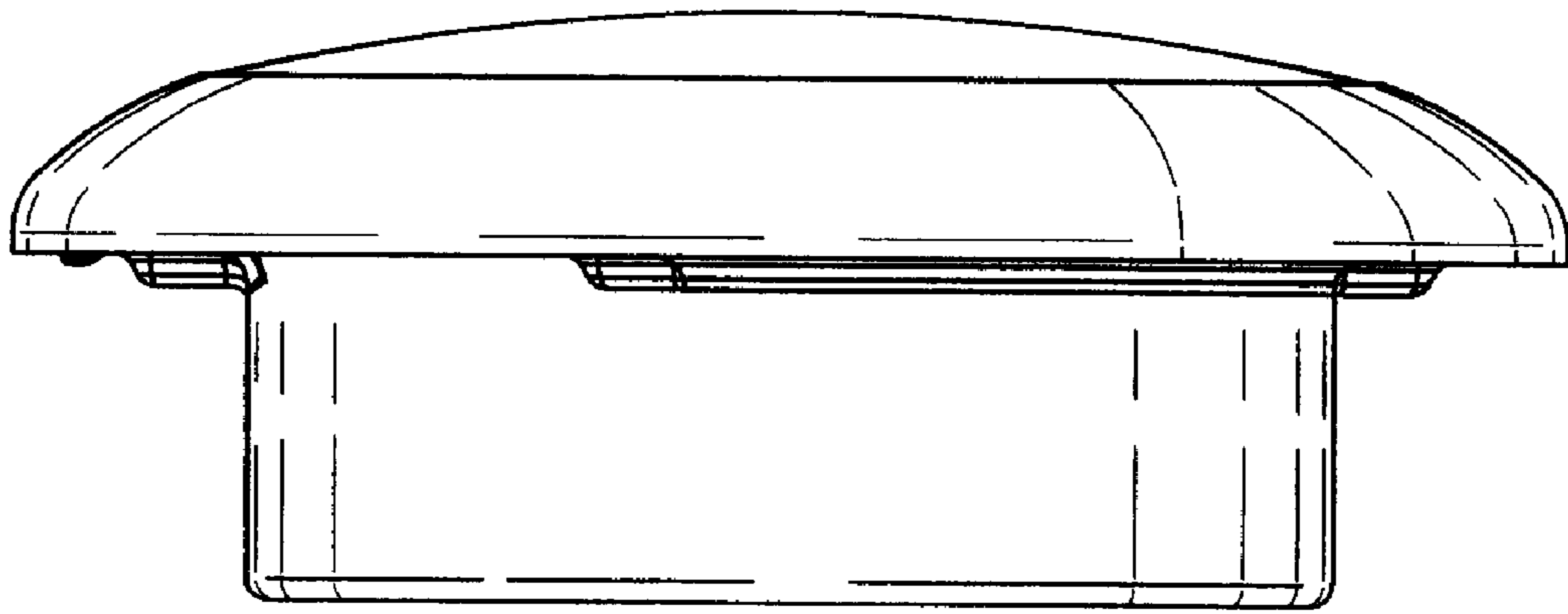


FIG. 6

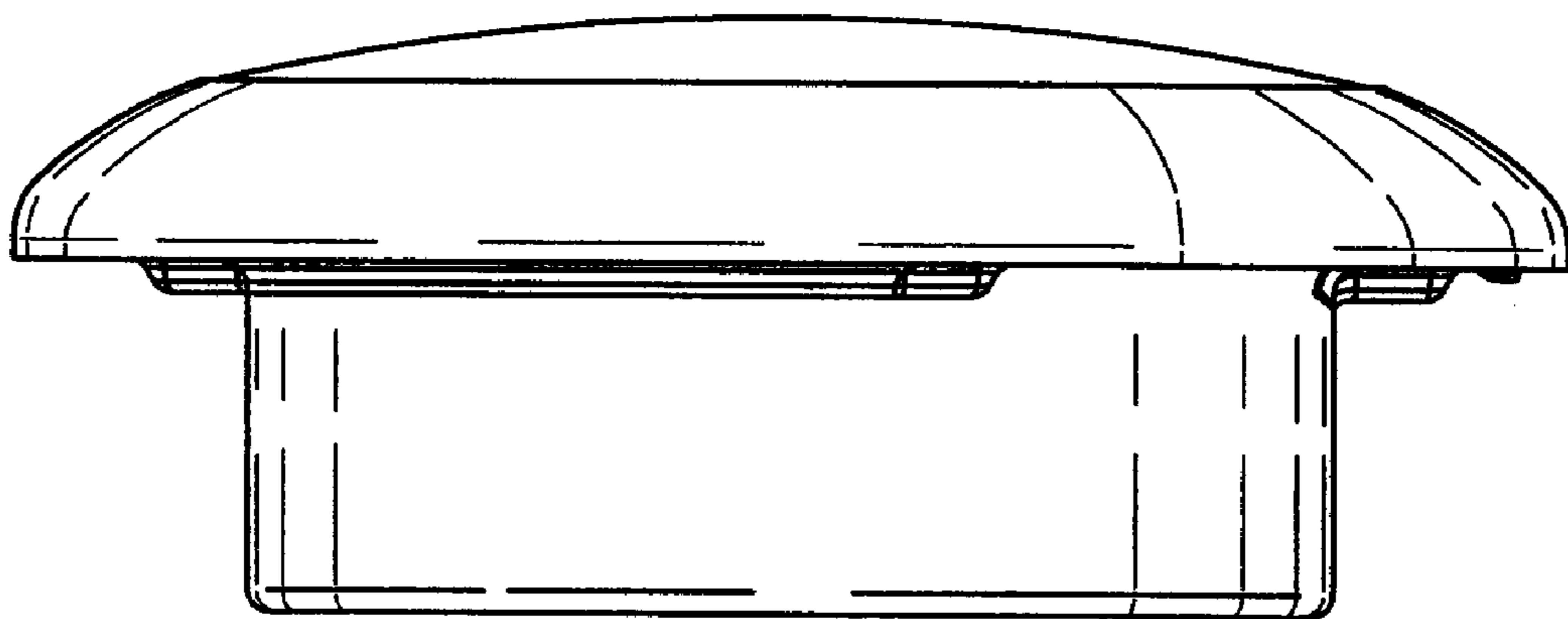


FIG. 7