

US00D570531S

(12) **United States Design Patent**  
**Rashidi**

(10) **Patent No.:** **US D570,531 S**

(45) **Date of Patent:** **\*\* Jun. 3, 2008**

(54) **RECESSED LIGHTING TRIM**

(76) **Inventor:** **Hamid Rashidi**, 139 N. Clark Dr.,  
Beverly Hills, CA (US) 90211

(\*\*) **Term:** **14 Years**

(21) **Appl. No.:** **29/270,864**

(22) **Filed:** **Jan. 4, 2007**

(51) **LOC (8) Cl.** ..... **26-99**

(52) **U.S. Cl.** ..... **D26/118**

(58) **Field of Classification Search** ..... D26/123,  
D26/128, 142, 118, 65, 125, 147, 74, 138,  
D26/113, 24, 61, 63, 133, 120, 67, 85, 32,  
D26/60, 73, 93, 94, 98, 103, 122, 124, 129,  
D26/137, 151, 152, 153, 156; D21/484,  
D21/490; D13/110; 206/223; 362/351,  
362/330, 363

See application file for complete search history.

(56) **References Cited**

**U.S. PATENT DOCUMENTS**

2,913,214	A *	11/1959	Stahlhut	.....	248/343
3,375,368	A *	3/1968	Dorsky	.....	362/306
3,872,296	A *	3/1975	Cohen et al.	.....	362/366
4,039,822	A *	8/1977	Chan et al.	.....	362/296
D247,562	S *	3/1978	Walker et al.	.....	D14/209
4,703,406	A *	10/1987	Elliott et al.	.....	362/365
D308,110	S *	5/1990	Ziaylek, Jr.	.....	D26/36
D320,862	S *	10/1991	Moeller et al.	.....	D26/24
D325,789	S *	4/1992	Atkinson	.....	D26/63
D370,550	S *	6/1996	Lecluze	.....	D26/118
D376,667	S *	12/1996	Lucluze	.....	D26/119

D381,454	S *	7/1997	Lecluze	.....	D26/118
5,662,413	A *	9/1997	Akiyama	.....	362/365
D386,277	S *	11/1997	Lecluze	.....	D26/74
D387,466	S *	12/1997	Lecluze	.....	D26/118
D389,949	S *	1/1998	Walker	.....	D26/118
D397,490	S *	8/1998	Lecluze	.....	D26/118
6,168,298	B1 *	1/2001	Hentz et al.	.....	362/365
6,431,723	B1 *	8/2002	Schubert et al.	.....	362/147
6,588,922	B1 *	7/2003	DeCicco	.....	362/364
D508,751	S *	8/2005	Rashidi	.....	D26/74
D516,235	S *	2/2006	Rashidi	.....	D26/74

\* cited by examiner

*Primary Examiner*—Freda S. Nunn

*Assistant Examiner*—Kevin K Rudzinski

(74) *Attorney, Agent, or Firm*—Thomas I. Rozsa

(57) **CLAIM**

The ornamental design for a recessed lighting trim, as shown and described.

**DESCRIPTION**

FIG. 1 is a perspective view of the recessed lighting trim, showing my design;

FIG. 2 is a top view;

FIG. 3 is a bottom view;

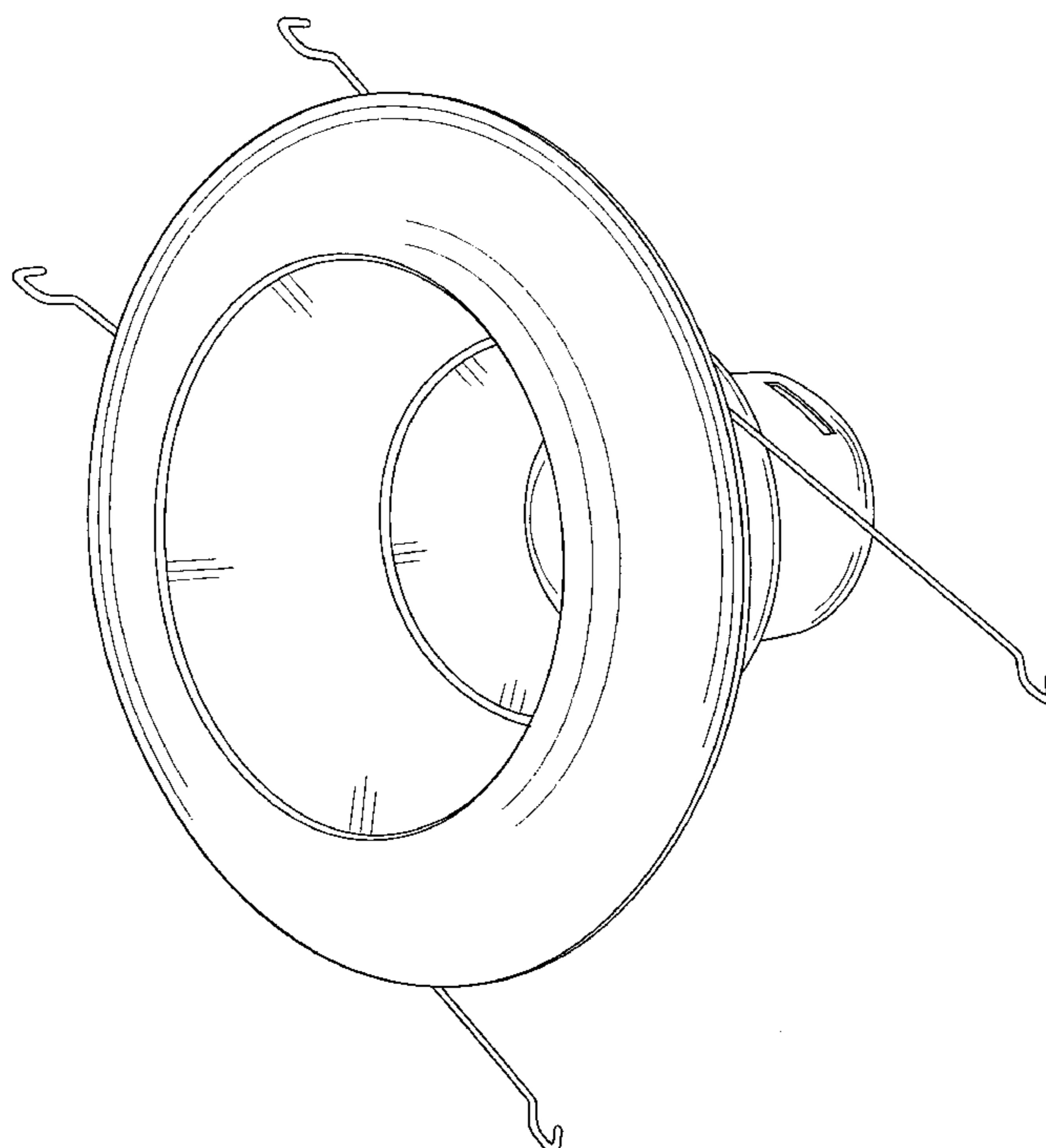
FIG. 4 is a front elevational view;

FIG. 5 is a rear elevational view;

FIG. 6 is a right side view; and,

FIG. 7 is a left side view.

**1 Claim, 7 Drawing Sheets**



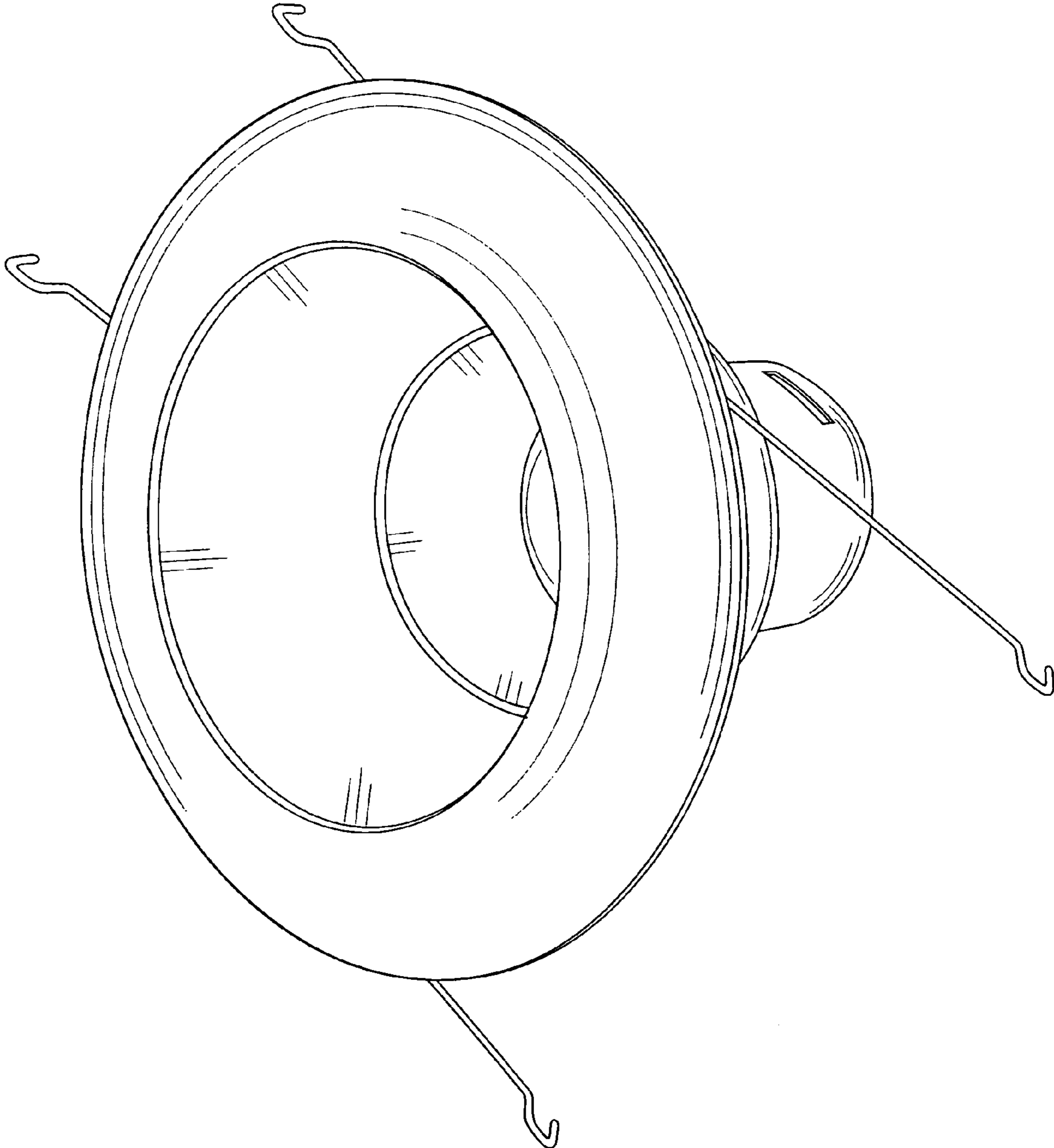


FIG. 1

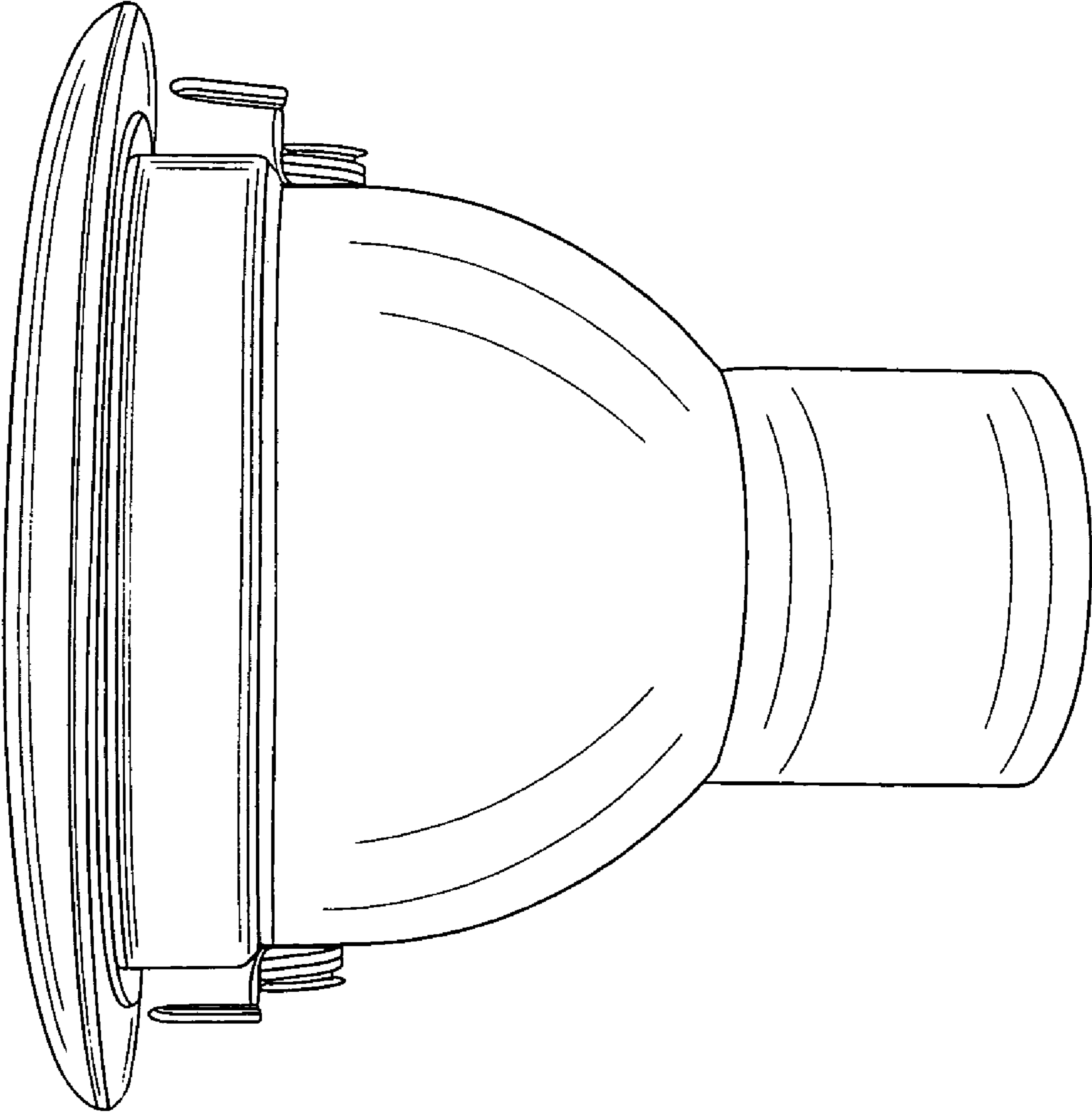


FIG. 2

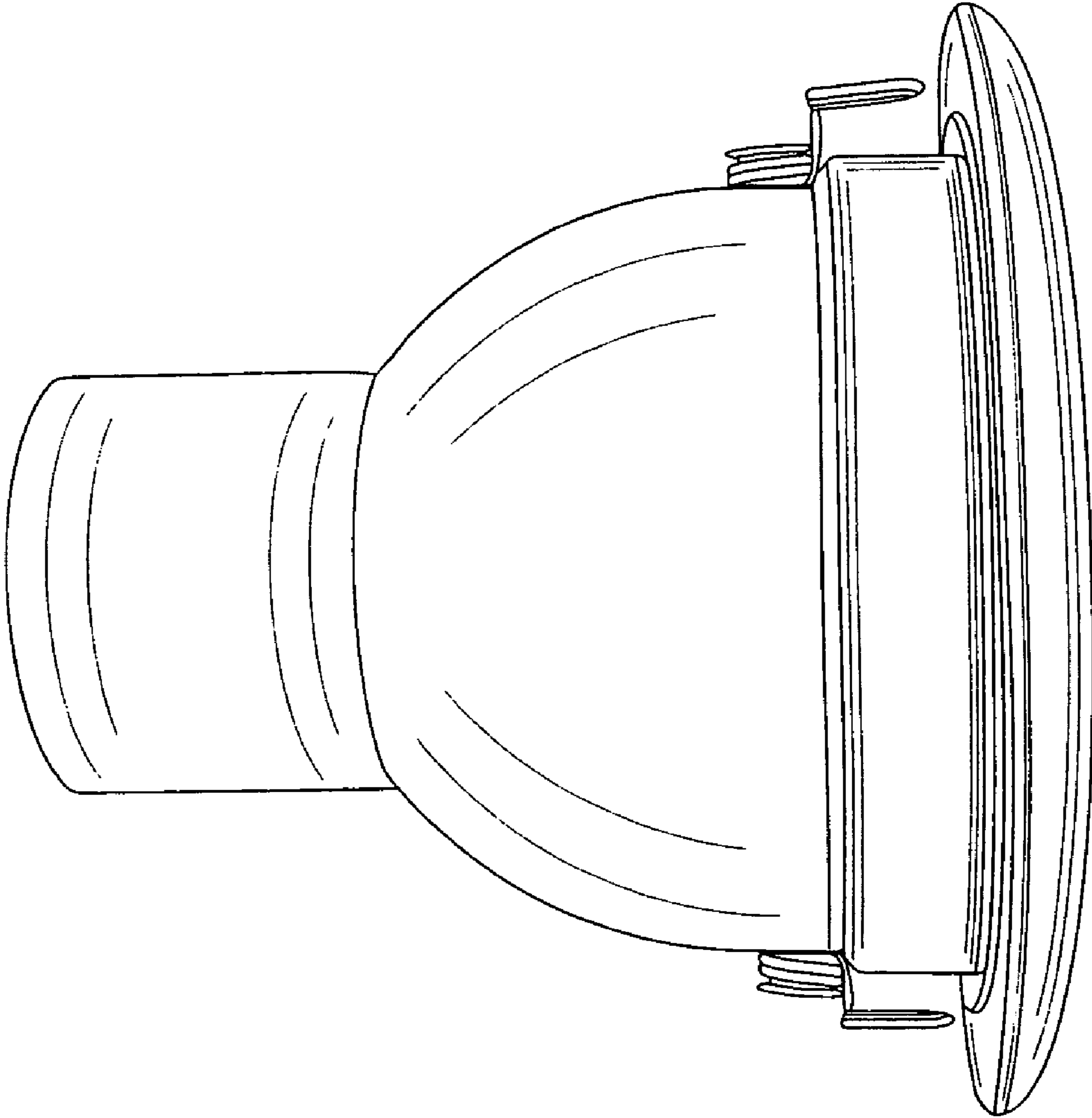


FIG. 3

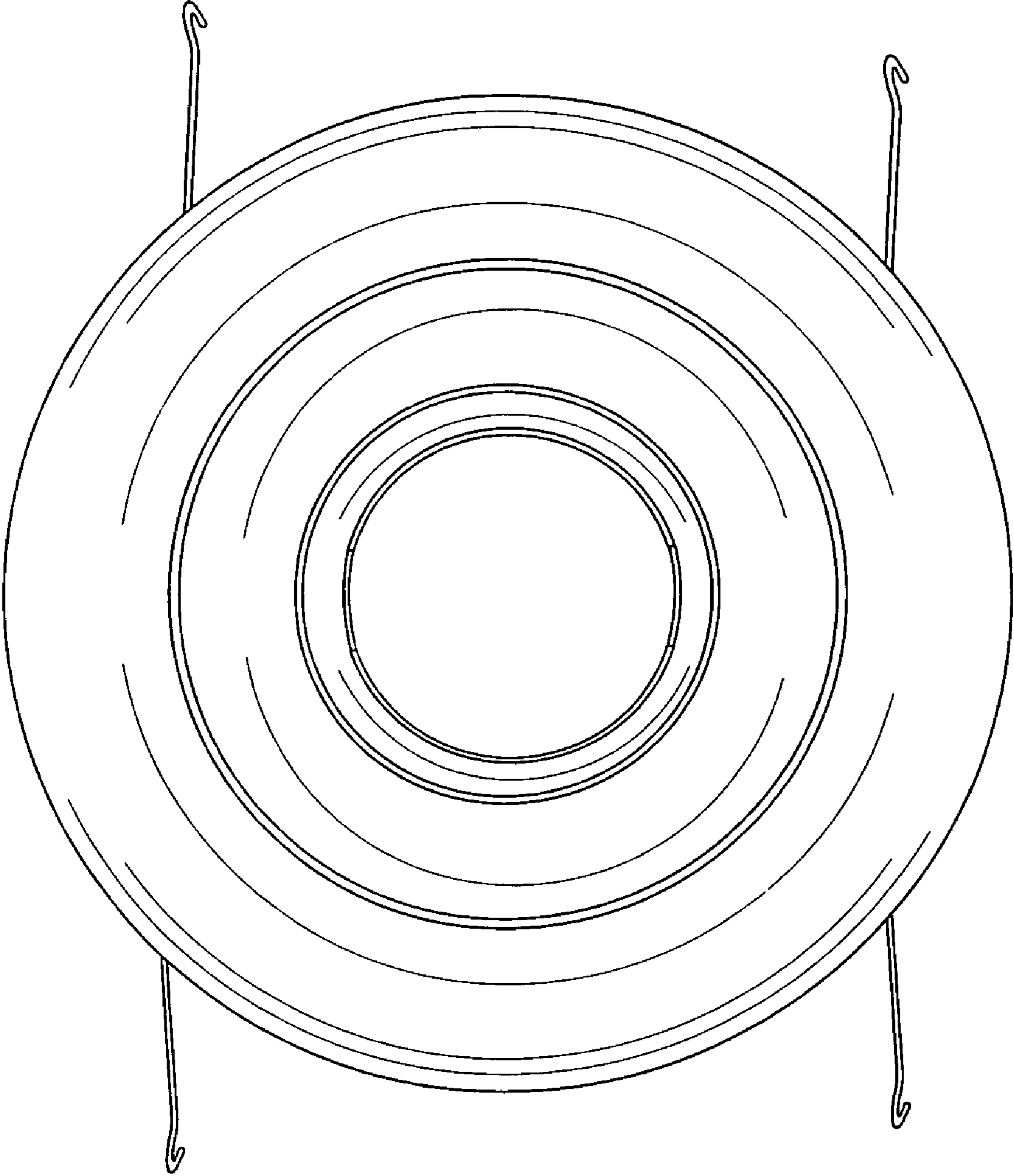


FIG. 4

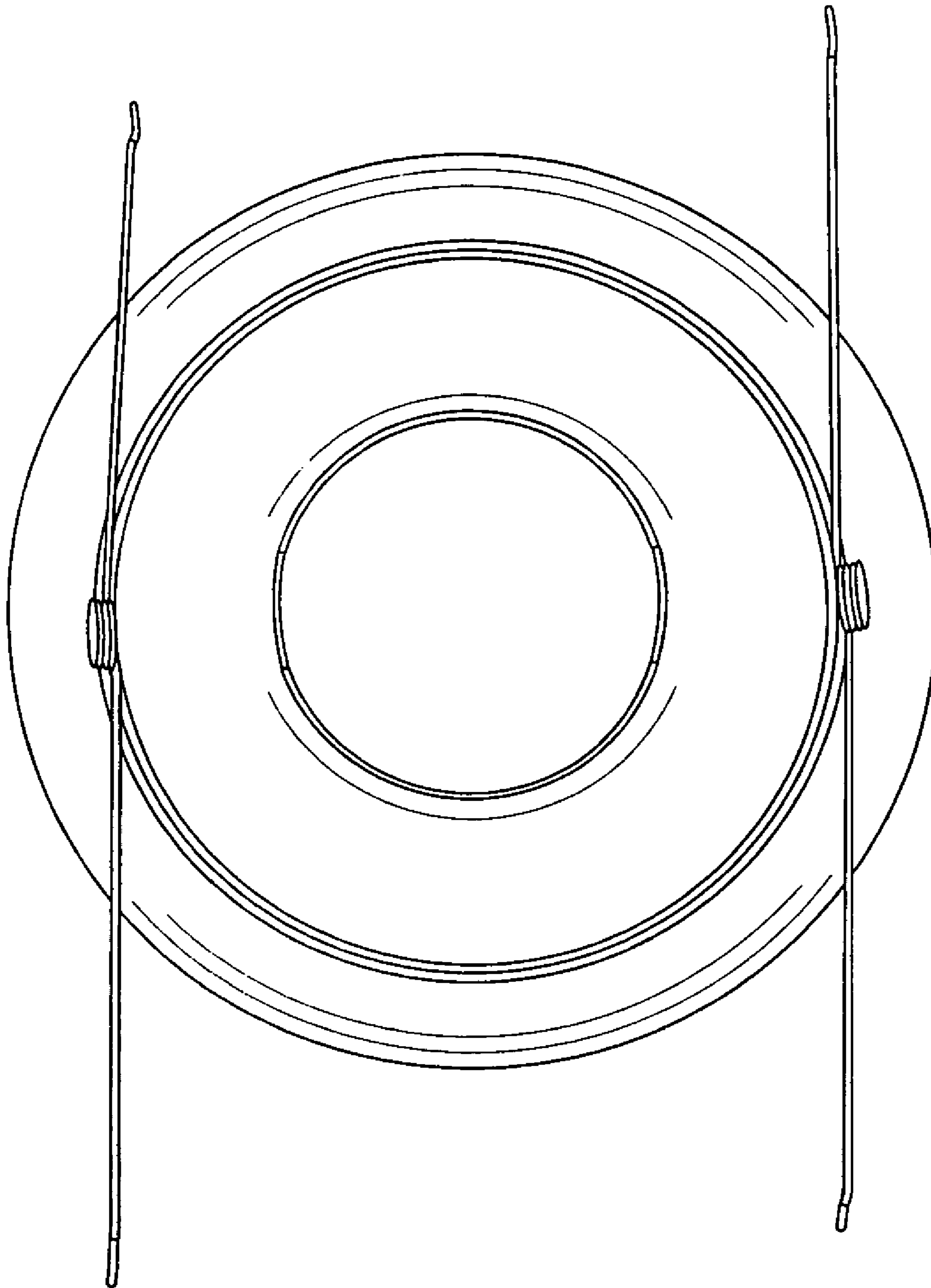


FIG. 5

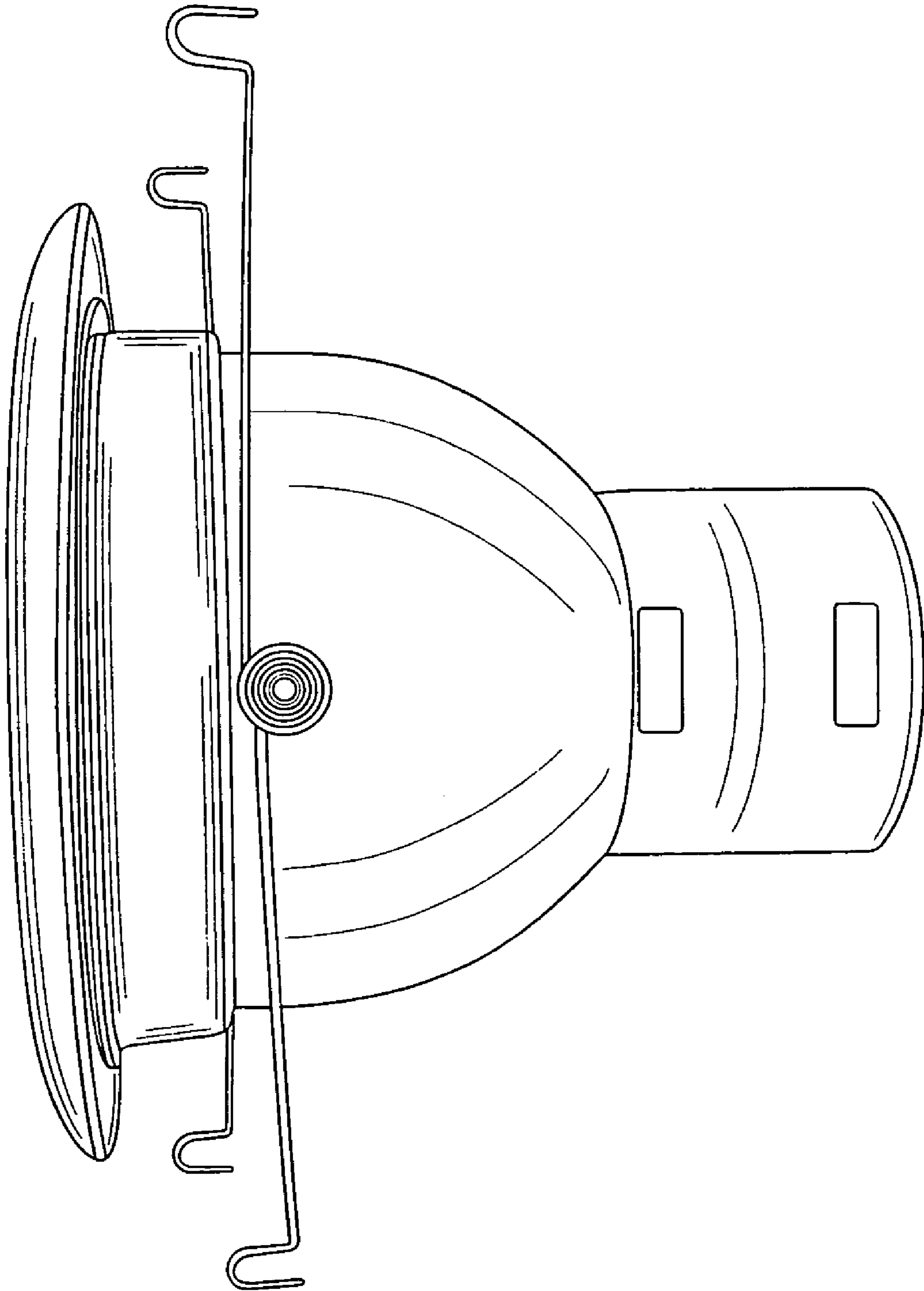


FIG. 6

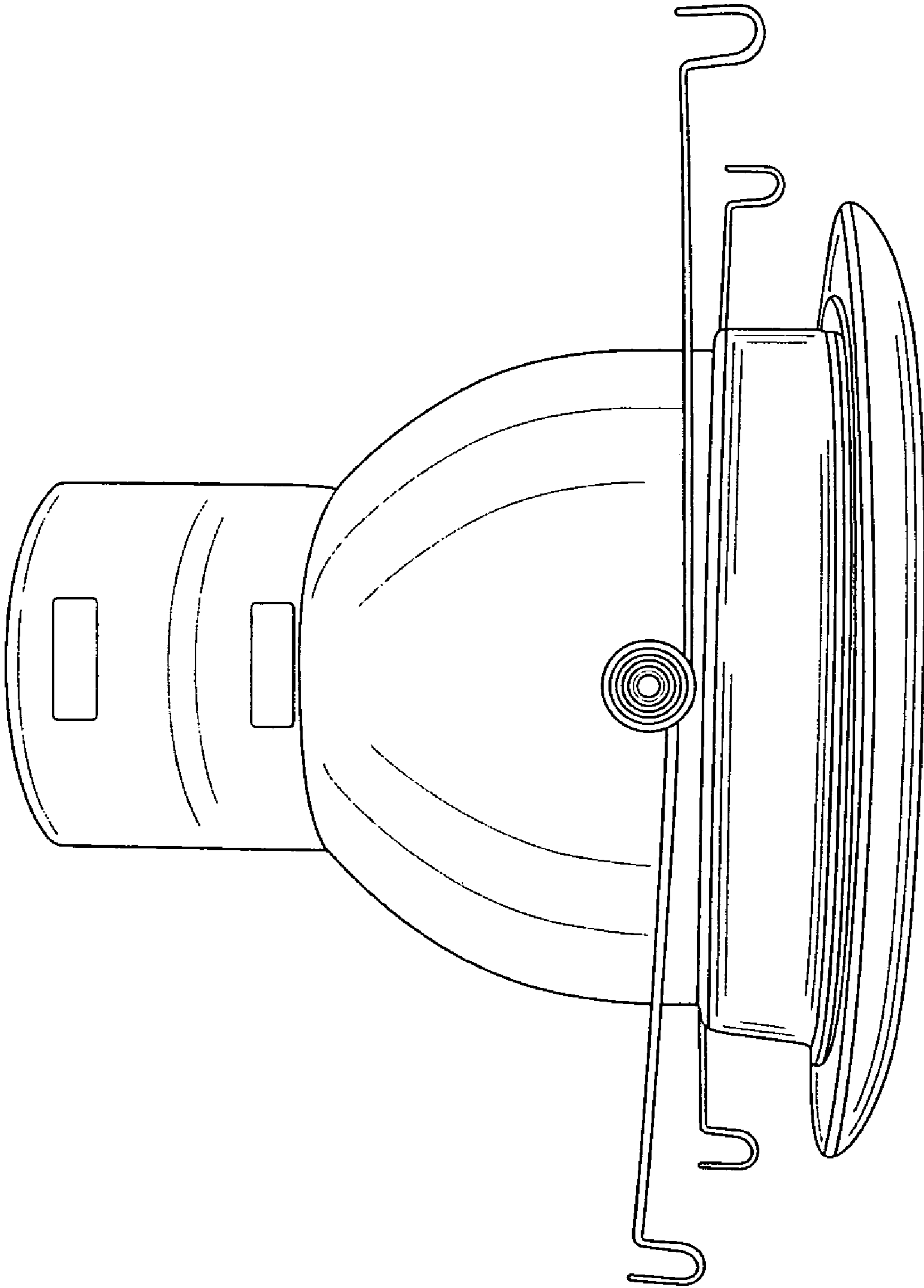


FIG. 7