



US00D570528S

(12) **United States Design Patent**
Thompson

(10) **Patent No.:** **US D570,528 S**
(45) **Date of Patent:** **** Jun. 3, 2008**

(54) **OVAL LIGHTING FIXTURE**

(75) Inventor: **Brandon Thompson**, Osceola, IN (US)

(73) Assignee: **R.B. Gustafson Company**, Elkhart, IN (US)

(**) Term: **14 Years**

(21) Appl. No.: **29/270,138**

(22) Filed: **Dec. 15, 2006**

(51) **LOC (8) Cl.** **26-03**

(52) **U.S. Cl.** **D26/89**

(58) **Field of Classification Search** D26/59,
D26/72, 85, 88, 89, 128; D23/377, 379,
D23/411; 362/147, 150, 361, 363, 404
See application file for complete search history.

(56) **References Cited**

U.S. PATENT DOCUMENTS

D51,412 S *	10/1917	Gillinder	D26/123
1,336,951 A *	4/1920	Muhsgnug et al.	D26/123
D75,432 S *	6/1928	Keller	D26/123
D122,878 S	10/1940	Petzold		
2,255,431 A *	9/1941	Marden et al.	D26/89
D134,355 S *	11/1942	Rolph	D26/88
D228,792 S	10/1973	Conrad		
D228,795 S	10/1973	Peasley		
D237,402 S	10/1975	Leung		
D324,111 S *	2/1992	Arbisi	D26/28
D348,729 S	7/1994	Mason		
D375,812 S	11/1996	Kramer		
5,725,303 A	3/1998	Lin		
5,820,247 A	10/1998	Schuler		
D412,040 S	7/1999	Hudak et al.		
D417,027 S *	11/1999	Cece	D26/74

D446,323 S	8/2001	Hurayt		
D447,829 S	9/2001	Bradford		
D454,219 S	3/2002	Thompson		
D461,269 S	8/2002	Thompson		
D463,611 S	9/2002	Thompson		
D464,164 S	10/2002	Thompson		
D464,759 S	10/2002	Thompson		
D465,599 S	11/2002	Thompson		
D469,561 S	1/2003	Thompson		
D471,657 S	3/2003	Huang		
D482,485 S	11/2003	Benghozi		
D482,816 S	11/2003	Packer		
D509,617 S *	9/2005	Benghozi	D26/89
D514,008 S	1/2006	Sassoon		
D519,661 S	4/2006	Young		
D555,824 S *	11/2007	Dickson	D26/127

* cited by examiner

Primary Examiner—Clare E Heflin

(74) *Attorney, Agent, or Firm*—Duane Morris LLP

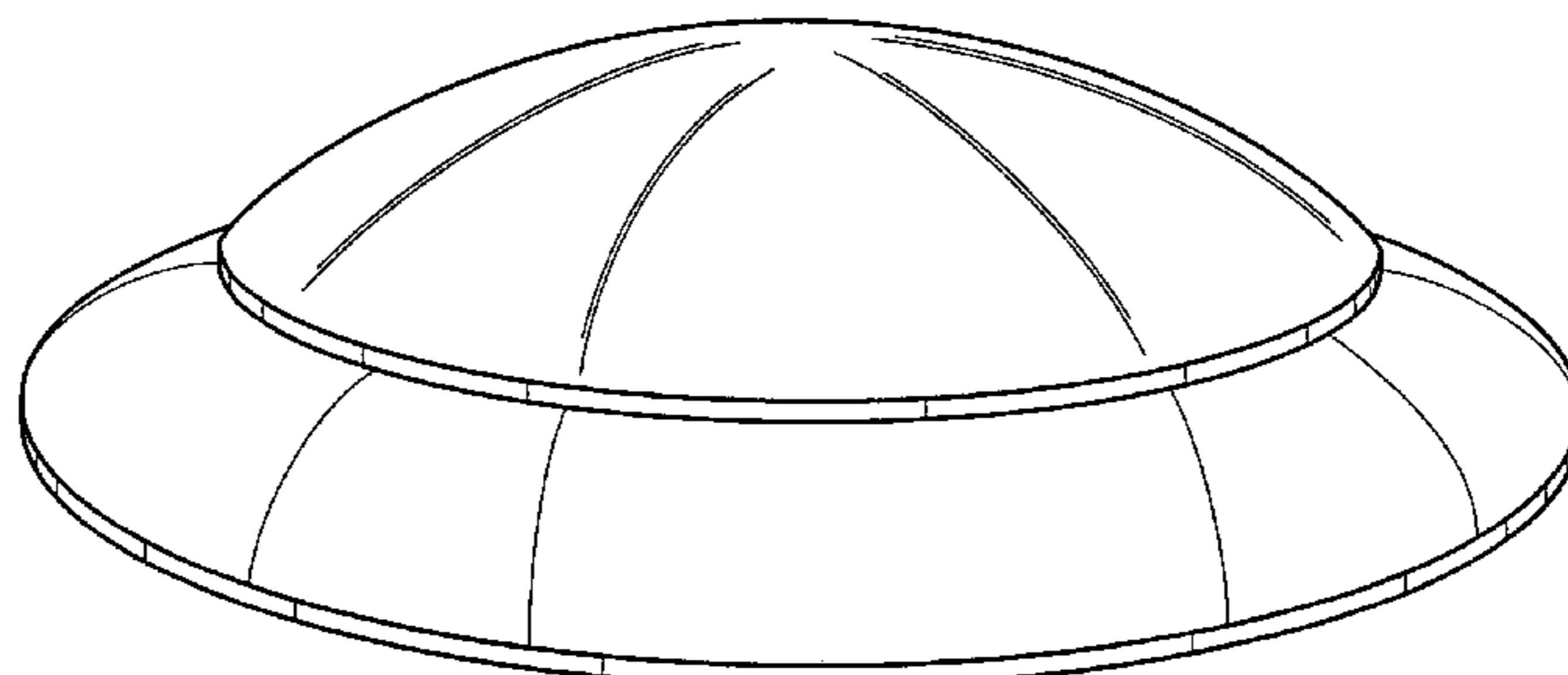
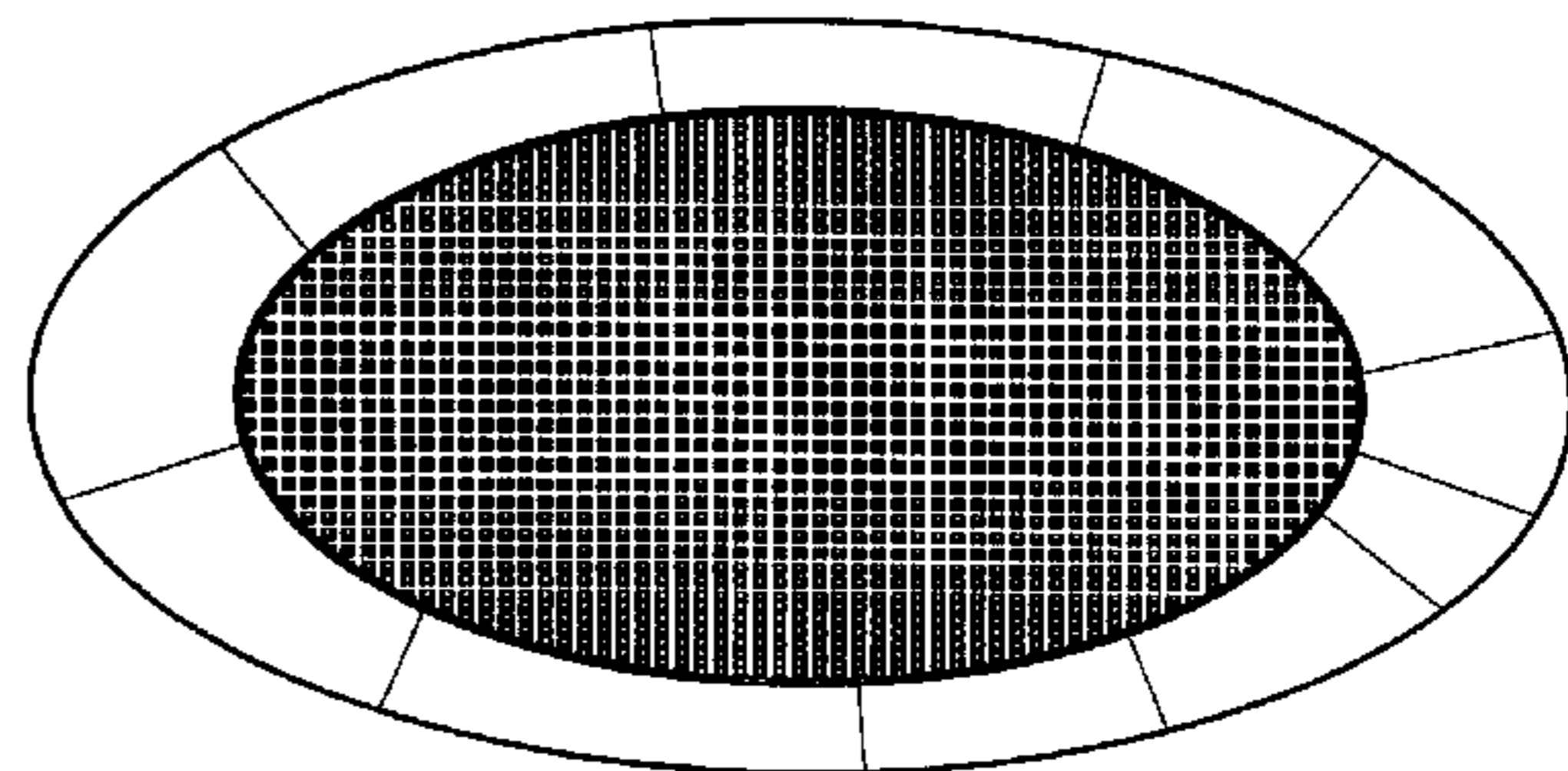
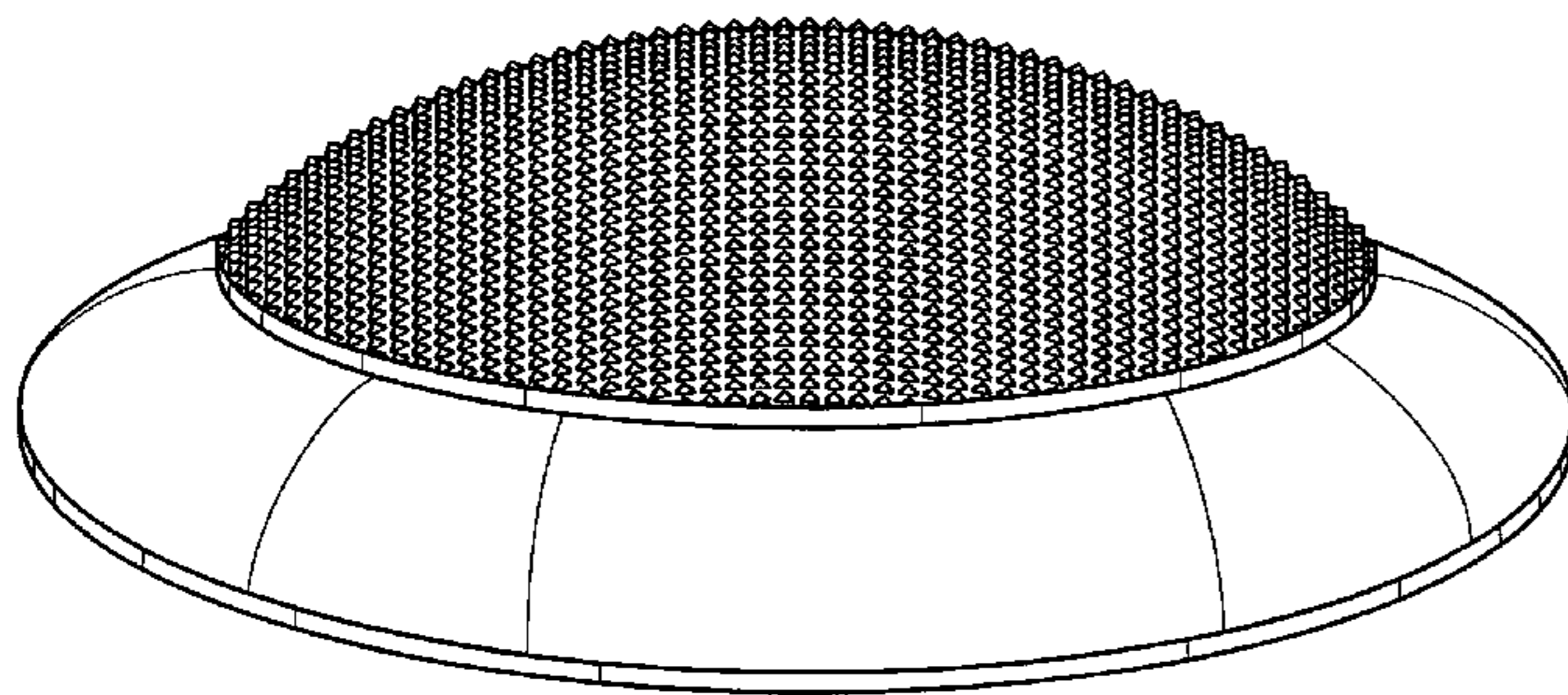
(57) **CLAIM**

The ornamental design for an oval lighting fixture, as shown and described.

DESCRIPTION

FIG. 1 is a perspective view of my new design;
FIG. 2 is a top view of the design of FIG. 1;
FIG. 3 is a bottom view of the design of FIG. 1
FIG. 4 is a side elevation view of the design of FIG. 1;
FIG. 5 is an end elevation view of the design of FIG. 1; and,
FIG. 6 is perspective view of the design of FIG. 1, with a frosted lens.

1 Claim, 4 Drawing Sheets



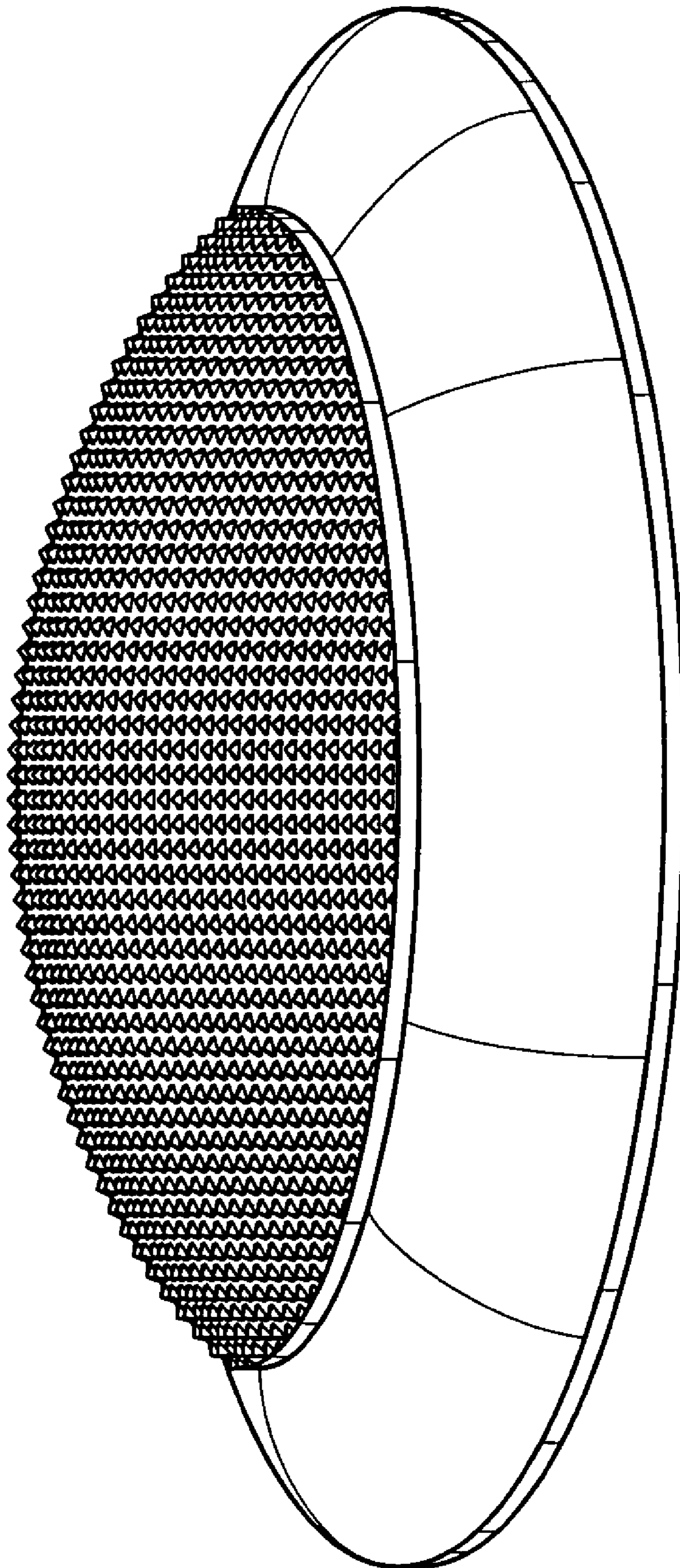


Fig. 1

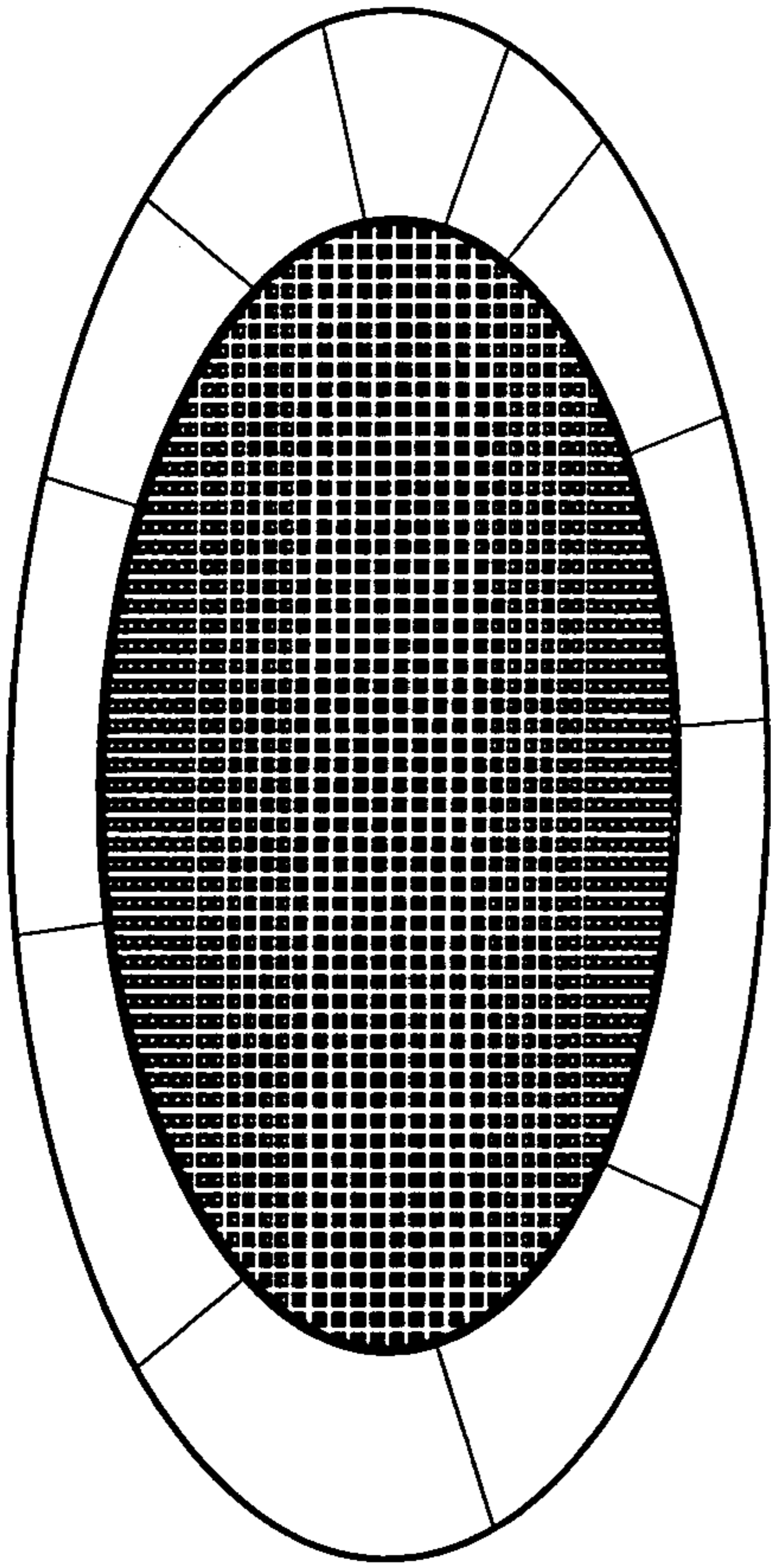


Fig. 2

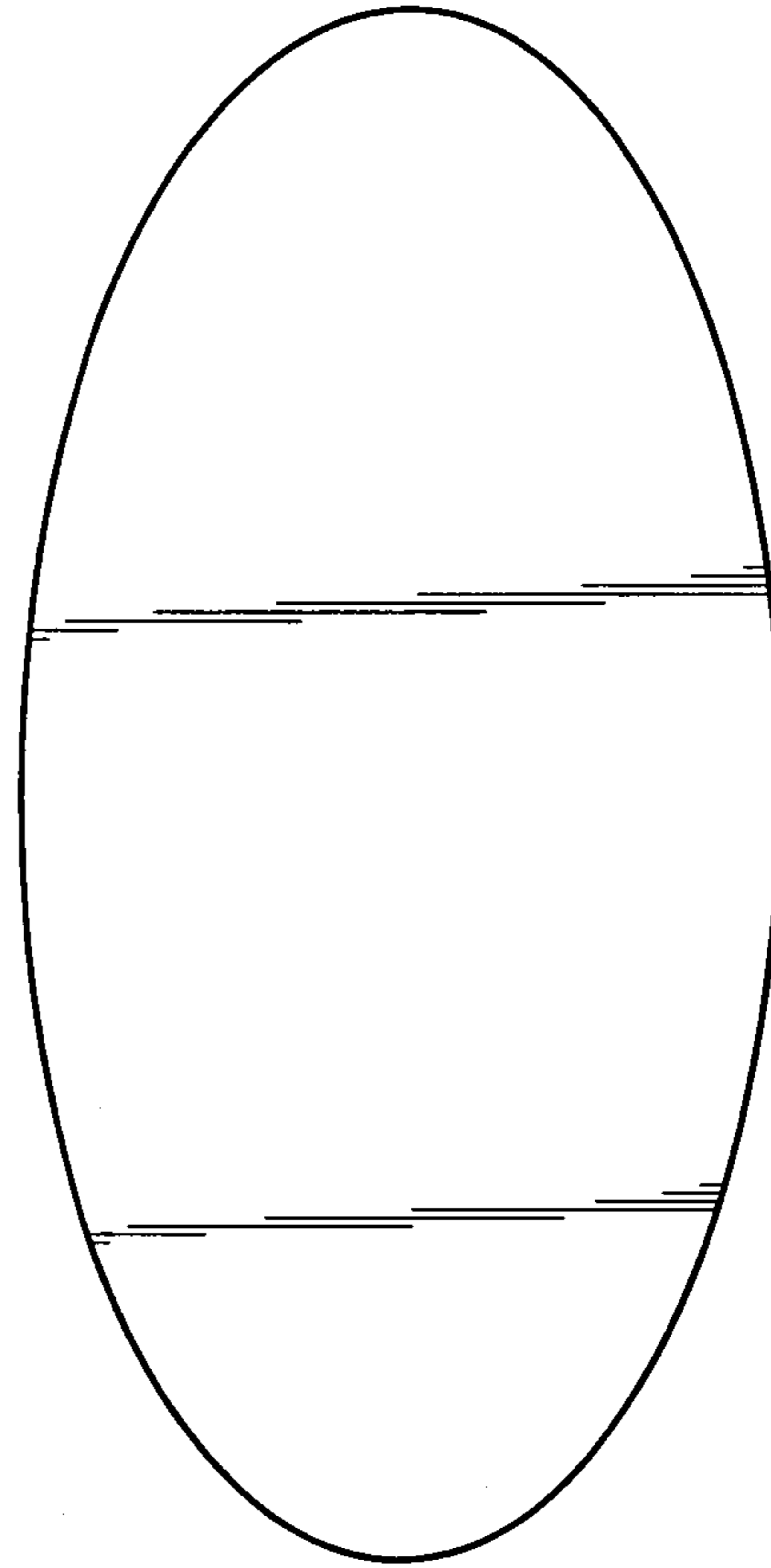


Fig. 3

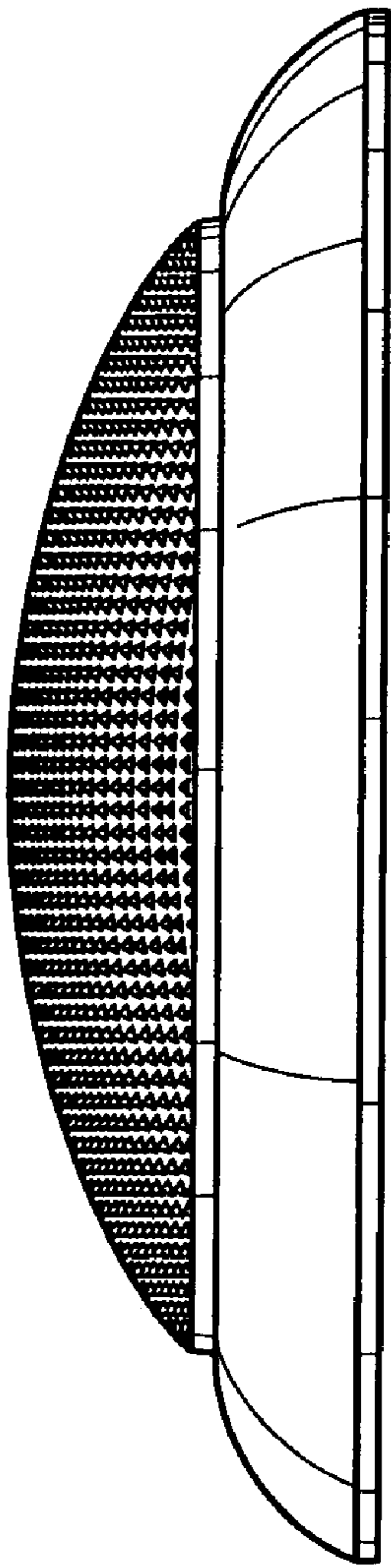


Fig. 4

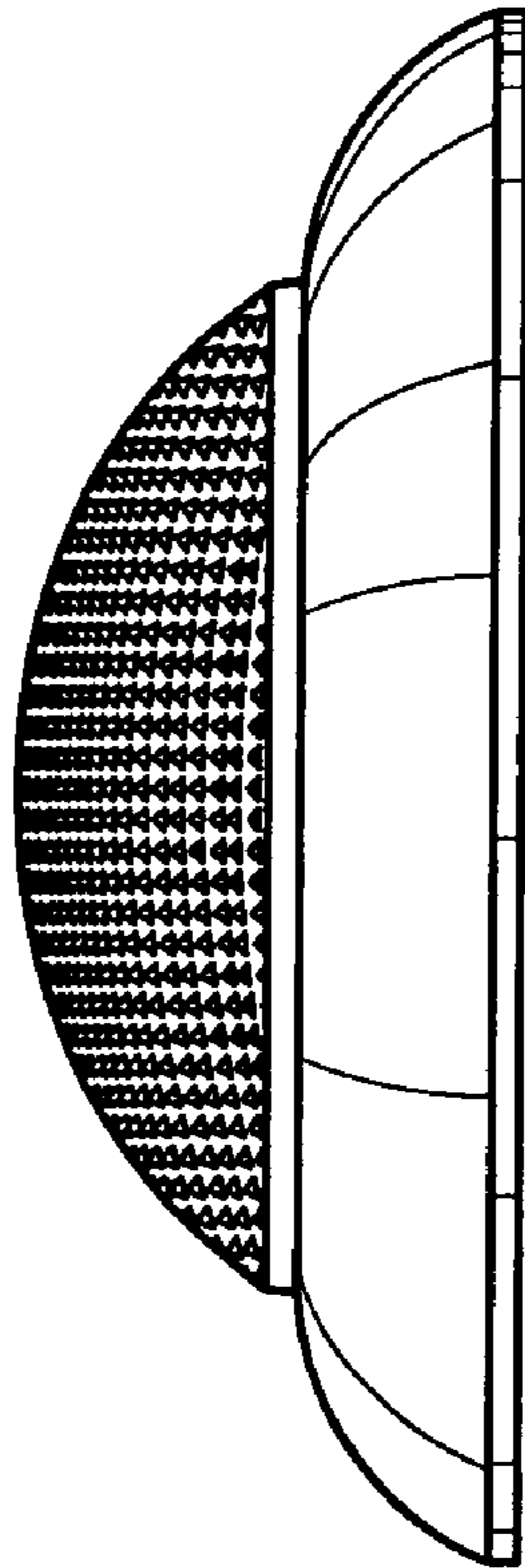


Fig. 5

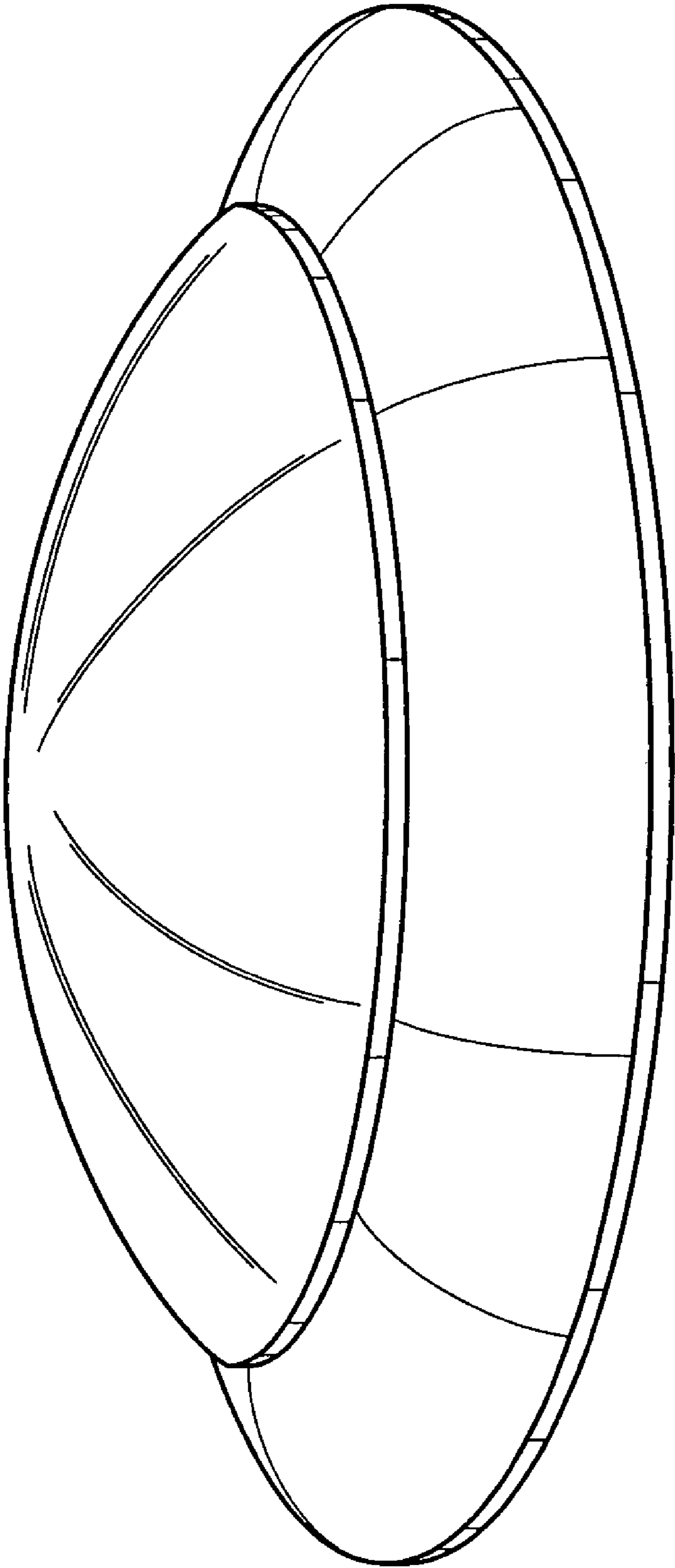


Fig. 6