

US00D570527S

(12) **United States Design Patent**
Pelzl

(10) **Patent No.:** **US D570,527 S**
(45) **Date of Patent:** **** Jun. 3, 2008**

(54) **LAMP**

(75) Inventor: **Nik Pelzl**, Vienna (AT)

(73) Assignee: **Swarovski Aktiengesellschaft**, Triesen (LI)

(**) Term: **14 Years**

(21) Appl. No.: **29/267,325**

(22) Filed: **Oct. 12, 2006**

(30) **Foreign Application Priority Data**

Apr. 13, 2006 (EM) 000512835

(51) **LOC (8) Cl.** **26-03**

(52) **U.S. Cl.** **D26/88**

(58) **Field of Classification Search** D26/72,
D26/84, 85, 86, 88-91, 118, 128, 130, 131,
D26/135, 137; 362/147, 404, 407
See application file for complete search history.

(56) **References Cited**

U.S. PATENT DOCUMENTS

D40,221	S	*	8/1909	Pitner	D26/88
D51,085	S	*	7/1917	Vaughn	D26/88
2,753,445	A	*	7/1956	Bixby et al.	362/404
D189,313	S	*	11/1960	Rambusch et al.	D26/88
D307,060	S	*	4/1990	Fraser	D26/88
D315,220	S	*	3/1991	Ramelia	D26/88
D342,338	S	*	12/1993	Thun	D26/88
D404,168	S	*	1/1999	Dolan	D26/88
D405,553	S	*	2/1999	Stewart	D26/88
D418,625	S	*	1/2000	Dolan	D26/88
D433,526	S	*	11/2000	Minissi et al.	D26/88

* cited by examiner

Primary Examiner—Clare E Heflin

(74) *Attorney, Agent, or Firm*—Wenderoth, Lind & Ponack, L.L.P.

(57) **CLAIM**

I claim the ornamental design for a lamp, as shown and described.

DESCRIPTION

FIG. 1 is a front view of a lamp according to a first embodiment of the present design;

FIG. 2 is a left side view of the first embodiment;

FIG. 3 is a top side view of the first embodiment;

FIG. 4 is a right view of the first embodiment;

FIG. 5 is a bottom view of the first embodiment;

FIG. 6 is a back view of the first embodiment;

FIG. 7 is a perspective view from the bottom;

FIG. 8 is a perspective view from the top;

FIG. 9 is a front view of a lamp according to a second embodiment of the present design;

FIG. 10 is a left side view of the second embodiment;

FIG. 11 is a top side view of the second embodiment;

FIG. 12 is a right view of the second embodiment;

FIG. 13 is a bottom view of the second embodiment;

FIG. 14 is a back view of the second embodiment;

FIG. 15 is a perspective view from the bottom; and,

FIG. 16 is a perspective view from the top.

1 Claim, 2 Drawing Sheets

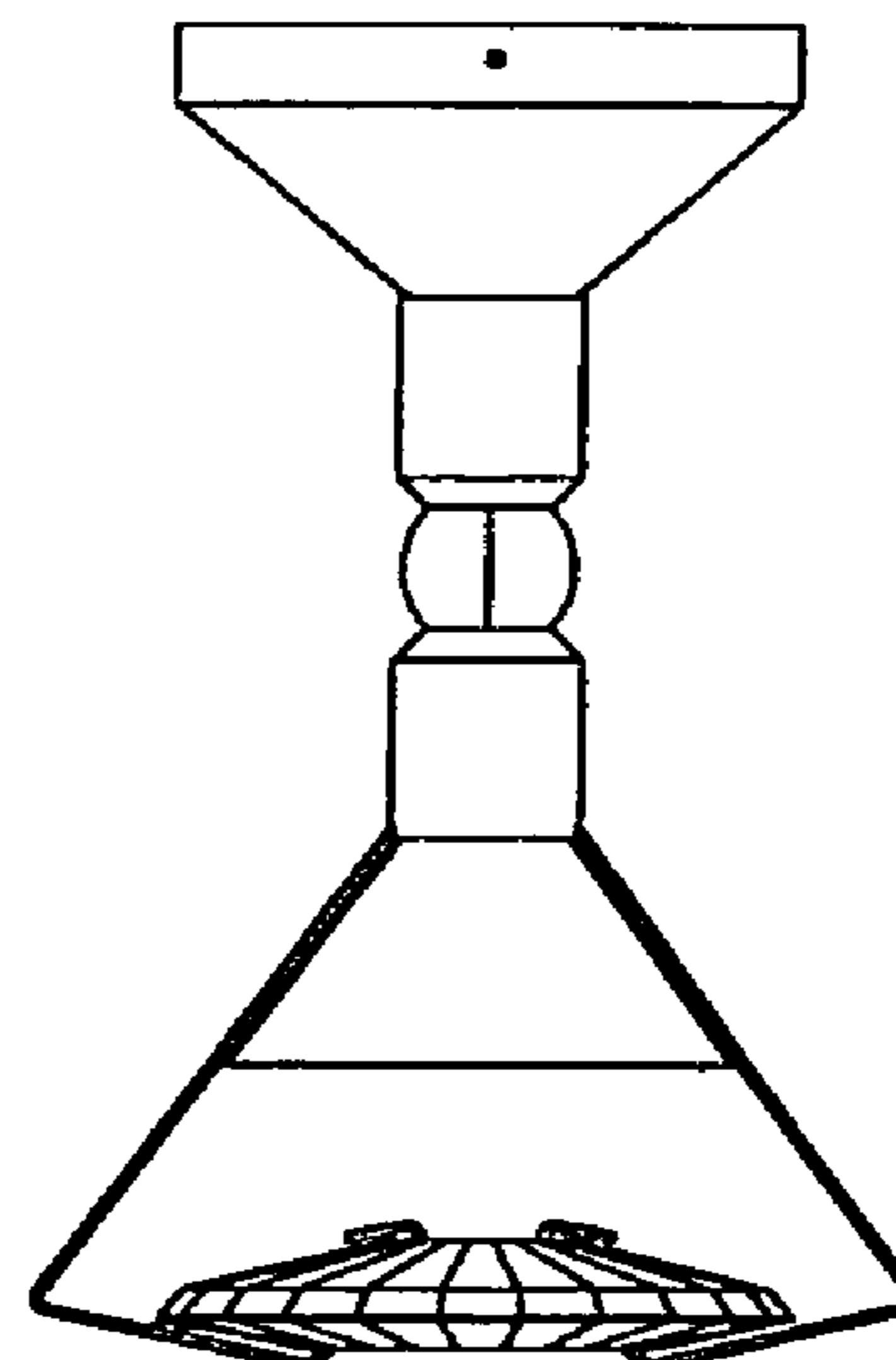
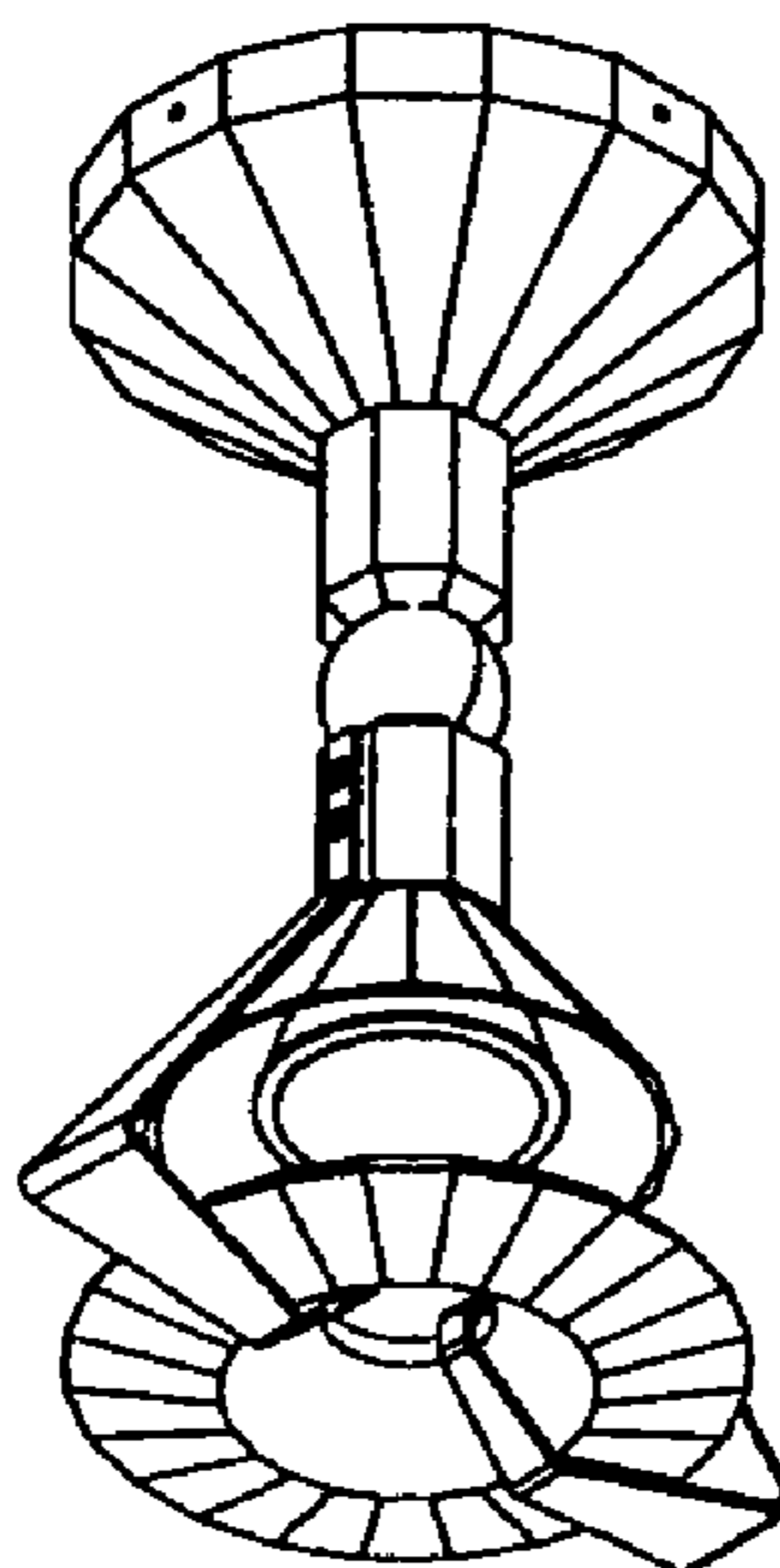
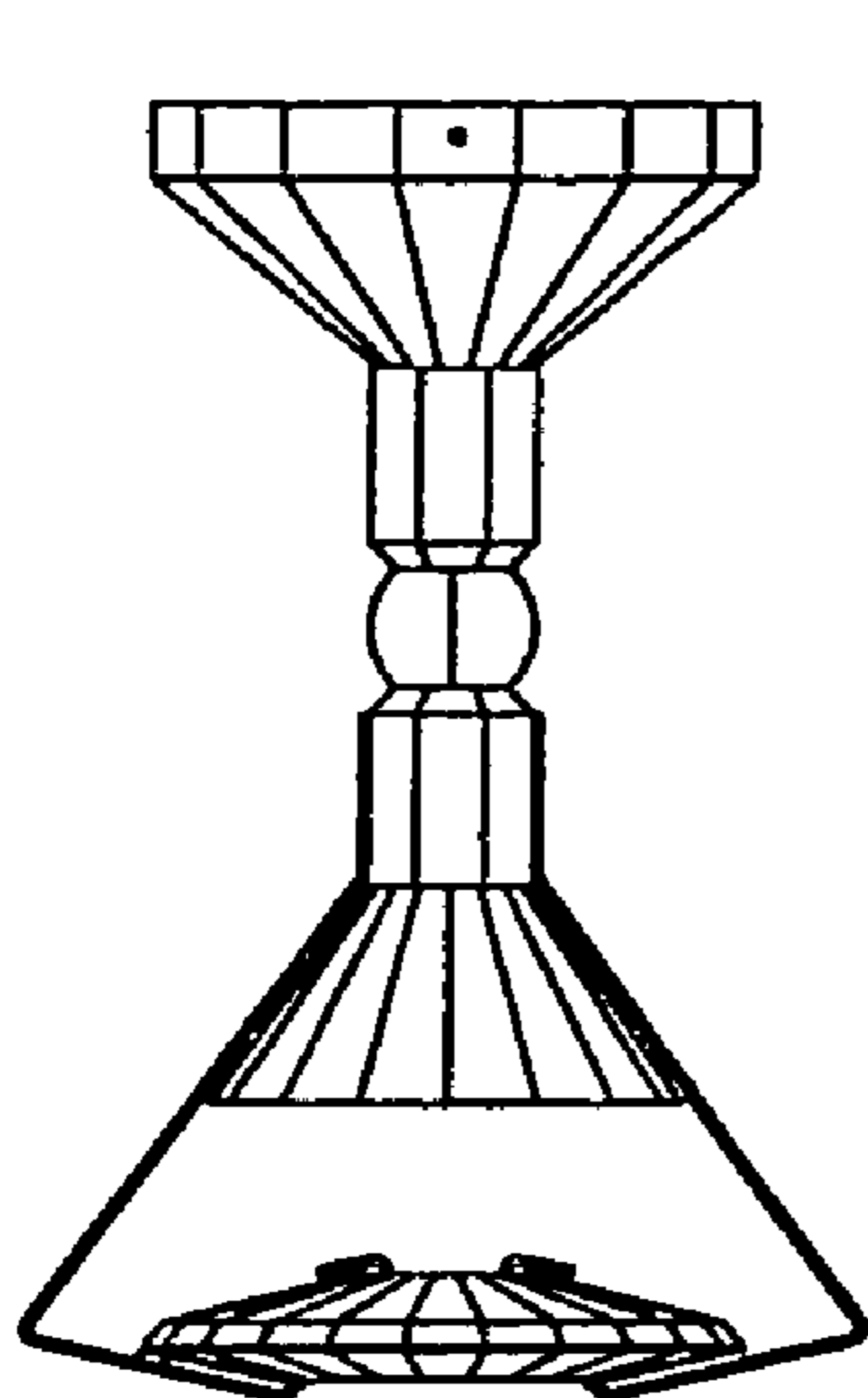


Fig. 1

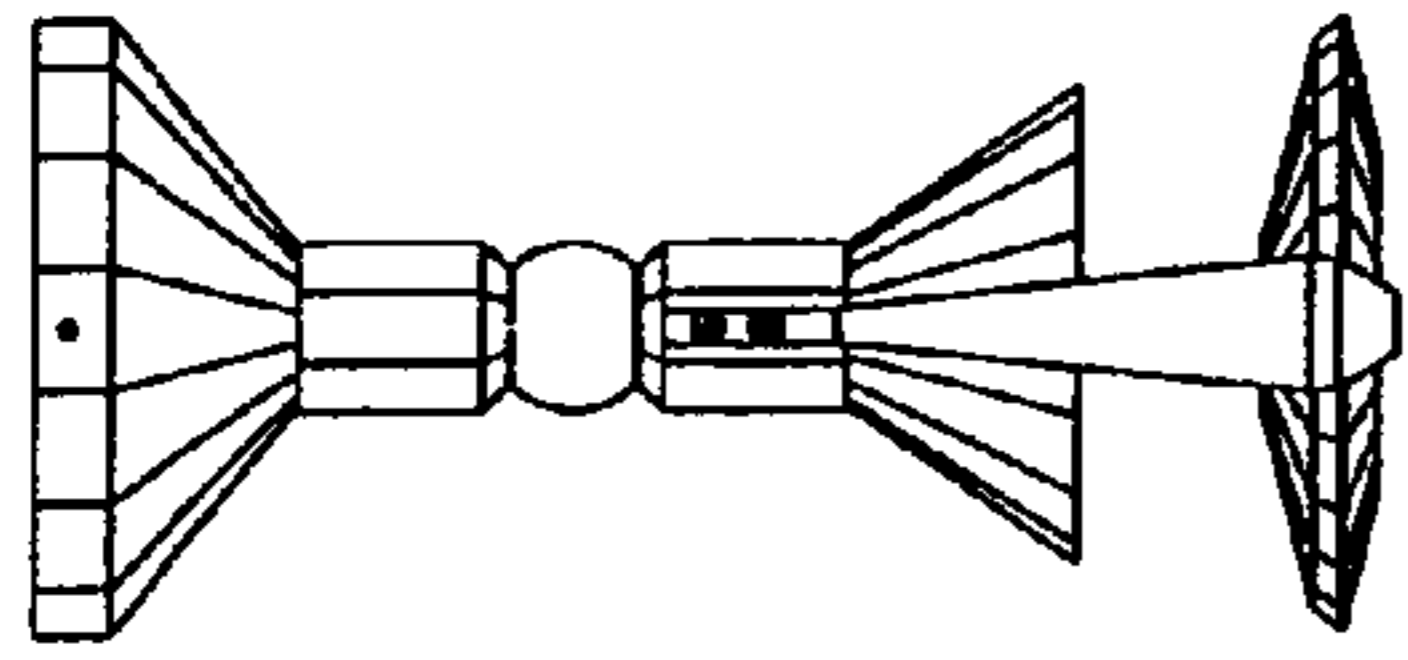
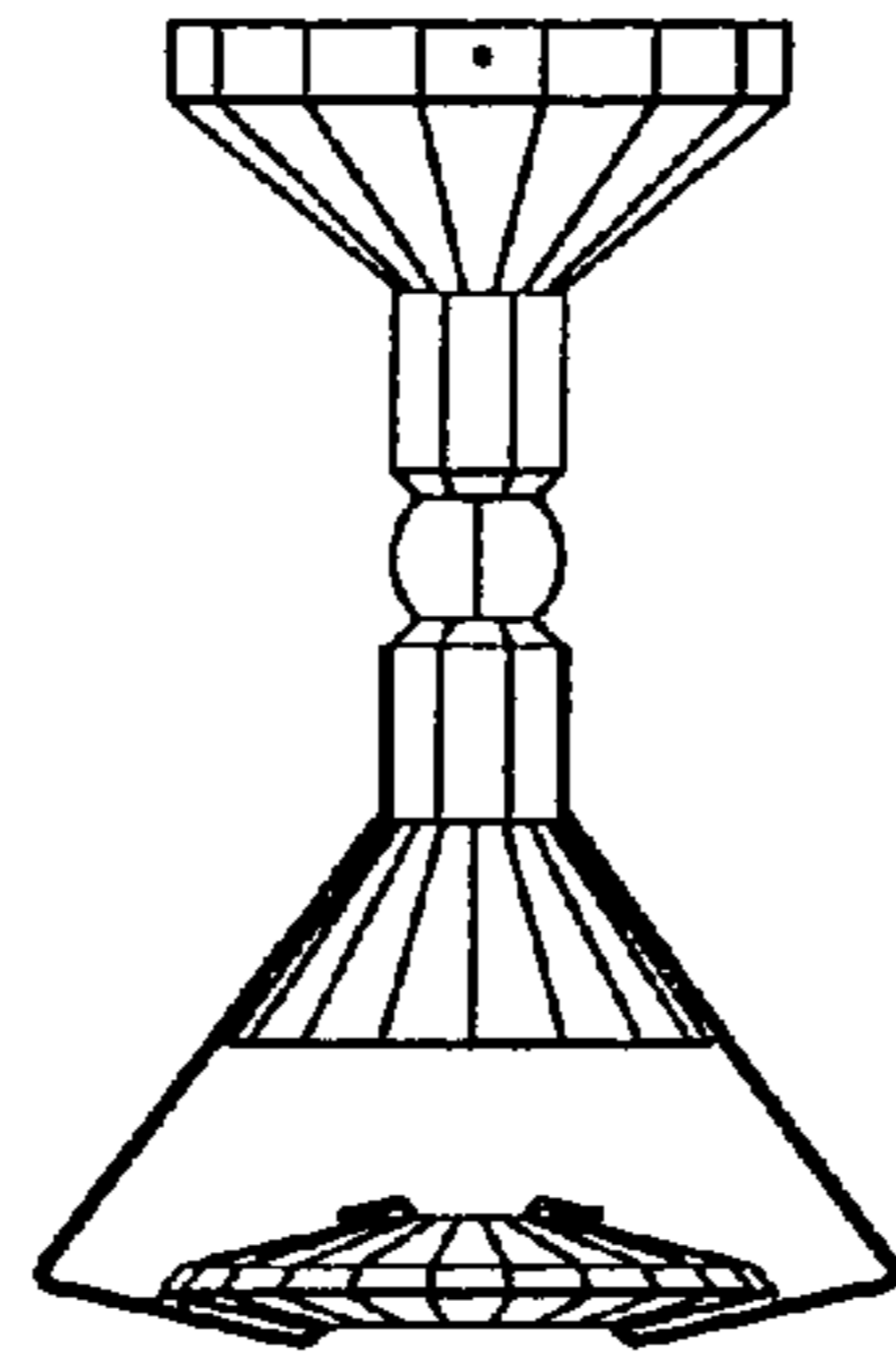


Fig. 2

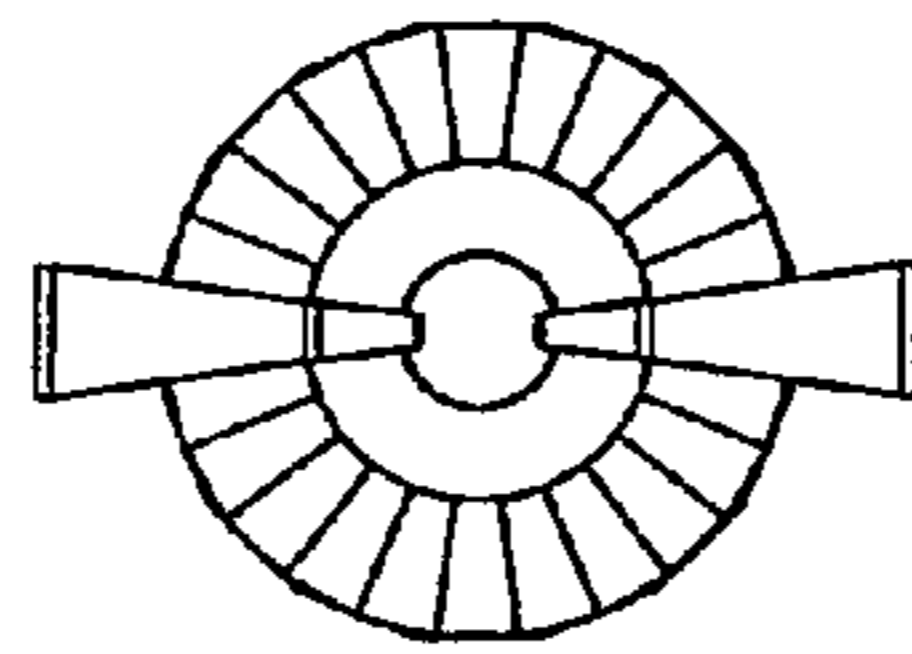


Fig. 3

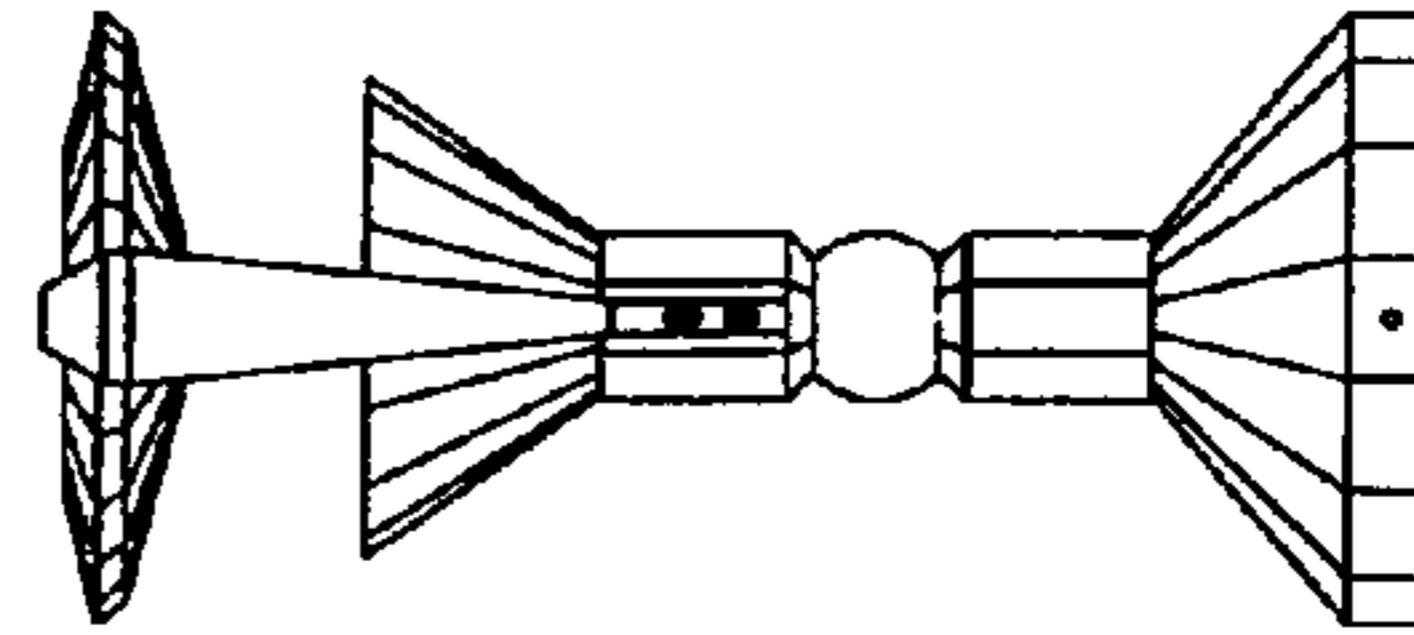


Fig. 4

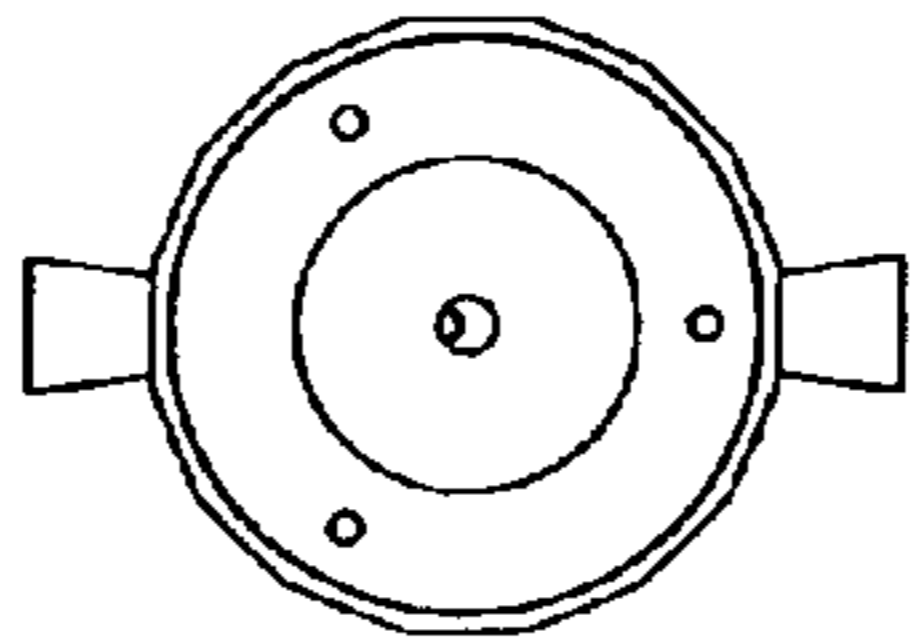


Fig. 5

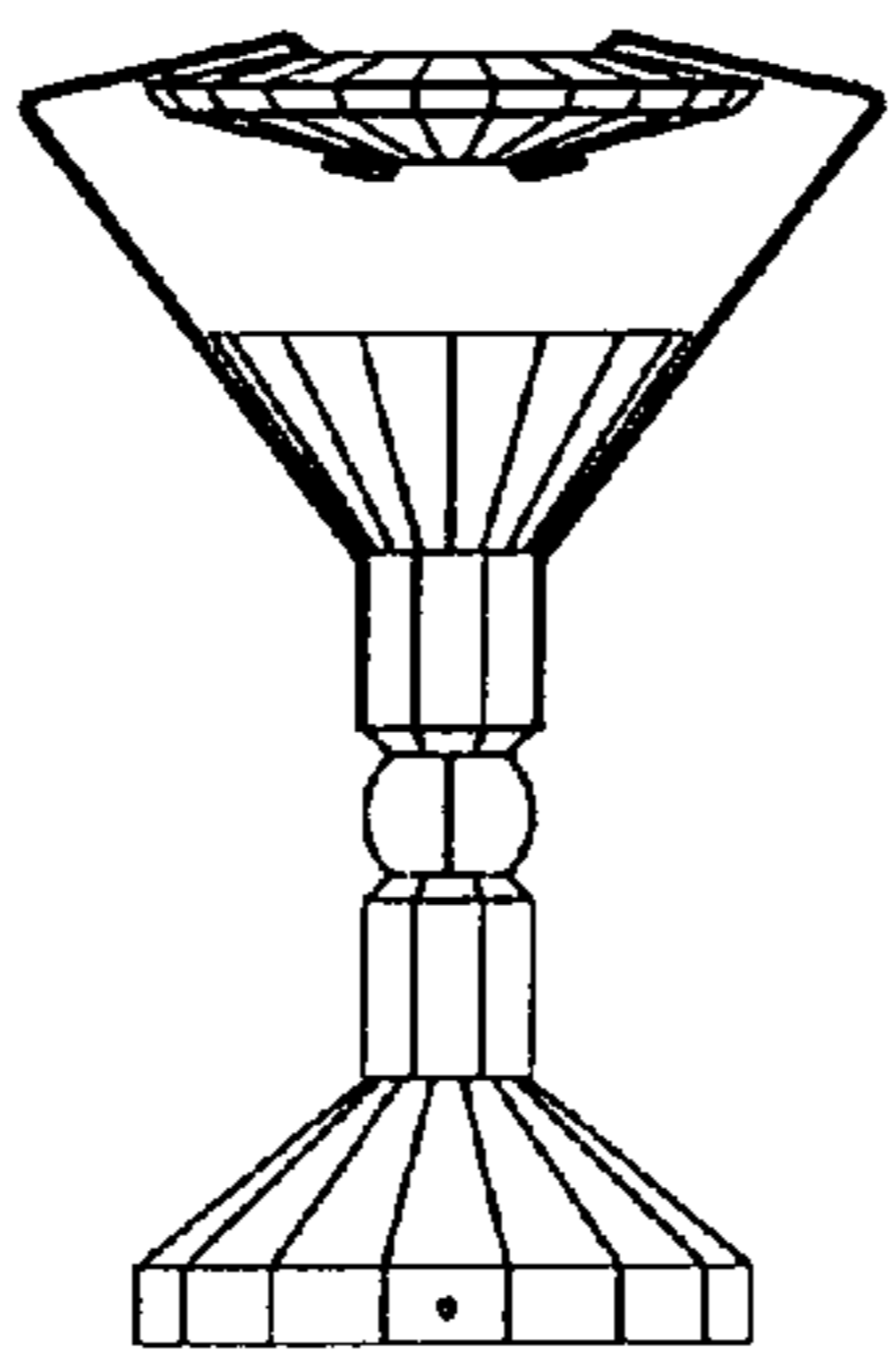


Fig. 6

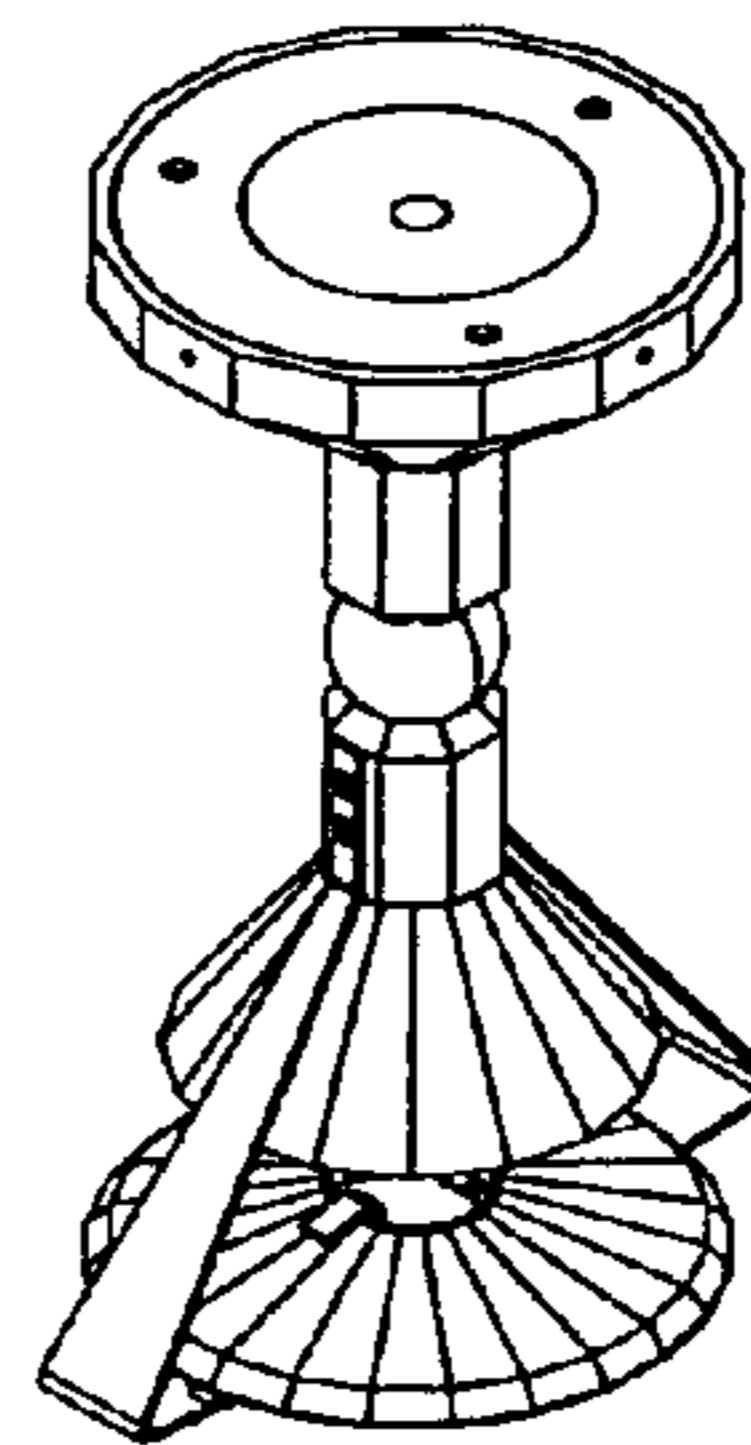


Fig. 7

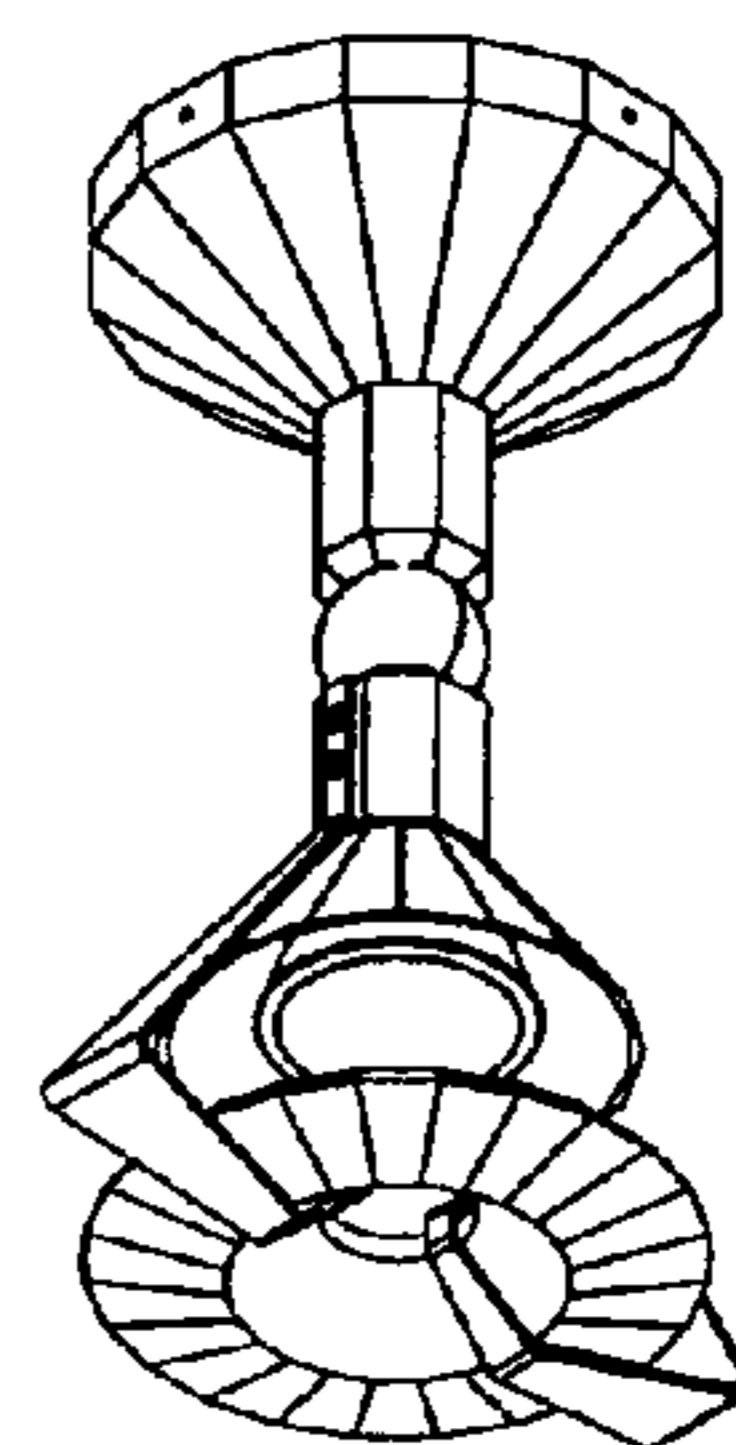


Fig. 8

Fig. 9

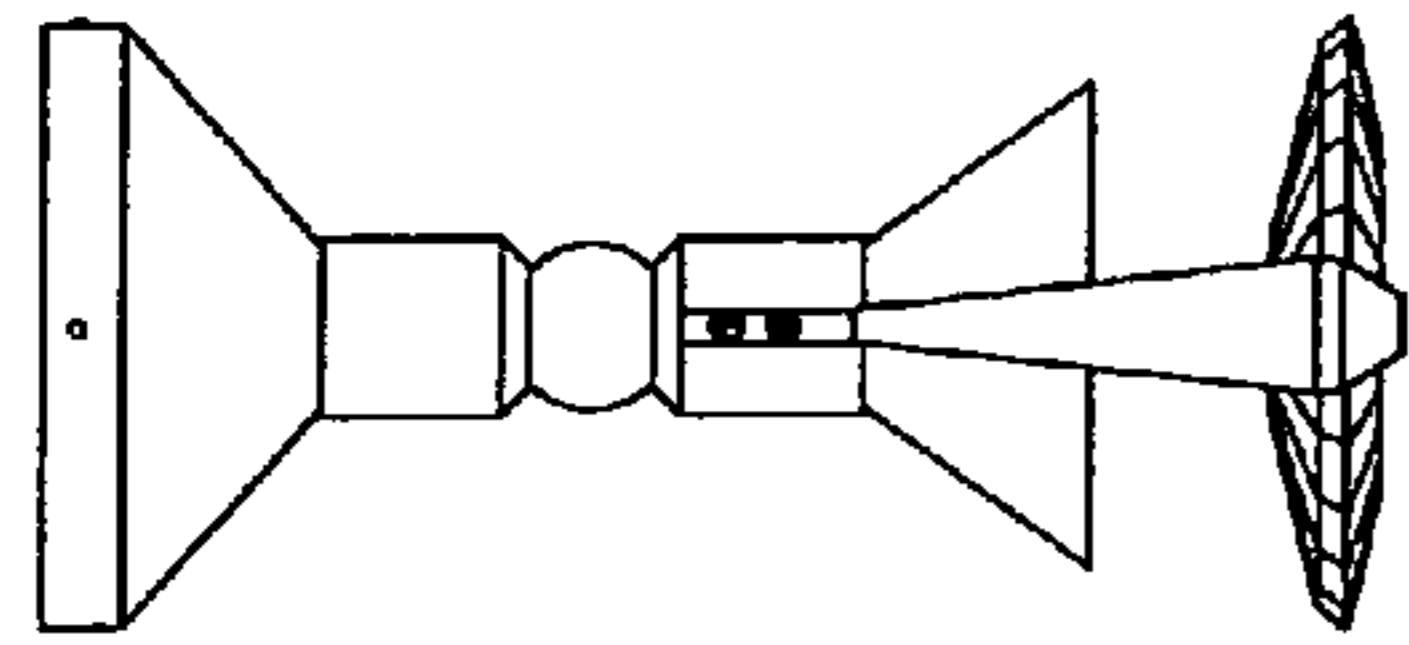
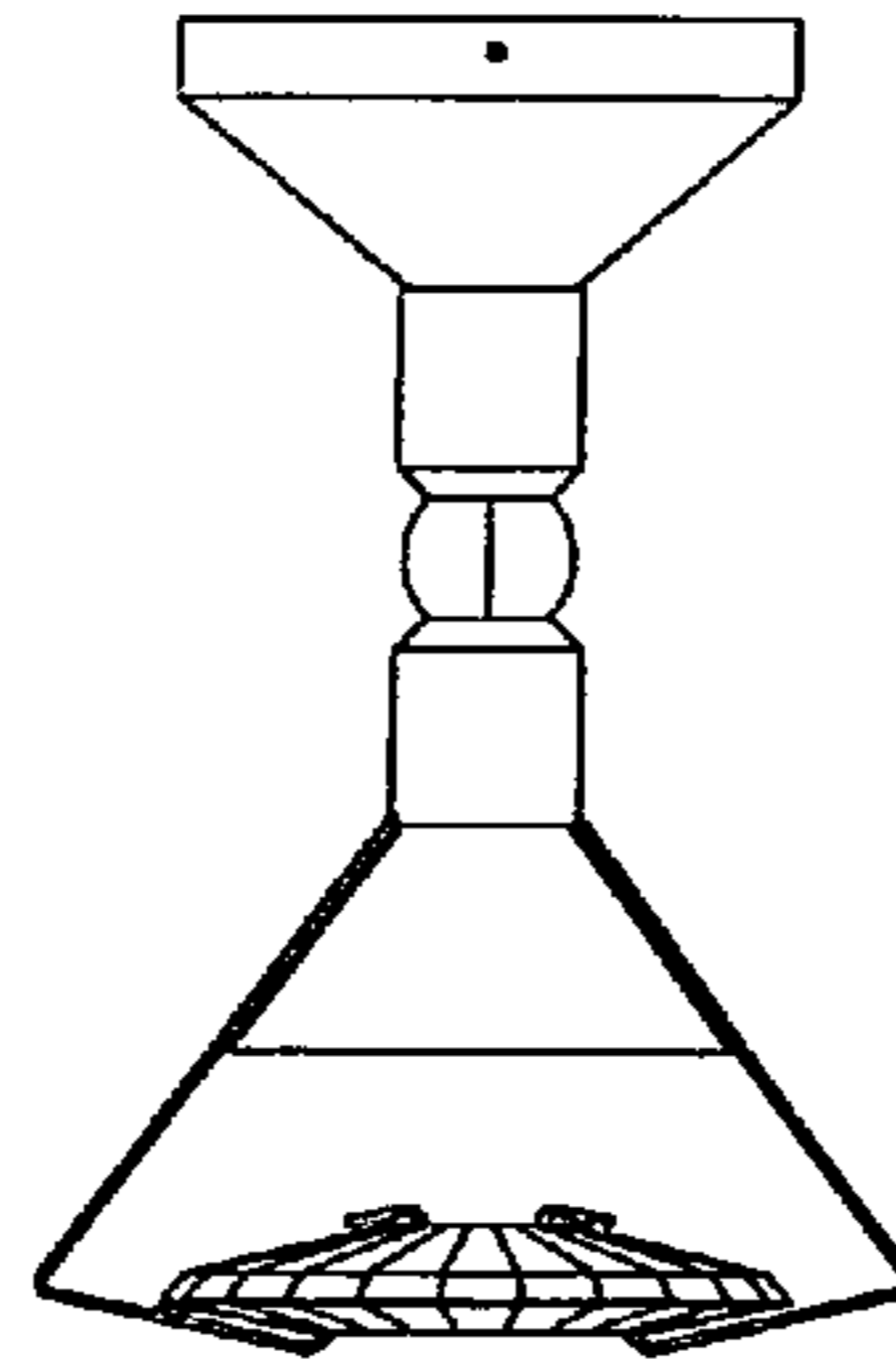


Fig. 10

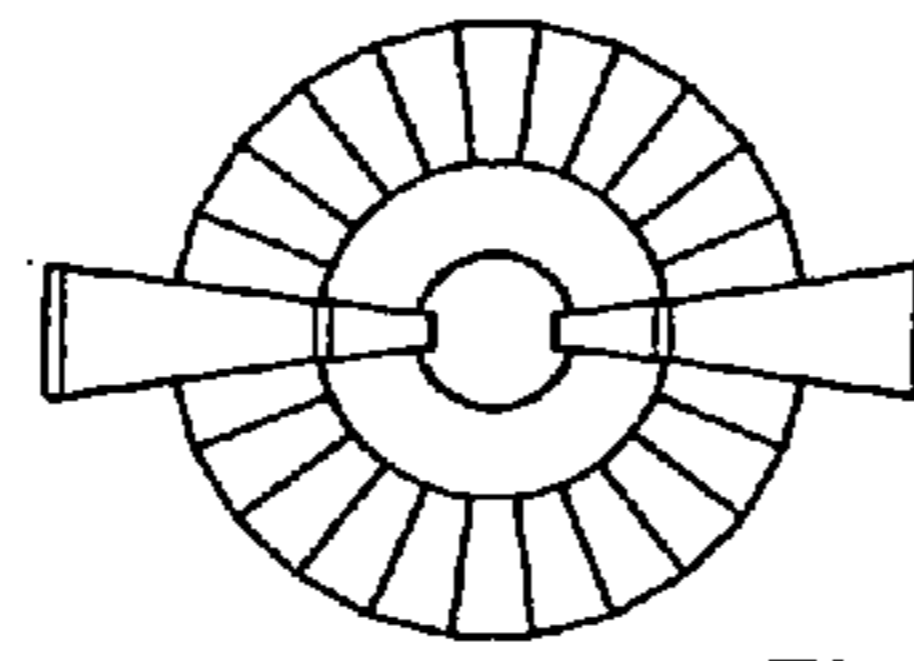


Fig. 11

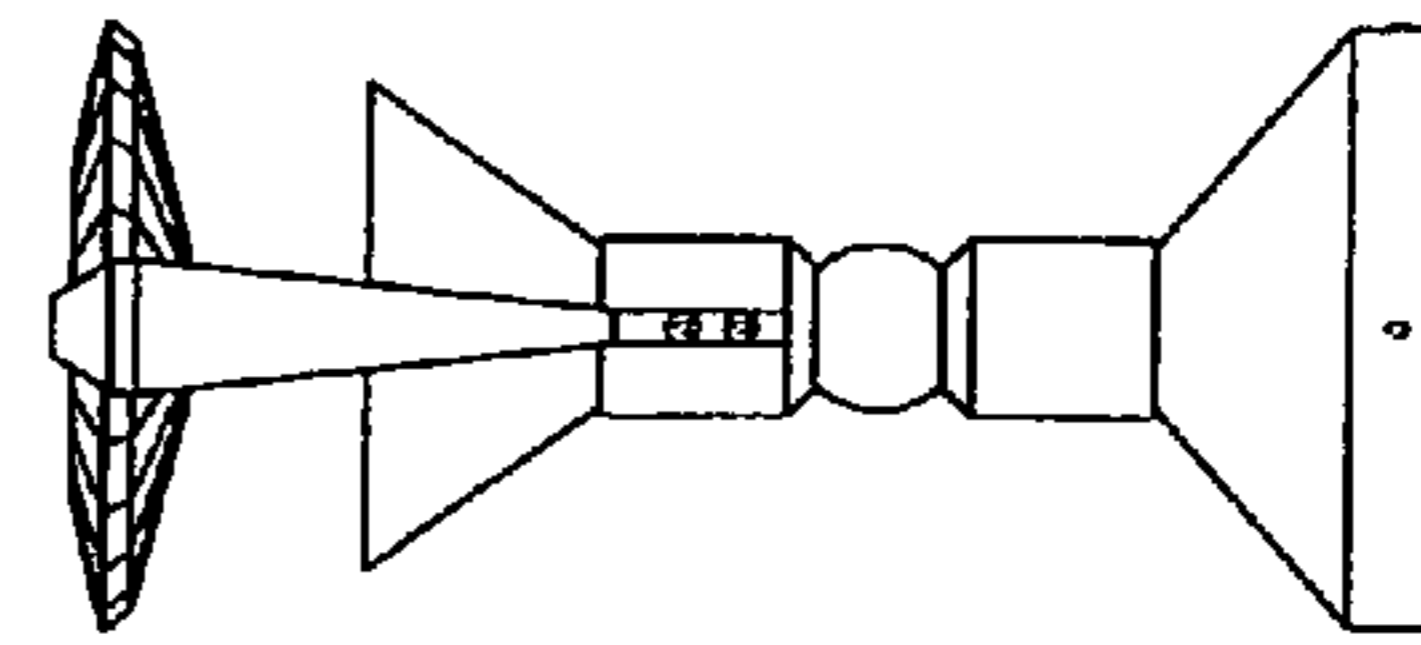


Fig. 12

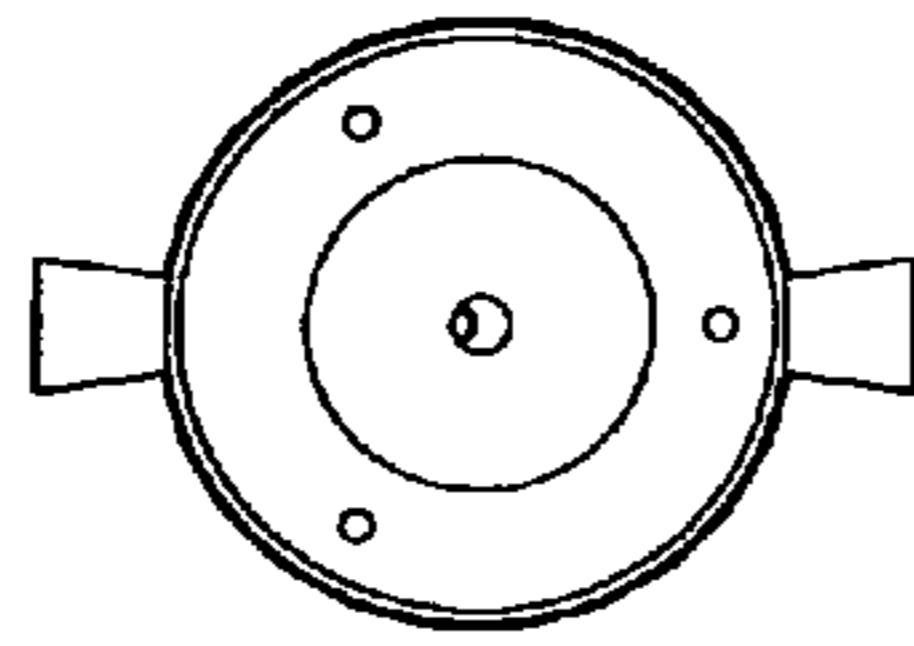


Fig. 13

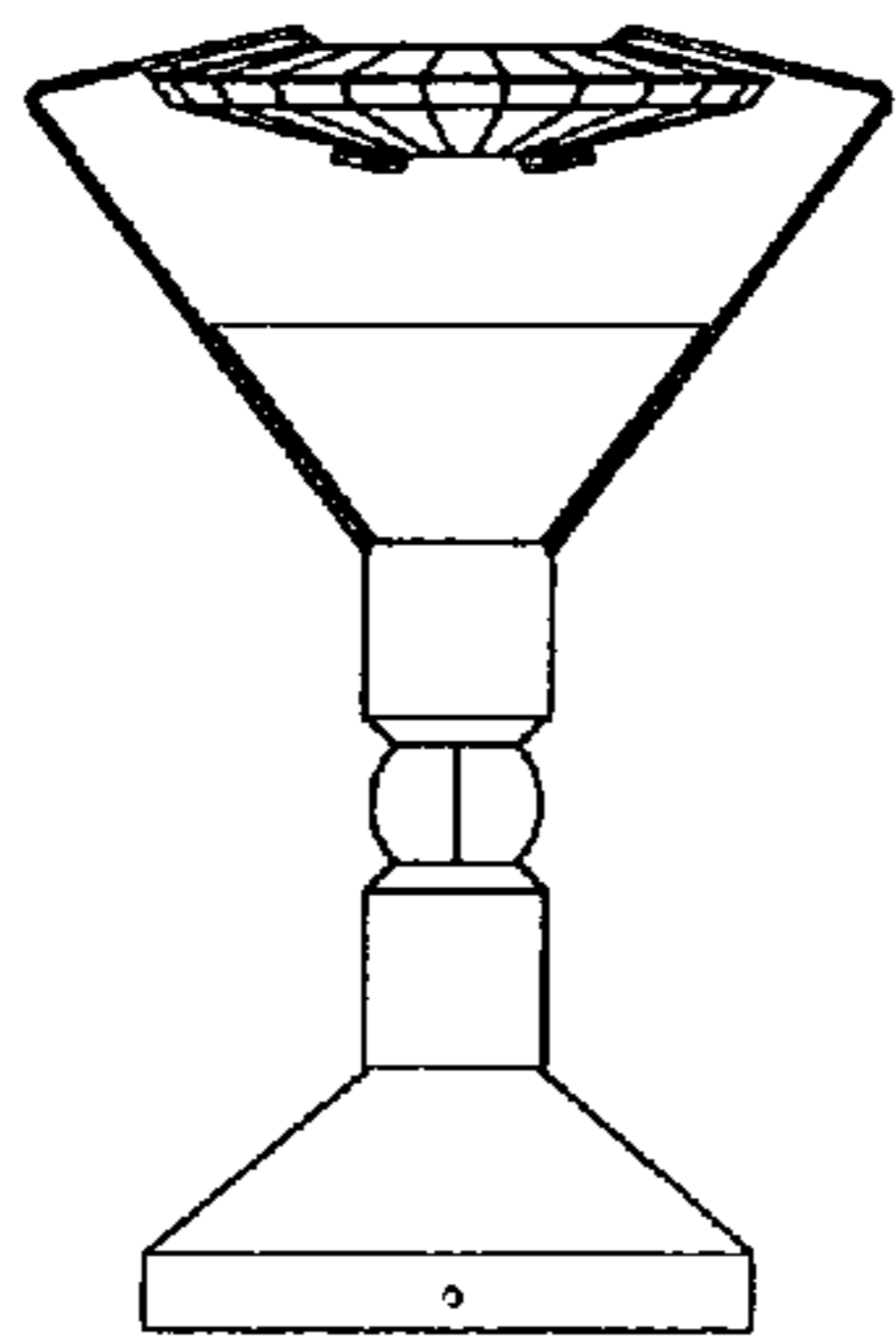


Fig. 14

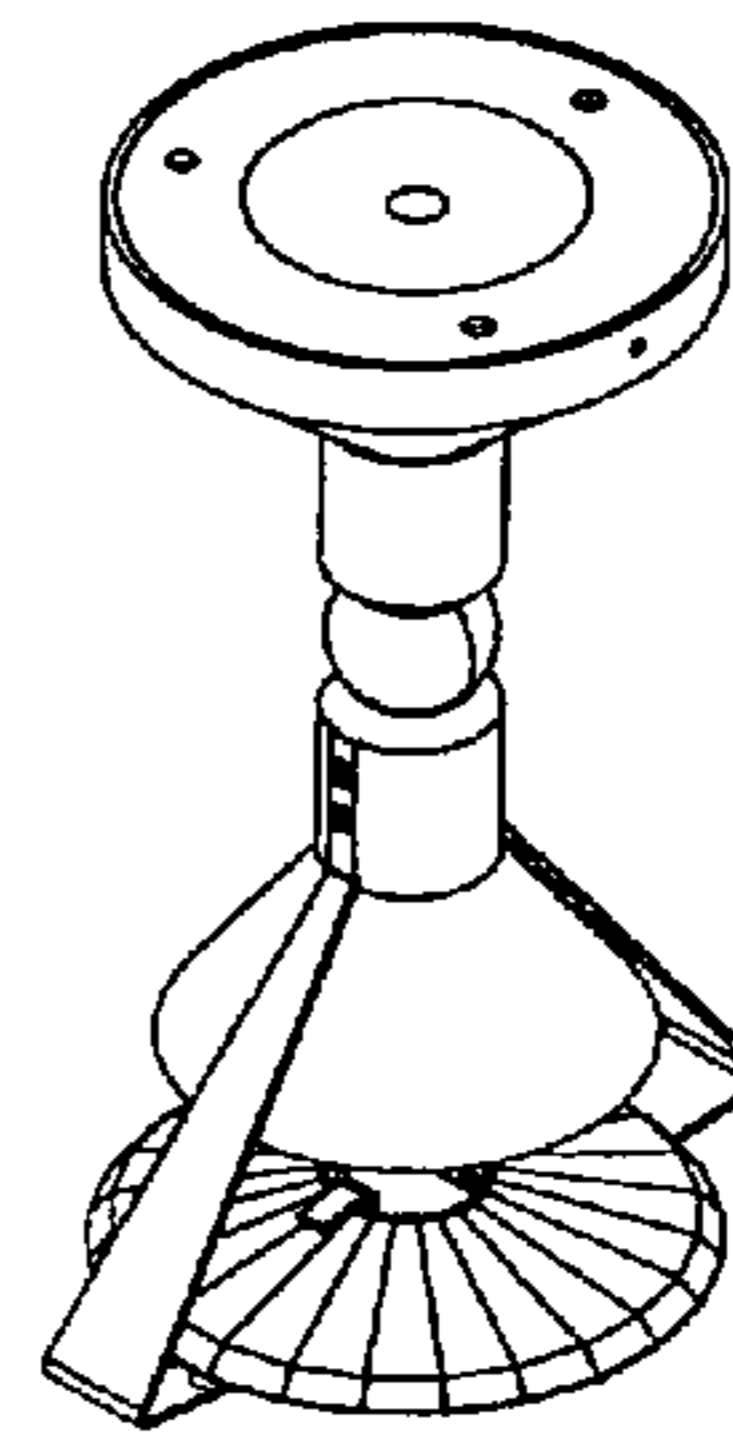


Fig. 15

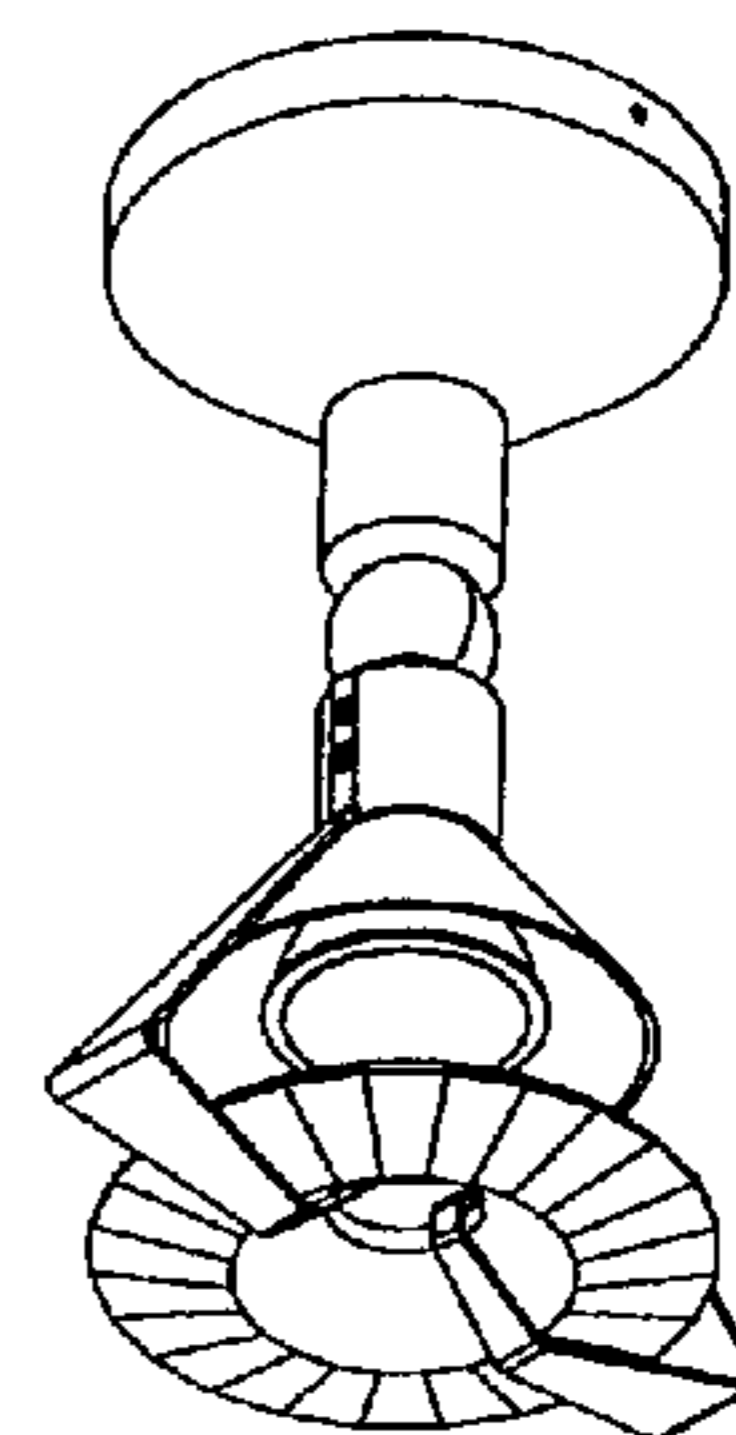


Fig. 16