

US00D570525S

(12) **United States Design Patent**
Morin

(10) **Patent No.:** **US D570,525 S**

(45) **Date of Patent:** **** Jun. 3, 2008**

(54) **LIGHTING FIXTURE**

(75) Inventor: **Francine Morin**, Delta (CA)

(73) Assignee: **The L.D. Kichler Co.**, Cleveland, OH (US)

(**) Term: **14 Years**

(21) Appl. No.: **29/298,635**

(22) Filed: **Dec. 10, 2007**

Related U.S. Application Data

(62) Division of application No. 29/268,178, filed on Oct. 31, 2006.

(51) **LOC (8) Cl.** **26-03**

(52) **U.S. Cl.** **D26/87; D26/92**

(58) **Field of Classification Search** D26/67-71,
D26/85, 87, 92, 118; 362/147, 431, 432,
362/806, 183

See application file for complete search history.

(56) **References Cited**

U.S. PATENT DOCUMENTS

3,521,048	A	*	7/1970	Fowler	362/431
D254,875	S	*	4/1980	Stekelberg	D26/85
D403,797	S	*	1/1999	Von Kluck	D26/87
D464,766	S	*	10/2002	De'Armond et al.	D26/87
D465,296	S	*	11/2002	DiPasquale	D26/67
D500,570	S	*	1/2005	Tsai	D26/87
D519,670	S	*	4/2006	Sheng	D26/92
D530,035	S	*	10/2006	Wen	D26/67

D535,427	S	*	1/2007	Chandler	D26/87
D541,974	S	*	5/2007	Yuan	D26/87
D550,891	S	*	9/2007	Miranda	D26/85

OTHER PUBLICATIONS

Lighting Fixture photograph from antique magazine/catalog, date unknown, however prior to the filing date of this application U.S. Appl. No. 29/298,635.

* cited by examiner

Primary Examiner—Clare E Heflin

(74) *Attorney, Agent, or Firm*—Calfee, Halter & Griswold LLP

(57) **CLAIM**

I claim the ornamental design for a lighting fixture, as shown and described.

DESCRIPTION

FIG. 1 is a top/left/front isometric view of the lighting fixture.

FIG. 2 is a front elevational view of the lighting fixture.

FIG. 3 is a rear elevational view of the lighting fixture.

FIG. 4 is a left side elevational view of the lighting fixture.

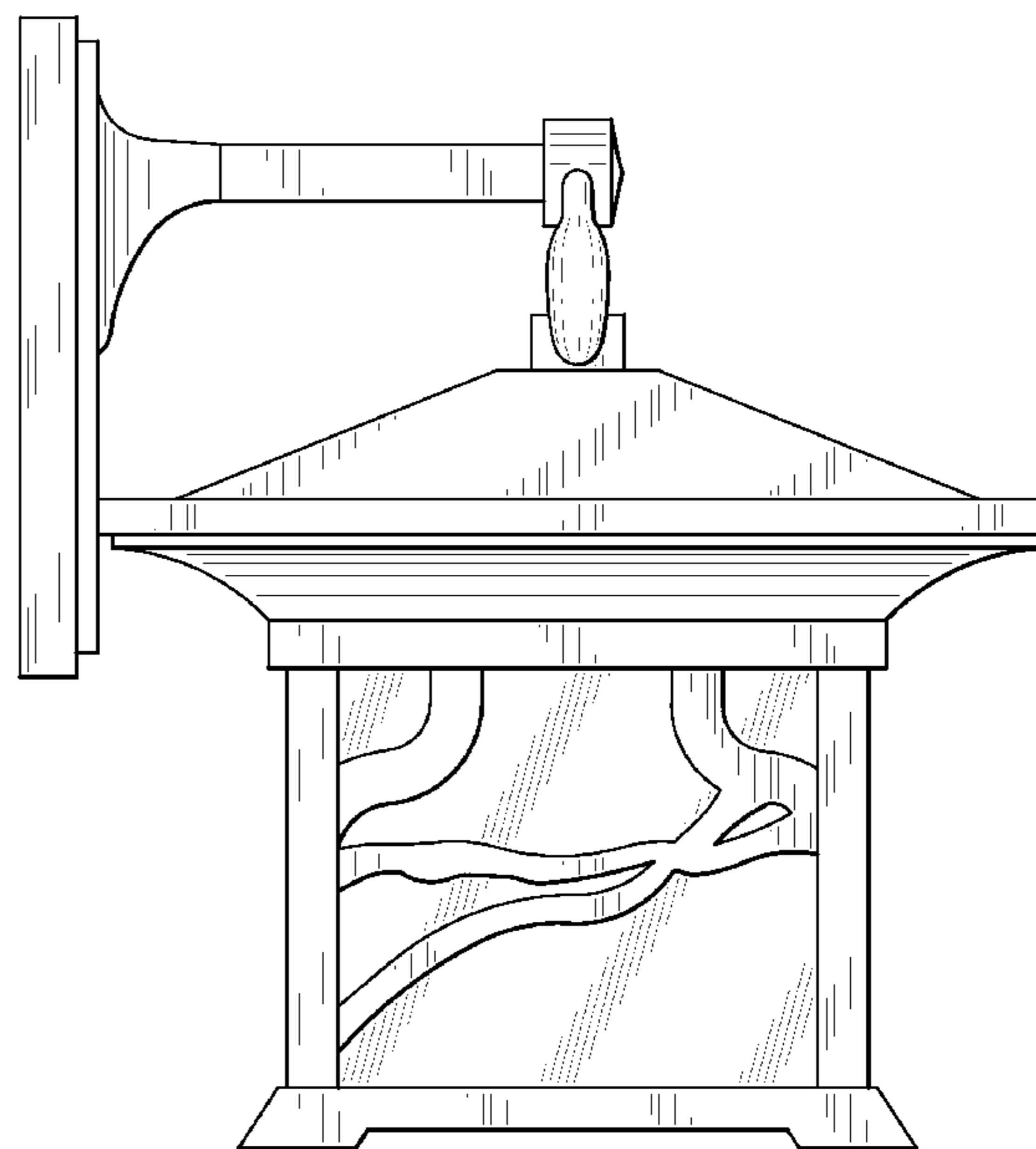
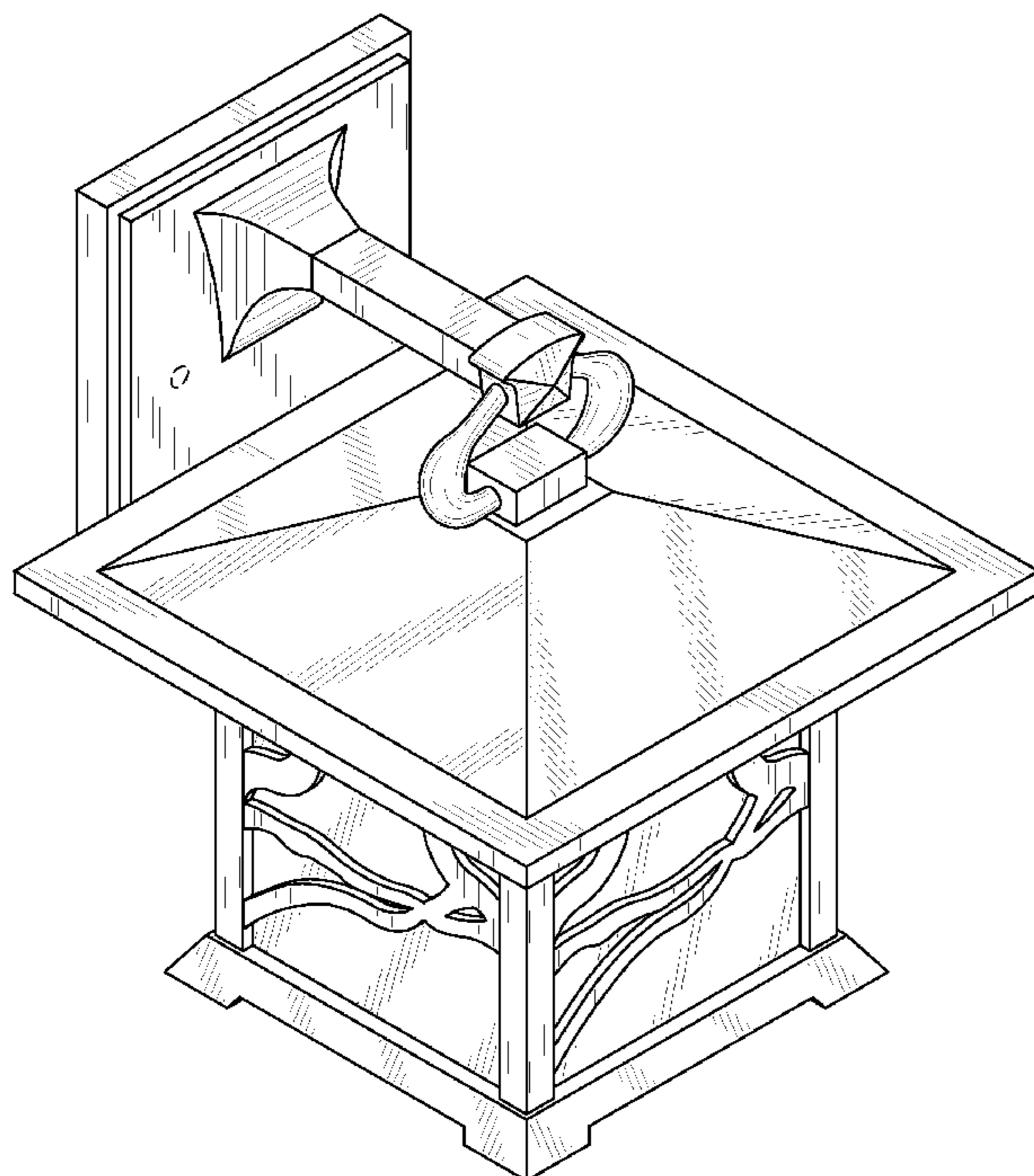
FIG. 5 is a right side elevational view of the lighting fixture.

FIG. 6 is a top plan view of the lighting fixture; and,

FIG. 7 is a bottom plan view of the lighting fixture.

The broken lines form no part of the claimed design.

1 Claim, 7 Drawing Sheets



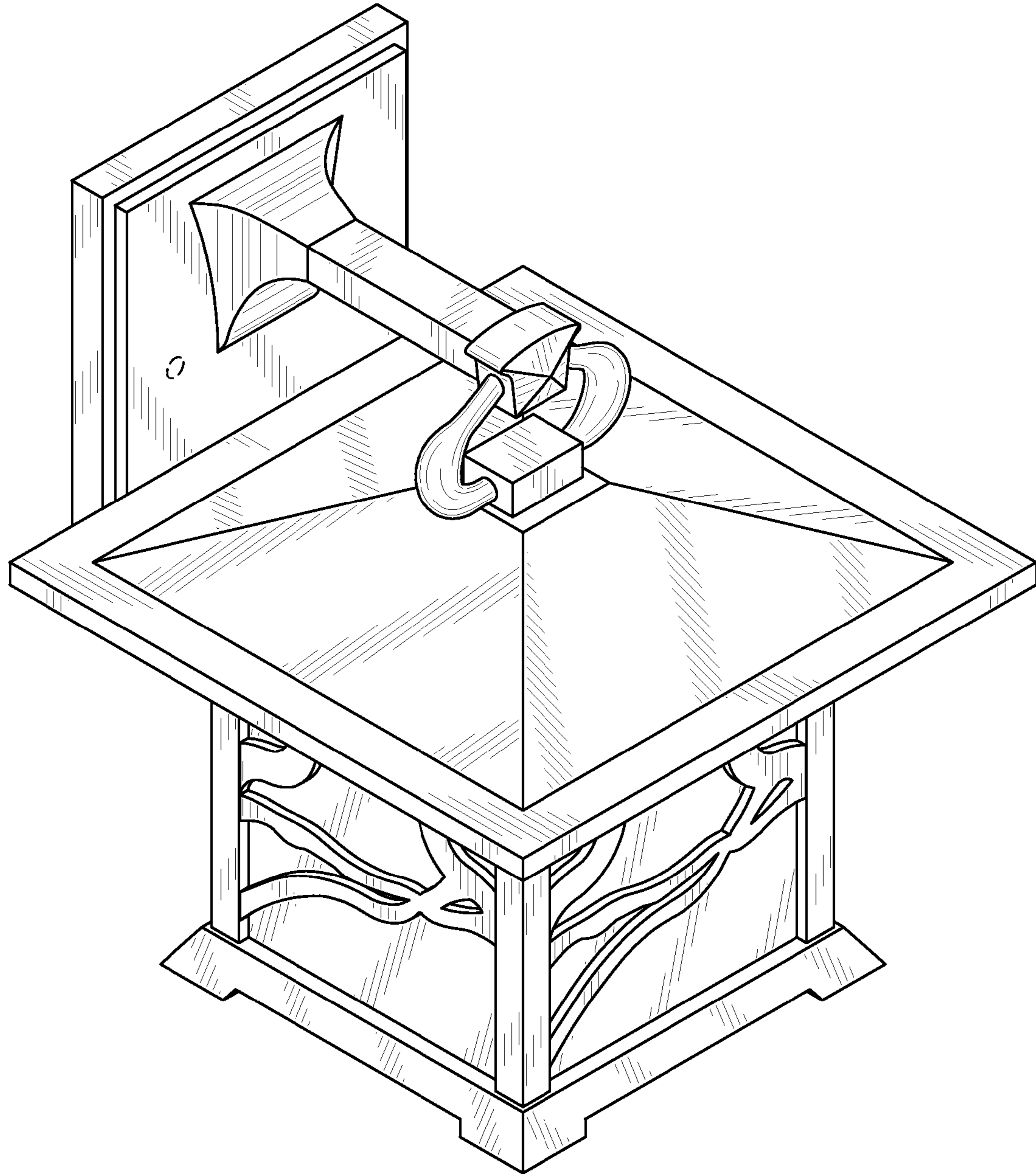


FIG. 1

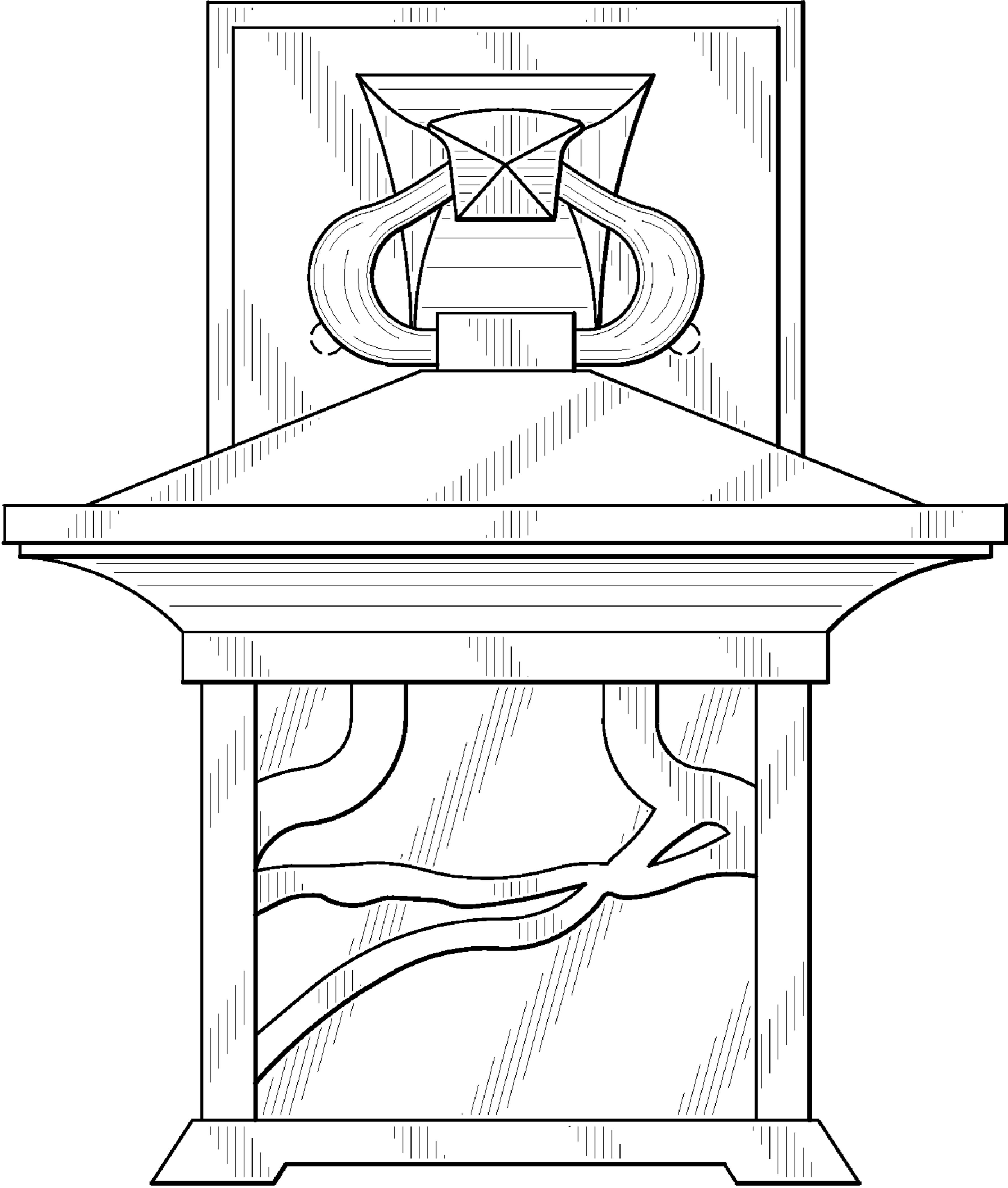


FIG. 2

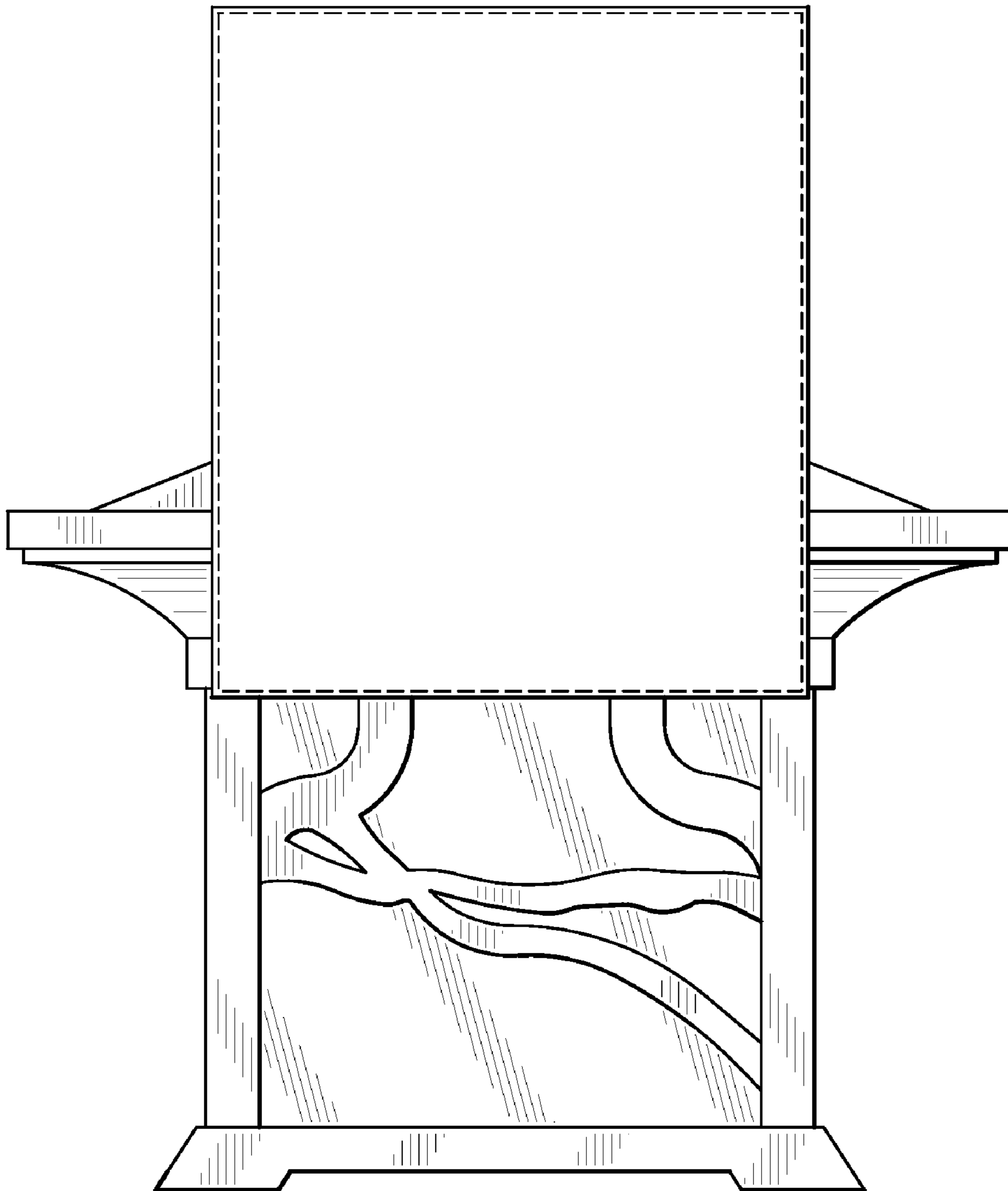


FIG. 3

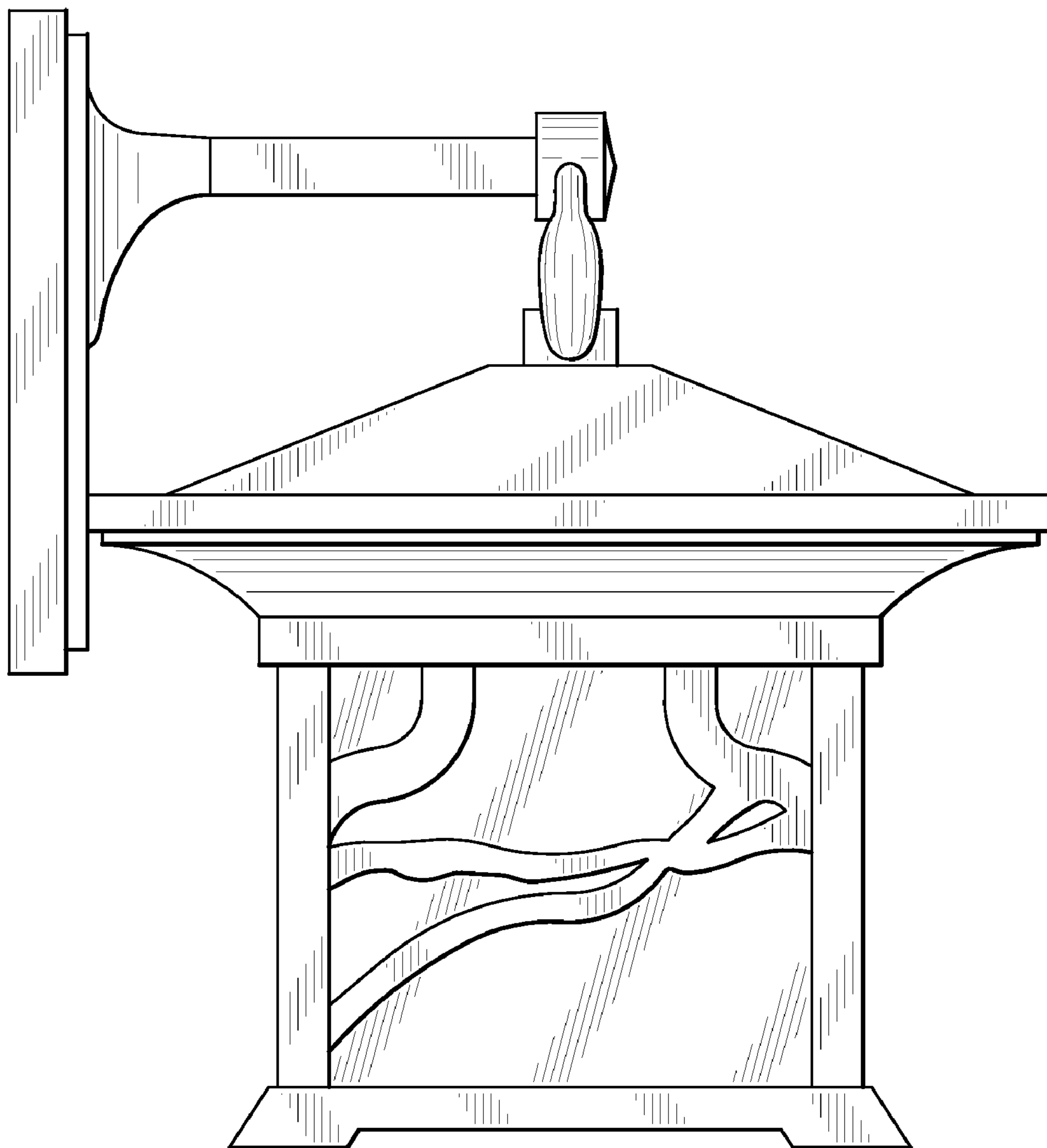


FIG. 4

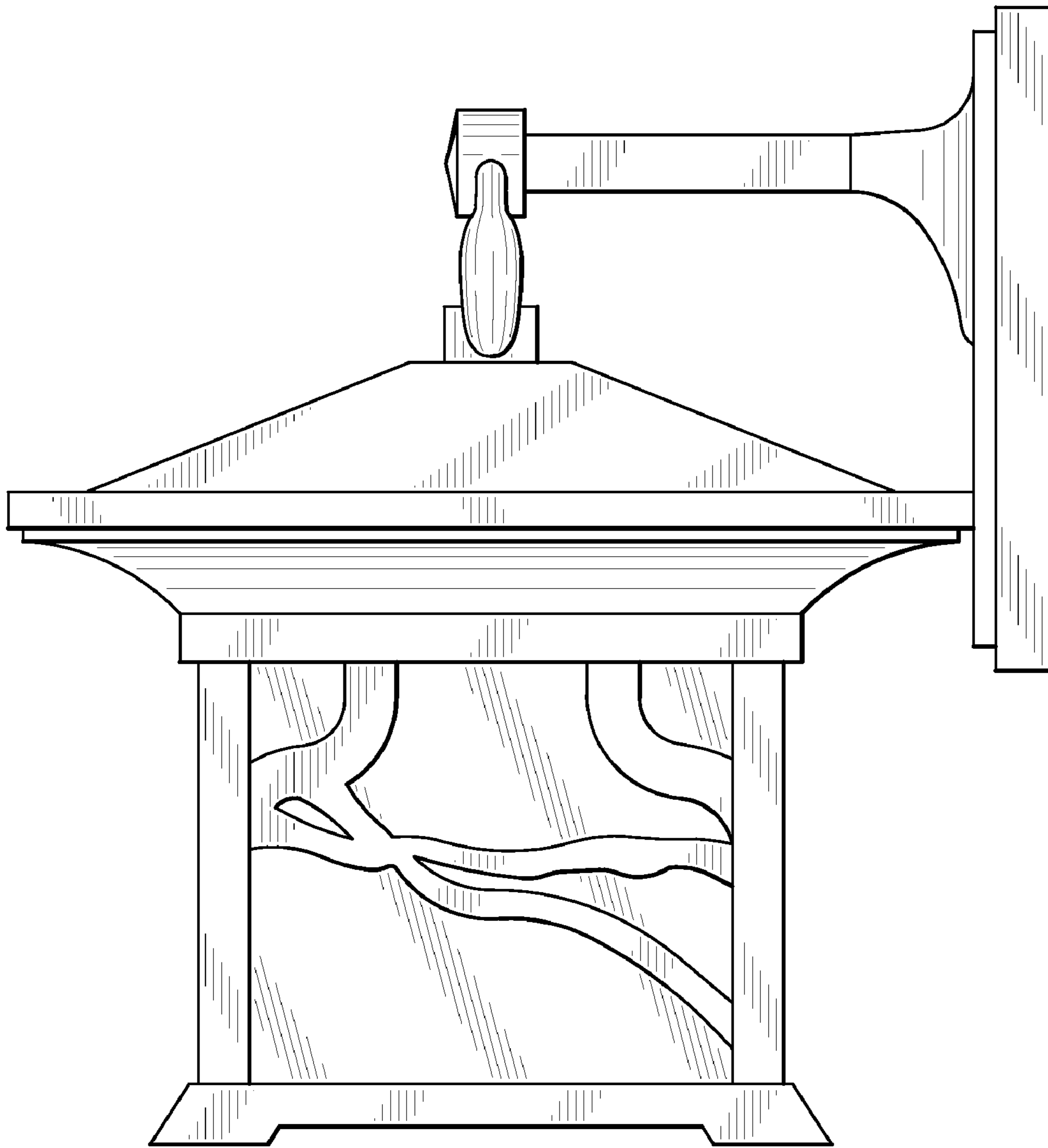


FIG. 5

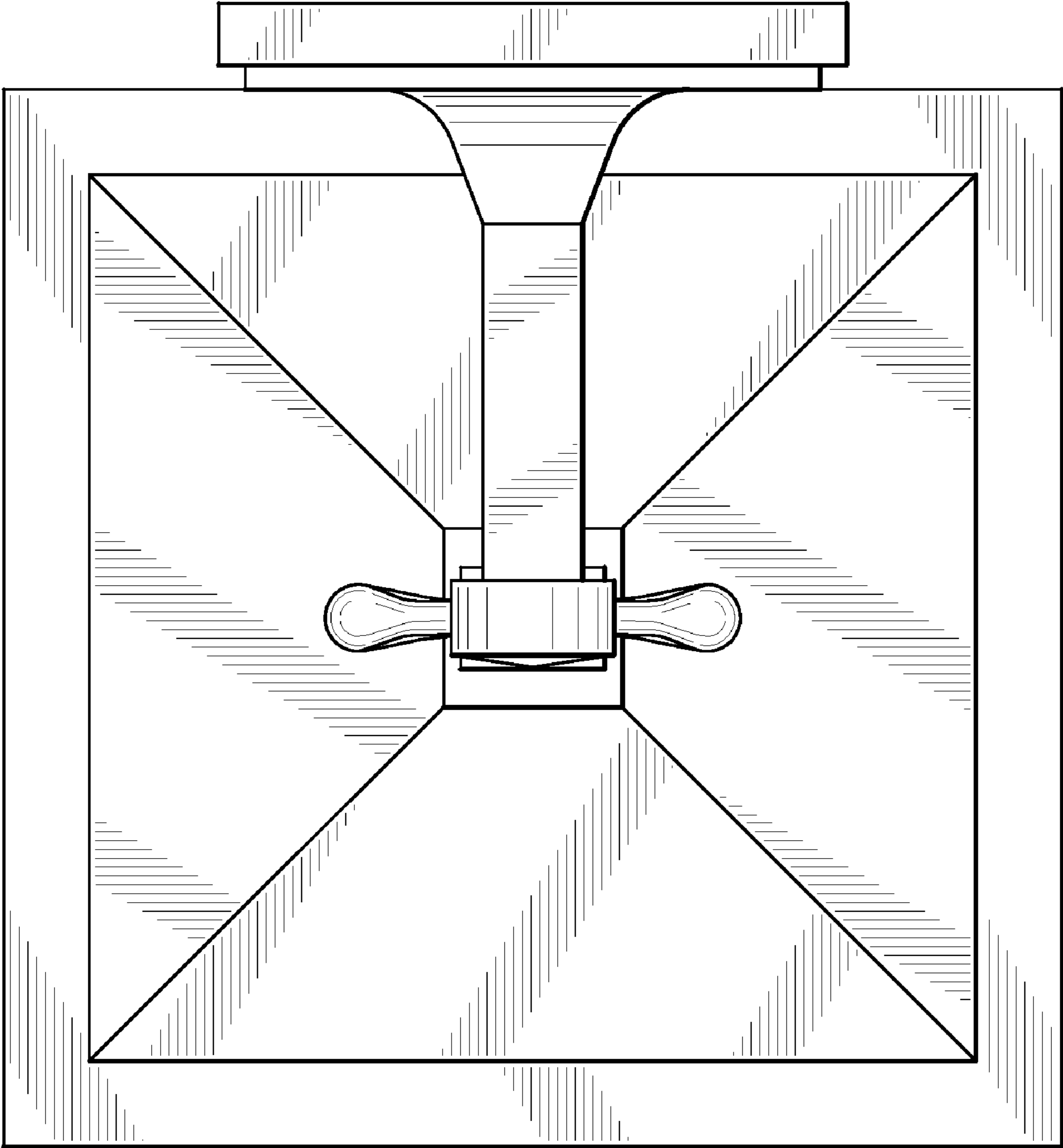


FIG. 6

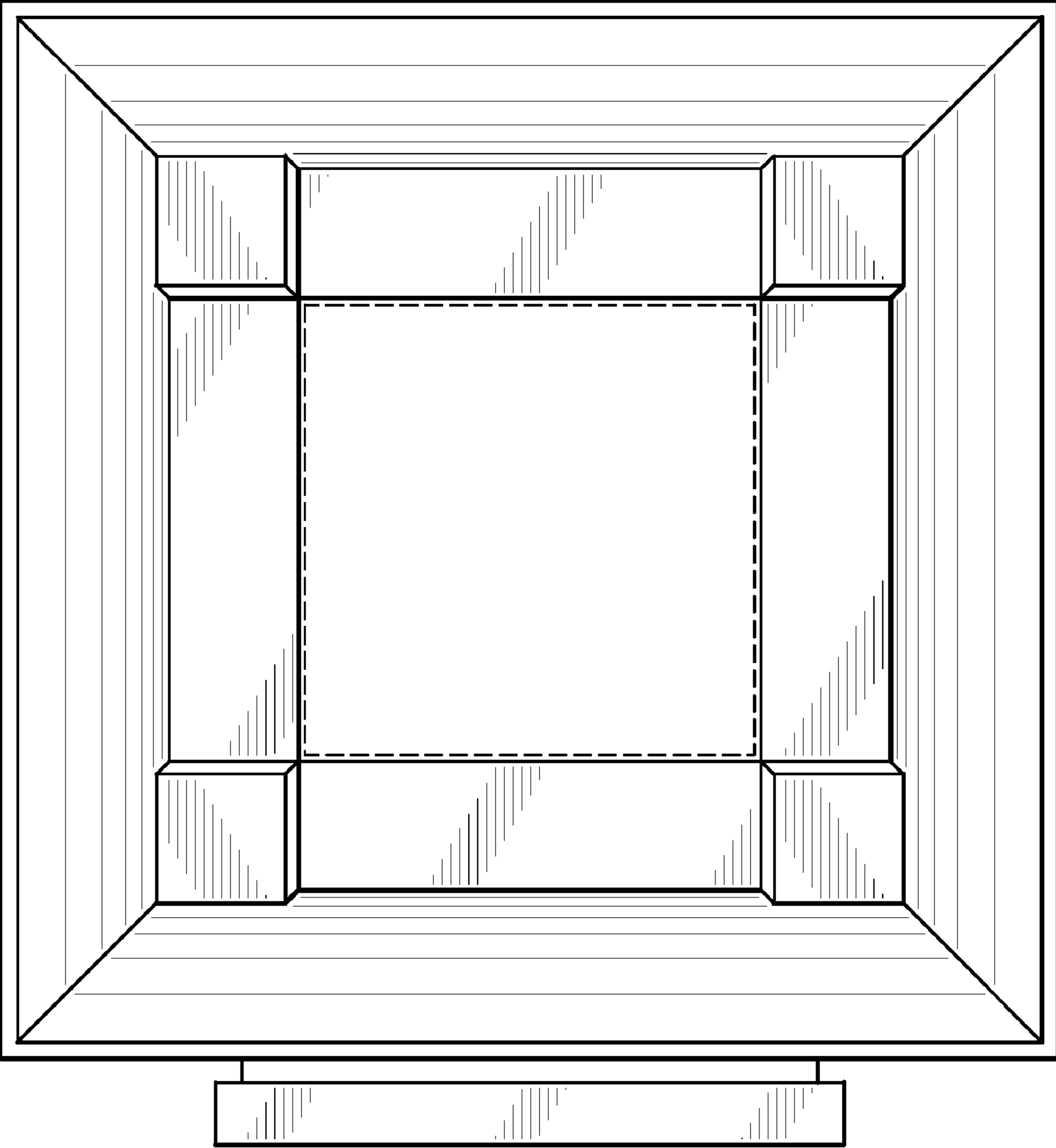


FIG. 7