

US00D570523S

(12) **United States Design Patent**
Porter

(10) **Patent No.:** **US D570,523 S**

(45) **Date of Patent:** **** Jun. 3, 2008**

(54) **LIGHTING FIXTURE**

D430,326 S * 8/2000 Littman D26/85
D482,486 S * 11/2003 Demers D26/85

(75) Inventor: **David H. Porter**, Monticello, WI (US)

* cited by examiner

(73) Assignee: **The L.D. Kichler Co.**, Cleveland, OH (US)

Primary Examiner—Clare E Heflin

(**) Term: **14 Years**

(74) *Attorney, Agent, or Firm*—Calfee, Halter & Griswold LLP

(21) Appl. No.: **29/291,719**

(57) **CLAIM**

(22) Filed: **Sep. 12, 2007**

I claim the ornamental design for a lighting fixture, as shown.

Related U.S. Application Data

DESCRIPTION

(60) Division of application No. 29/234,767, filed on Jul. 22, 2005, now Pat. No. Des. 564,123, which is a continuation of application No. 29/153,392, filed on Jan. 7, 2002, now Pat. No. Des. 511,019.

FIGS. 1-7 are phototgraphic views of a lighting fixture (9671NI).

(51) **LOC (8) Cl.** **26-03**

FIG. 1 is an isometric view of the lighting fixture.

(52) **U.S. Cl.** **D26/85**

FIG. 2 is a left side view of the lighting fixture, taken slightly off-center.

(58) **Field of Classification Search** D26/72, D26/85-92, 119; 362/147, 432

FIG. 3 is a right side view of the lighting fixture, taken slightly off-center.

See application file for complete search history.

FIG. 4 is a front view of the lighting fixture, taken slightly off-center.

(56) **References Cited**

FIG. 5 is a rear view of the lighting fixture, taken slightly off-center.

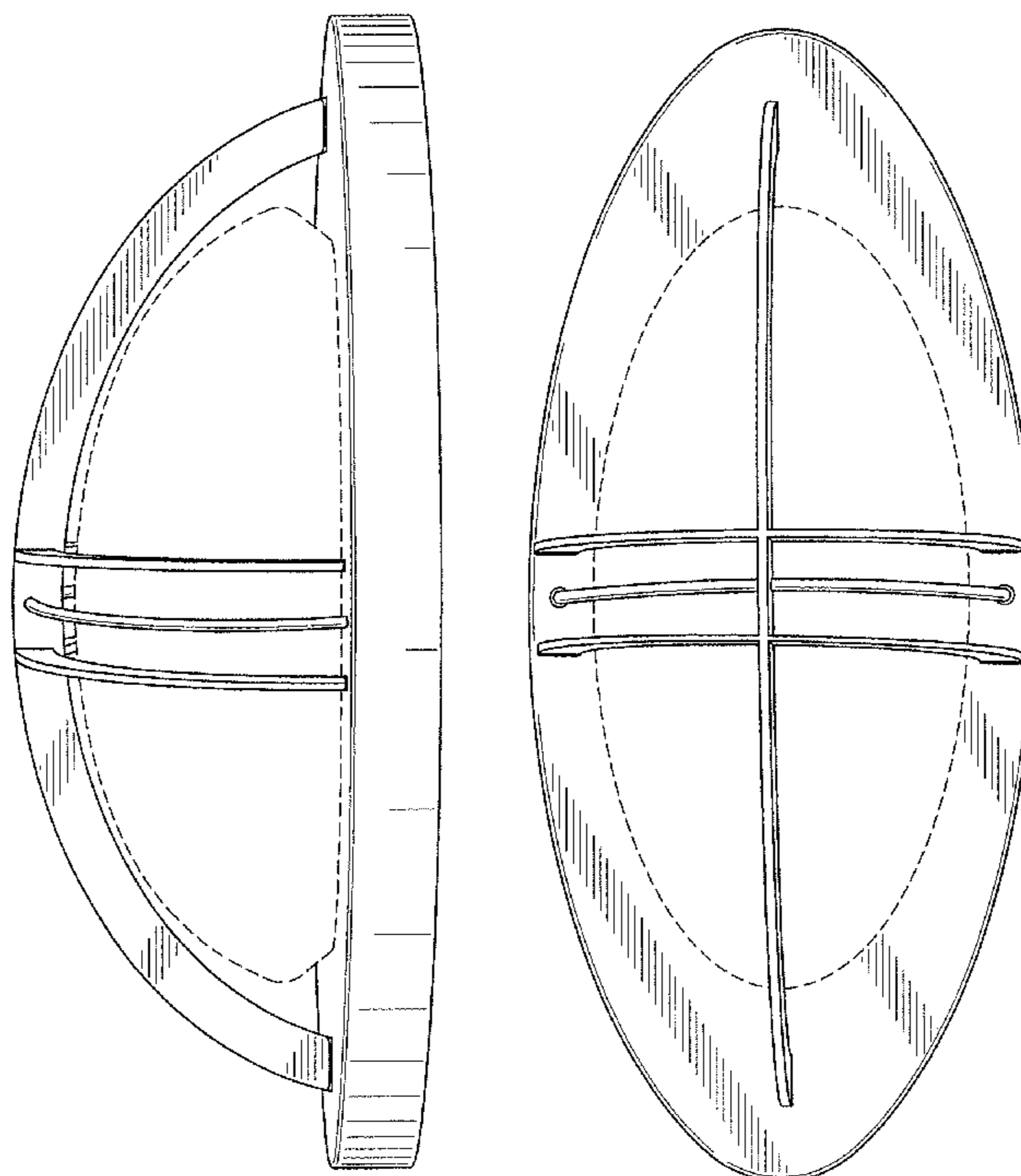
U.S. PATENT DOCUMENTS

D75,869 S * 7/1928 Pfeiffer D26/119
D300,372 S * 3/1989 O'Dohanue et al. D26/85
D342,798 S * 12/1993 Ancona et al. D26/85
D359,373 S * 6/1995 Pagani et al. D26/85
D385,054 S * 10/1997 Landefeld D26/85
D393,092 S * 3/1998 Fiorato D26/85
D398,414 S * 9/1998 Pagliarini D26/85

FIG. 6 is a top view of the lighting fixture, taken slightly off-center; and,

FIG. 7 is a bottom view of the lighting fixture, taken slightly off-center.

1 Claim, 6 Drawing Sheets



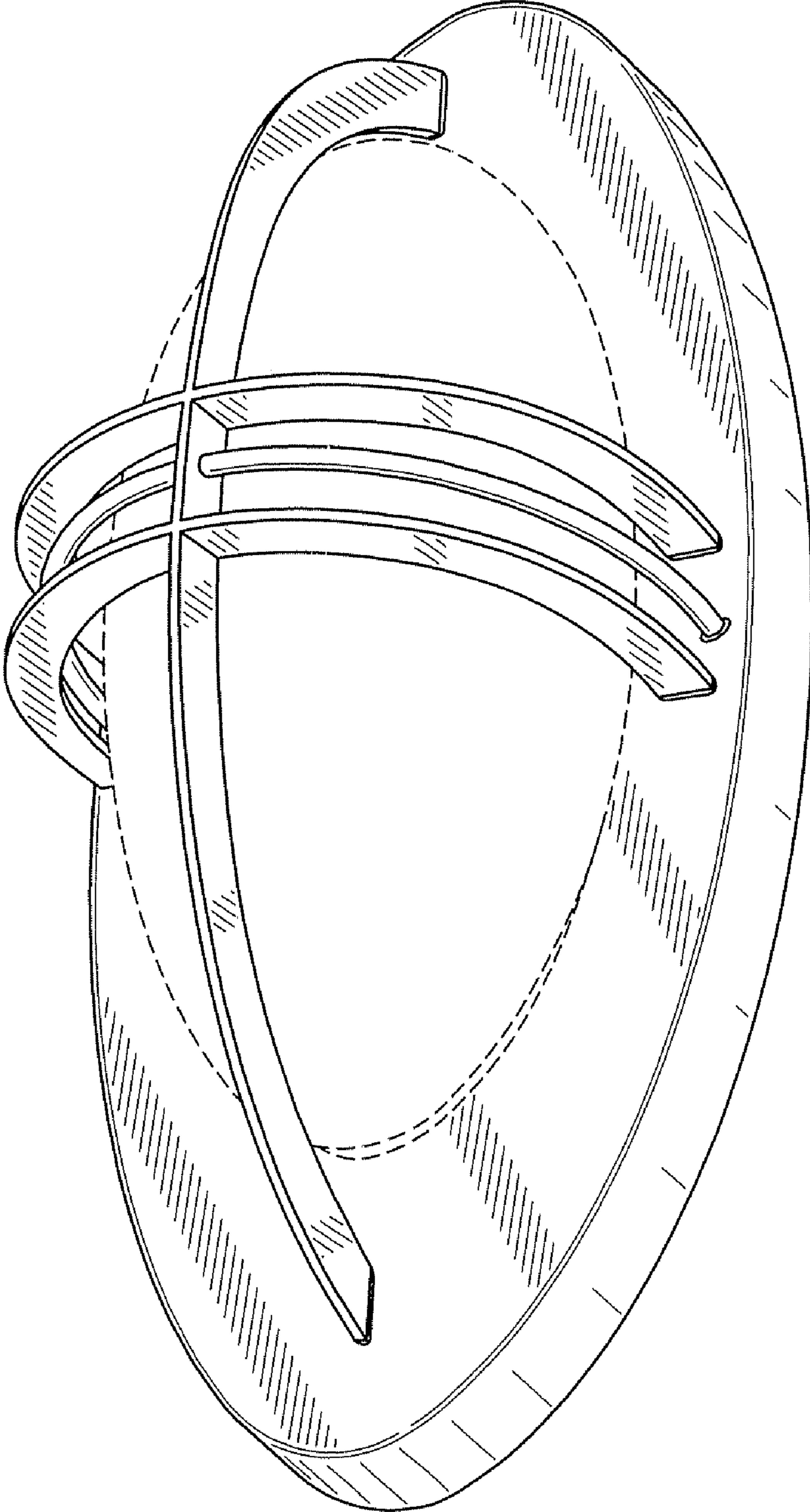


FIG. 1

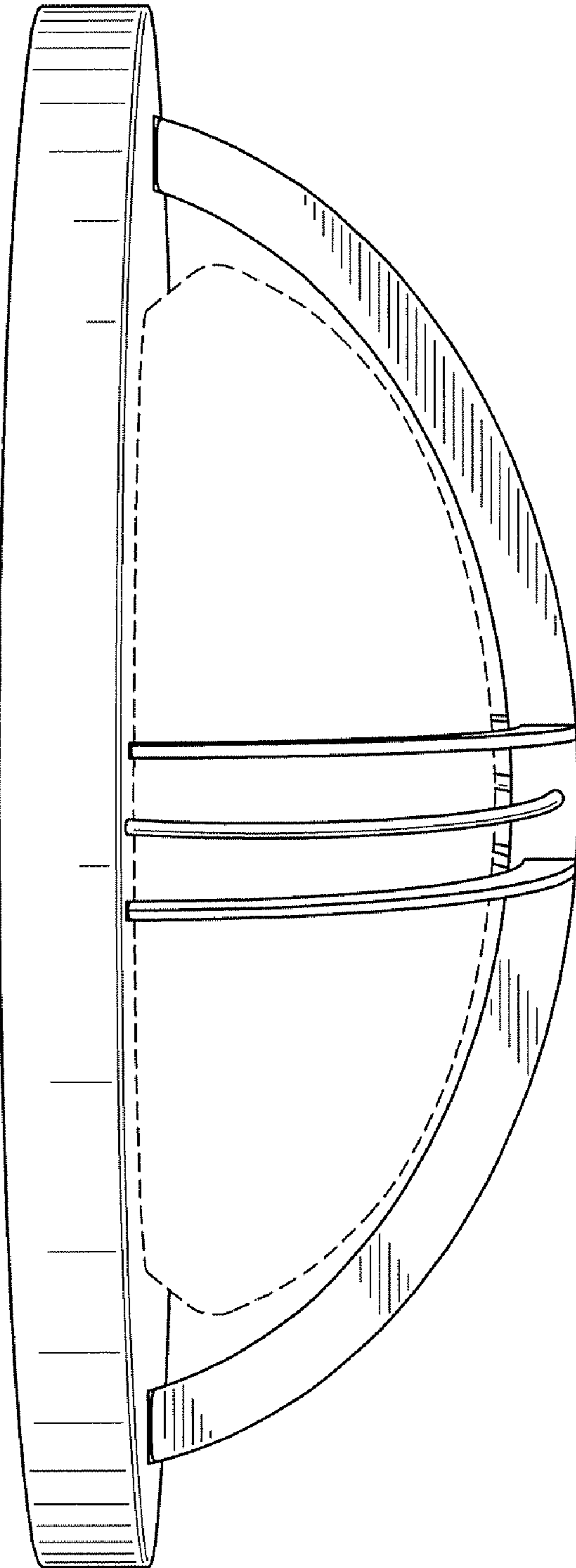


FIG. 2

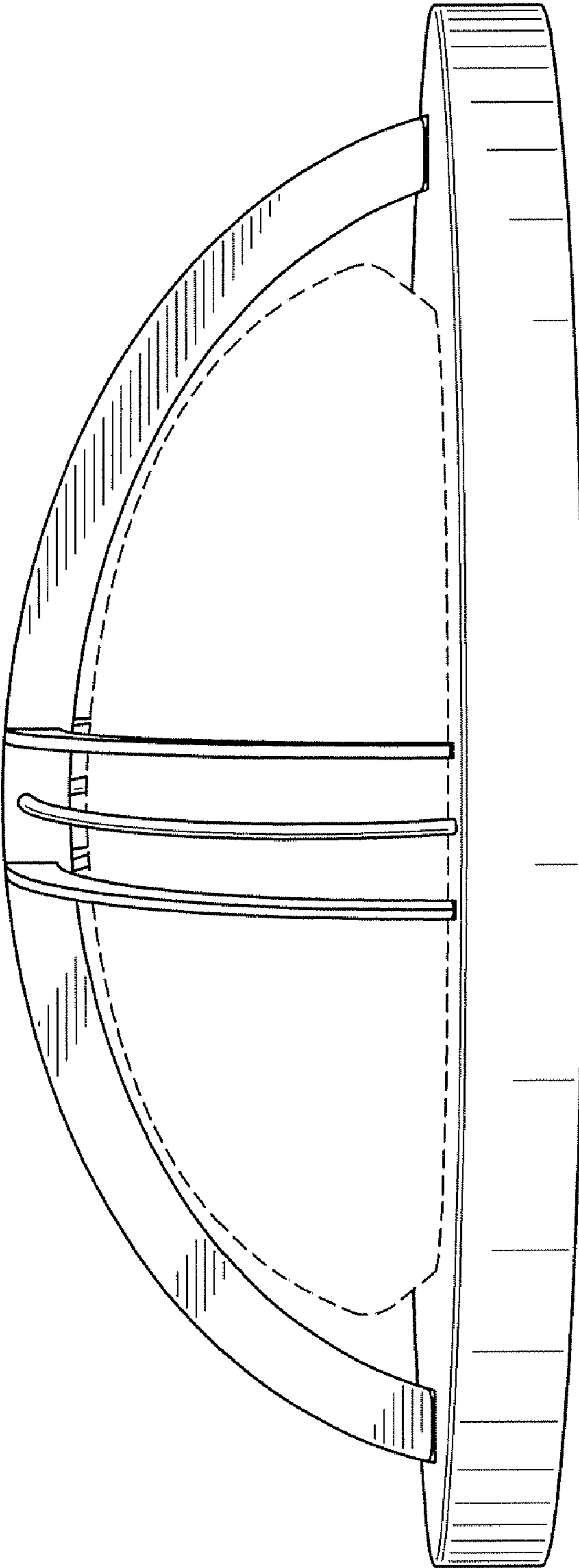


FIG. 3

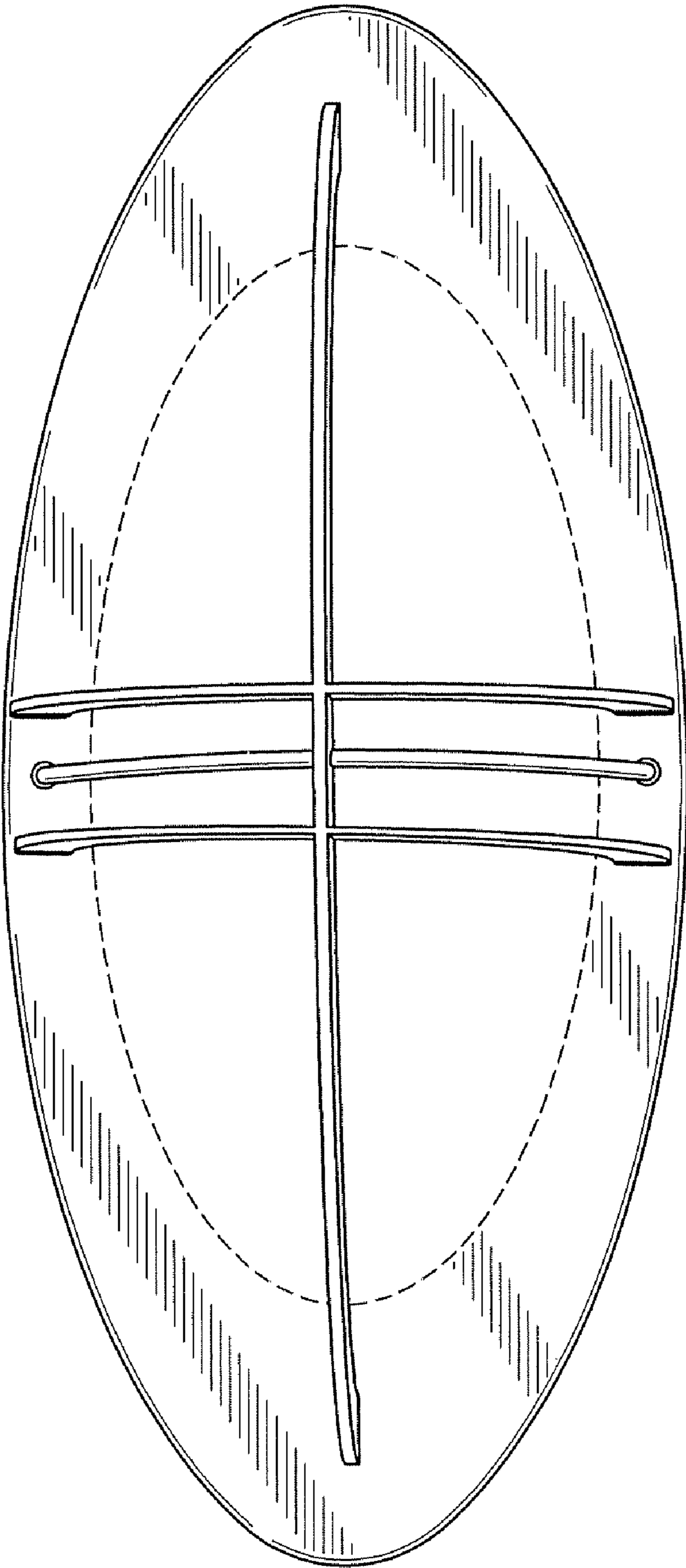


FIG. 4

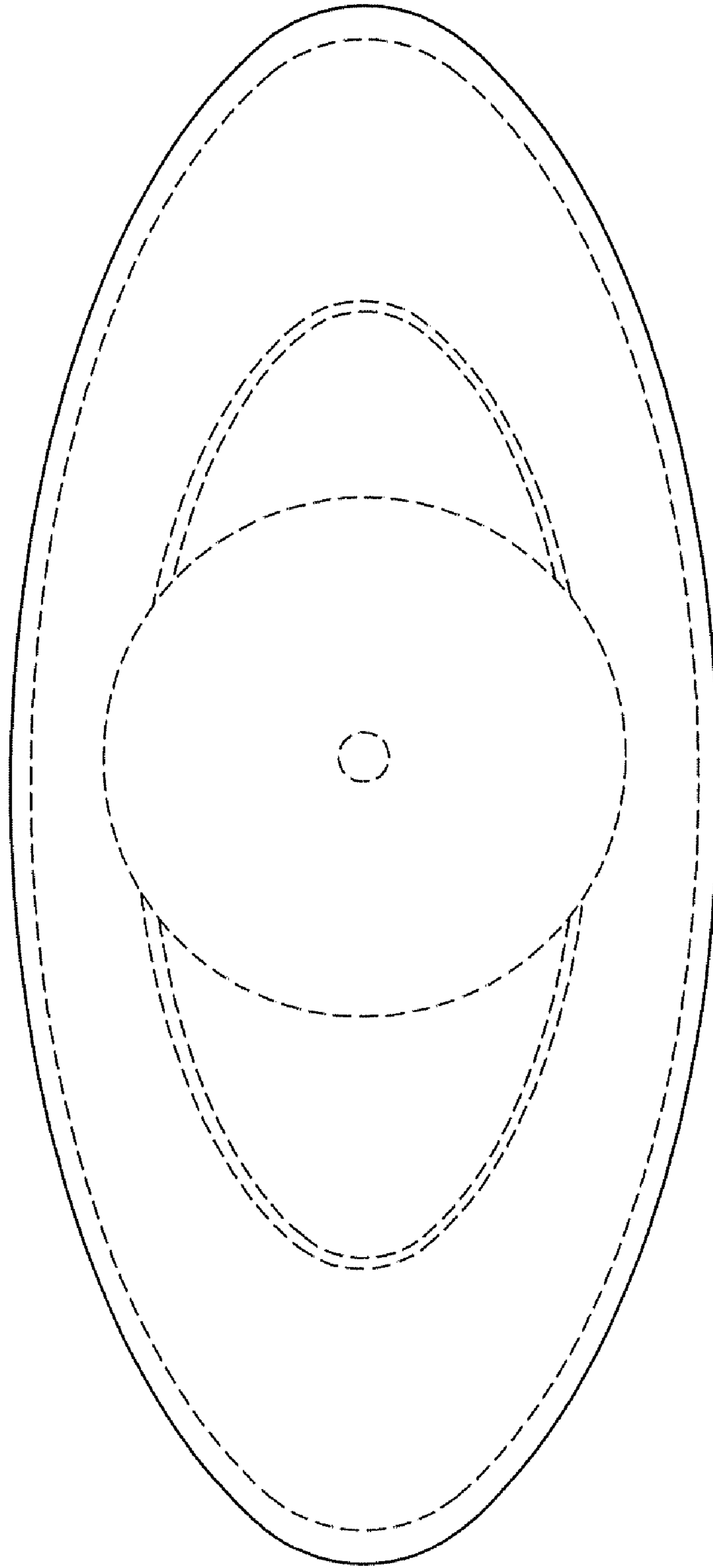


FIG. 5

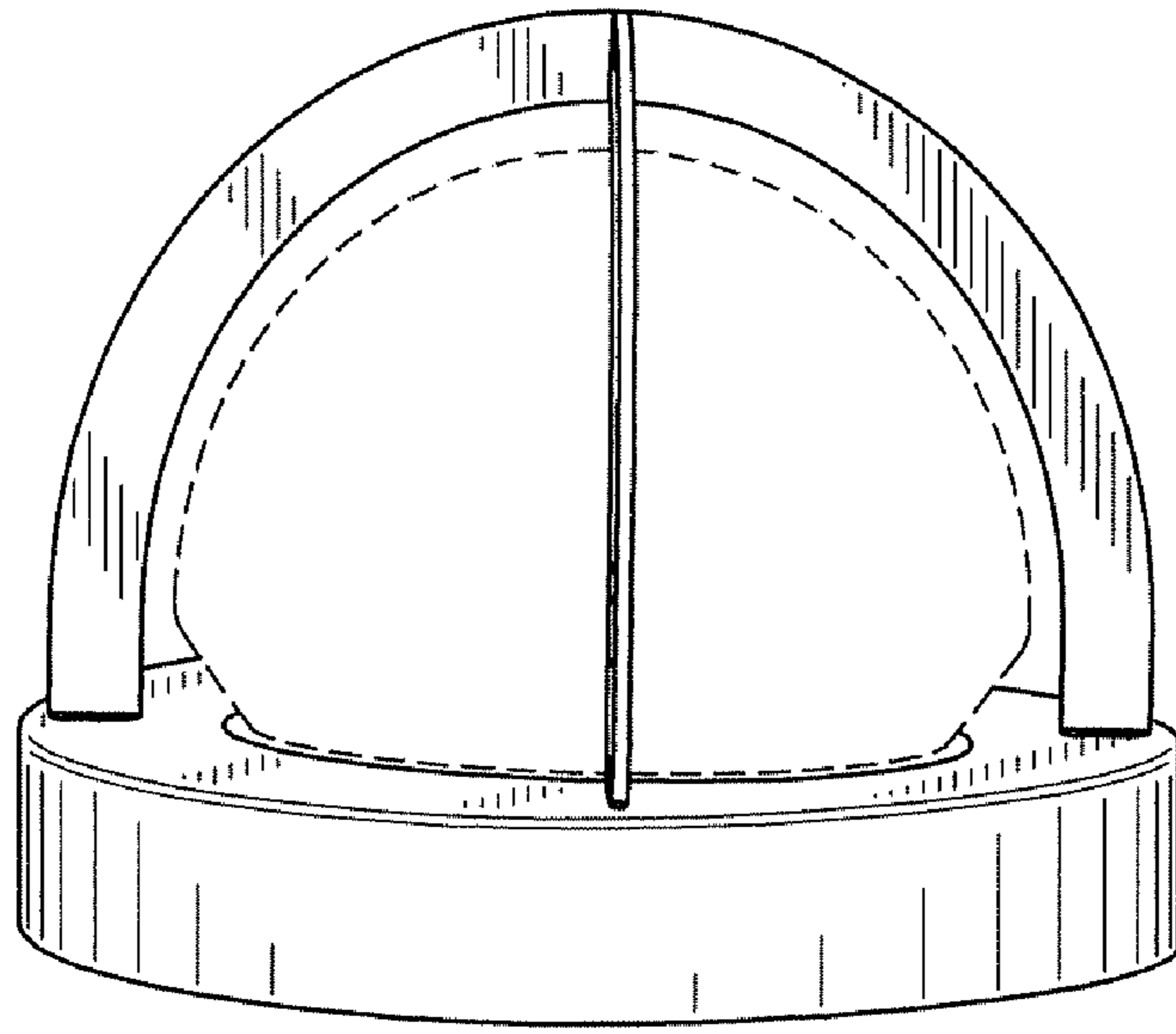


FIG. 6

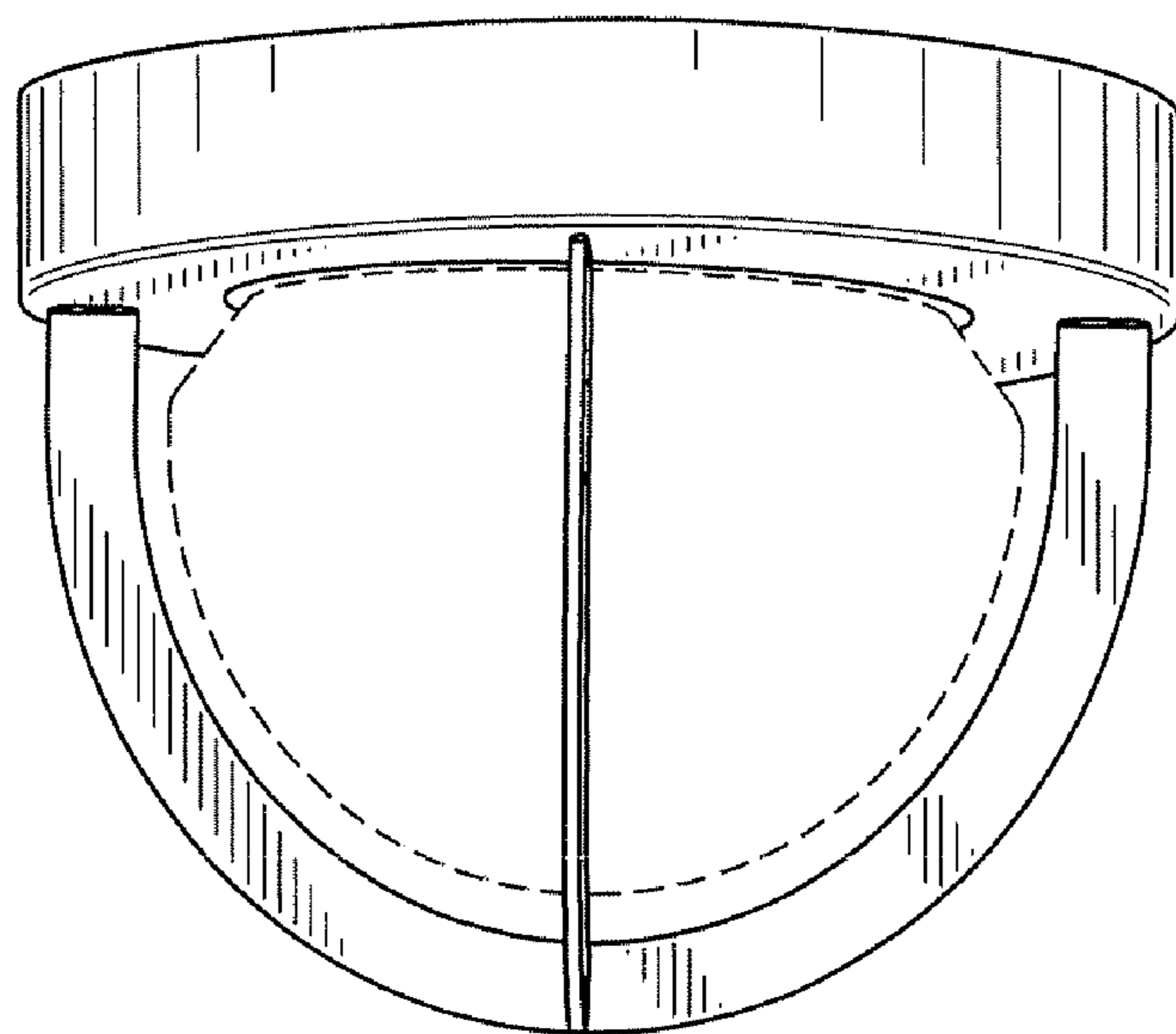


FIG. 7

UNITED STATES PATENT AND TRADEMARK OFFICE
CERTIFICATE OF CORRECTION

PATENT NO. : Des. 570,523 S
APPLICATION NO. : 29/291719
DATED : June 3, 2008
INVENTOR(S) : David H. Porter

Page 1 of 1

It is certified that error appears in the above-identified patent and that said Letters Patent is hereby corrected as shown below:

In the DESCRIPTION, line 1, after “are” please delete “photographic”.

Signed and Sealed this

Twenty-ninth Day of July, 2008

A handwritten signature in black ink that reads "Jon W. Dudas". The signature is written in a cursive style with a large, looped initial "J".

JON W. DUDAS
Director of the United States Patent and Trademark Office