



US00D570522S

(12) **United States Design Patent**
Chandler

(10) **Patent No.:** **US D570,522 S**

(45) **Date of Patent:** **** Jun. 3, 2008**

(54) **LAMP**

(75) Inventor: **George Chandler**, Hubbardton, VT (US)

(73) Assignee: **Hubbardton Forge, LLC**, Castleton, VT (US)

(**) Term: **14 Years**

(21) Appl. No.: **29/283,976**

(22) Filed: **Aug. 28, 2007**

(51) **LOC (8) Cl.** **26-03**

(52) **U.S. Cl.** **D26/85; D26/87; D26/104**

(58) **Field of Classification Search** D26/71, D26/72, 85, 88, 89, 104, 106, 121, 122; 362/147, 362/348-350, 367, 432, 806, 410, 414
See application file for complete search history.

(56) **References Cited**

U.S. PATENT DOCUMENTS

D96,763 S *	9/1935	Kennedy	D26/104
D158,907 S *	6/1950	Stiffel	D26/106
D185,974 S *	8/1959	Rambusch et al.	D26/85
D303,849 S *	10/1989	Nugent	D26/85
D340,309 S *	10/1993	Porter	D26/106
D442,317 S *	5/2001	Crosby	D26/87
D465,298 S *	11/2002	Gottwald	D26/85
D473,969 S *	4/2003	Stephens	D26/106
D556,936 S *	12/2007	Miranda	D26/85

D558,381 S * 12/2007 Horn et al. D26/85

* cited by examiner

Primary Examiner—Clare E Heflin

(74) *Attorney, Agent, or Firm*—Bourque & Associates

(57) **CLAIM**

The ornamental design for a lamp, as shown and described.

DESCRIPTION

FIG. 1 is a perspective view of the lamp according to the present invention;

FIG. 2 is a front view of the lamp shown in FIG. 1 according to the present invention;

FIG. 3 is a back view of the lamp according to the present invention;

FIG. 4 is a right view of the lamp shown in FIG. 3 according to the present invention;

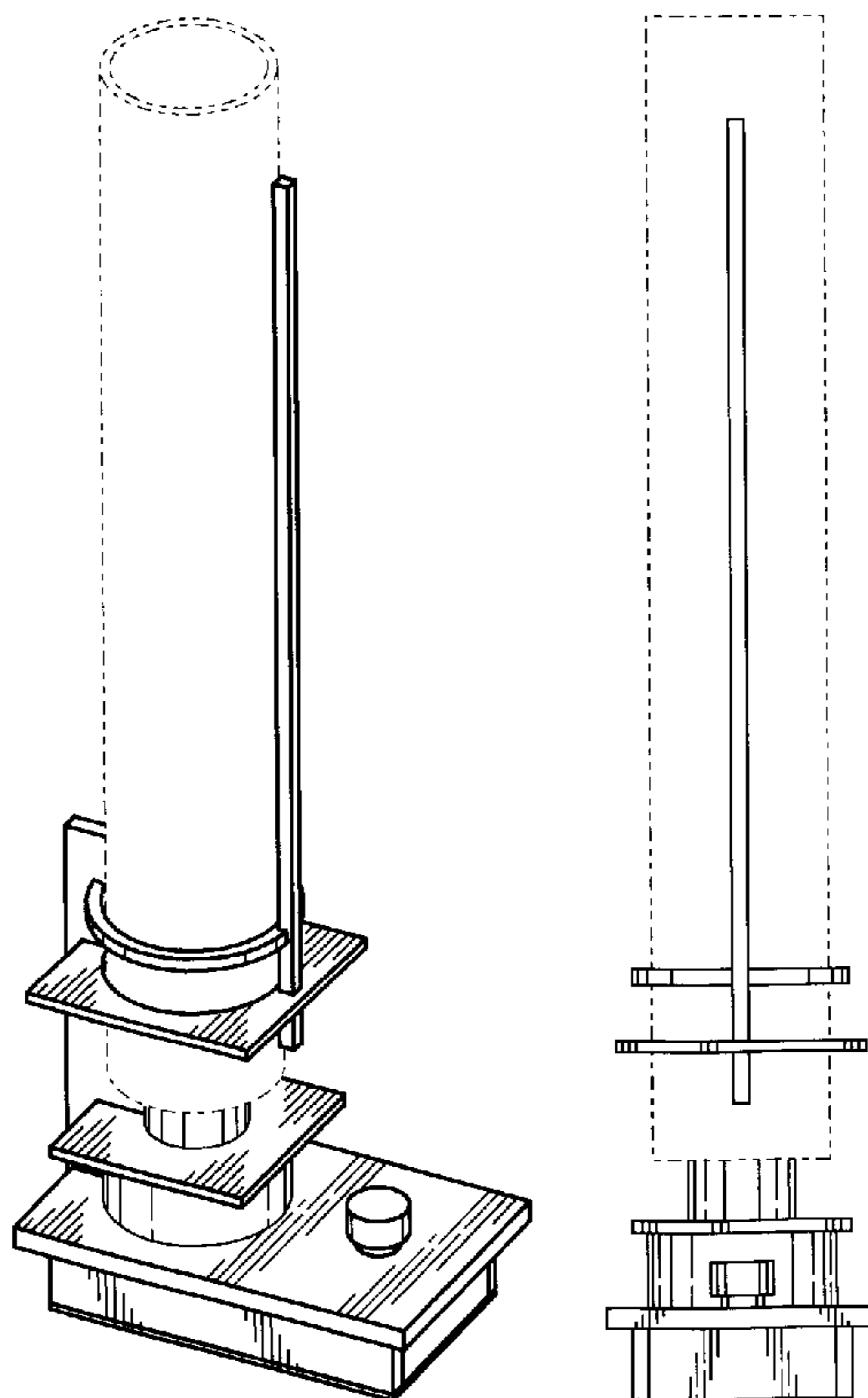
FIG. 5 is a left view of the lamp according to the present invention;

FIG. 6 is a top view of the lamp according to the present invention; and,

FIG. 7 is a bottom view of the lamp according to the present invention.

The broken lines shown are for illustrative purposes only and form no part of the claimed design.

1 Claim, 6 Drawing Sheets



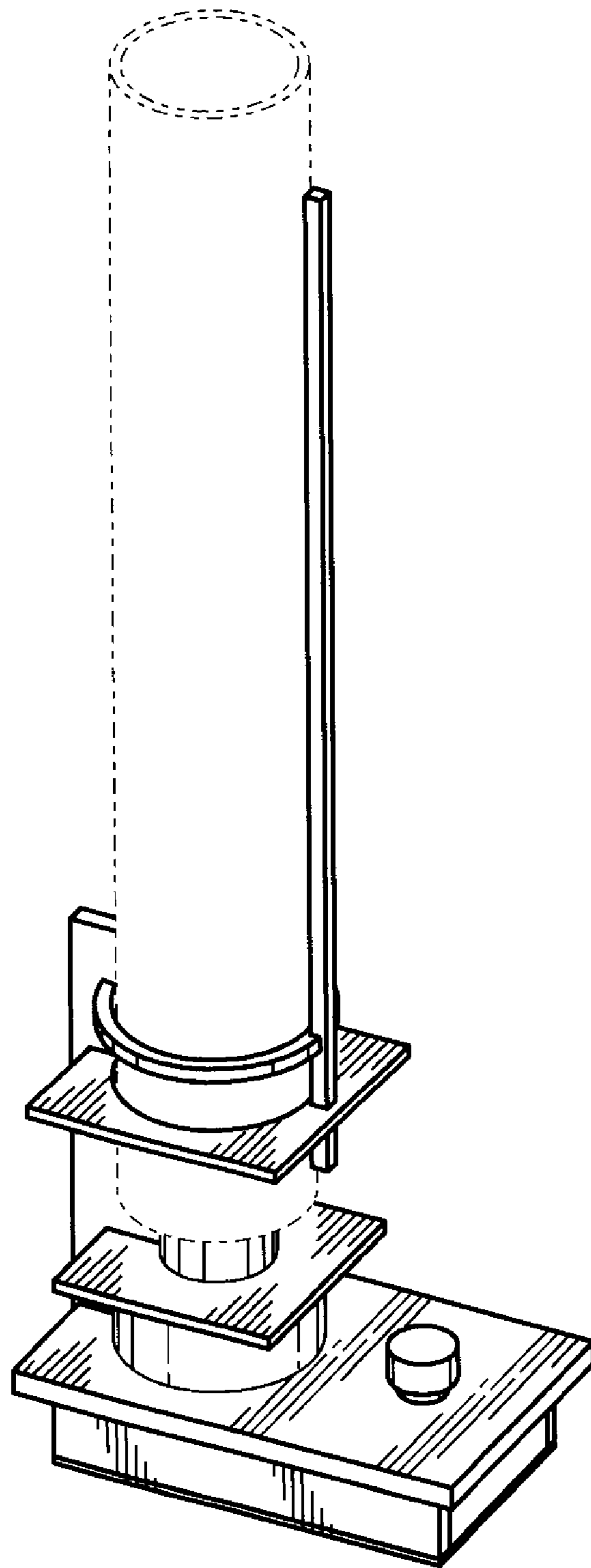


FIG. 1

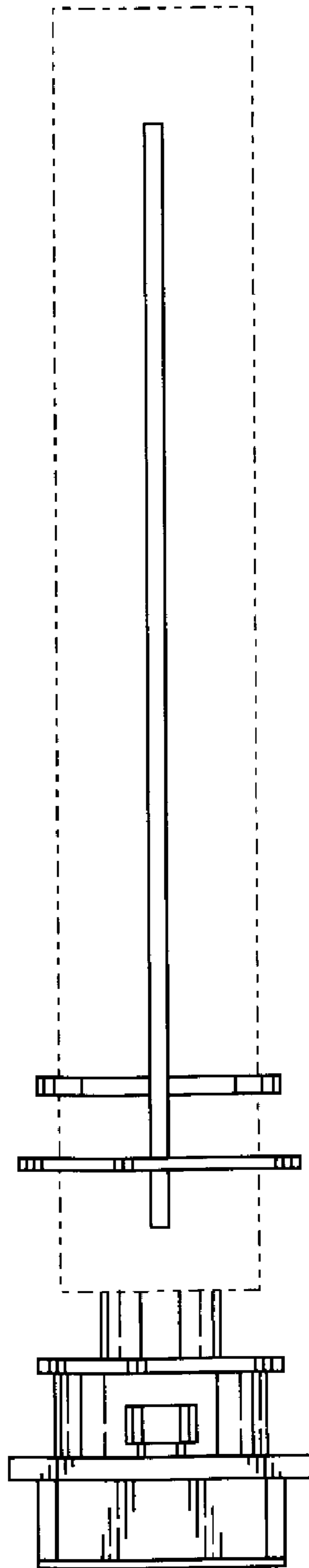


FIG. 2

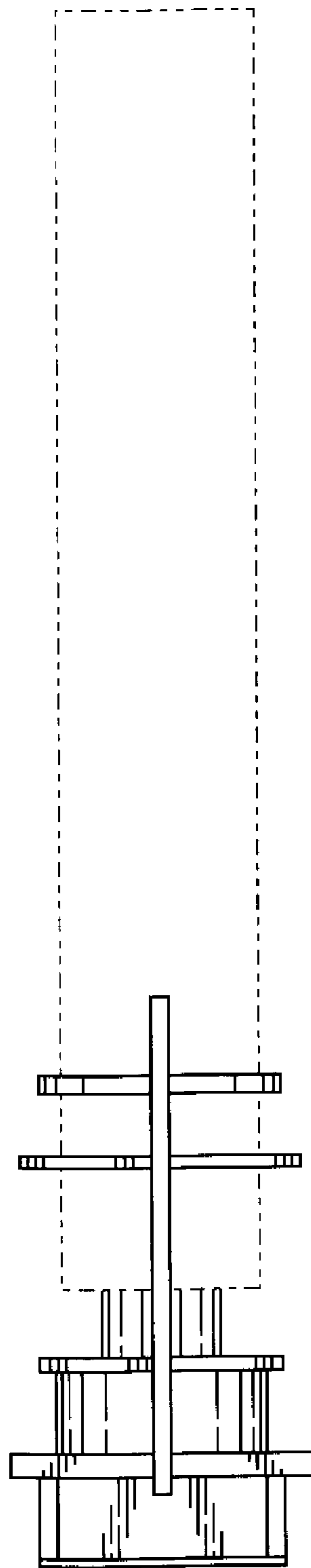


FIG. 3

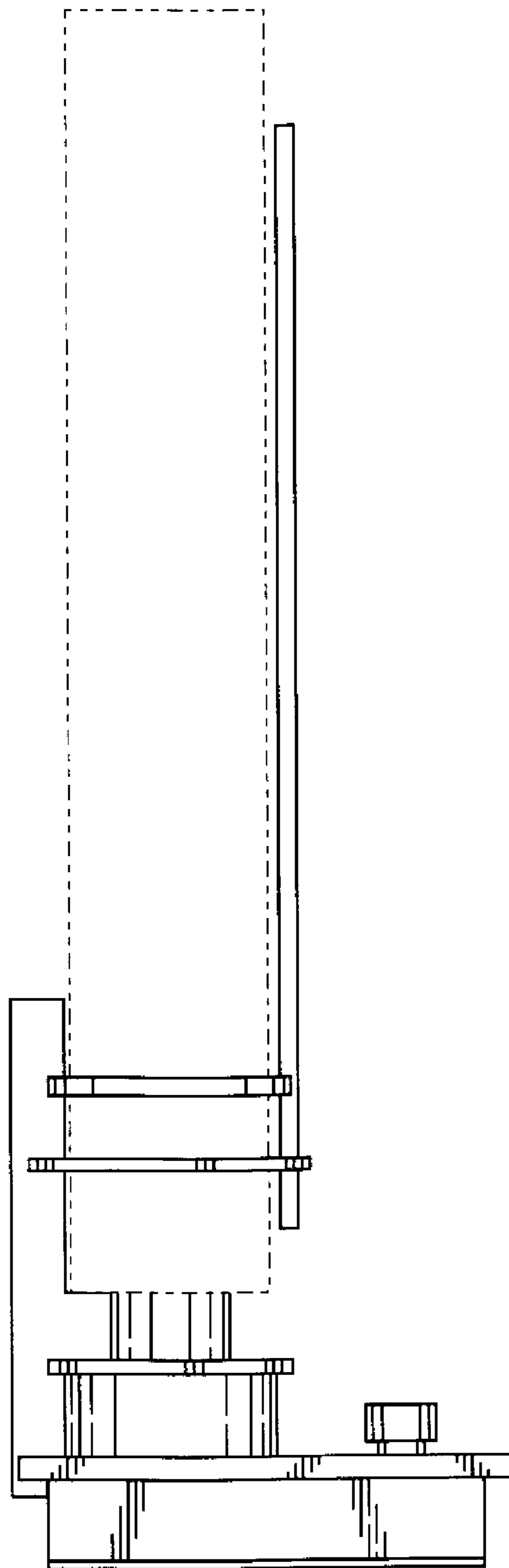


FIG. 4

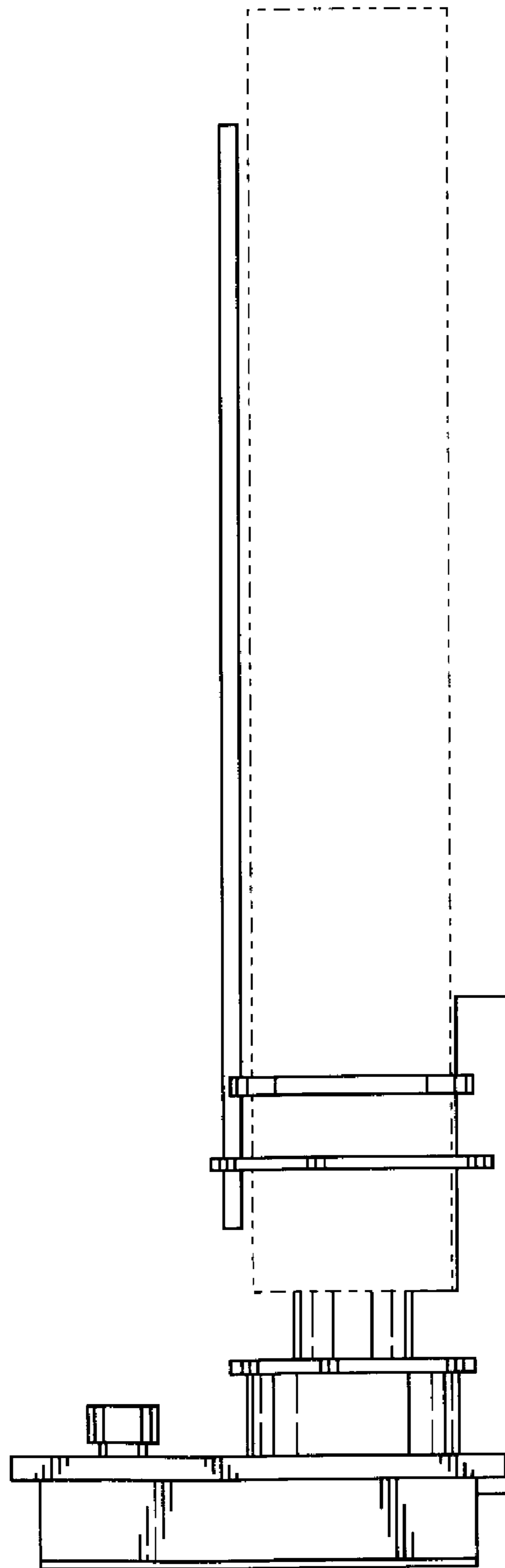


FIG. 5

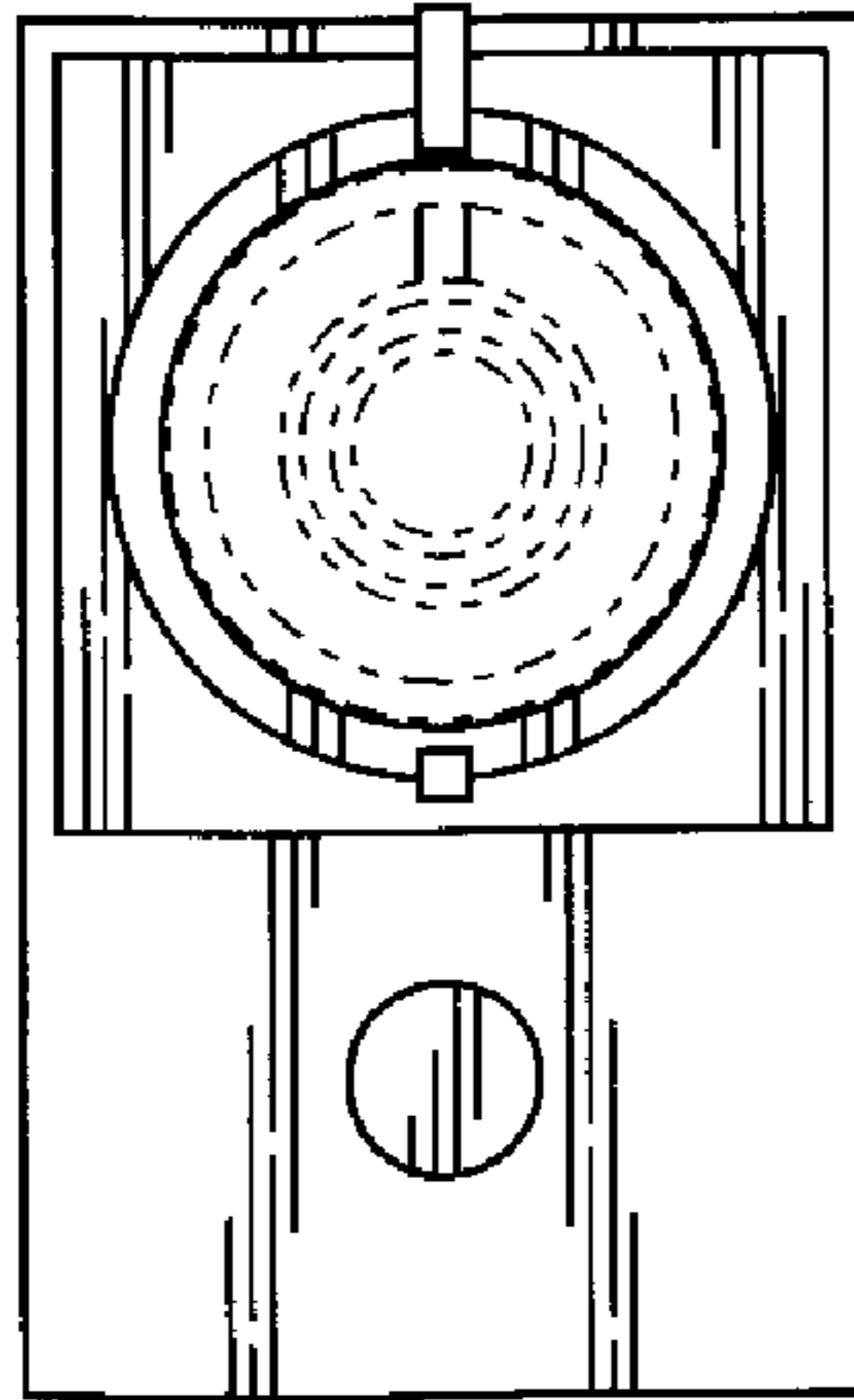


FIG. 6

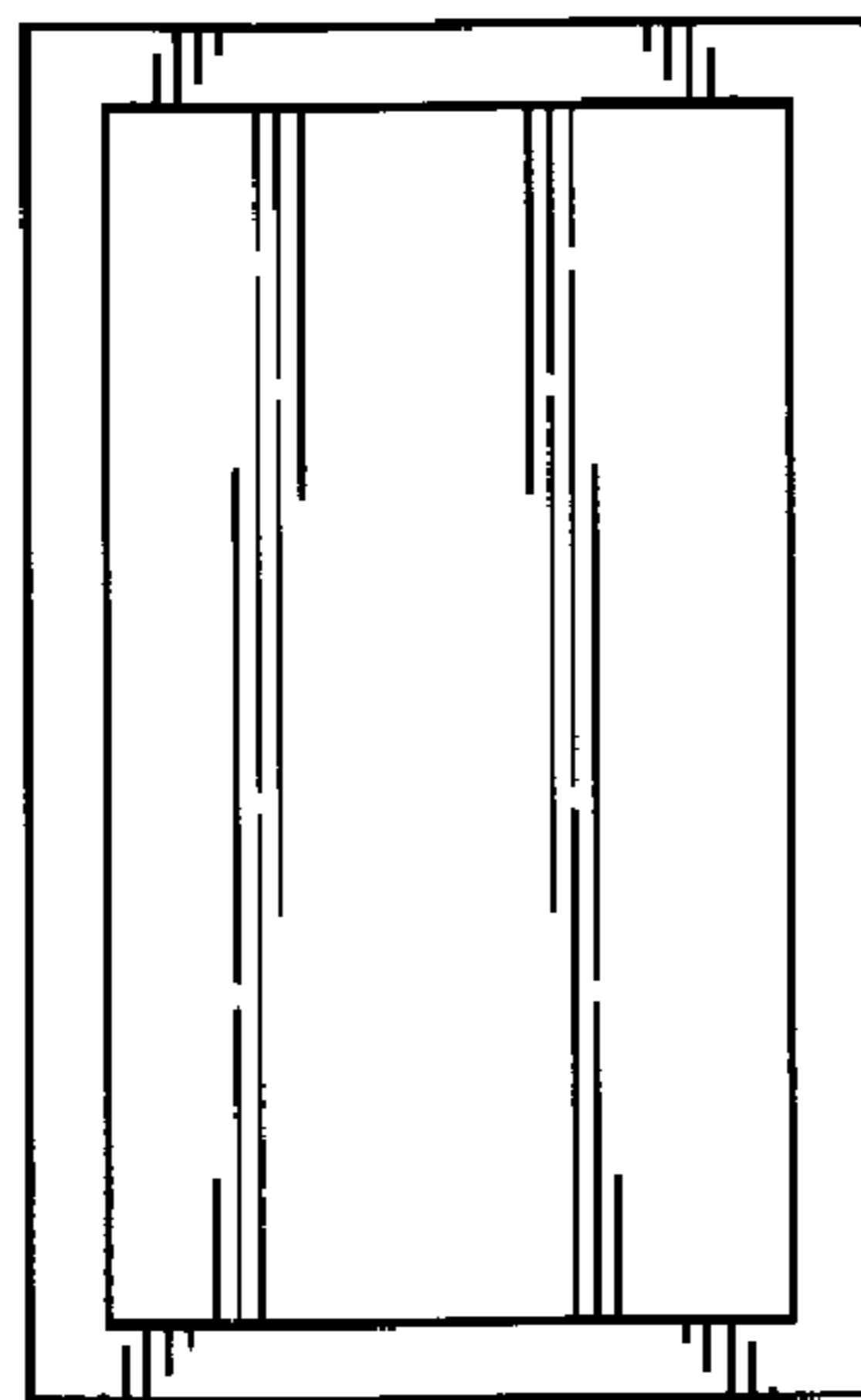


FIG. 7