



US00D570514S

(12) **United States Design Patent**
Iai et al.

(10) **Patent No.:** **US D570,514 S**
(45) **Date of Patent:** **** Jun. 3, 2008**

(54) **DESK LAMP**

2002/0015303 A1* 2/2002 Gismondi 362/235

(75) Inventors: **Toru Iai**, Osaka (JP); **Naruka Otsuki**, Osaka (JP)

* cited by examiner

(73) Assignee: **Matsushita Electric Works, Ltd.**, Kadoma-shi, Osaka (JP)

Primary Examiner—Cathron Brooks

Assistant Examiner—Barbara Fox

(74) *Attorney, Agent, or Firm*—Osha Liang LLP

(**) Term: **14 Years**

(57) **CLAIM**

(21) Appl. No.: **29/288,711**

The ornamental design for a desk lamp, as shown and described.

(22) Filed: **Jun. 20, 2007**

DESCRIPTION

(30) **Foreign Application Priority Data**

Dec. 20, 2006 (JP) 2006-034941

FIG. 1 is a perspective view of the top, rear and left side of a desk lamp showing our new design;

FIG. 2 is a front view thereof;

(51) **LOC (8) Cl.** **26-05**

(52) **U.S. Cl.** **D26/65**

(58) **Field of Classification Search** D26/60-66, D26/93, 107, 118, 128, 138, 142; 362/269, 362/277, 278, 282, 285, 287, 288, 410, 413, 362/418, 430, 499, 411, 412, 427, 275, 371, 362/419, 804

FIG. 3 is a right side view thereof, the left side view is a mirror image thereto;

FIG. 4 is a top plan view thereof;

FIG. 5 is a rear view thereof;

FIG. 6 is a bottom view thereof;

See application file for complete search history.

FIG. 7 is a cross sectional view along line 7-7 of FIG. 2;

FIG. 8 is a cross sectional view along line 8-8 of FIG. 2;

FIG. 9 is an enlarged cross sectional view at 9-9 in FIG. 3 omitting interior mechanism;

FIG. 10 is an enlarged cross sectional view at 10-10 in FIG. 3 omitting interior mechanism;

FIG. 11 is an enlarged partial view of FIG. 7; and,

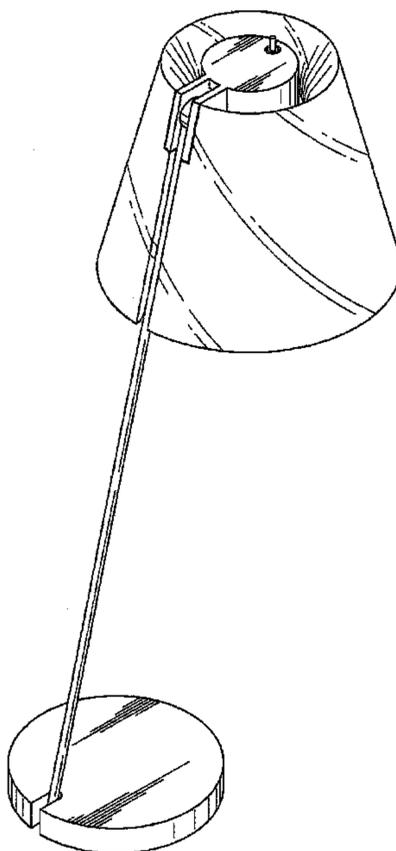
FIG. 12 is a side view of the lamp desk lamp shown in an alternate position.

(56) **References Cited**

U.S. PATENT DOCUMENTS

D202,728 S *	11/1965	Koch	D26/64
D203,215 S *	12/1965	Koch	D26/93
3,375,752 A *	4/1968	Fairbanks et al.	355/70
D217,830 S *	6/1970	Heller	D26/51
D360,968 S *	8/1995	Sonneman	D26/107
D373,650 S *	9/1996	Yeh	D26/107
D529,222 S *	9/2006	Waldmann	D26/107
D534,300 S *	12/2006	Eikelenboom	D26/107

1 Claim, 12 Drawing Sheets



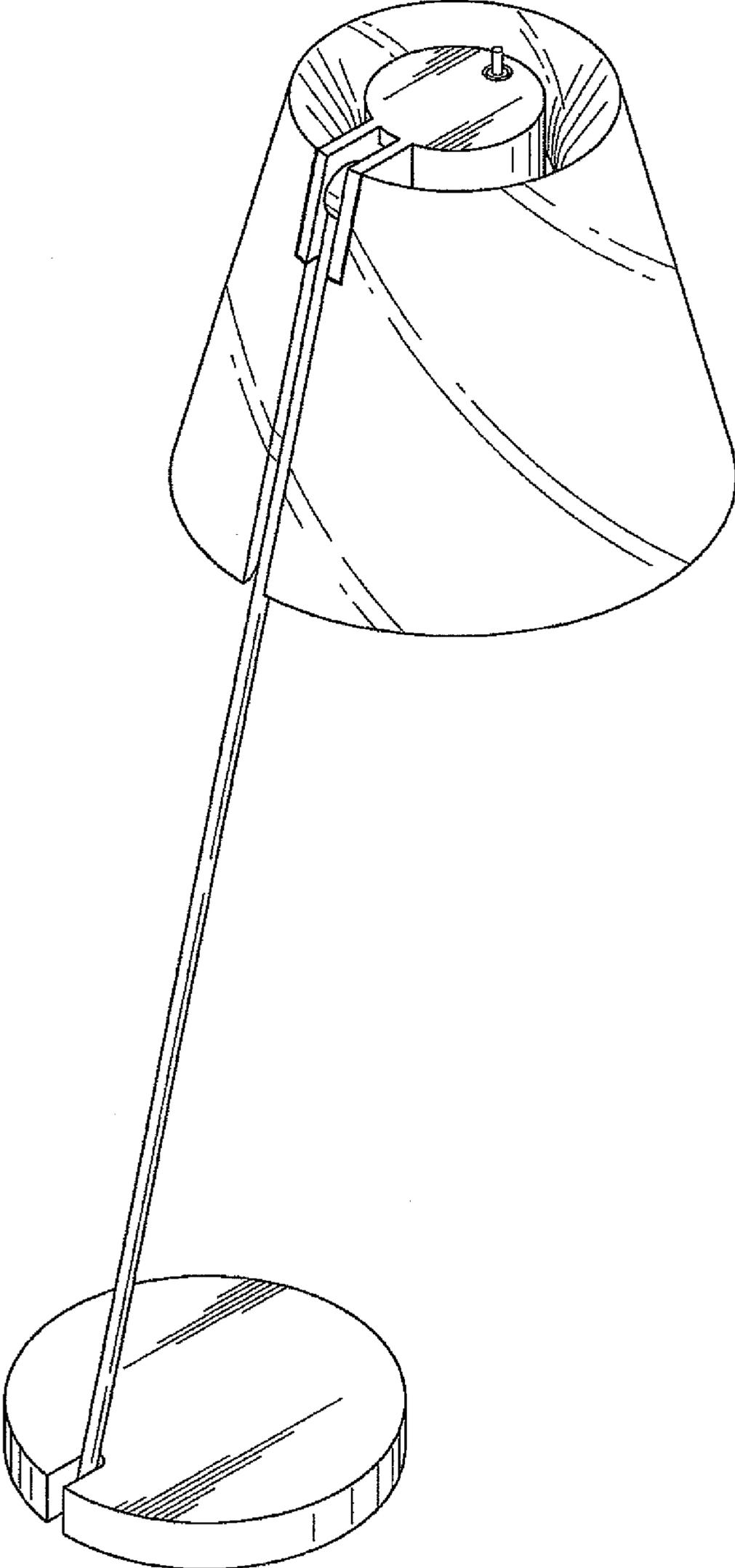


FIG. 1

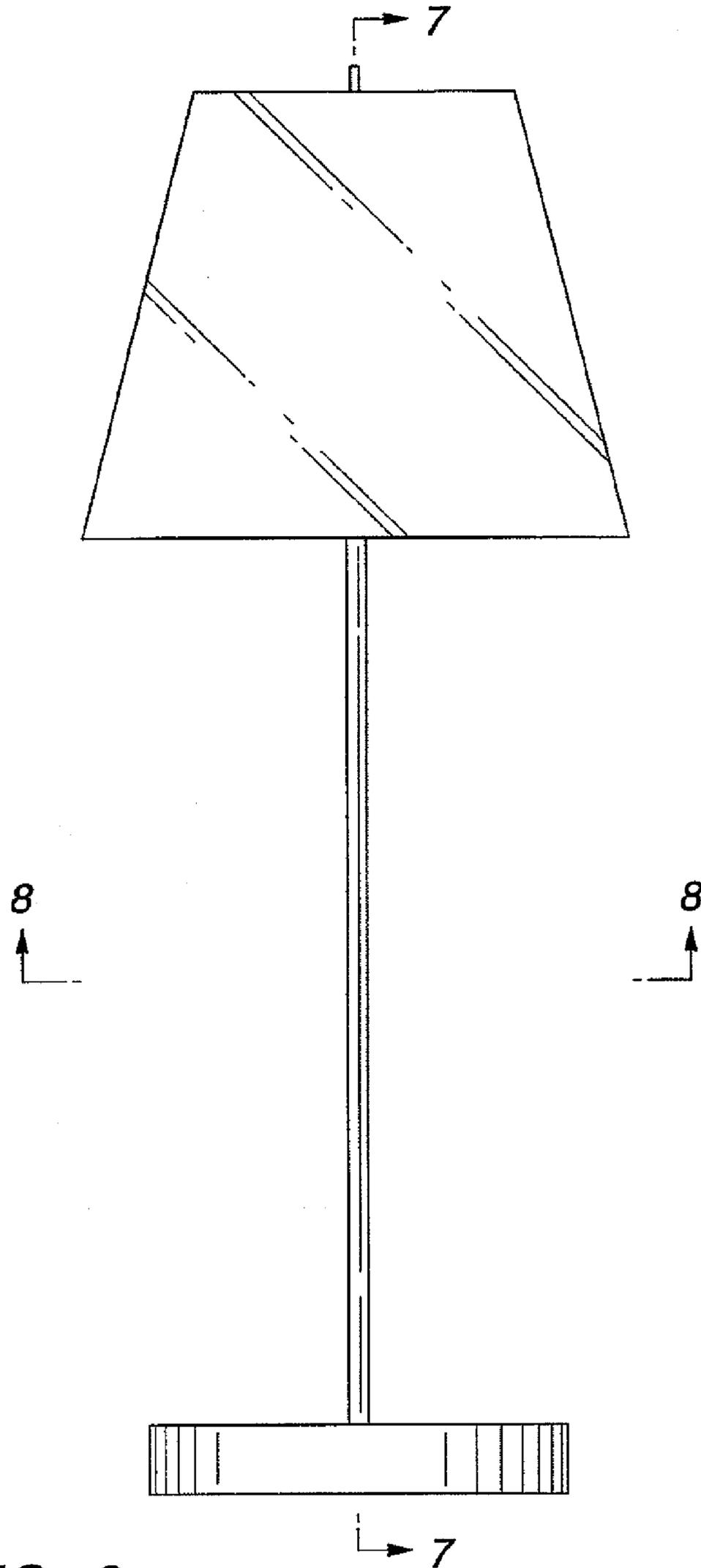


FIG. 2

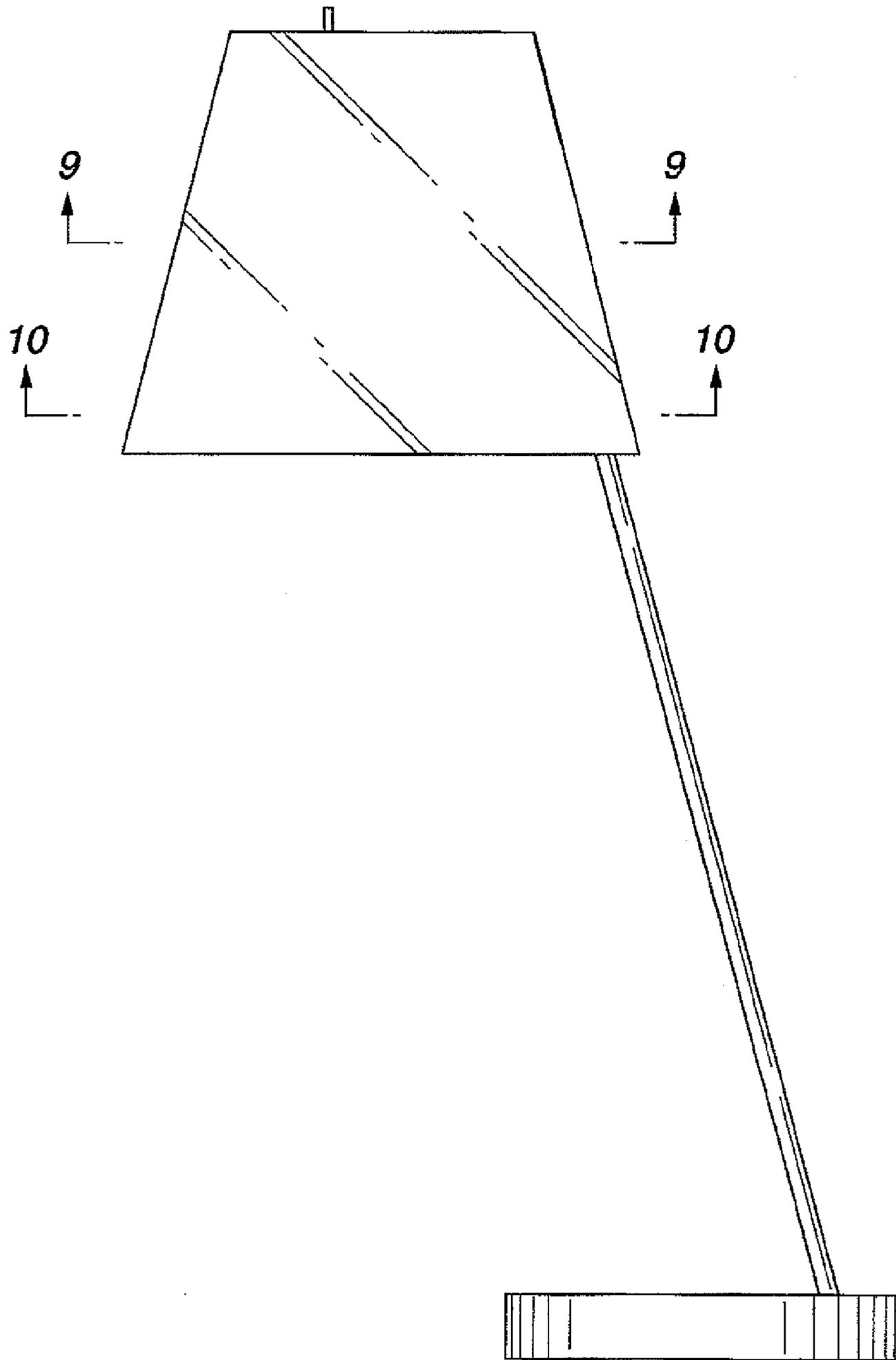


FIG. 3

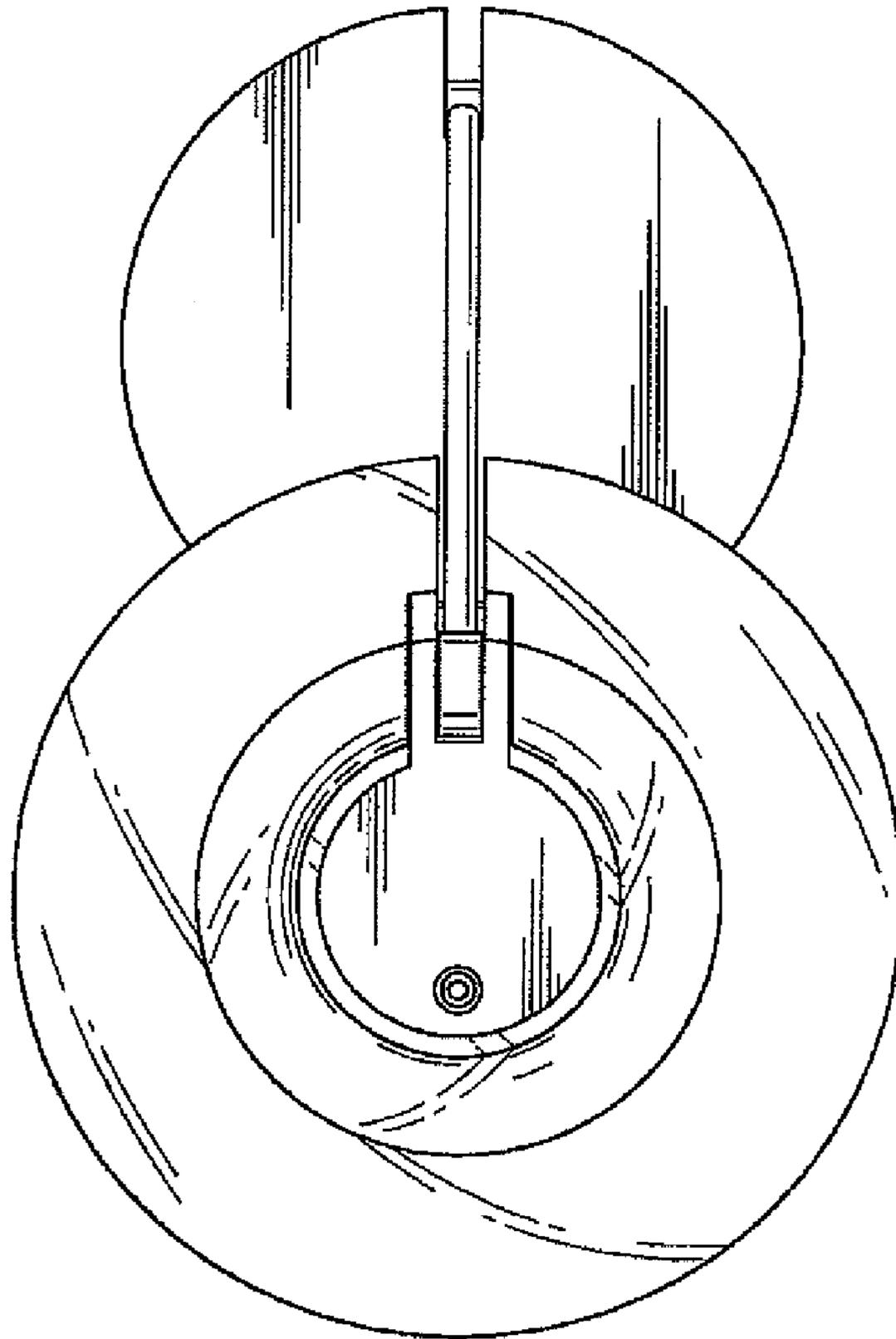


FIG. 4

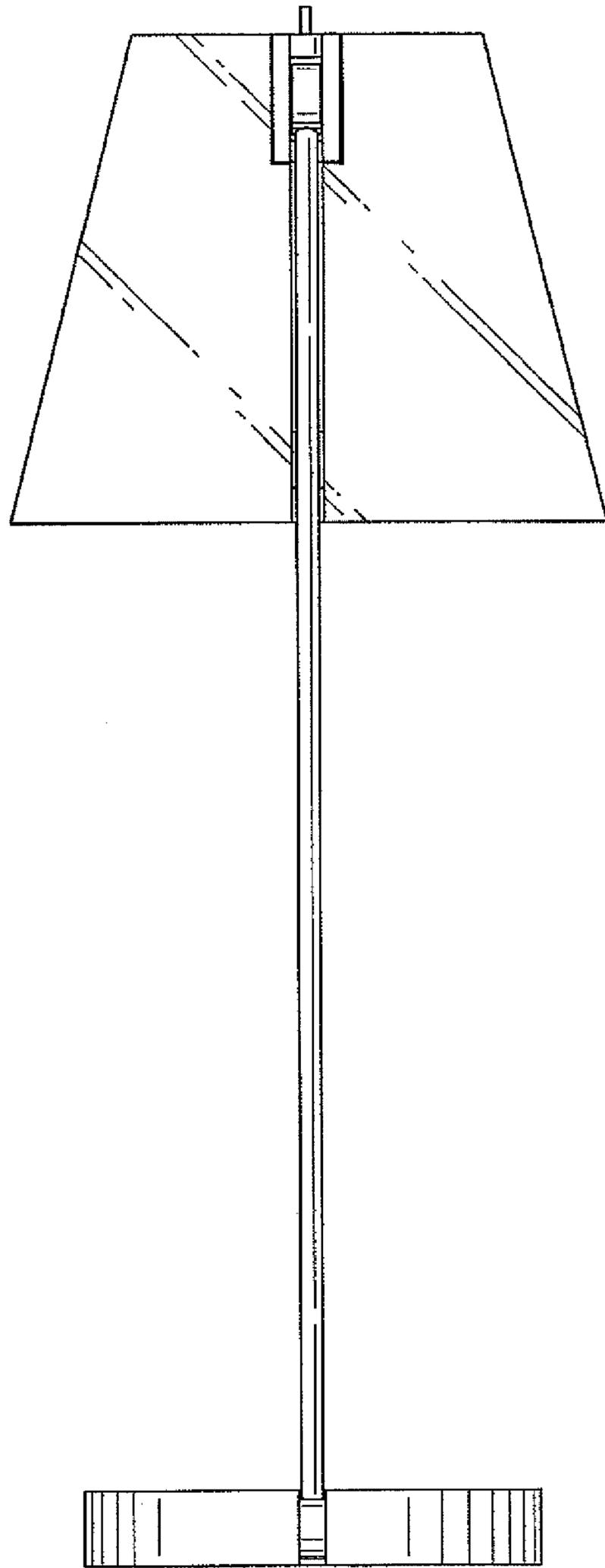


FIG. 5

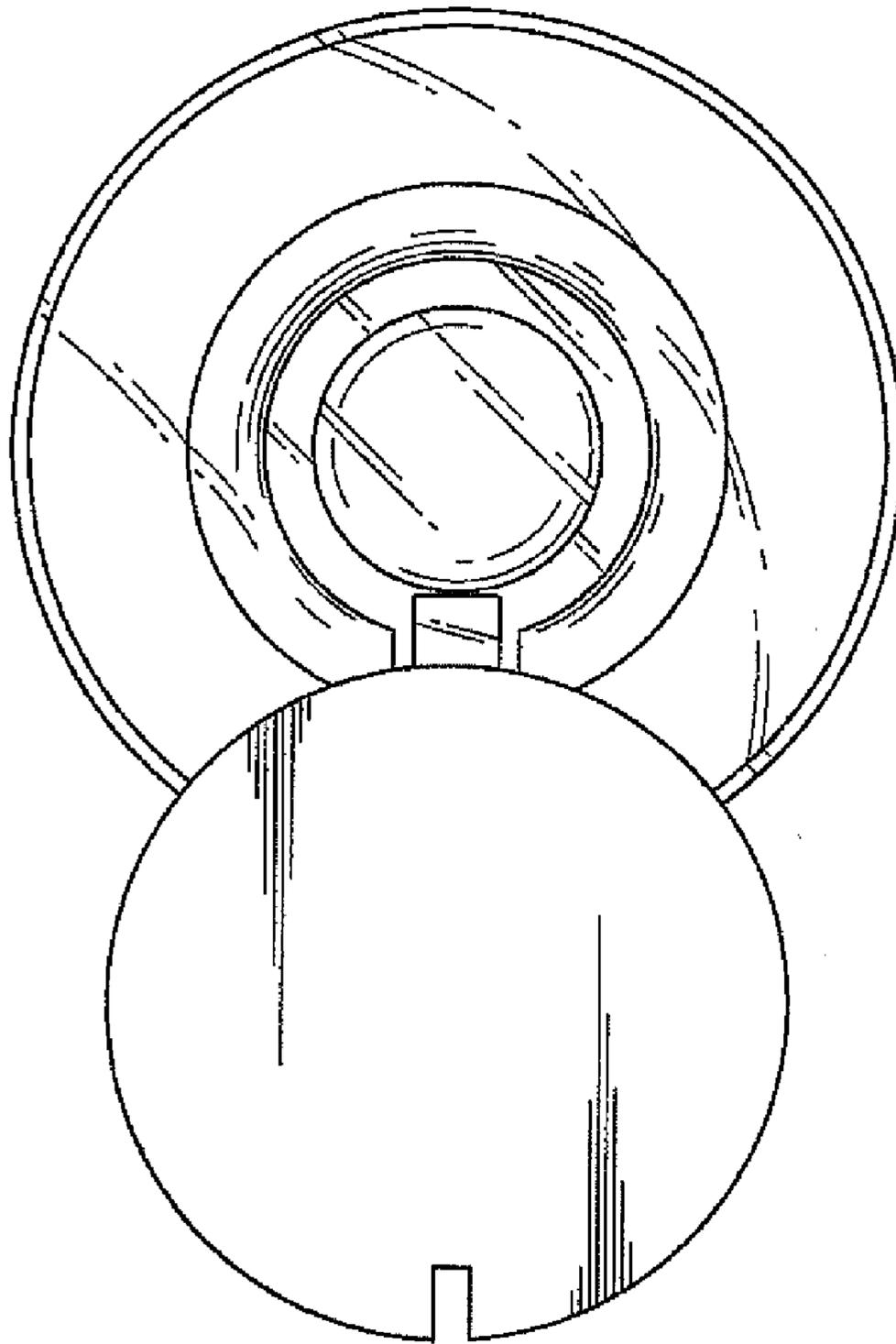


FIG. 6

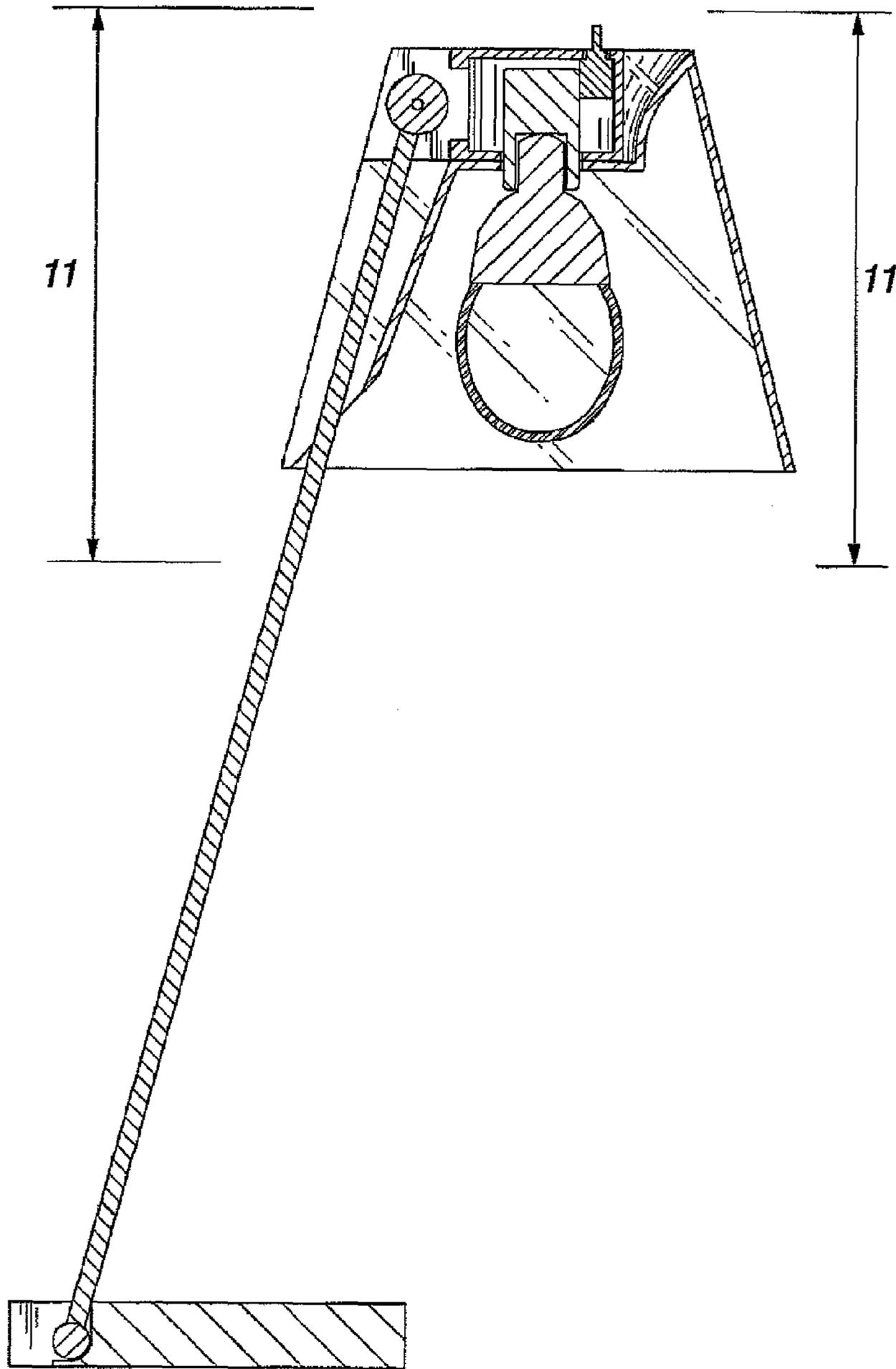


FIG. 7

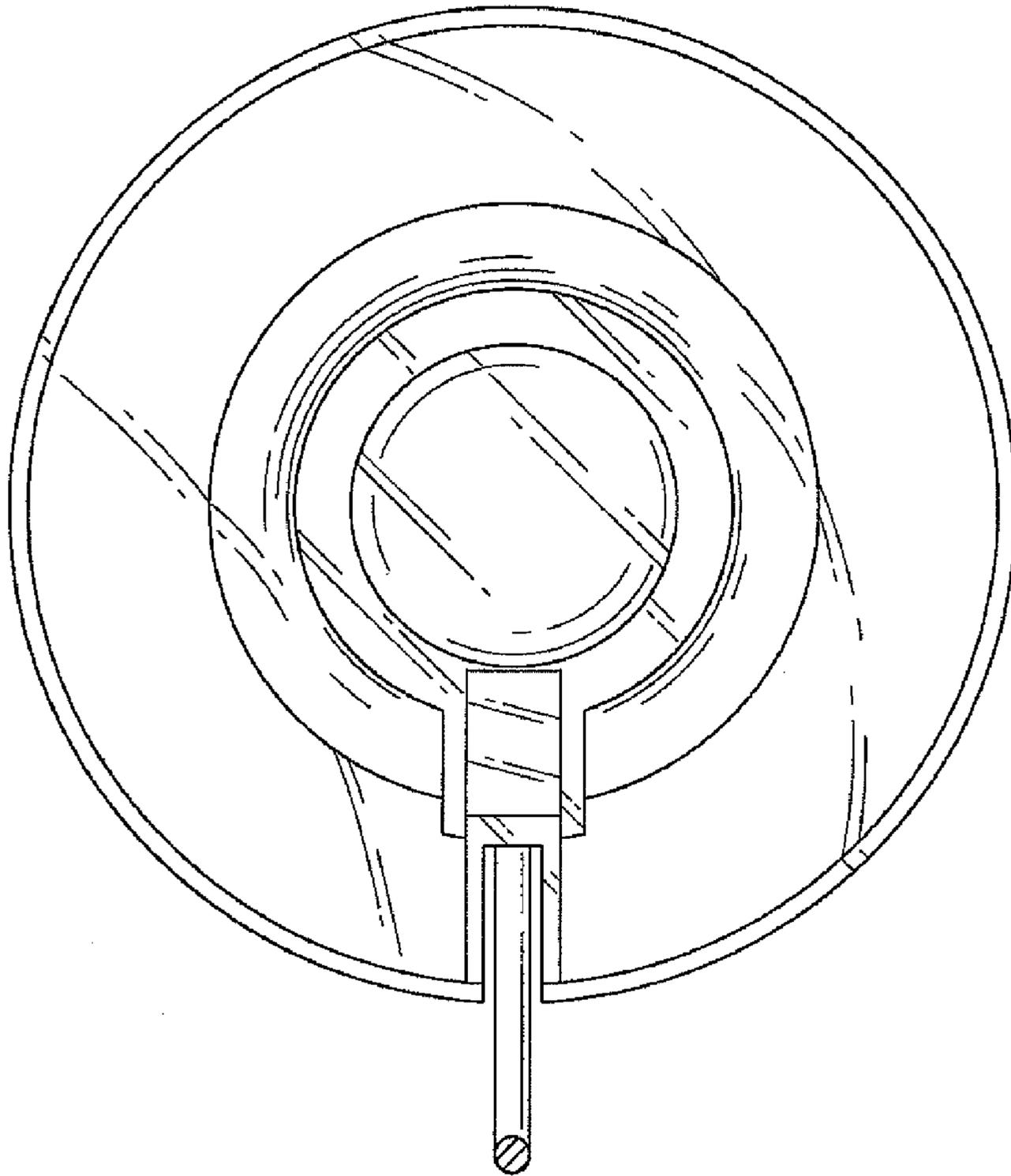


FIG. 8

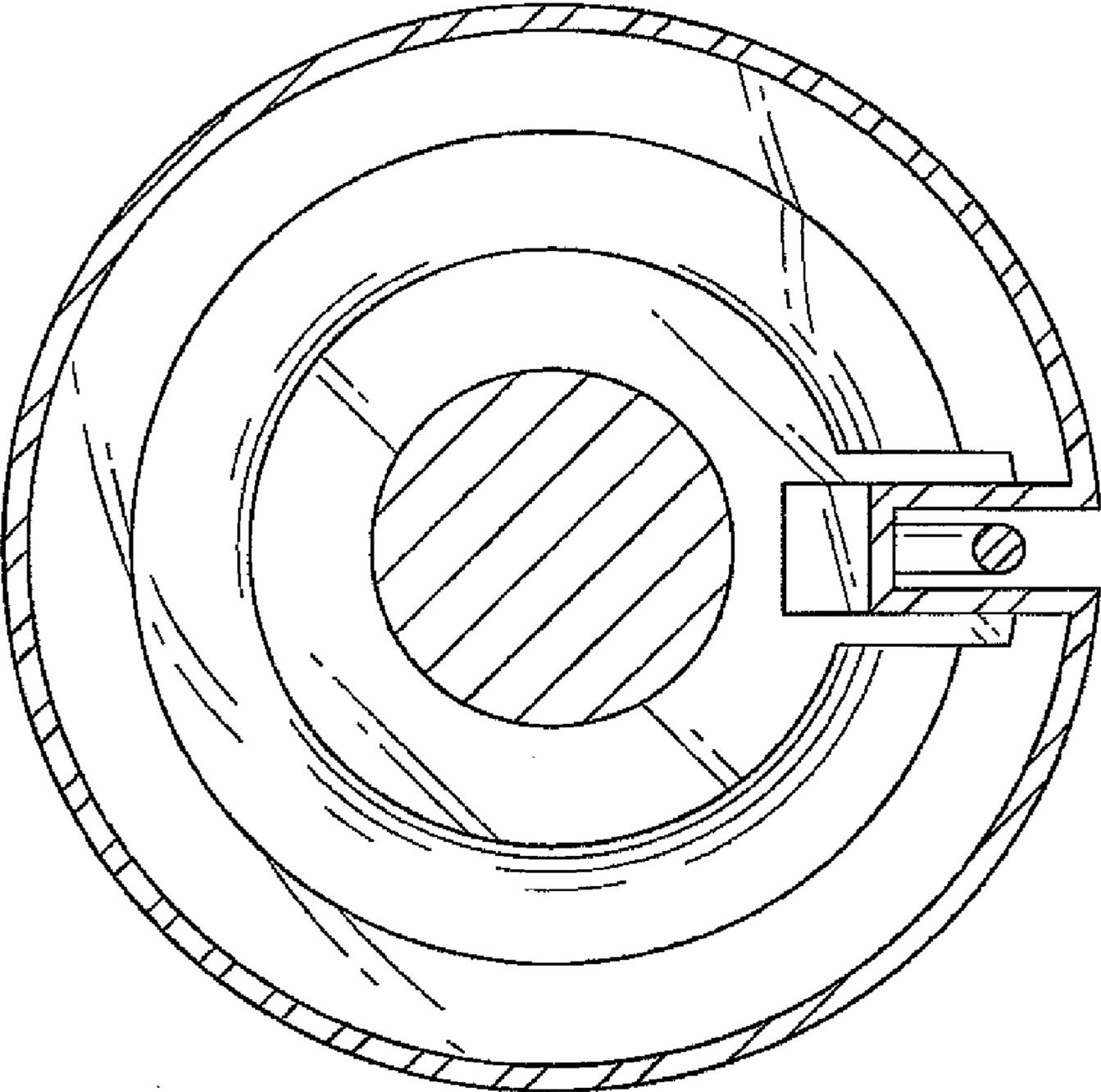


FIG. 9

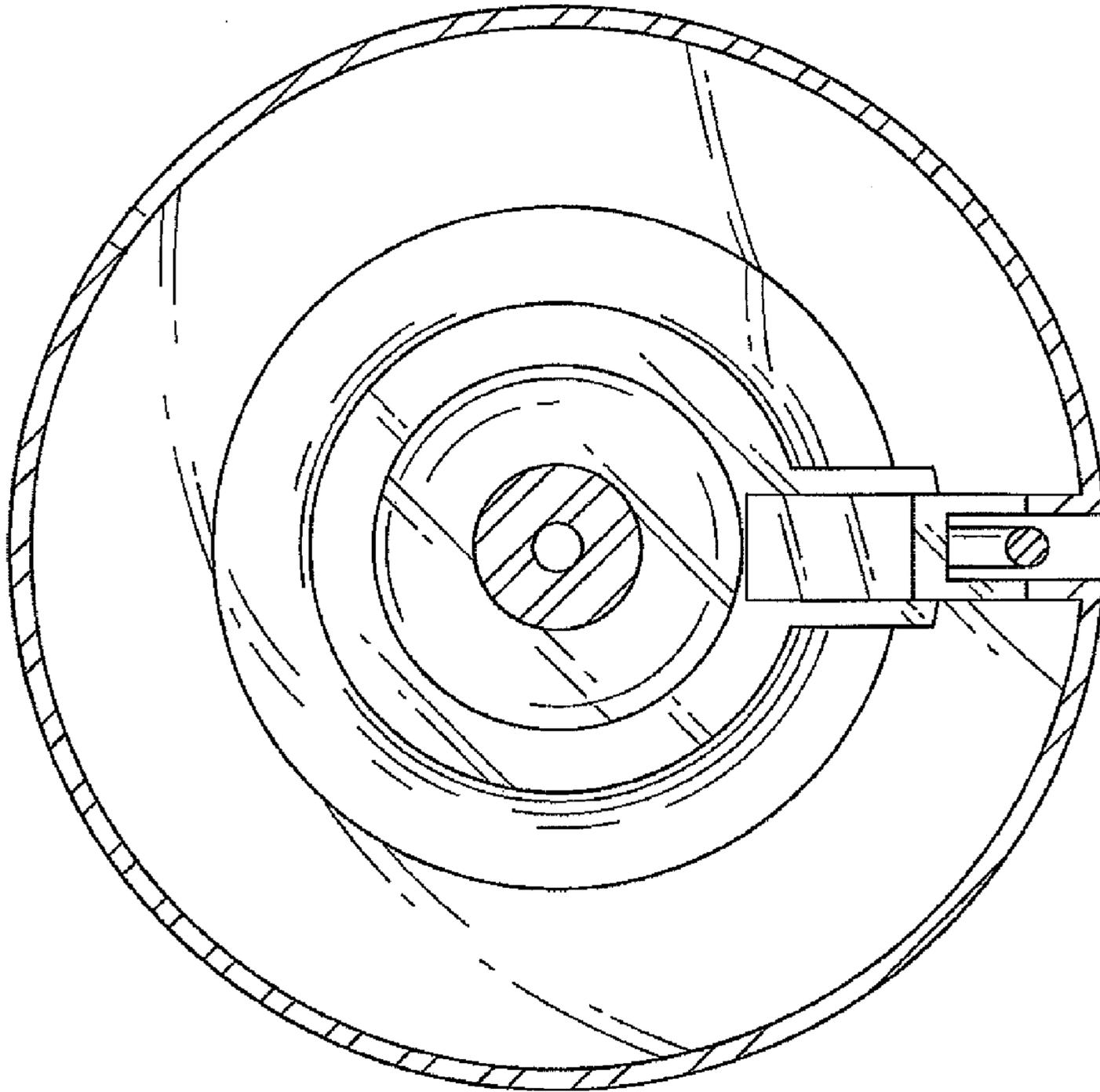


FIG. 10

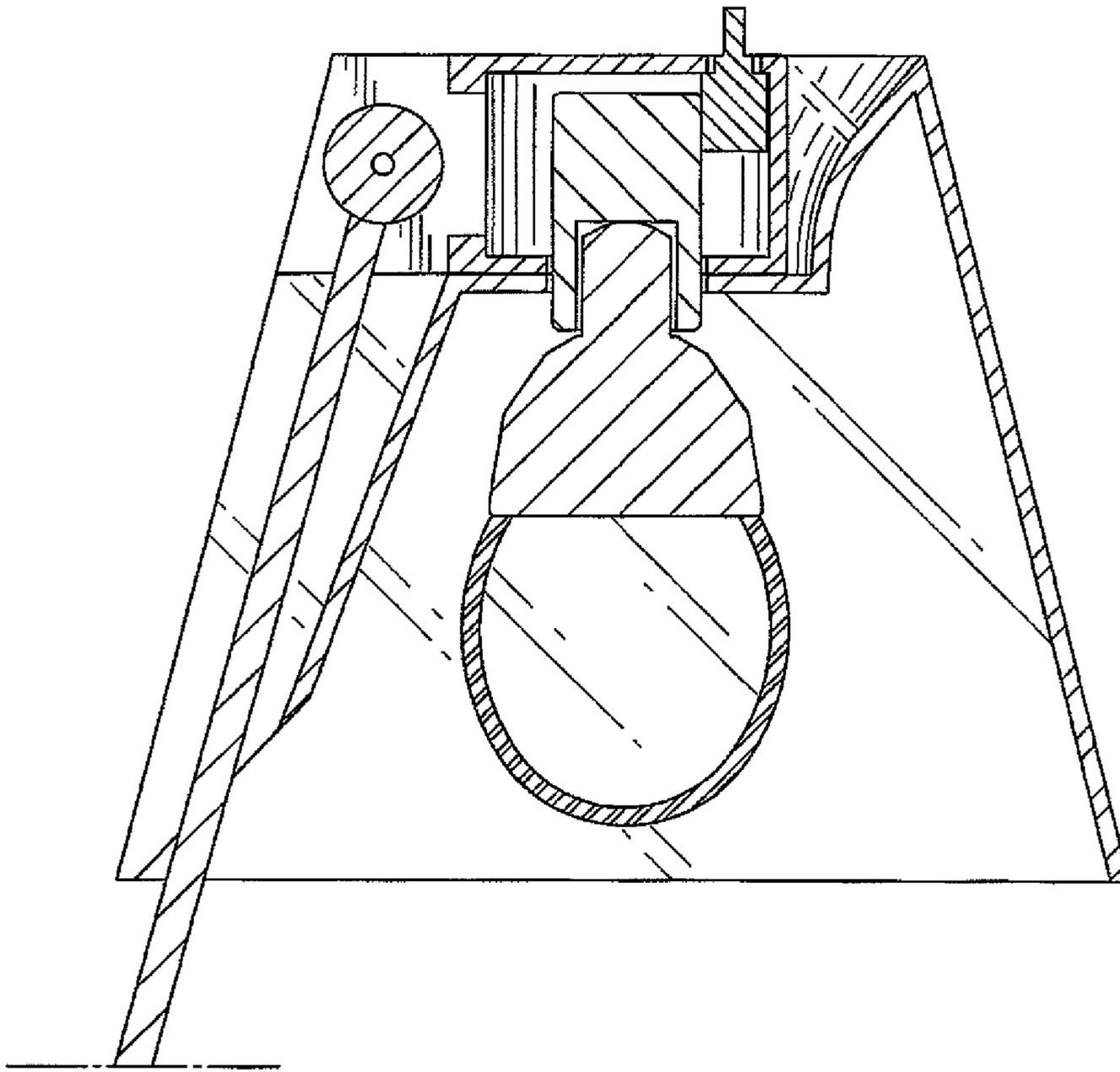


FIG. 11

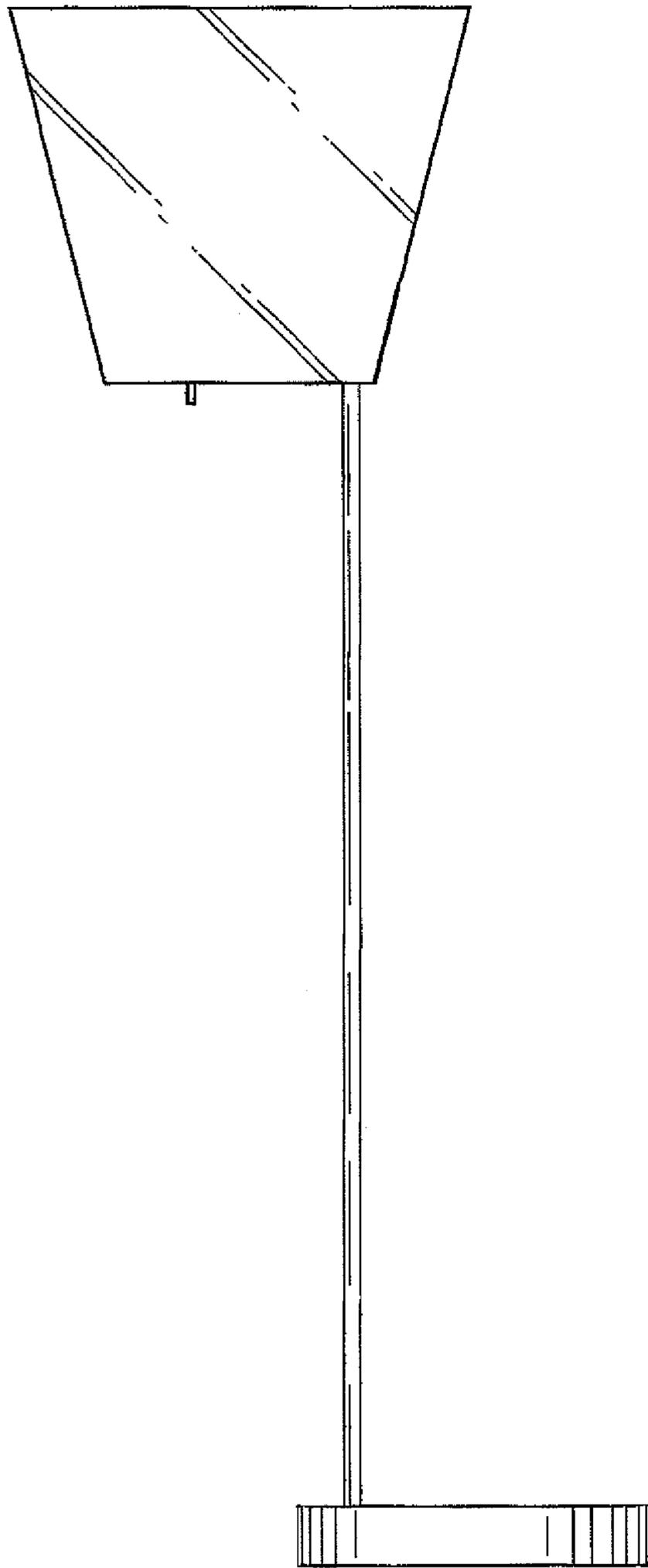


FIG. 12