

US00D570510S

(12) **United States Design Patent** (10) **Patent No.:** **US D570,510 S**
DeBrunner (45) **Date of Patent:** **** Jun. 3, 2008**

(54) **COLLAPSIBLE LANTERN**

(75) Inventor: **Daniel E. DeBrunner**, Wichita, KS
(US)

(73) Assignee: **The Coleman Company, Inc.**, Wichita,
KS (US)

(**) Term: **14 Years**

(21) Appl. No.: **29/248,155**

(22) Filed: **Jul. 31, 2006**

(51) **LOC (8) Cl.** **26-02**

(52) **U.S. Cl.** **D26/40**

(58) **Field of Classification Search** D26/37,
D26/38, 39, 40, 42, 47, 41, 48, 49, 50, 51,
D26/52; 362/570, 571, 116, 104, 103, 105,
362/106, 157, 158, 171-174, 183, 190, 344,
362/345

See application file for complete search history.

(56) **References Cited**

U.S. PATENT DOCUMENTS

D293,482 S	*	12/1987	Geissler	D26/49
D321,568 S	*	11/1991	Yuen	D26/42
D365,164 S	*	12/1995	Yuen	D26/48
D381,100 S	*	7/1997	Fink	D26/38
D451,221 S	*	11/2001	Poon	D26/42
D452,023 S	*	12/2001	Poon	D26/48
D529,647 S	*	10/2006	Shiu	D26/40
D532,132 S		11/2006	Holsinger et al.		
D532,133 S		11/2006	Holsinger et al.		
D535,419 S	*	1/2007	Shiu	D26/40
D541,961 S	*	5/2007	Tarter et al.	D26/40

OTHER PUBLICATIONS

The Coleman Company, Inc., "Coleman Lanterns," Coleman Collectors' Guide 1903-1954, 34 pgs.
The Coleman Company, Inc., "Coleman Lamps," Coleman Collectors' Guide 1903-1954, 60 pgs.

Tucker, Carl R., "Coleman Lighting Systems," Coleman Collectors' Guide 1903-1954, 34 pgs., The Coleman Company, Inc., 1993.

* cited by examiner

Primary Examiner—Ian Simmons
Assistant Examiner—Carissa C Fitts

(74) *Attorney, Agent, or Firm*—Townsend and Townsend and Crew LLP

(57) **CLAIM**

The ornamental design for a collapsible lantern, as shown and described.

DESCRIPTION

FIG. 1 is a top, side perspective view of an embodiment of my new collapsible lantern;

FIG. 2 is a front elevation view thereof;

FIG. 3 is a rear elevation view thereof;

FIG. 4 is a left side elevation view thereof, the right side elevation view being a mirror image thereof;

FIG. 5 is a top plan view thereof;

FIG. 6 is a bottom plan view thereof;

FIG. 7 is a bottom, side perspective view thereof;

FIG. 8 is a side perspective view of an alternate embodiment of my new collapsible lantern;

FIG. 9 is a front elevation view thereof;

FIG. 10 is a rear elevation view thereof;

FIG. 11 is a left side elevation view thereof, the right side elevation view being a mirror image thereof;

FIG. 12 is a top plan view thereof;

FIG. 13 is a bottom plan view thereof; and,

FIG. 14 is a bottom, side perspective view thereof.

The broken line showing is for illustrative purposes only and forms no part of the claimed design.

1 Claim, 6 Drawing Sheets

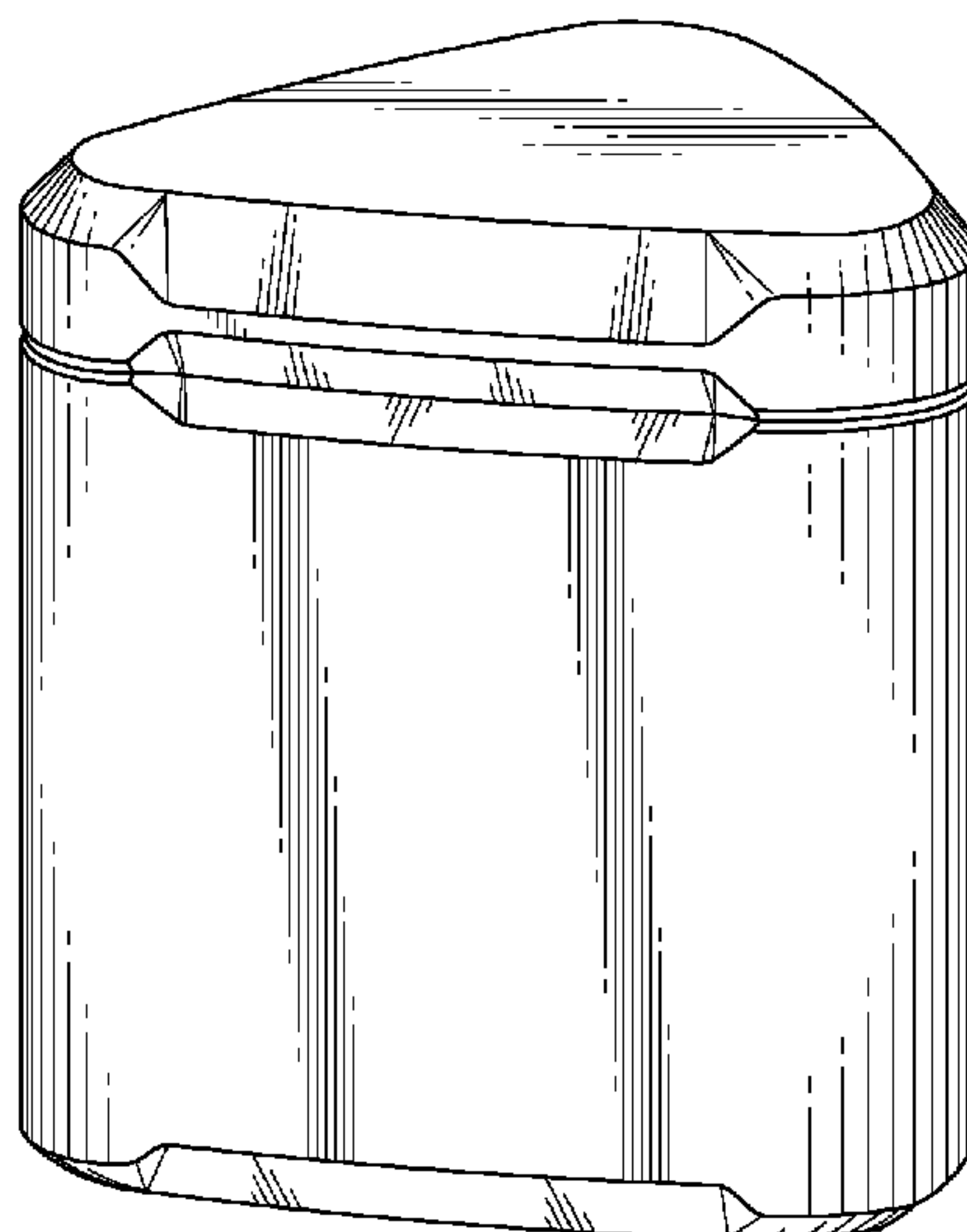


FIG. 1

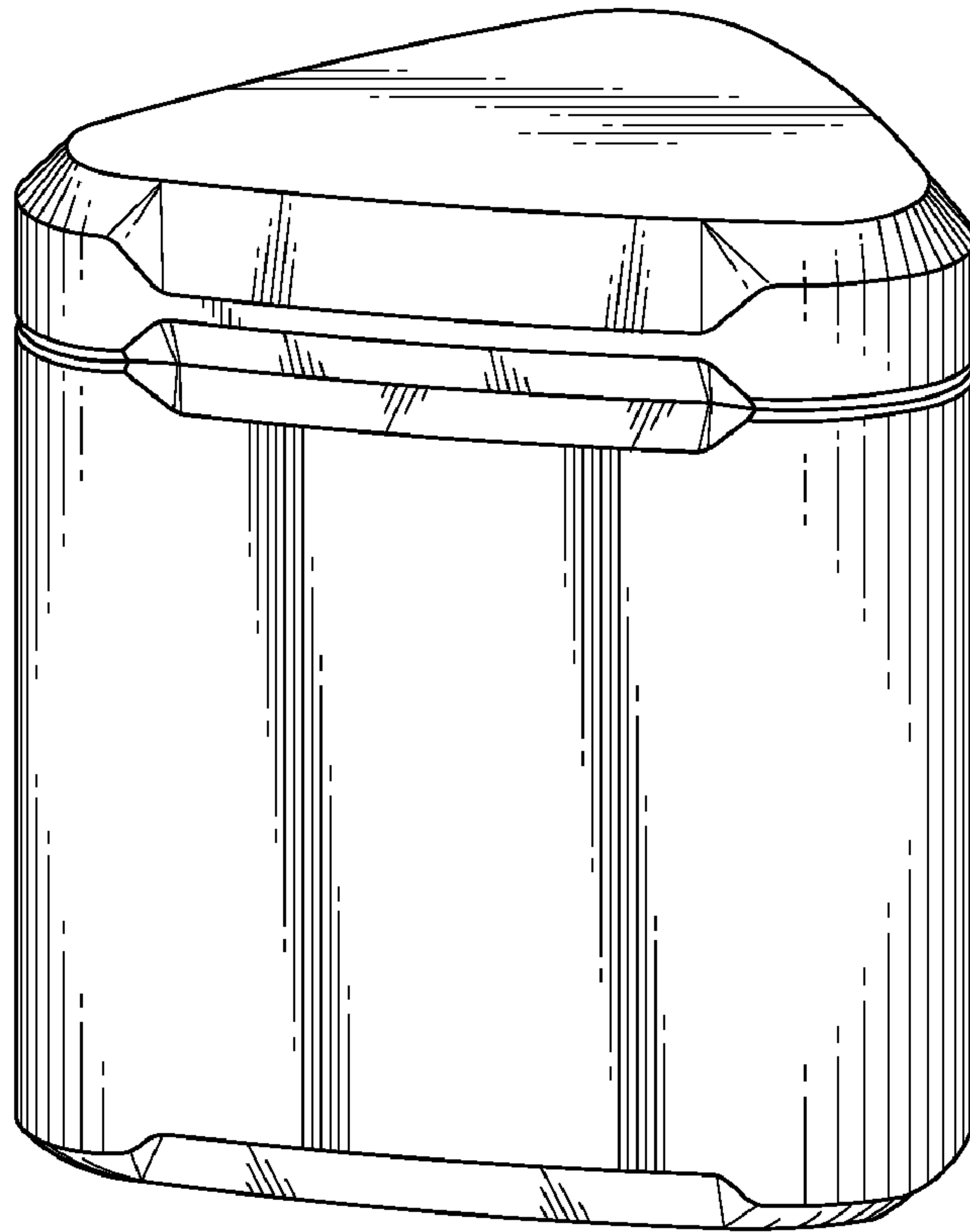


FIG. 2

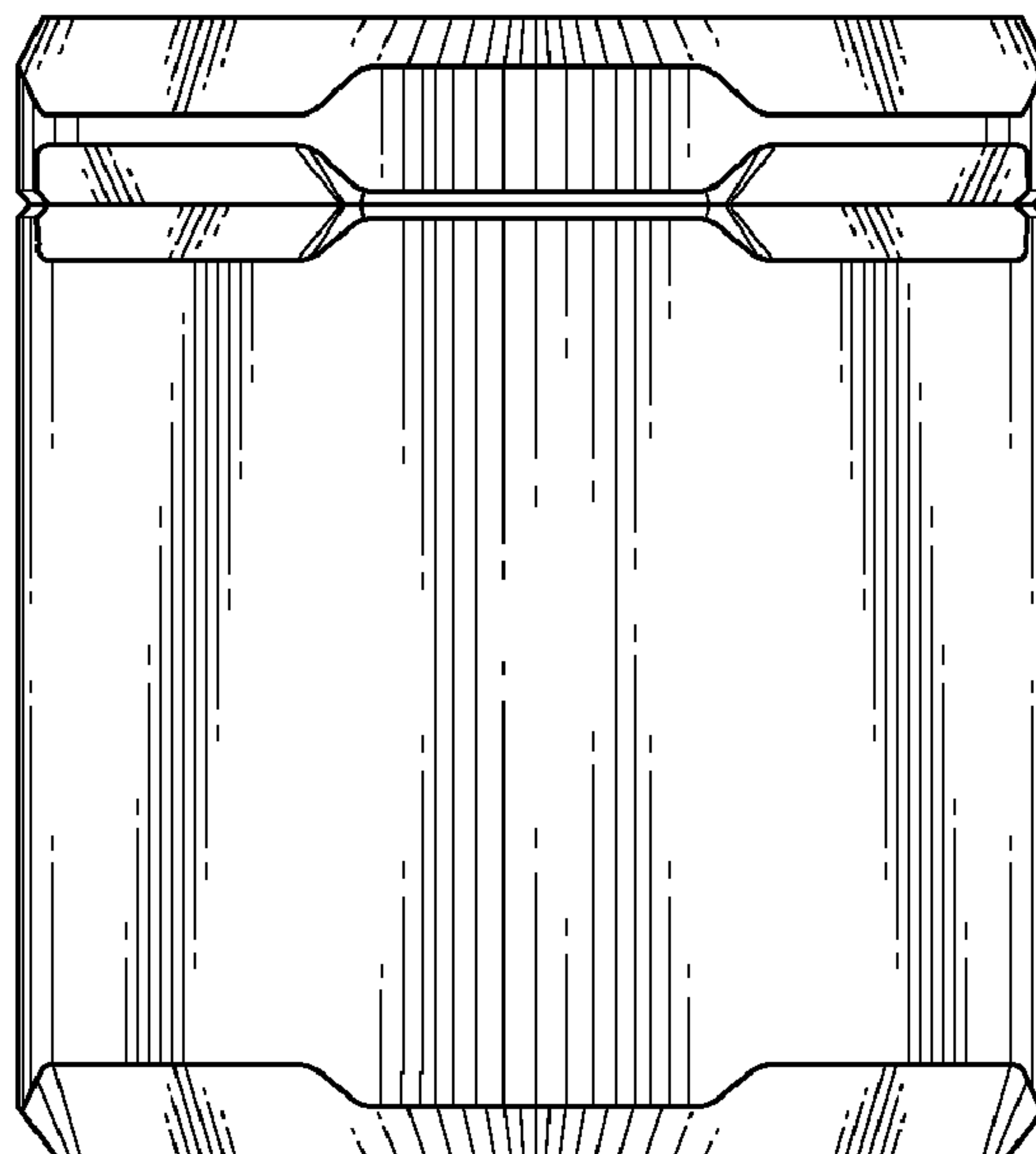


FIG. 3

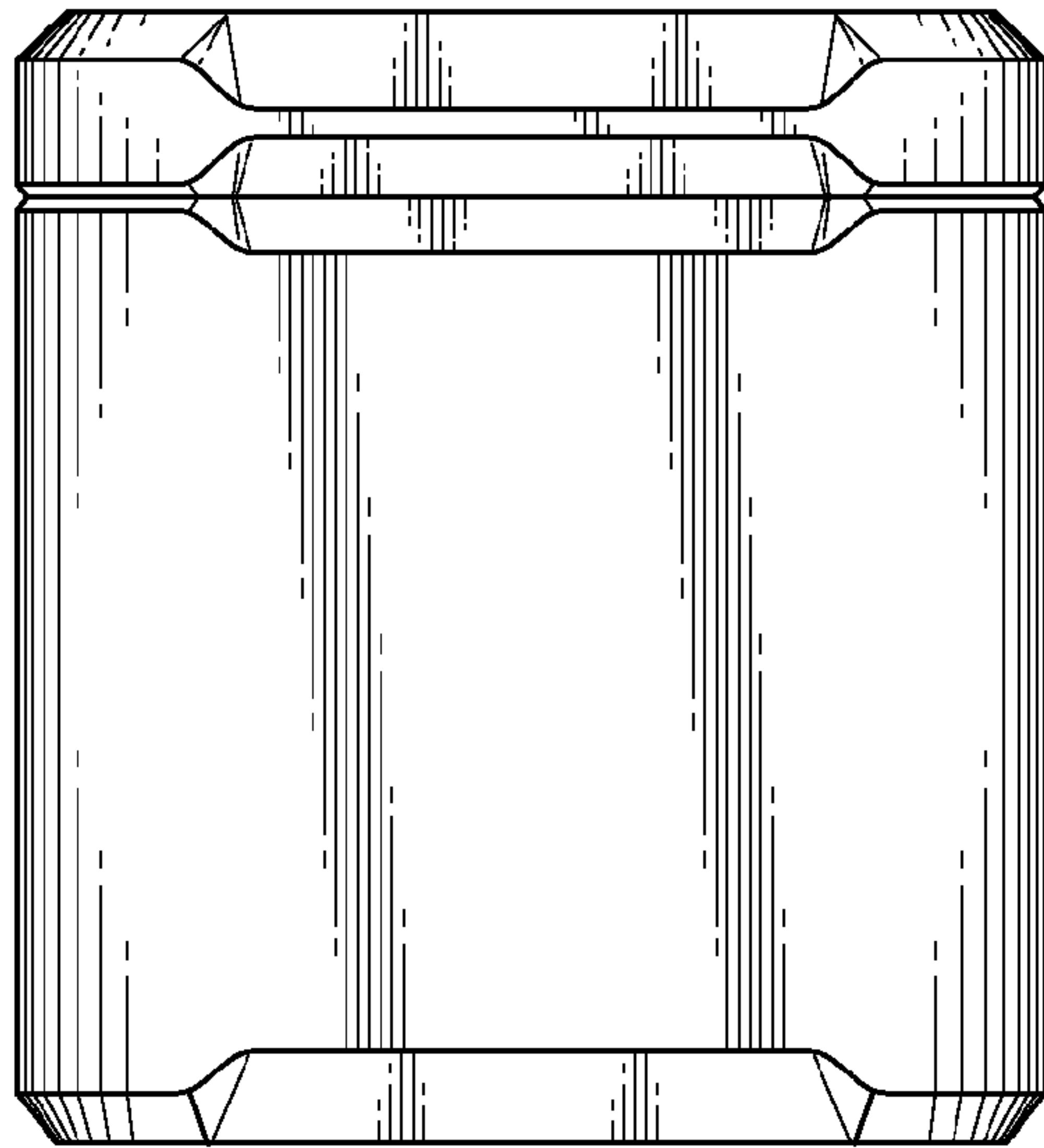


FIG. 4

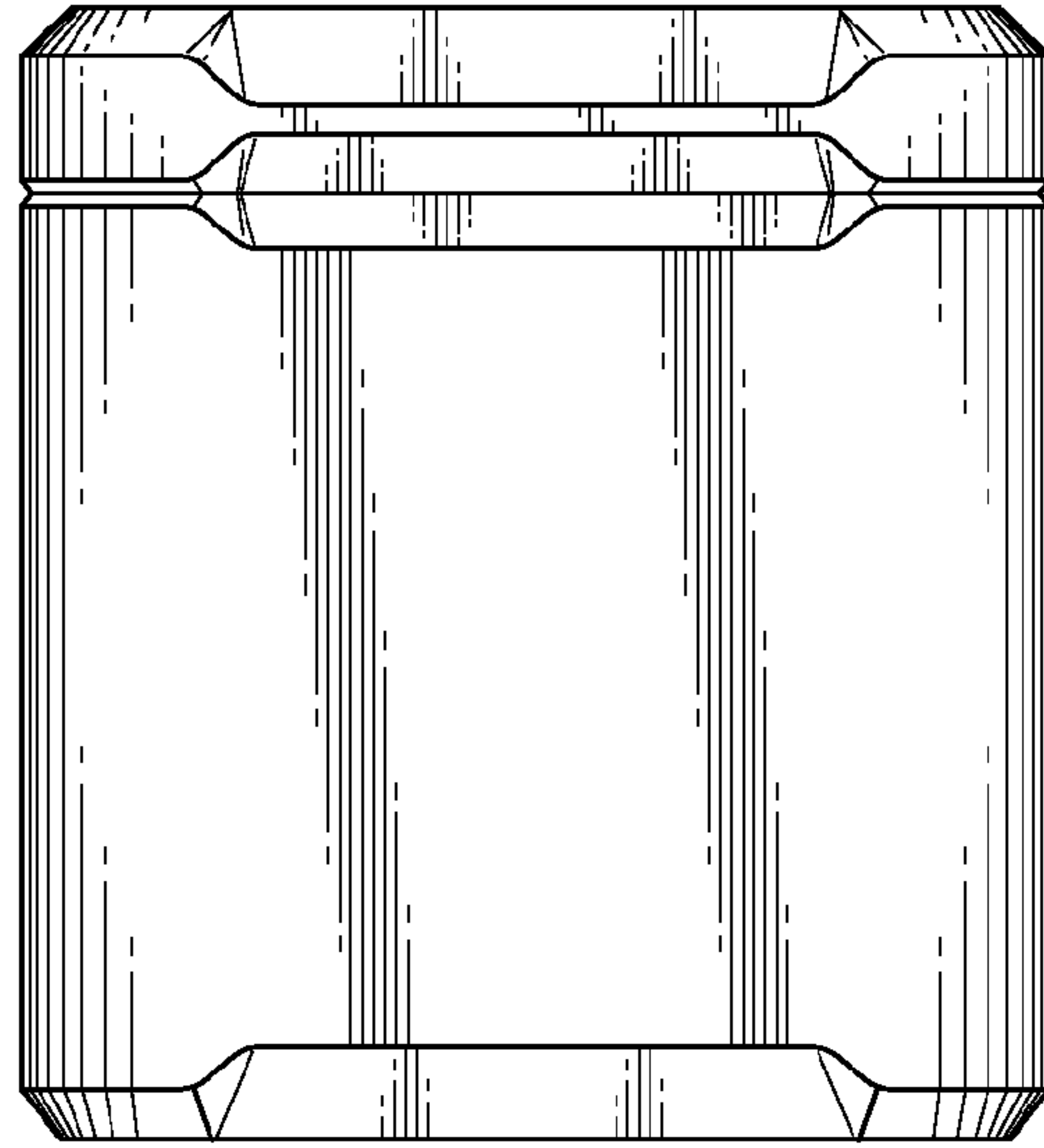


FIG. 5

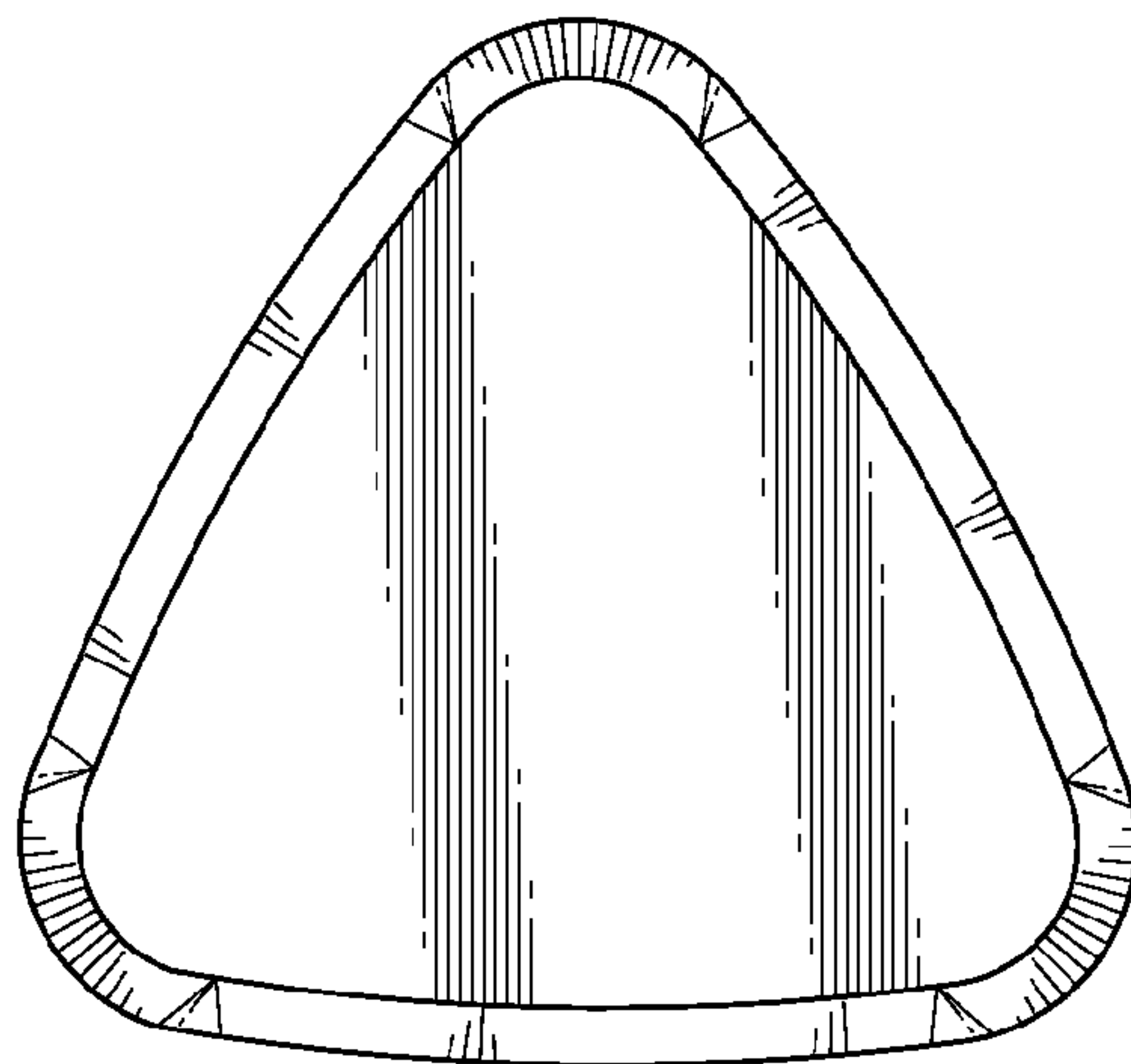


FIG. 6

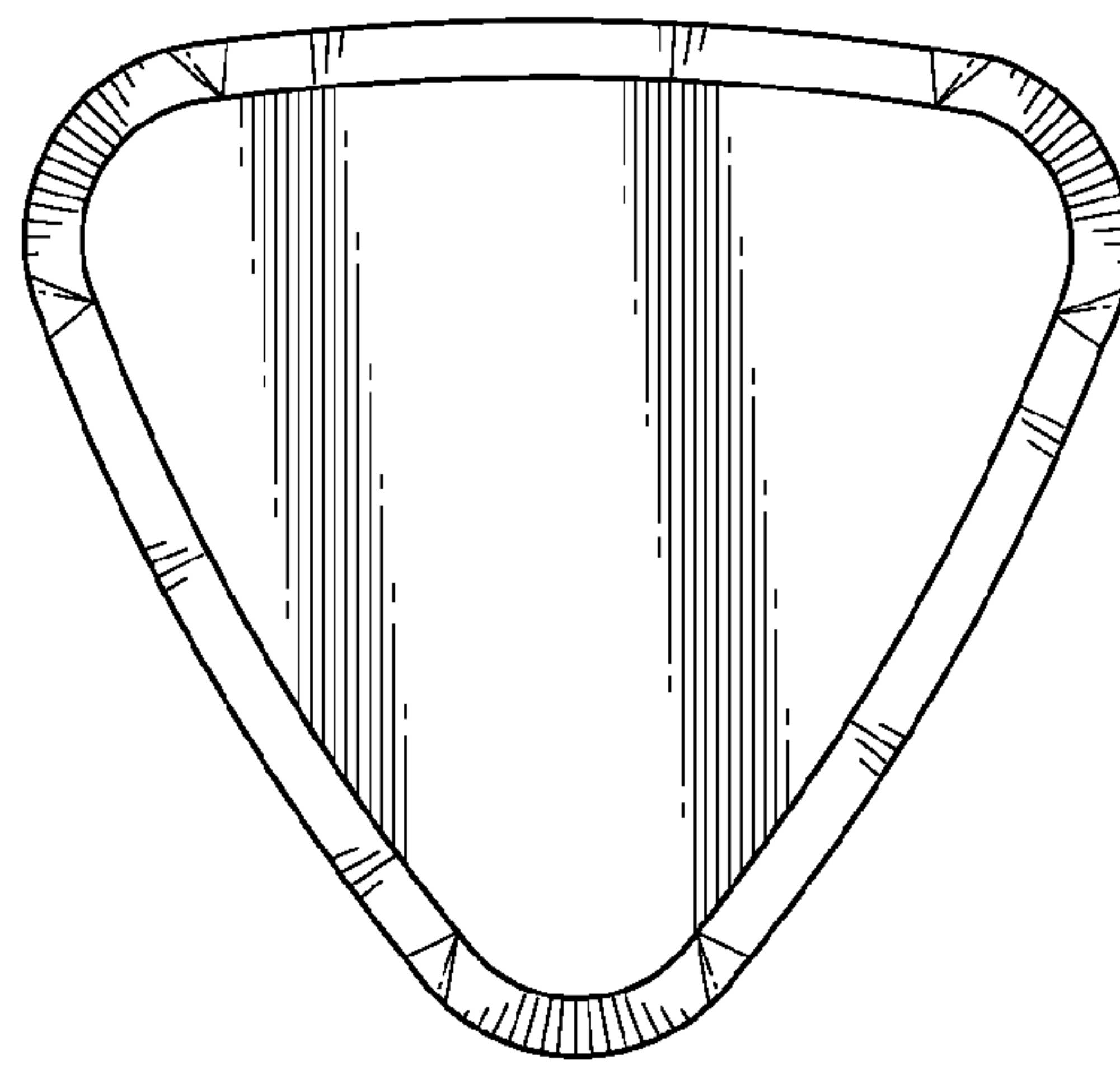


FIG. 7

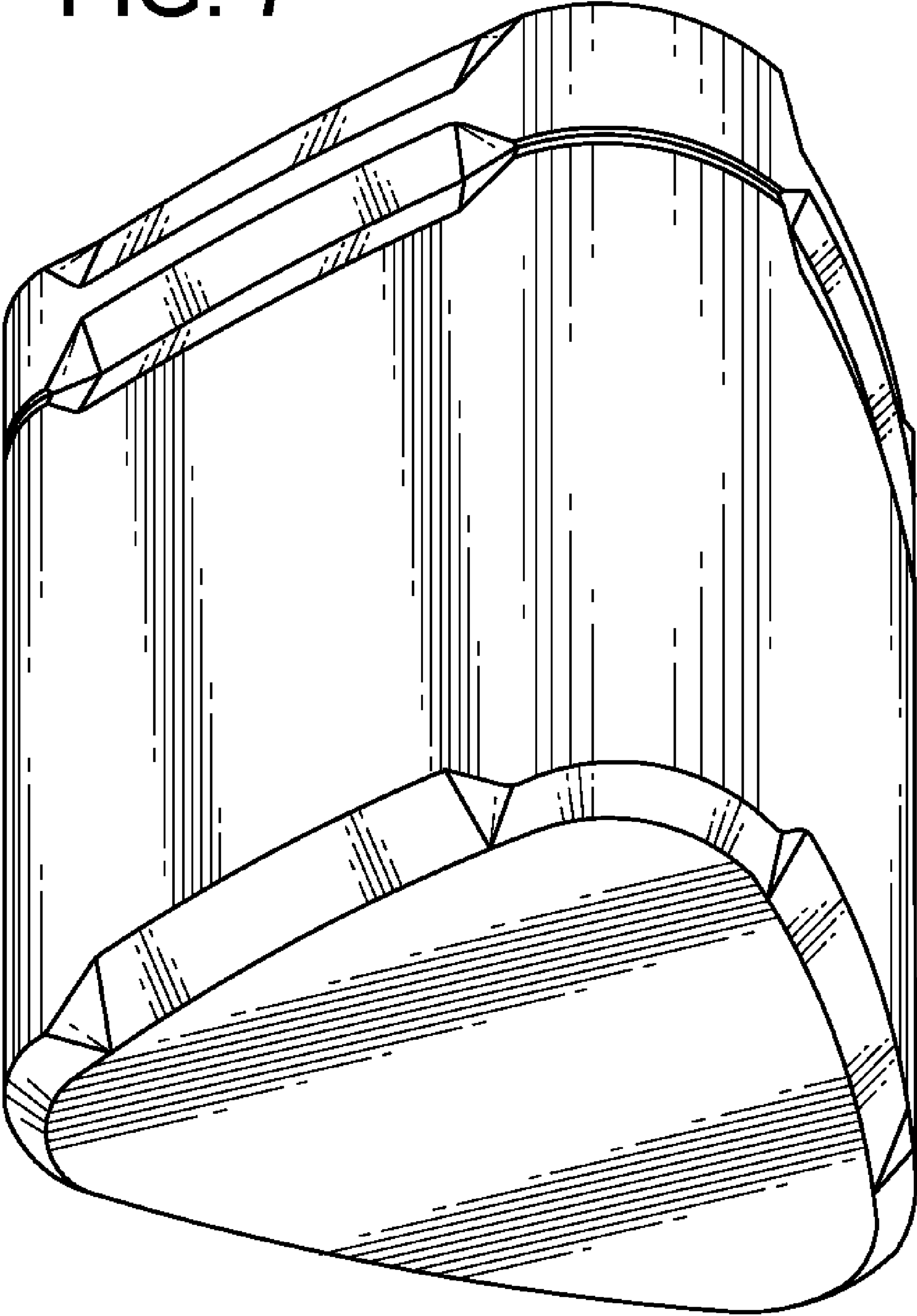


FIG. 8

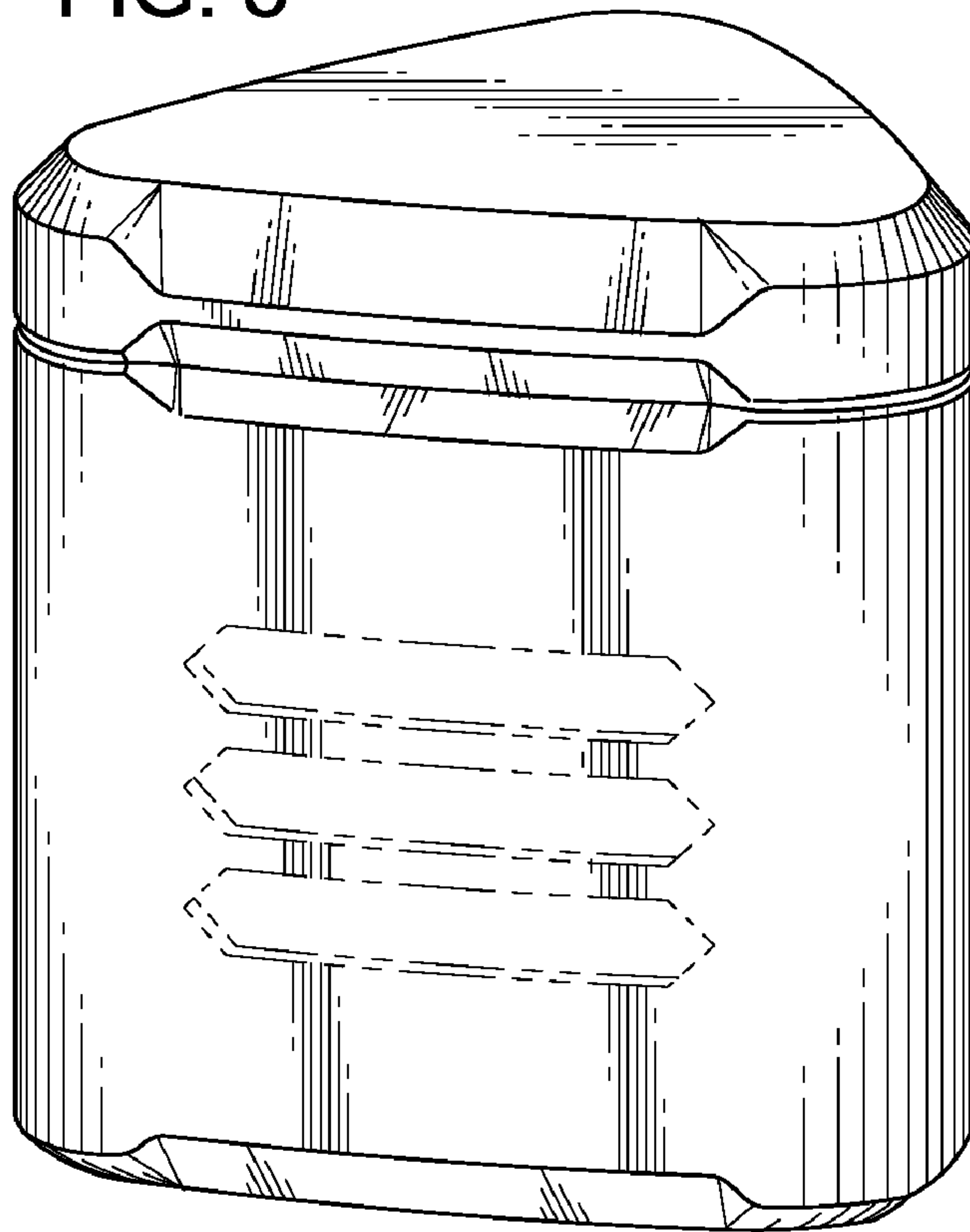


FIG. 9

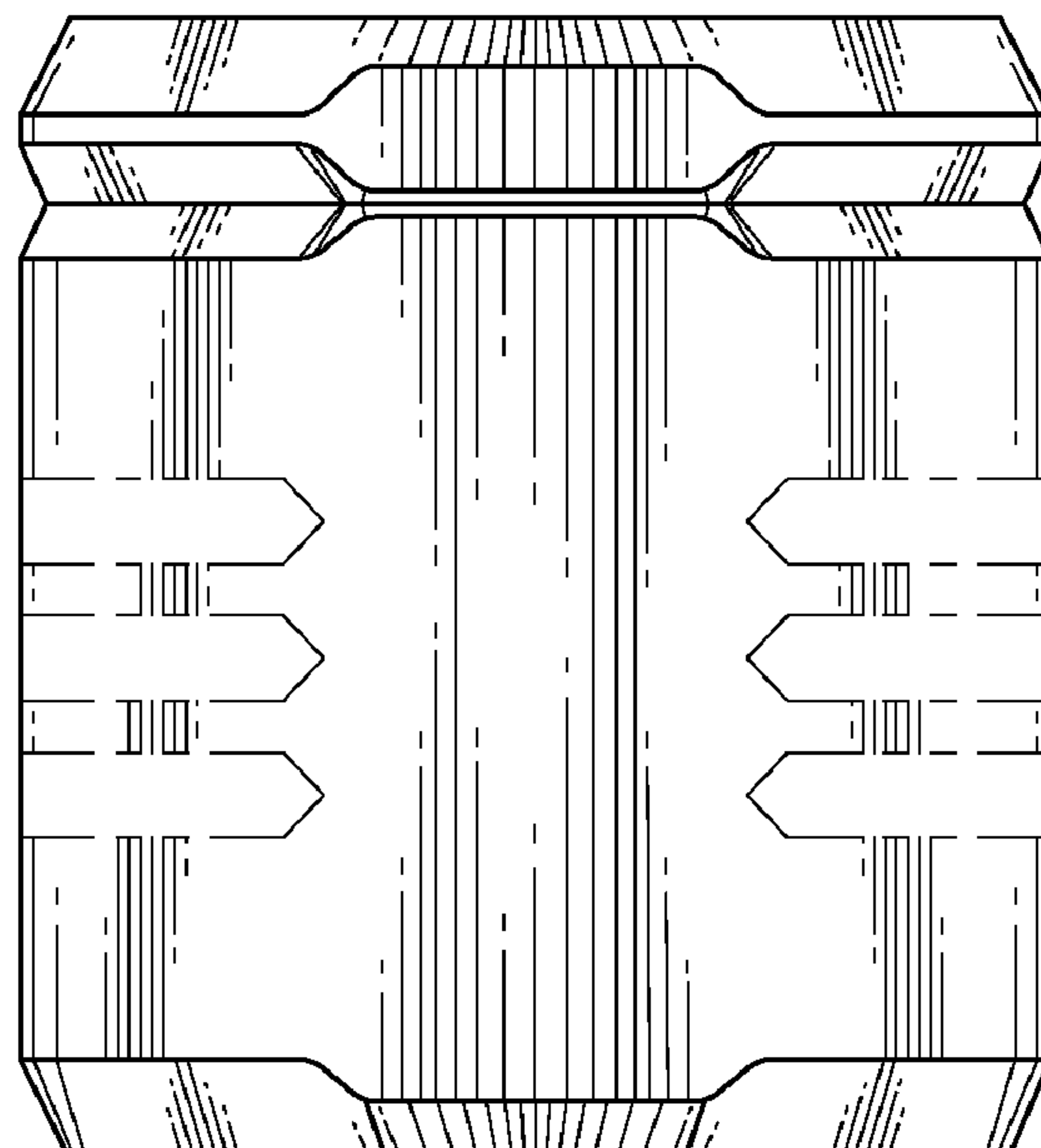


FIG. 10

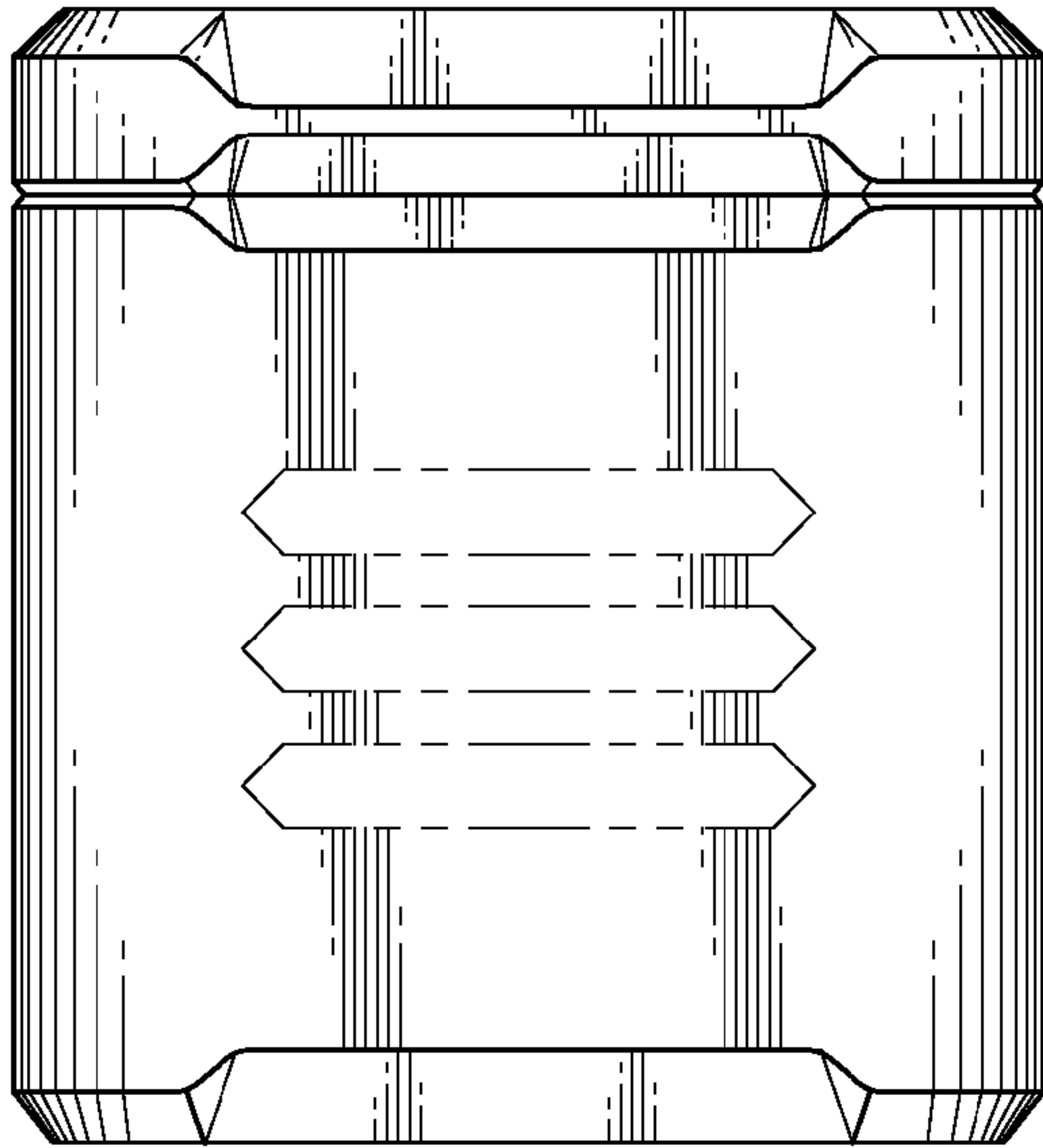


FIG. 11

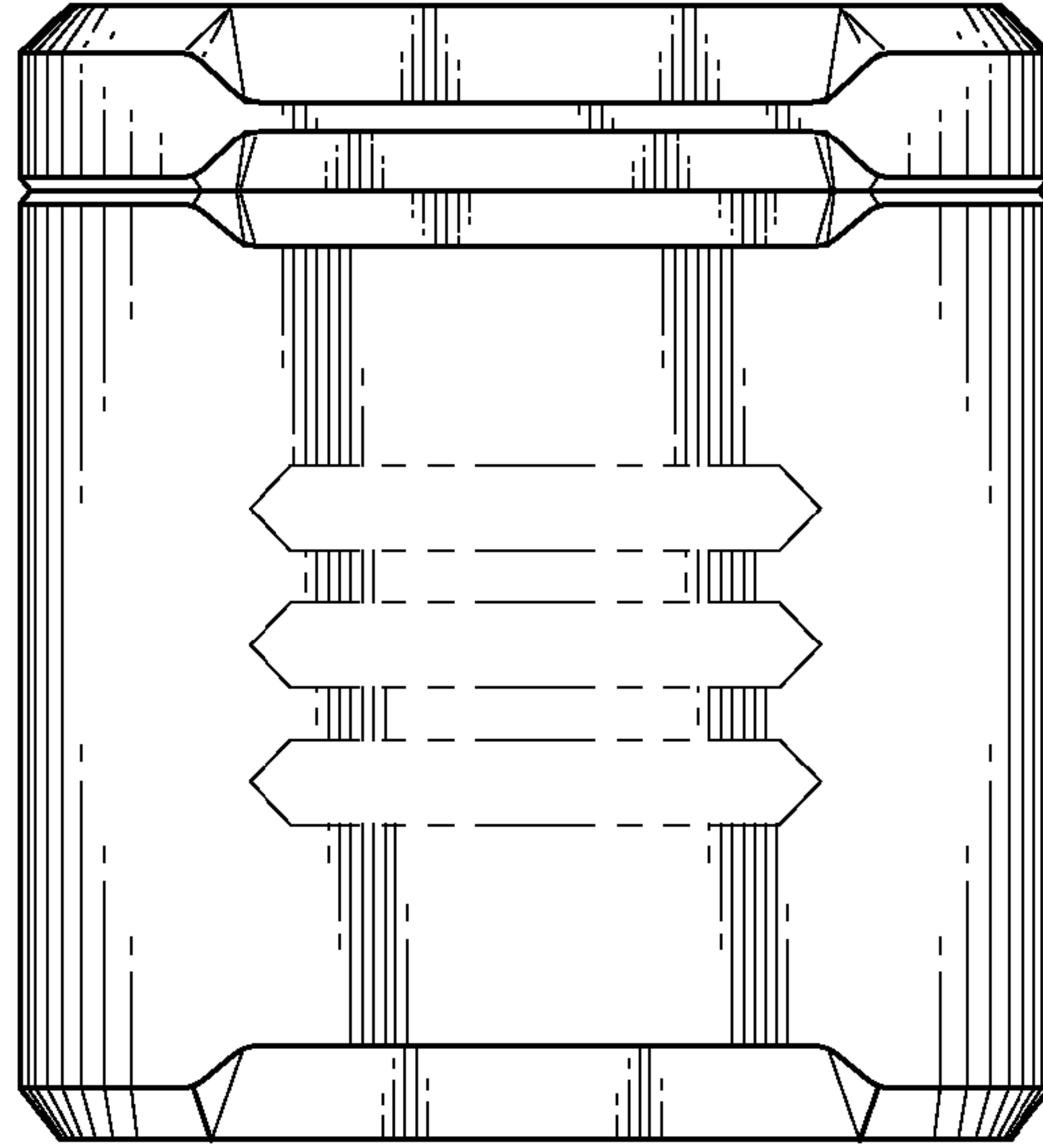


FIG. 12

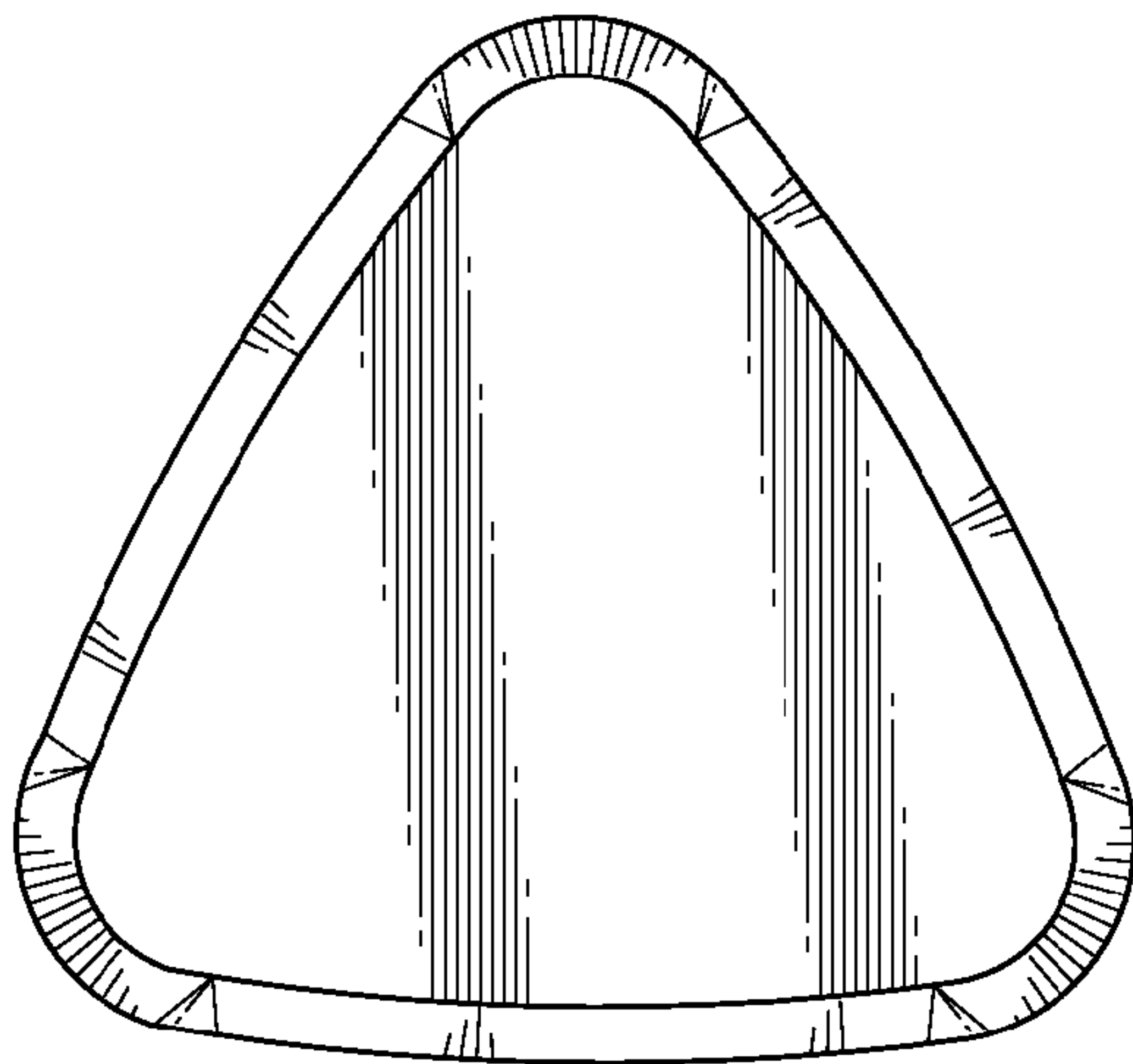


FIG. 13

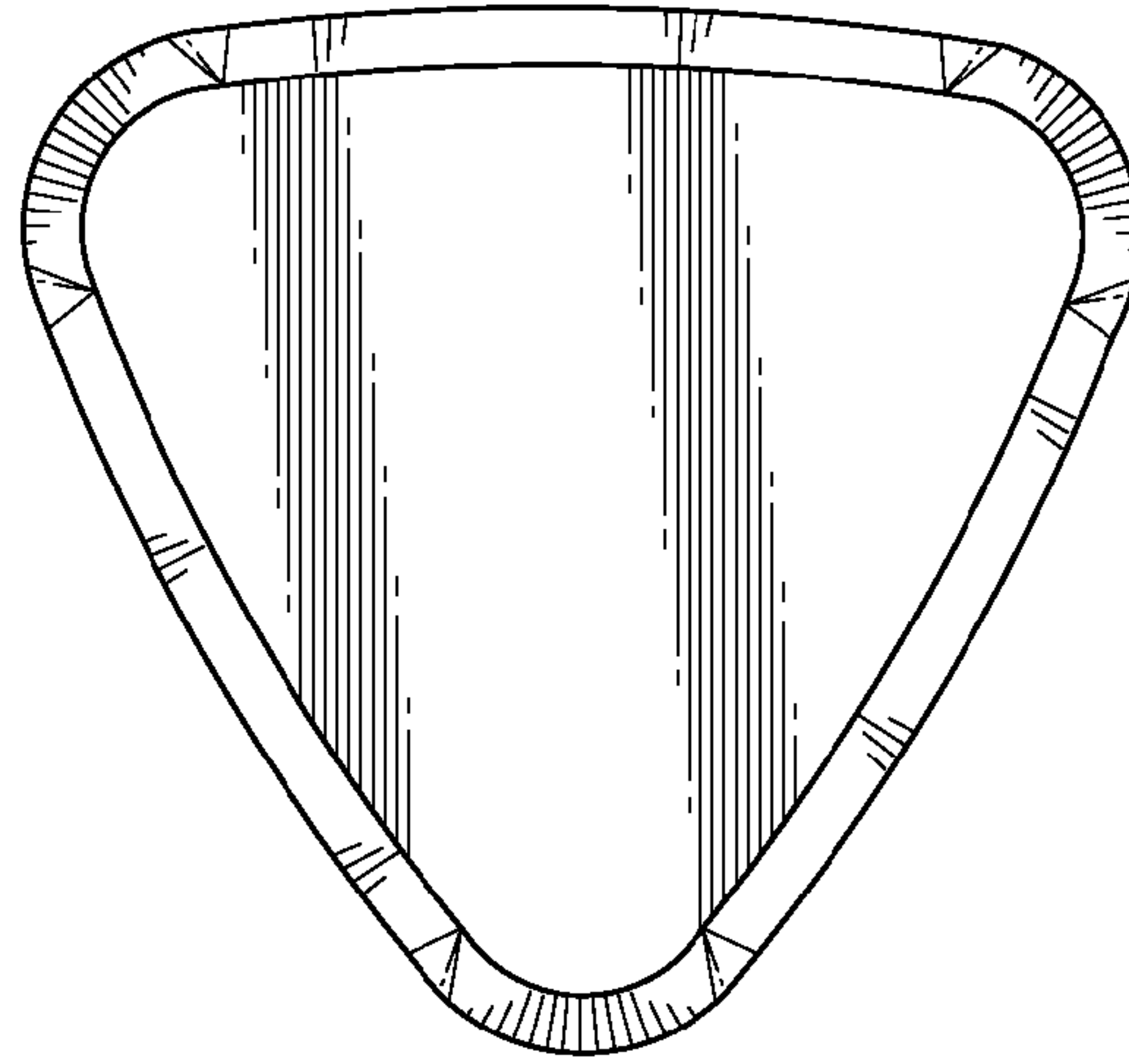


FIG. 14

