

US00D570509S

(12) **United States Design Patent** (10) **Patent No.:** **US D570,509 S**
Logan (45) **Date of Patent:** **** Jun. 3, 2008**

(54) **VEHICLE TURN SIGNAL HOUSING**

JP 61057471 3/1986
JP 63130479 6/1988

(75) Inventor: **Geoffrey B. Logan**, Portland, OR (US)

(73) Assignee: **Bushwacker, Inc.**, Portland, OR (US)

(**) Term: **14 Years**

(21) Appl. No.: **29/292,853**

(22) Filed: **Oct. 29, 2007**

(51) **LOC (8) Cl.** **26-06**

(52) **U.S. Cl.** **D26/28**

(58) **Field of Classification Search** D26/28-36;
362/459-468, 475-478, 485-487

See application file for complete search history.

(56) **References Cited**

U.S. PATENT DOCUMENTS

2,059,305	A	11/1936	Best	
5,238,268	A	8/1993	Logan	
5,340,154	A	8/1994	Scott	
D382,239	S	8/1997	Logan	
5,697,644	A	12/1997	Logan	
5,829,786	A	11/1998	Dahl	
5,879,045	A	3/1999	Logan	
D467,018	S *	12/2002	Shih et al.	D26/28
D472,655	S *	4/2003	Lin	D26/28
D490,176	S *	5/2004	Lin	D26/28
7,044,524	B2	5/2006	Luetze et al.	
D536,809	S *	2/2007	James	D26/28
7,222,884	B2	5/2007	Callan et al.	

FOREIGN PATENT DOCUMENTS

GB 2046183 11/1980

* cited by examiner

Primary Examiner—Marcus A. Jackson

(74) *Attorney, Agent, or Firm*—Dascenzo Intellectual Property Law, P.C.

(57) **CLAIM**

I claim the ornamental design for a vehicle turn signal housing, as shown and described.

DESCRIPTION

FIG. 1 is an isometric view of a vehicle turn signal housing showing the new design.

FIG. 2 is an isometric front view of the new design.

FIG. 3 is a side view of the new design; and,

FIG. 4 is a top view of the new design.

The evenly broken, or dashed, heavy lines shown in the drawings are for illustrative purposes only and form no part of the claimed design.

The shading lines shown in the drawings represent the approximate three-dimensional contour of the design, and are not intended to indicate surface decoration.

No claim is made to the interior surface of the illustrated vehicle turn signal housing.

1 Claim, 2 Drawing Sheets

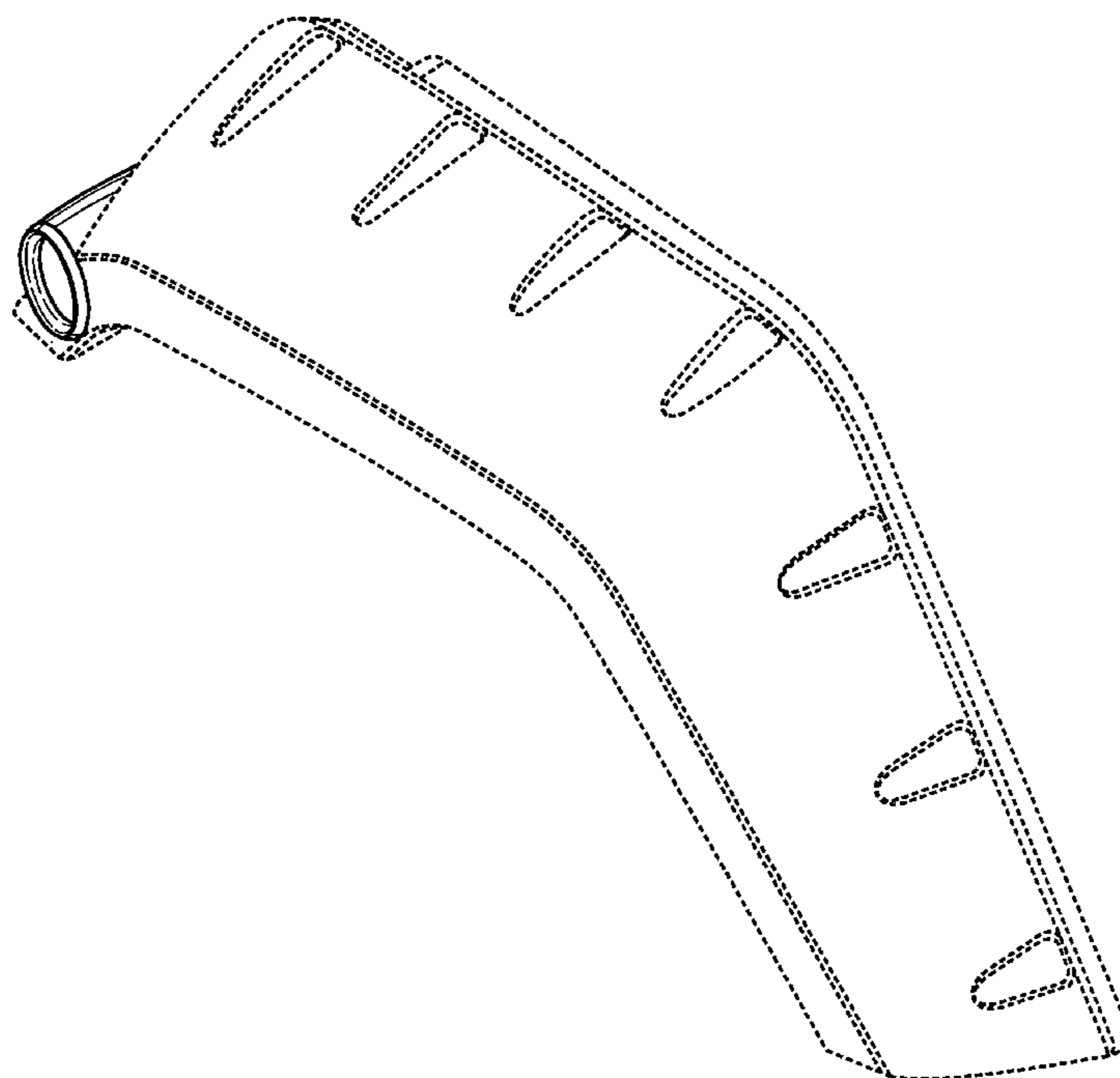


Fig. 1

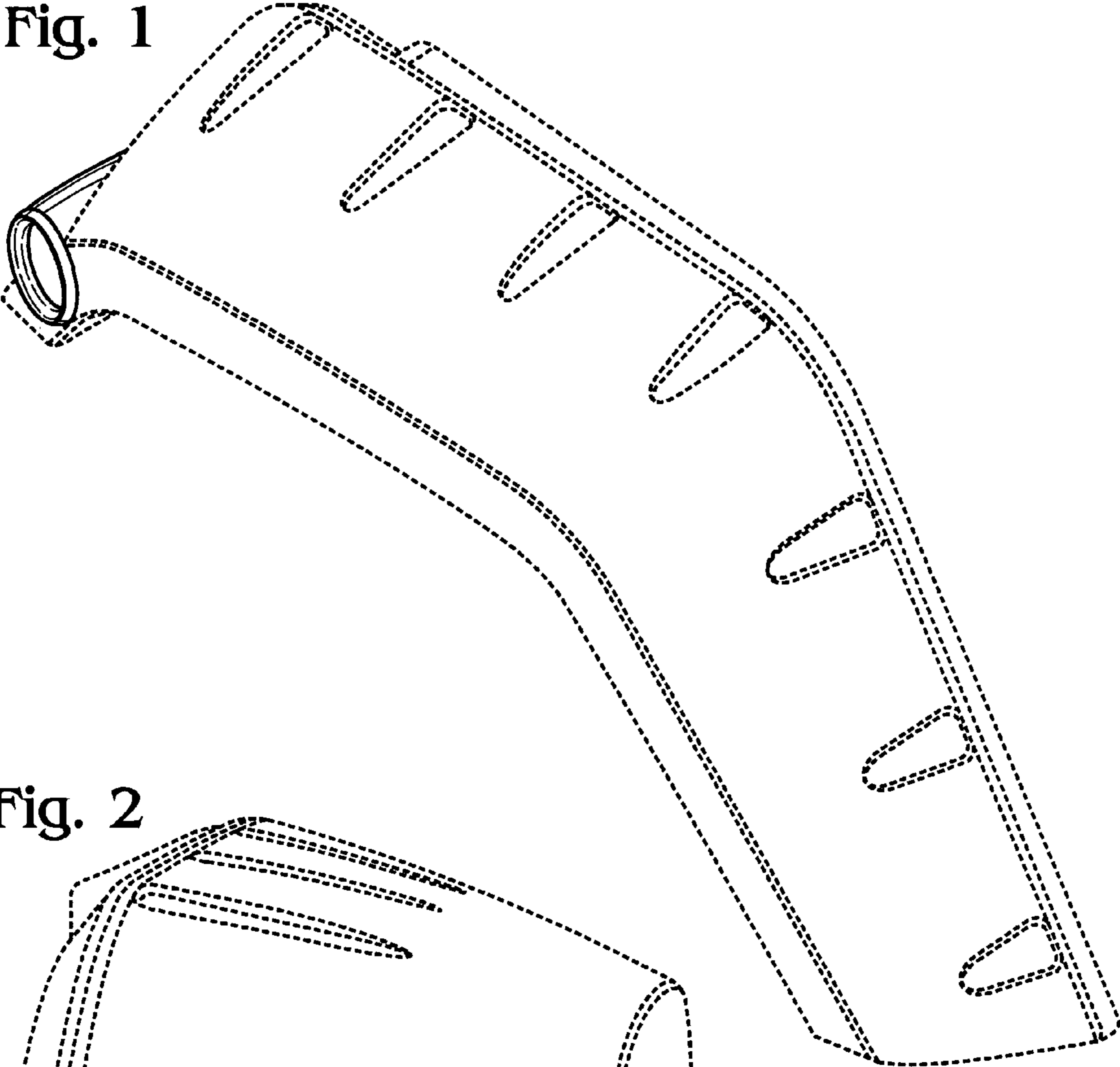
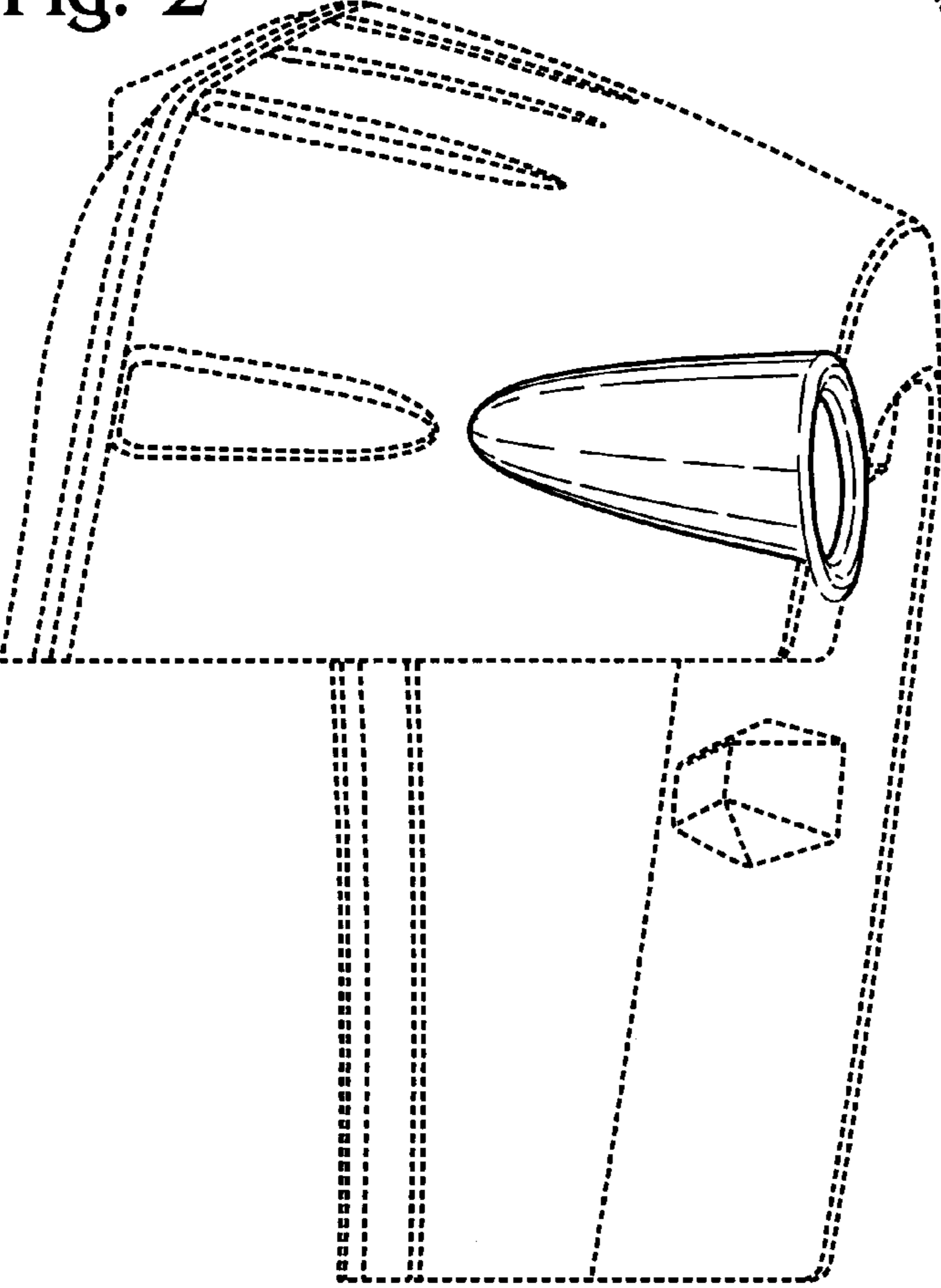


Fig. 2



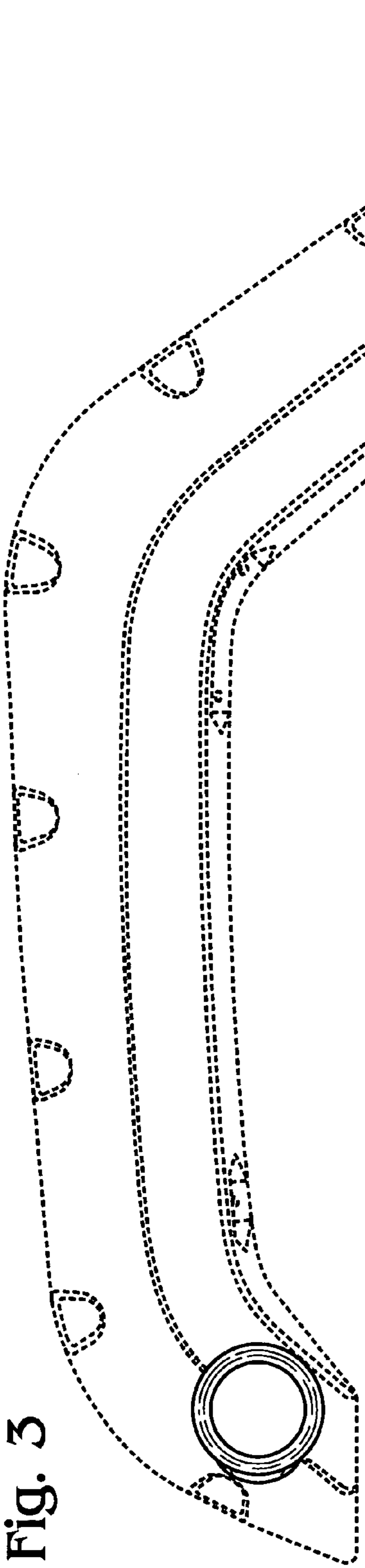


Fig. 3

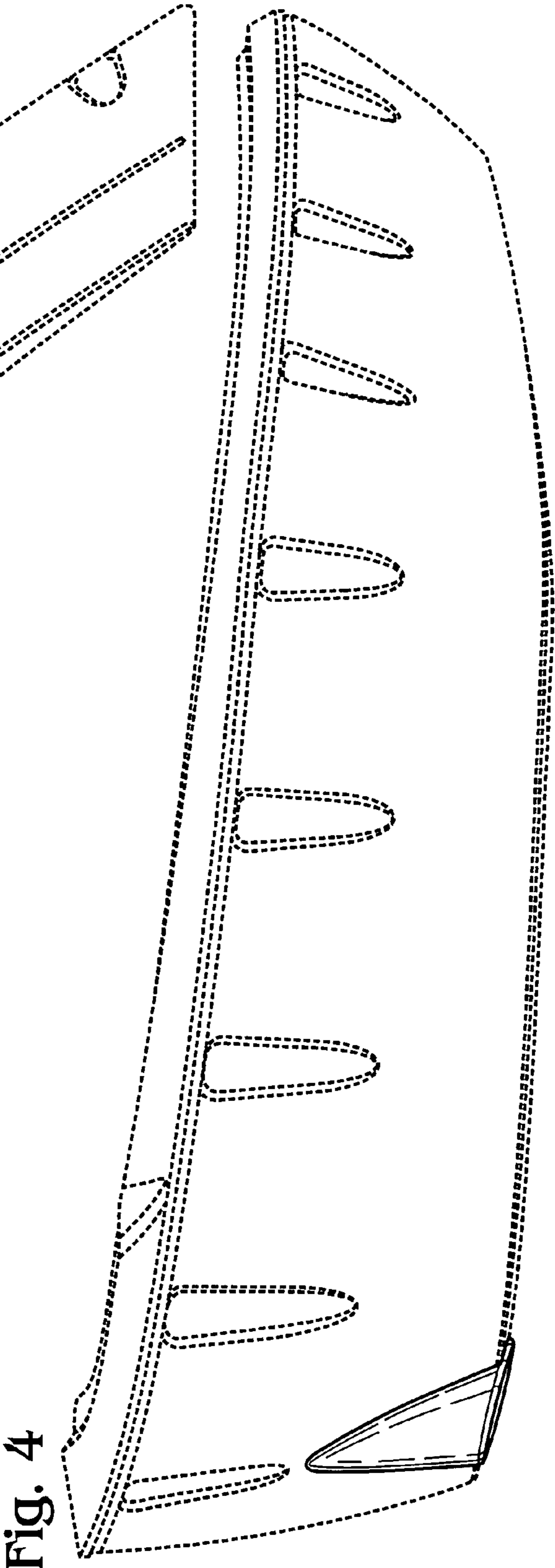


Fig. 4