

US00D570501S

(12) **United States Design Patent**  
**Janesz et al.**

(10) **Patent No.:** **US D570,501 S**  
(45) **Date of Patent:** **\*\* Jun. 3, 2008**

(54) **THRESHOLD**

(75) Inventors: **Ed Janesz**, Westlake, OH (US);  
**Christopher Dudas**, Cleveland, OH  
(US); **Joe McCrone**, Avon, OH (US)

(73) Assignee: **Action Industries**, Cleveland, OH (US)

(\*\*) Term: **14 Years**

(21) Appl. No.: **29/261,688**

(22) Filed: **Jun. 19, 2006**

(51) **LOC (8) Cl.** ..... **25-01**

(52) **U.S. Cl.** ..... **D25/125; D25/119**

(58) **Field of Classification Search** ..... D25/119,  
D25/125; 49/467, 468

See application file for complete search history.

(56) **References Cited**

**U.S. PATENT DOCUMENTS**

|           |      |         |                  |         |
|-----------|------|---------|------------------|---------|
| 226,823   | A    | 4/1880  | Baird            |         |
| 2,837,786 | A    | 6/1958  | Fryar, Jr.       |         |
| 3,475,866 | A    | 11/1969 | Johansen         |         |
| 3,521,404 | A    | 7/1970  | Hager et al.     |         |
| 4,079,550 | A    | 3/1978  | Bursk et al.     |         |
| D253,614  | S    | 12/1979 | Corbin           |         |
| 4,686,793 | A    | 8/1987  | Mills            |         |
| D340,534  | S    | 10/1993 | McConnell et al. |         |
| D423,121  | S *  | 4/2000  | Siudzinski       | D25/125 |
| D474,845  | S *  | 5/2003  | Babka et al.     | D25/119 |
| 6,789,358 | B2 * | 9/2004  | Procton et al.   | 49/471  |

\* cited by examiner

*Primary Examiner*—Doris Clark

(74) *Attorney, Agent, or Firm*—Calfee, Halter & Griswold  
LLP

(57) **CLAIM**

We claim the ornamental design for a threshold, as shown and described.

**DESCRIPTION**

FIG. 1 is a perspective view of a threshold that is a first embodiment of the new design;

FIG. 2 is a first end view of the threshold of FIG. 1, the opposite end being a mirror image;

FIG. 3 is a top view of the threshold of FIG. 1;

FIG. 4 is a front view of the threshold of FIG. 1;

FIG. 5 is a back view of the threshold of FIG. 1;

FIG. 6 is a bottom view of the threshold of FIG. 1;

FIG. 7 is a perspective view of a second embodiment of a threshold of the new design;

FIG. 8 is a first end view of the threshold, the opposite end being a mirror image;

FIG. 9 is a top view of the threshold;

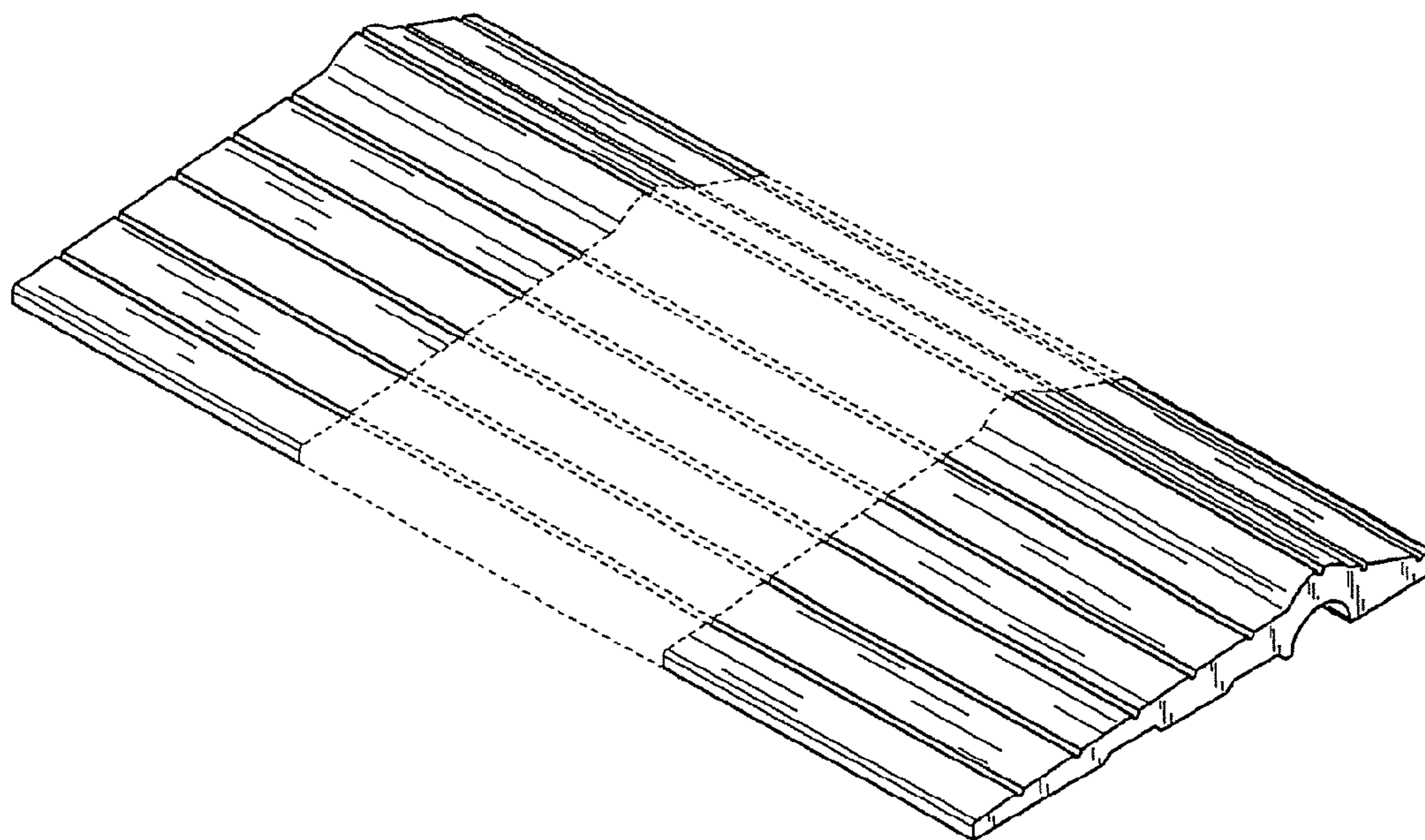
FIG. 10 is a front view of the threshold;

FIG. 11 is a back view of the threshold; and,

FIG. 12 is a bottom view of the threshold.

Articles embodying the invention may be of different lengths. Some of the articles shown in the drawings are shown with portions in dashed lines, in order to make the remaining portions of the articles large enough in scale so that when they are illustrated in the drawings the invention is clear. The portions of the articles that are shown in dashed lines are of indeterminate length and are identical in appearance to the portions that are shown in solid lines.

**1 Claim, 6 Drawing Sheets**



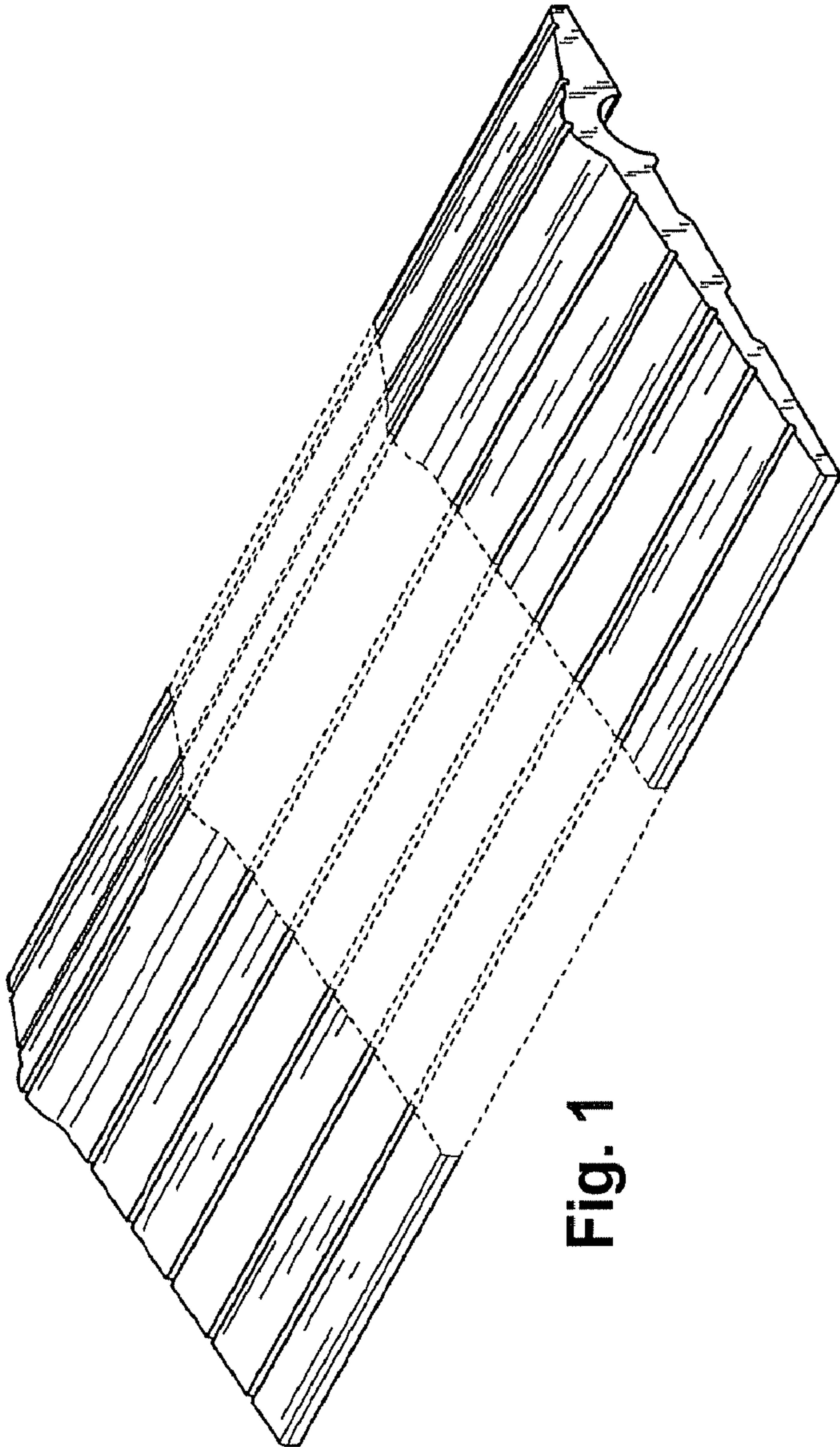


Fig. 1



Fig. 2

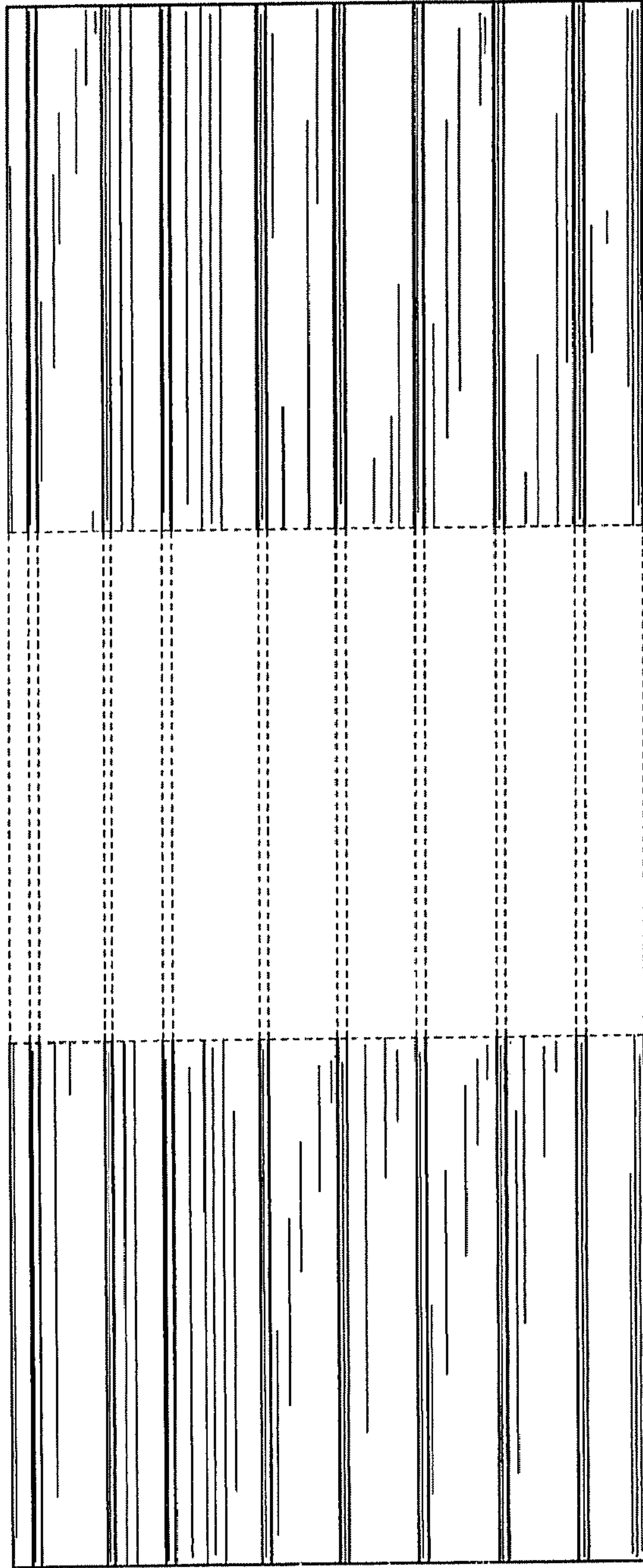


Fig. 3

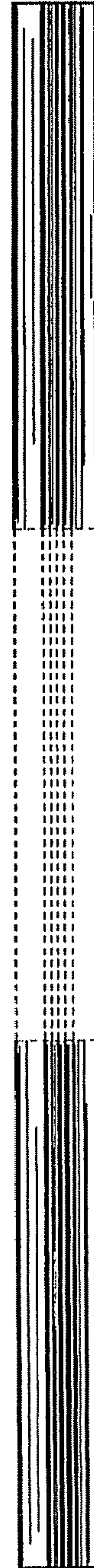


Fig. 4



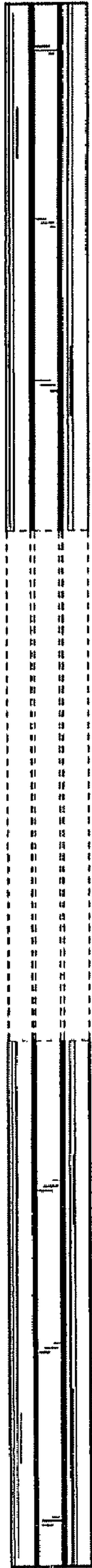


Fig. 5

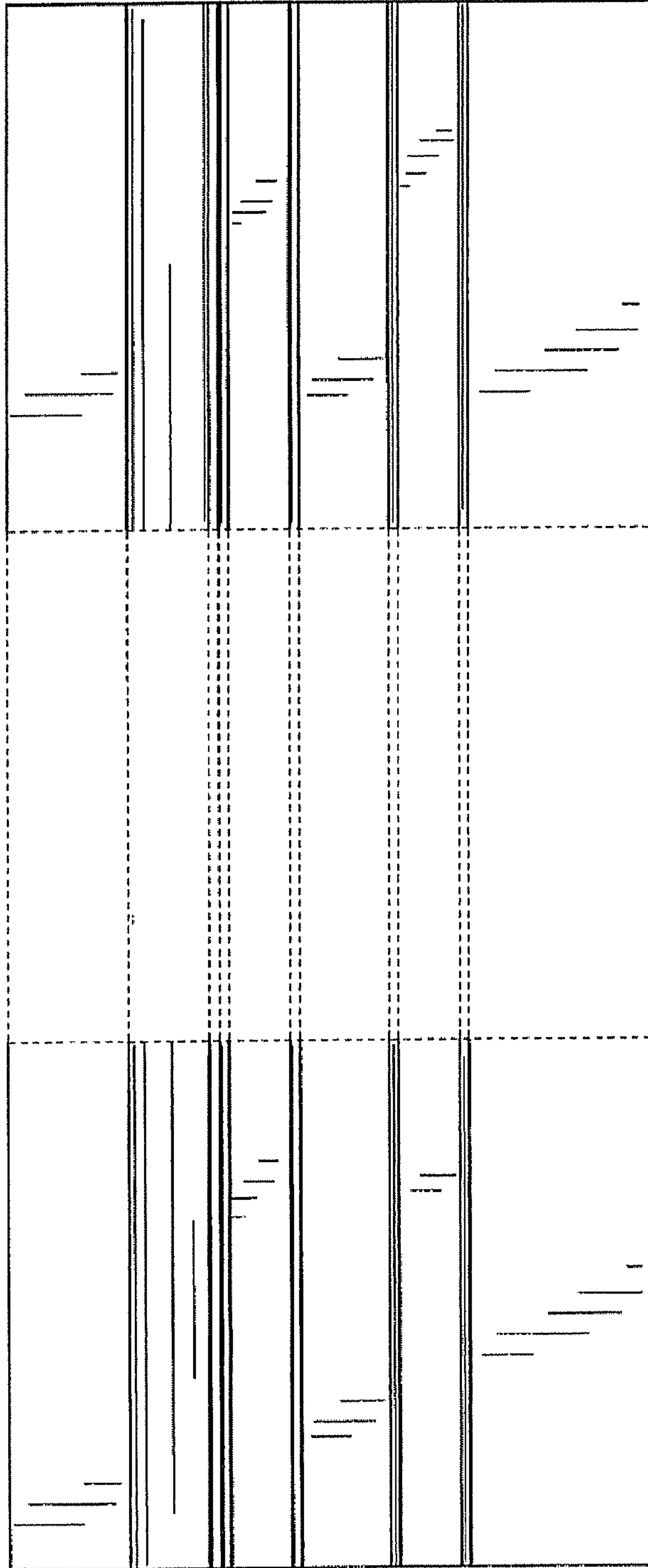


Fig. 6

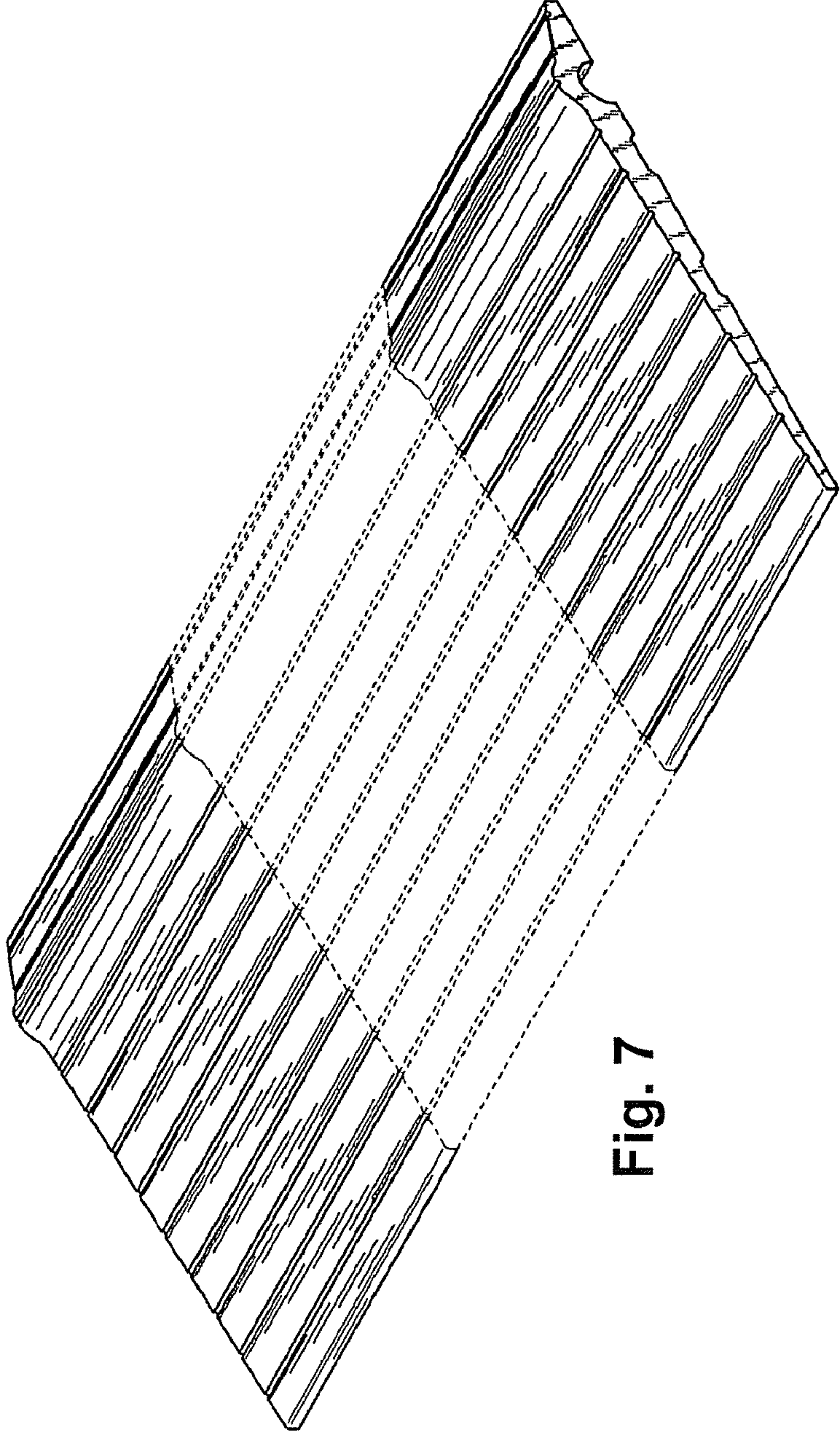


Fig. 7



Fig. 8

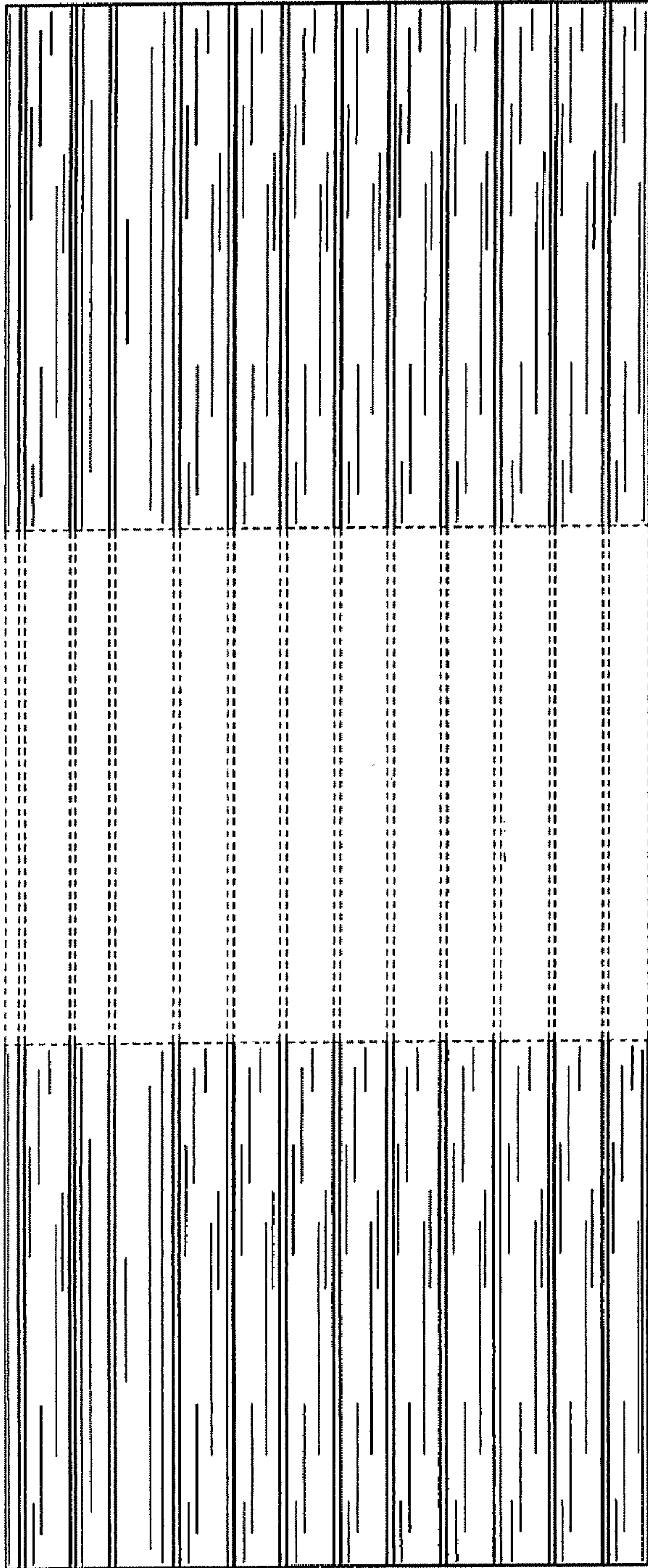


Fig. 9



Fig. 10





Fig. 11

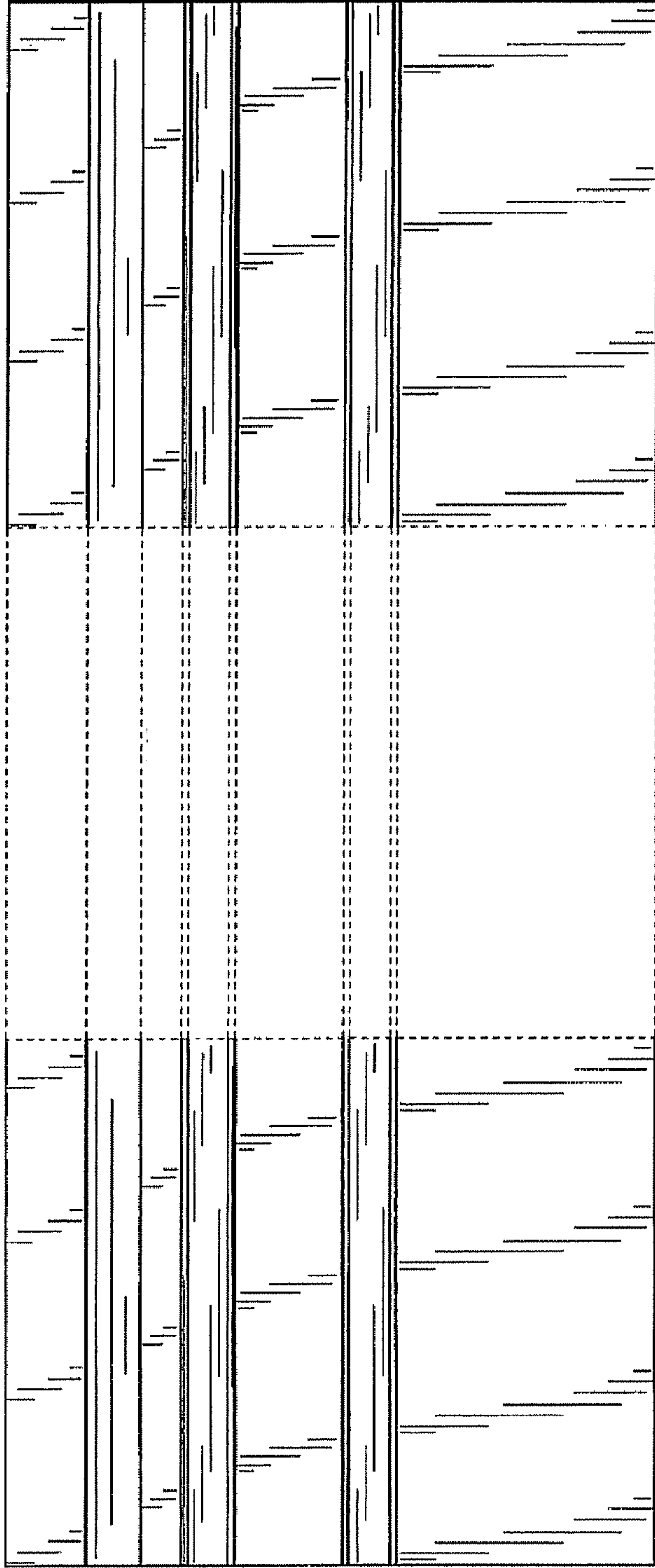


Fig. 12