

US00D570500S

(12) **United States Design Patent**  
**Siemens**

(10) **Patent No.:** **US D570,500 S**

(45) **Date of Patent:** **\*\* Jun. 3, 2008**

(54) **POST EXTRUSION**

(75) **Inventor:** **Peter F. Siemens**, Abbotsford (CA)

(73) **Assignee:** **Alco Ventures Inc**, Langley, British Columbia (CA)

(\*\*) **Term:** **14 Years**

(21) **Appl. No.:** **29/254,857**

(22) **Filed:** **Mar. 2, 2006**

(30) **Foreign Application Priority Data**

Feb. 27, 2006 (CA) ..... 114761

(51) **LOC (8) Cl.** ..... **25-01**

(52) **U.S. Cl.** ..... **D25/122**

(58) **Field of Classification Search** ..... D25/126,  
D25/122; 256/19, 22, 65.01, 65.14, 65.11,  
256/65.02, DIG. 5, 33, 34; 52/301, 720.1,  
52/745.17

See application file for complete search history.

(56) **References Cited**

**U.S. PATENT DOCUMENTS**

D174,201 S \* 3/1955 Tedaldi et al. .... D25/126

|                |         |                    |         |
|----------------|---------|--------------------|---------|
| 3,282,006 A *  | 11/1966 | Halsey et al. .... | 52/781  |
| 4,193,584 A *  | 3/1980  | Wieser .....       | 256/19  |
| 4,463,057 A *  | 7/1984  | Knurr .....        | 428/595 |
| 4,542,885 A *  | 9/1985  | Rossiter .....     | 256/69  |
| 5,480,126 A *  | 1/1996  | Teasdale .....     | 256/19  |
| 5,938,184 A *  | 8/1999  | DeSouza .....      | 256/19  |
| 6,254,064 B1 * | 7/2001  | Gibbs .....        | 256/22  |
| D474,286 S *   | 5/2003  | Gregori .....      | D25/122 |
| D503,484 S *   | 3/2005  | Deleu .....        | D25/122 |

\* cited by examiner

*Primary Examiner*—Doris Clark

(74) *Attorney, Agent, or Firm*—Oyen Wiggs Green & Mutala LLP

(57) **CLAIM**

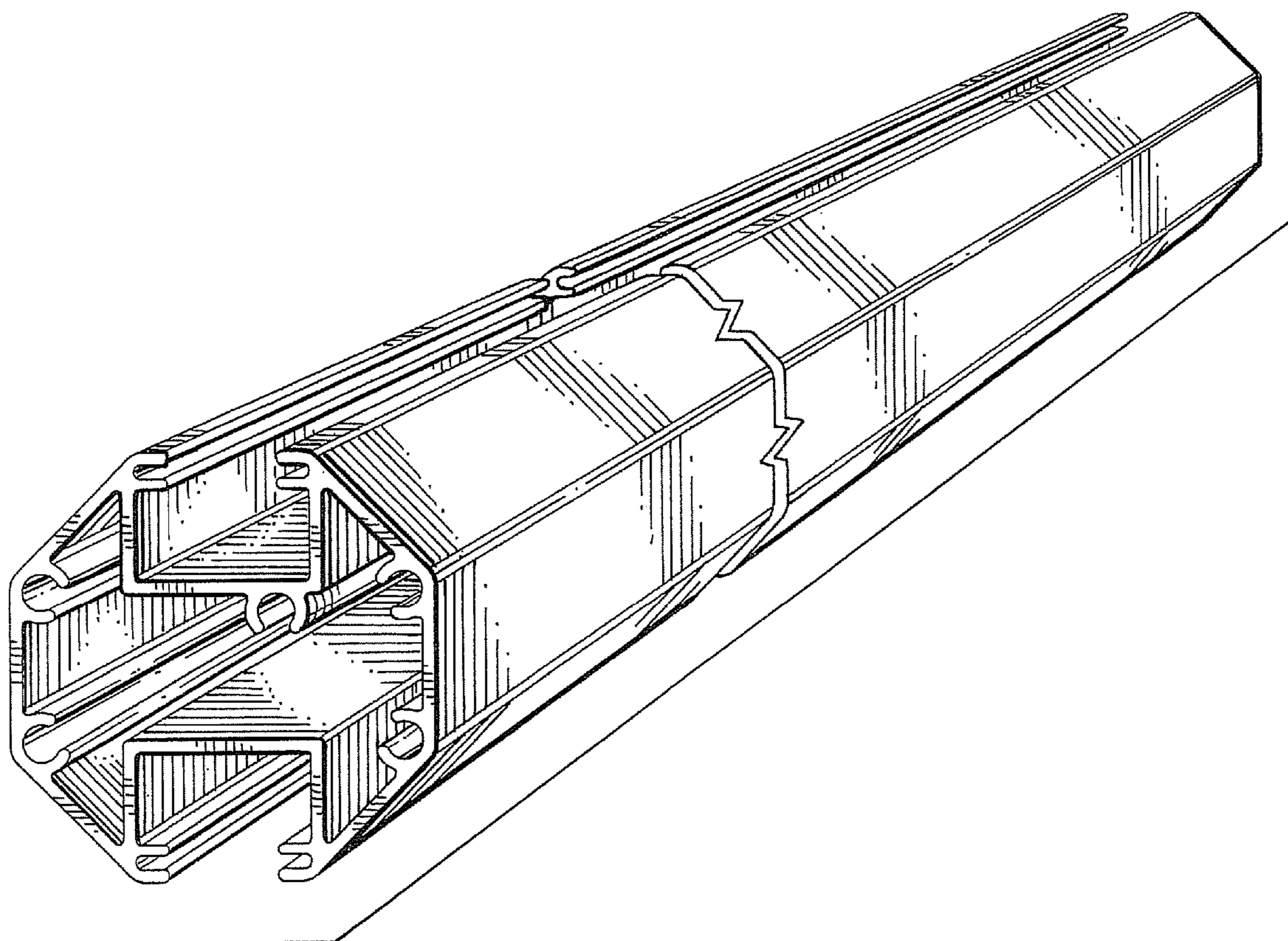
The ornamental design for a post extrusion, as shown and described.

**DESCRIPTION**

FIG. 1 is a perspective view of the post extrusion; and, FIG. 2 is an end elevation view thereof.

The claimed design is illustrated broken to disclose indeterminate length.

**1 Claim, 1 Drawing Sheet**



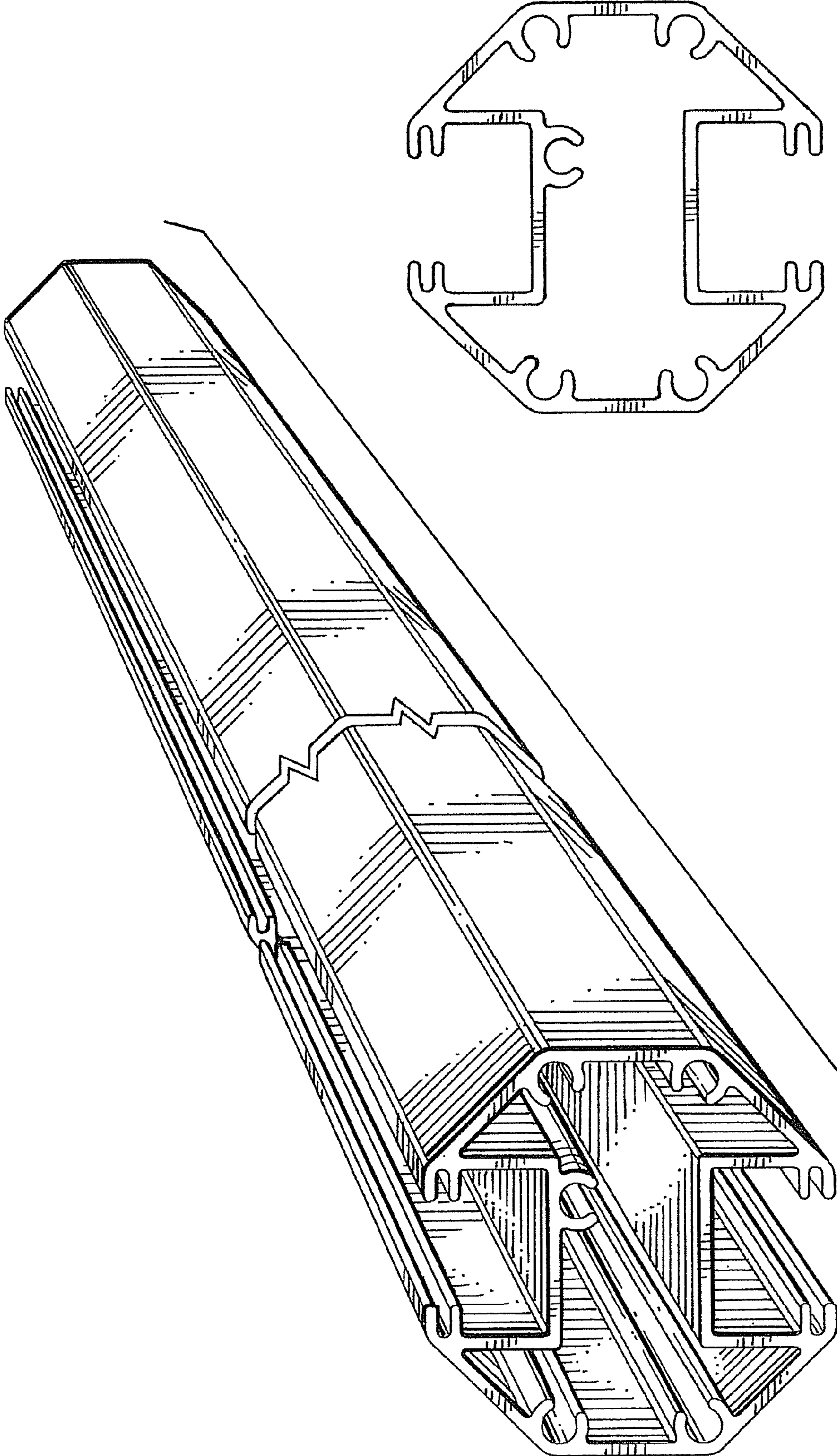


FIG. 2

FIG. 1