



US00D570497S

(12) **United States Design Patent**  
**Foulke**

(10) **Patent No.:** **US D570,497 S**

(45) **Date of Patent:** **\*\* Jun. 3, 2008**

(54) **LADDER CAP**

(76) Inventor: **Douglas Foulke**, 1548 Elephant Rd.,  
Perkasie, PA (US) 18944

(\*\*) Term: **14 Years**

(21) Appl. No.: **29/278,614**

(22) Filed: **Apr. 4, 2007**

(51) **LOC (8) Cl.** ..... **25-04**

(52) **U.S. Cl.** ..... **D25/68**

(58) **Field of Classification Search** ..... D25/68;  
182/70, 106, 48; D3/201

See application file for complete search history.

(56) **References Cited**

U.S. PATENT DOCUMENTS

D260,576 S *	9/1981	Roberdeaux	.....	D25/68
4,726,446 A *	2/1988	Perbix	.....	182/46
D334,240 S	3/1993	Huffine		
D395,522 S	6/1998	Roberts		
6,364,057 B1 *	4/2002	Cornejo et al.	.....	182/106
2004/0154865 A1 *	8/2004	Woodward	.....	182/108

\* cited by examiner

*Primary Examiner*—Doris Clark

(74) *Attorney, Agent, or Firm*—Gregory J. Gore

(57) **CLAIM**

The ornamental design for a ladder cap, as shown and described.

**DESCRIPTION**

FIG. 1 is a top right front perspective view of the ladder cap of the invention with the ladder shown in phantom;

FIG. 2 is a top right side rear perspective view thereof;

FIG. 3 is a front view thereof;

FIG. 4 is a rear view thereof;

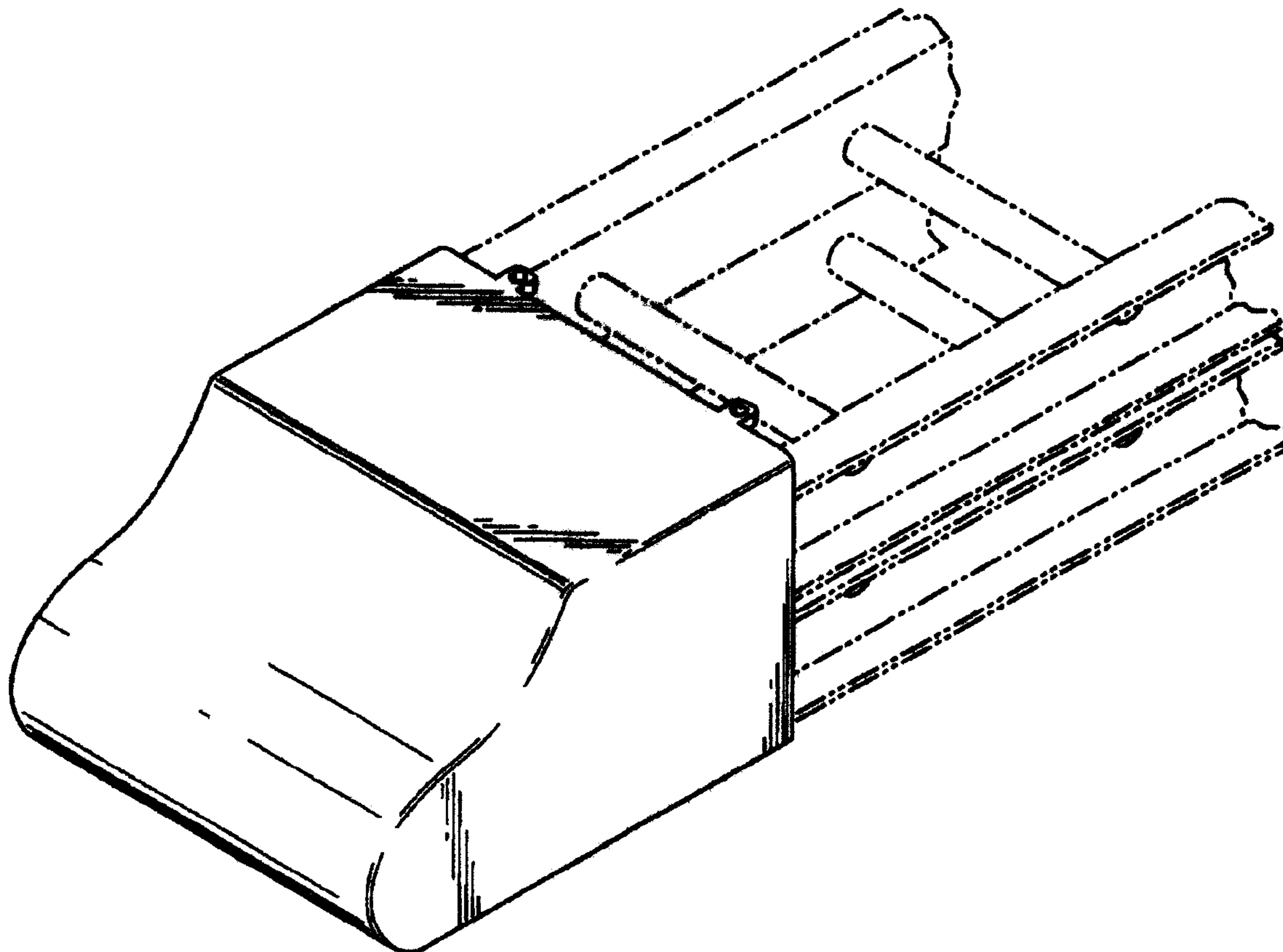
FIG. 5 is a top plan view thereof;

FIG. 6 is a bottom plan view thereof; and,

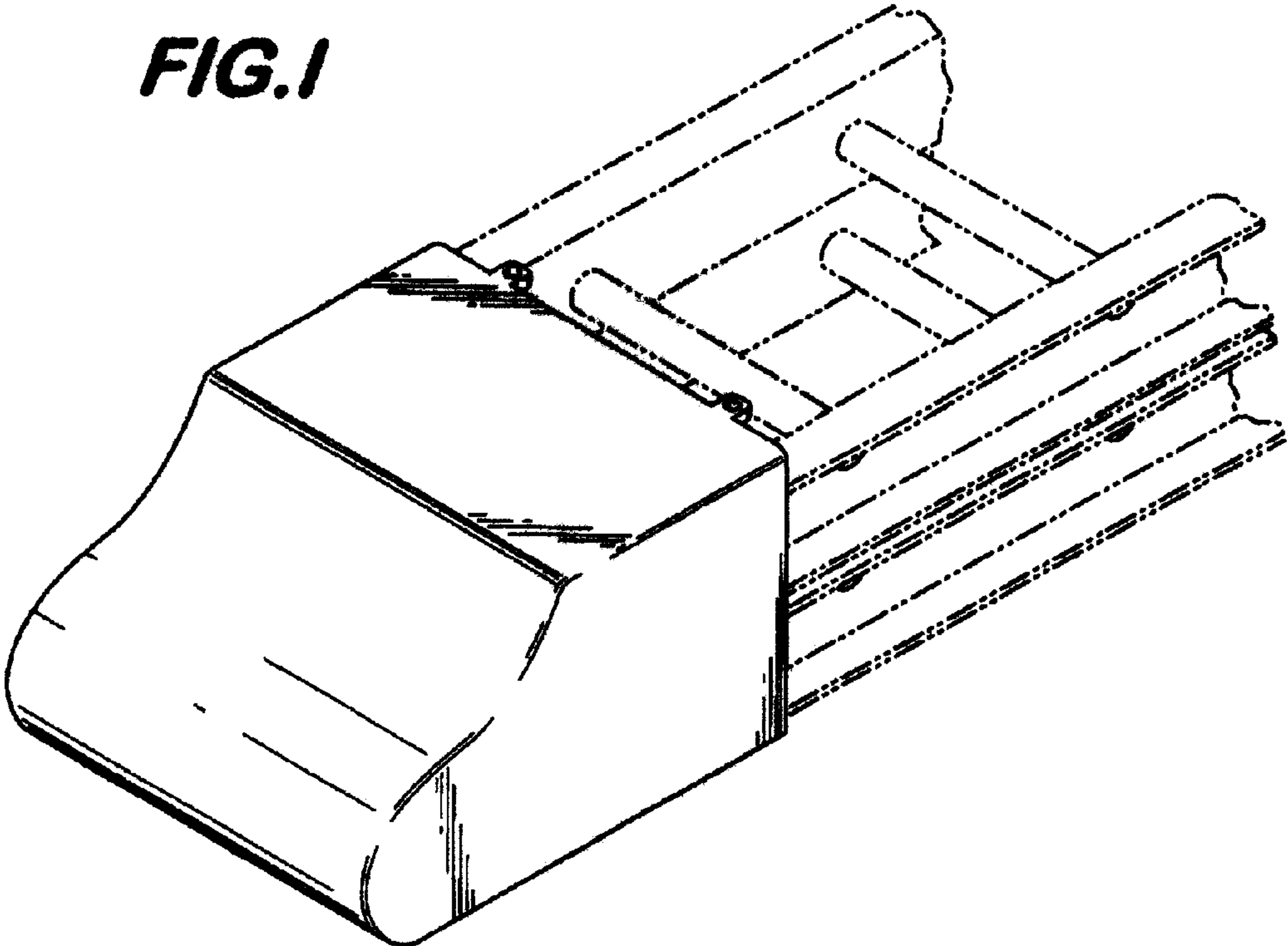
FIG. 7 is a right side elevation view being a mirror image of the left side elevation view thereof.

The broken lines are for illustrative purposes only and form no part of the claimed design.

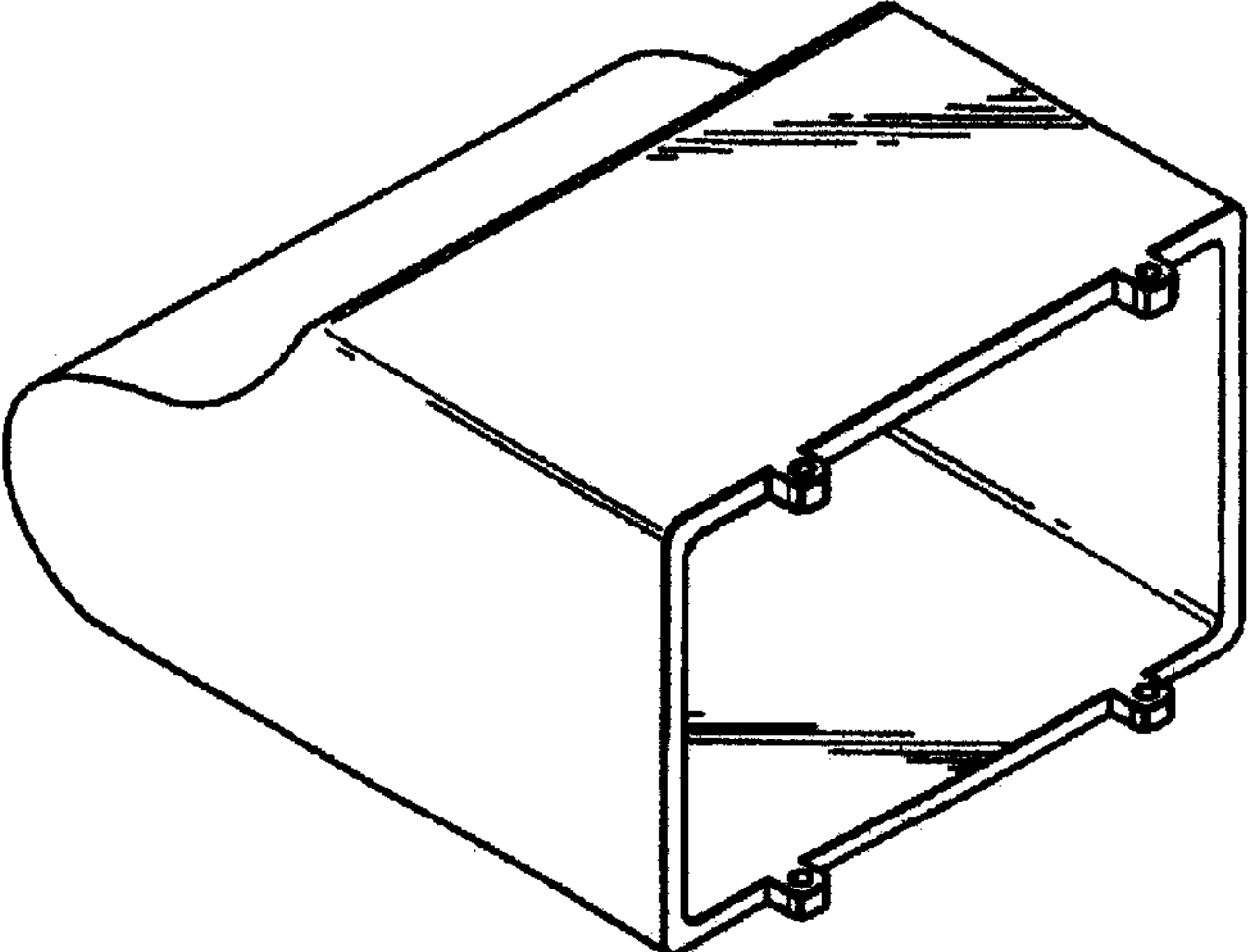
**1 Claim, 2 Drawing Sheets**



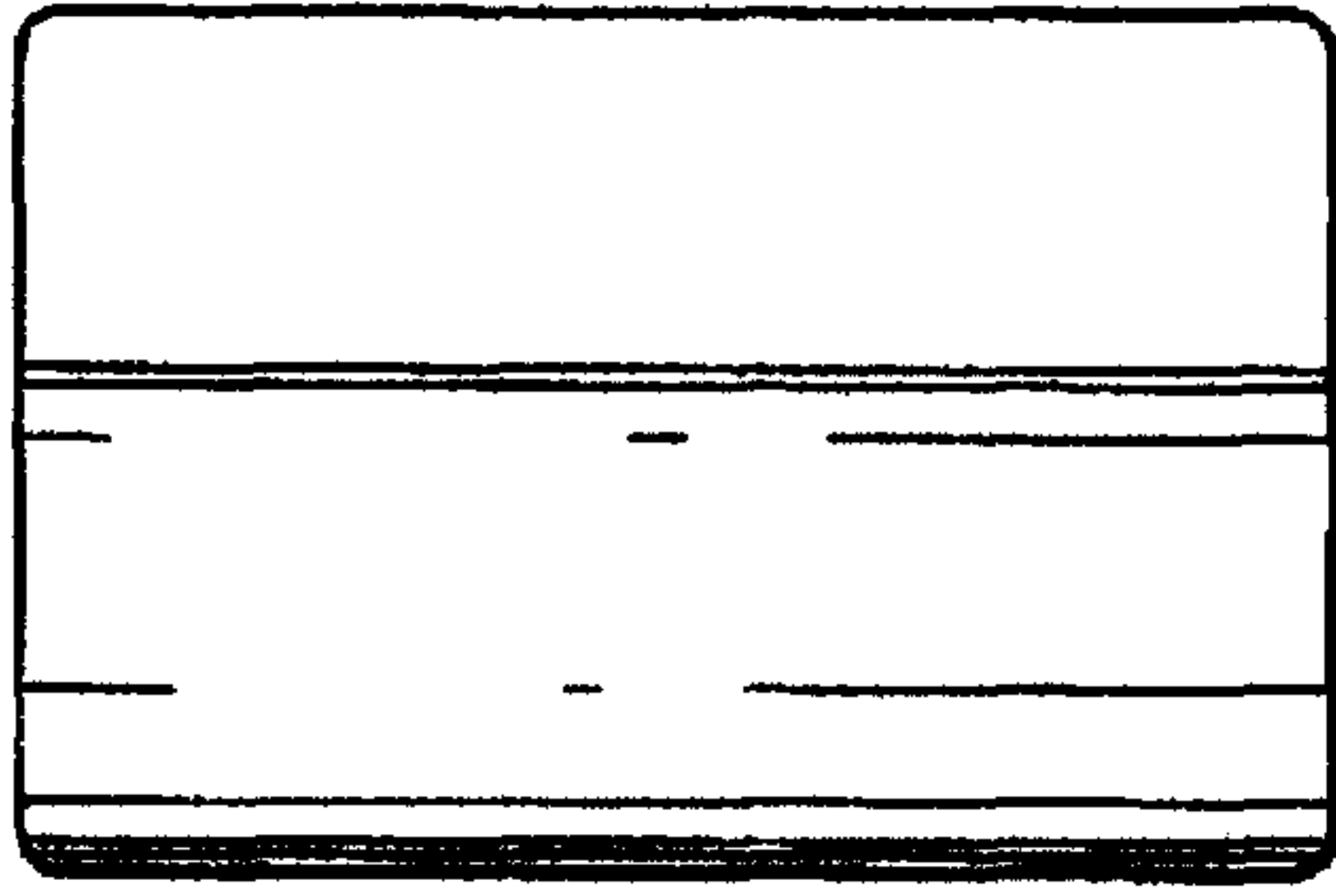
**FIG.1**



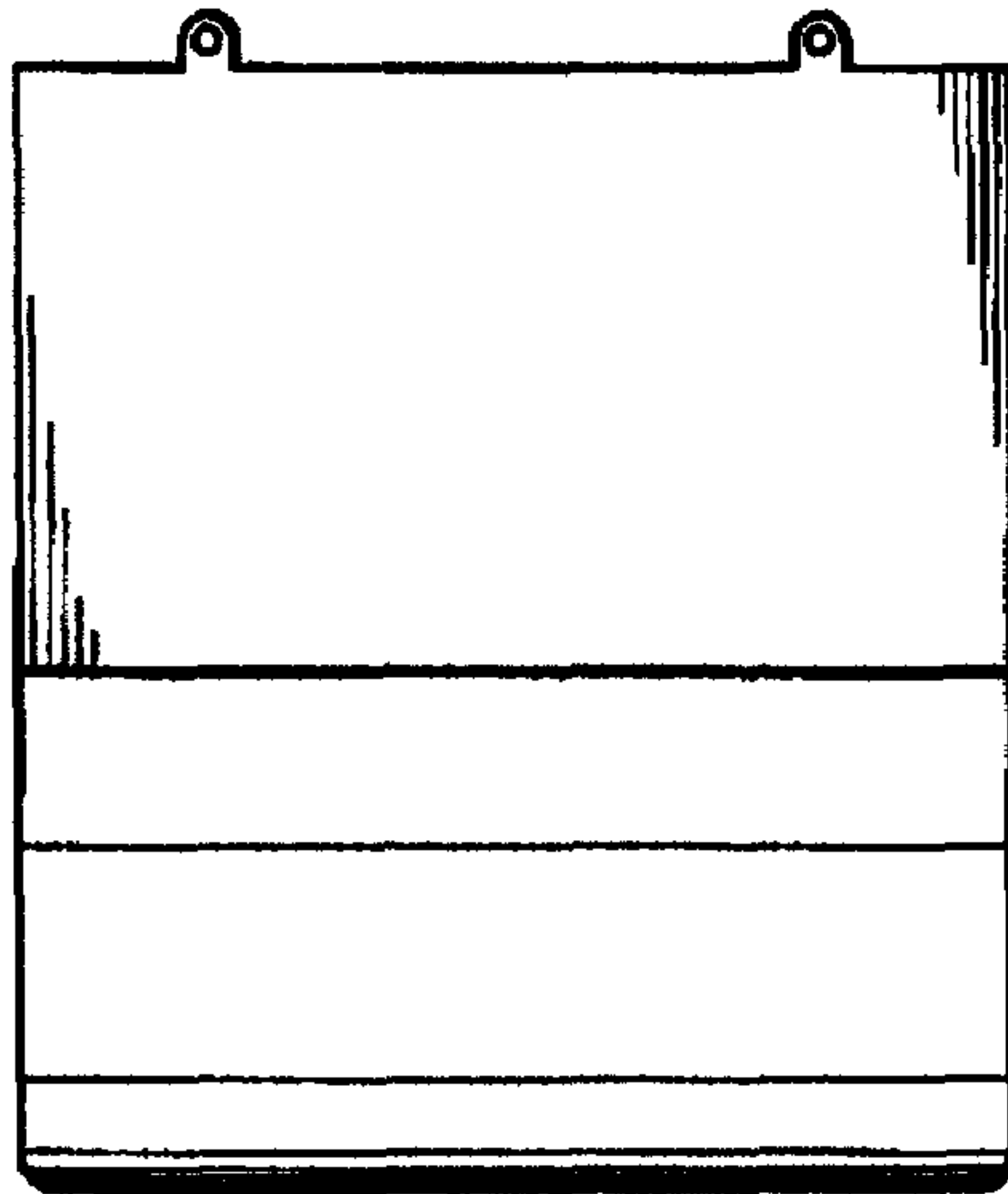
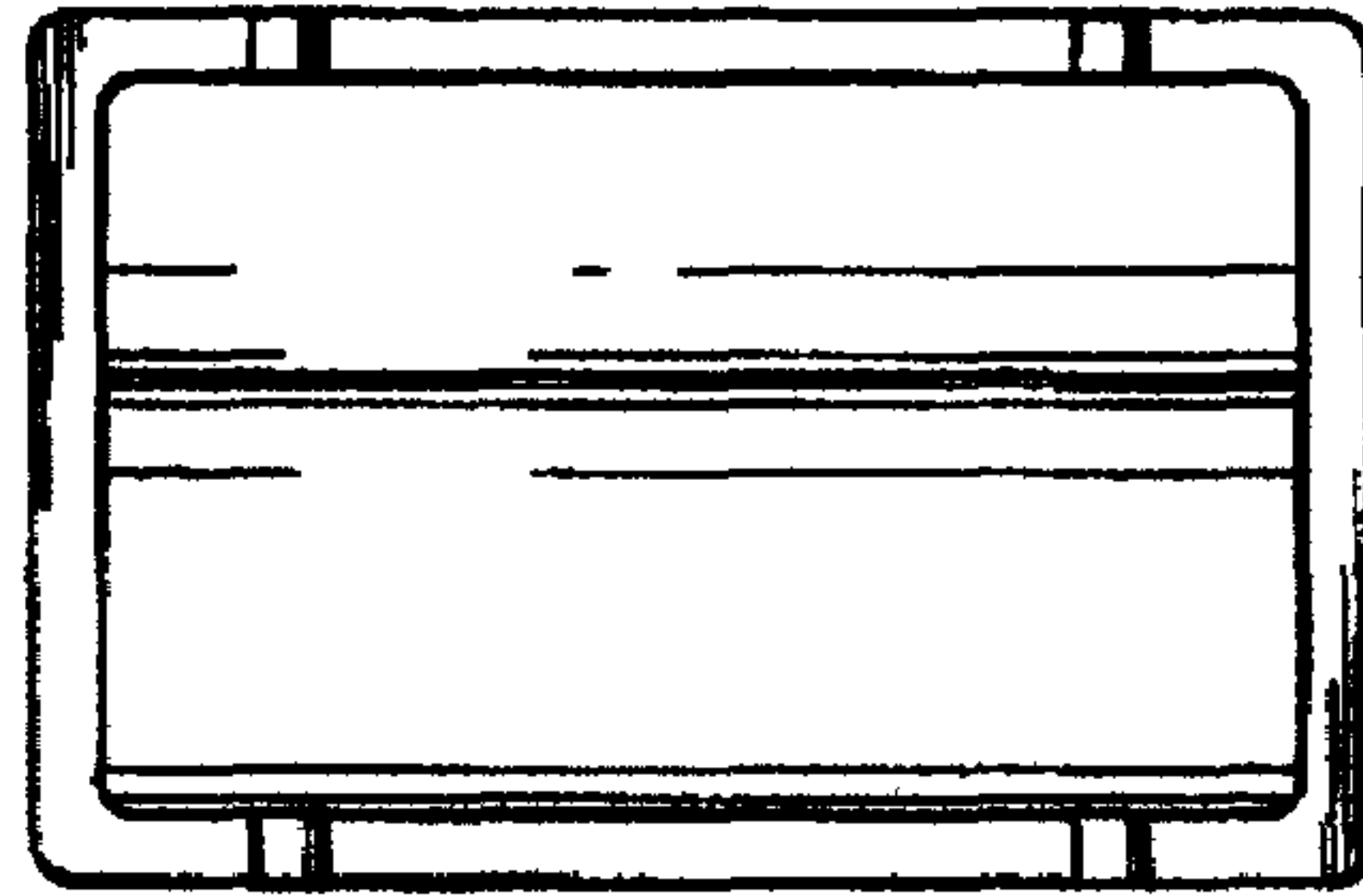
**FIG.2**



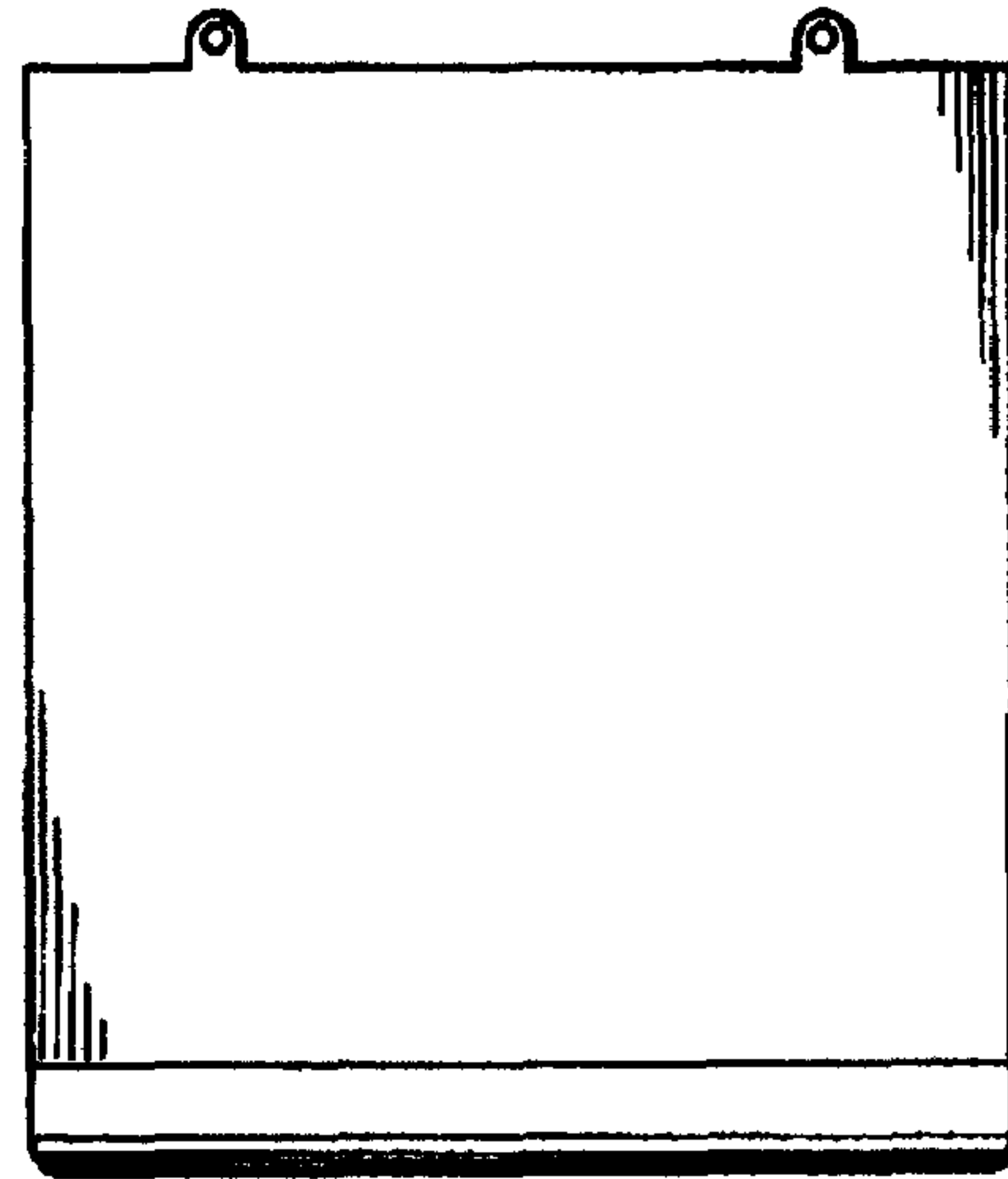
**FIG.3**



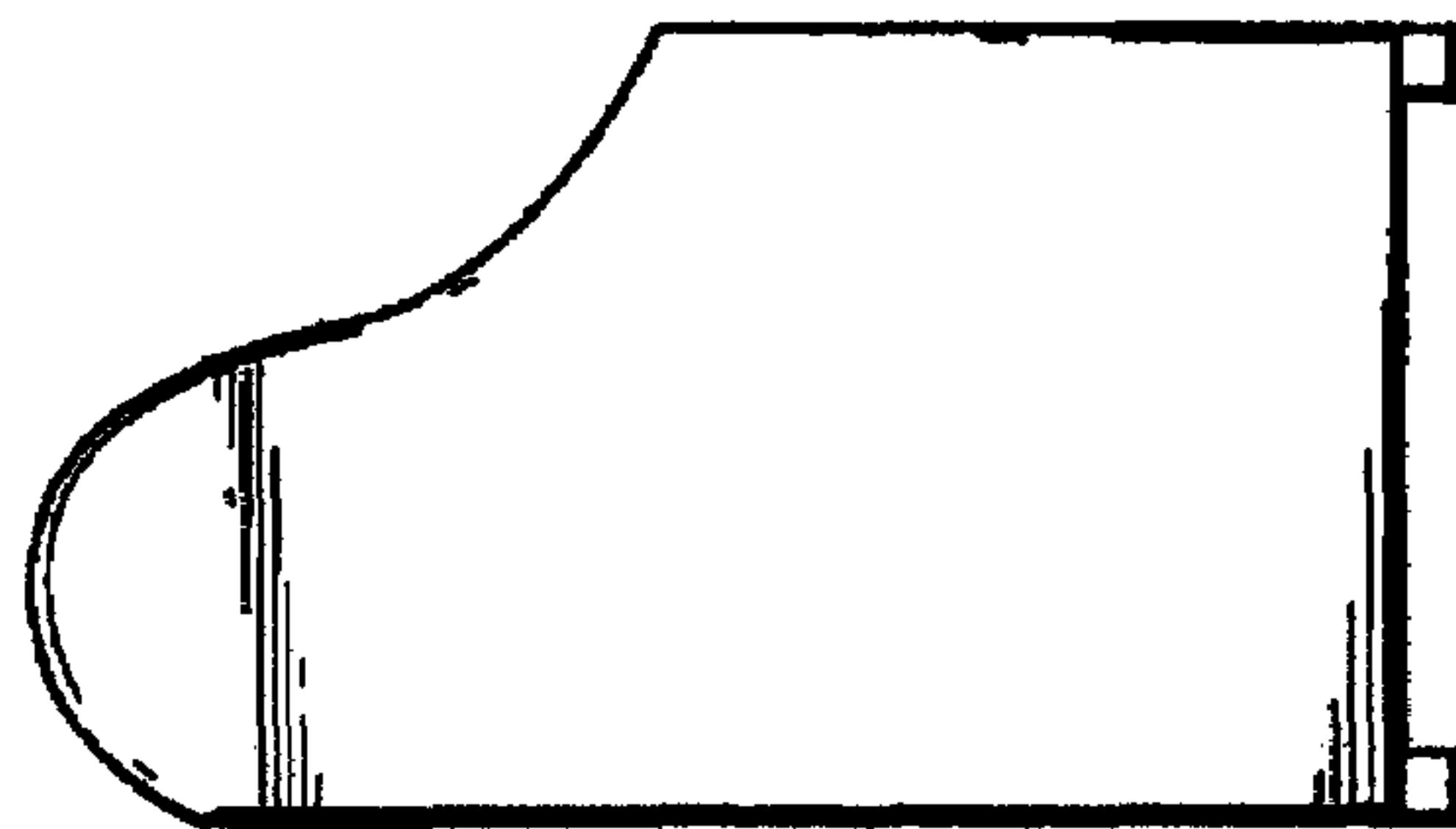
**FIG.4**



**FIG.5**



**FIG.6**



**FIG.7**