



US00D570496S

(12) **United States Design Patent**
Henderson

(10) **Patent No.:** **US D570,496 S**

(45) **Date of Patent:** **** Jun. 3, 2008**

(54) **STORE FACADE**

(75) Inventor: **Stewart Henderson**, Scarsdale, NY
(US)

(73) Assignee: **Victoria's Secret Stores Brand Management, Inc.**, Reynoldsburg, OH
(US)

(**) Term: **14 Years**

(21) Appl. No.: **29/286,188**

(22) Filed: **Apr. 25, 2007**

(51) **LOC (8) Cl.** **25-02**

(52) **U.S. Cl.** **D25/59**

(58) **Field of Classification Search** D25/59;
51/79.4, 79.3, 79.2, 79.1

See application file for complete search history.

(56) **References Cited**

U.S. PATENT DOCUMENTS

D56,930 S	1/1921	Lerner
D58,690 S	8/1921	Seymour
D76,910 S	11/1928	Berland
D77,261 S	12/1928	Schulte
D85,687 S	8/1931	Coman
D85,611 S	11/1931	Daly
D87,615 S	8/1932	Cohn
D90,020 S	5/1933	Bentz
D91,468 S	2/1934	O'Connell et al.
D179,733 S	2/1957	Kress
D220,904 S	6/1971	Jacobs et al.

D224,000 S	6/1972	Azar	
D245,017 S	7/1977	Macione	
D254,032 S	1/1980	Broudy	
D254,990 S	5/1980	Winter	
4,523,414 A *	6/1985	Horgan, Jr.	52/204.1
D289,201 S	4/1987	Weeden et al.	
D291,357 S	8/1987	Able et al.	
D301,062 S	5/1989	Scarpa et al.	
D312,697 S	12/1990	Scarpa et al.	
D346,451 S	4/1994	Brand	
D346,664 S	5/1994	Brand	
D375,170 S *	10/1996	Rose et al.	D25/59
6,442,911 B2 *	9/2002	Elmer et al.	52/506.01
D467,351 S *	12/2002	Smith et al.	D25/59
D471,285 S *	3/2003	Dixon	D25/59

* cited by examiner

Primary Examiner—Doris Clark

(74) *Attorney, Agent, or Firm*—Ward & Olivo

(57) **CLAIM**

The ornamental design for a store façade, as shown and described.

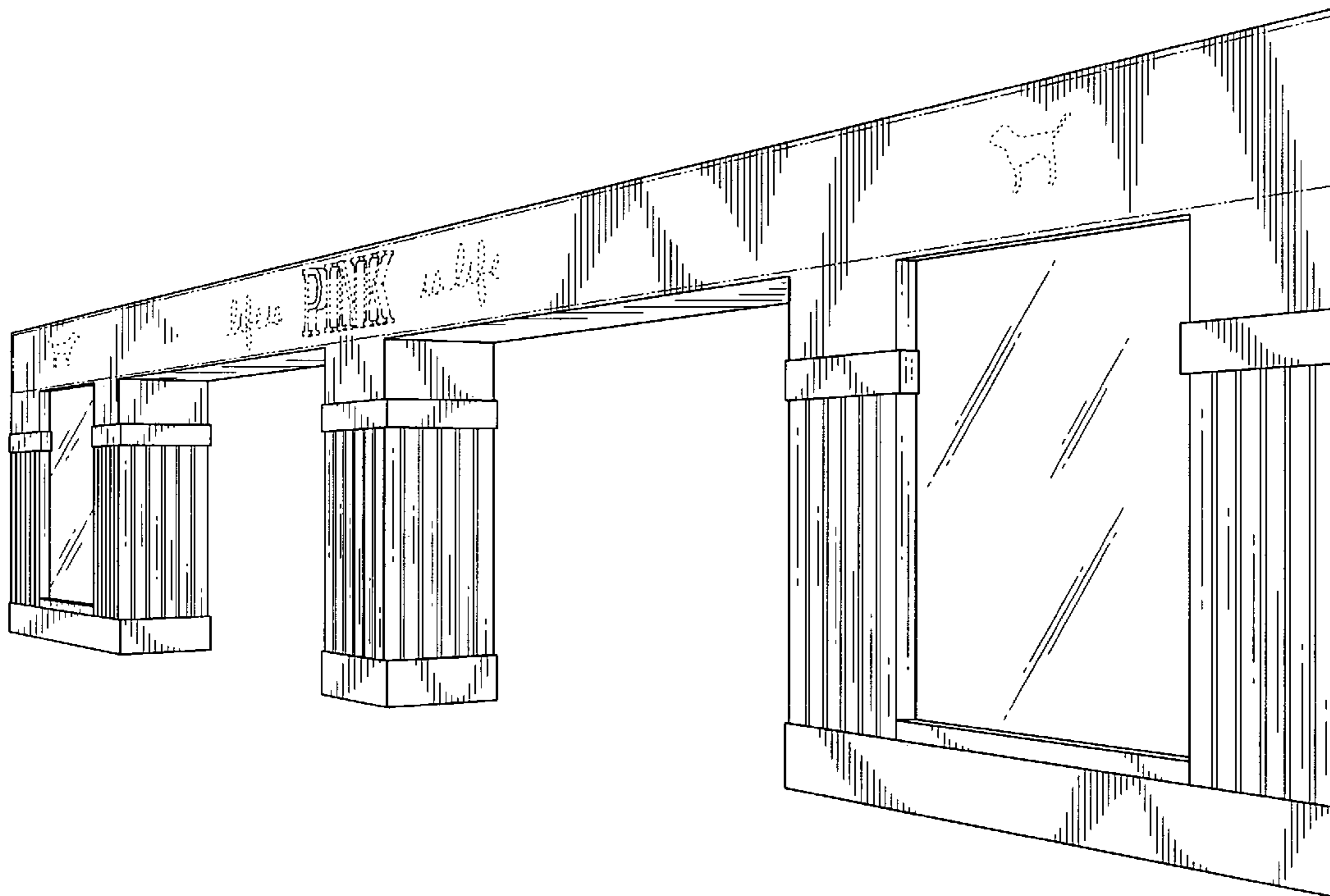
DESCRIPTION

FIG. 1 is a perspective view of a store façade in accordance with the present invention as shown in the present design; and,

FIG. 2 is a front view thereof.

The broken lines are for illustrative purposes only and form no part of the claimed design.

1 Claim, 2 Drawing Sheets



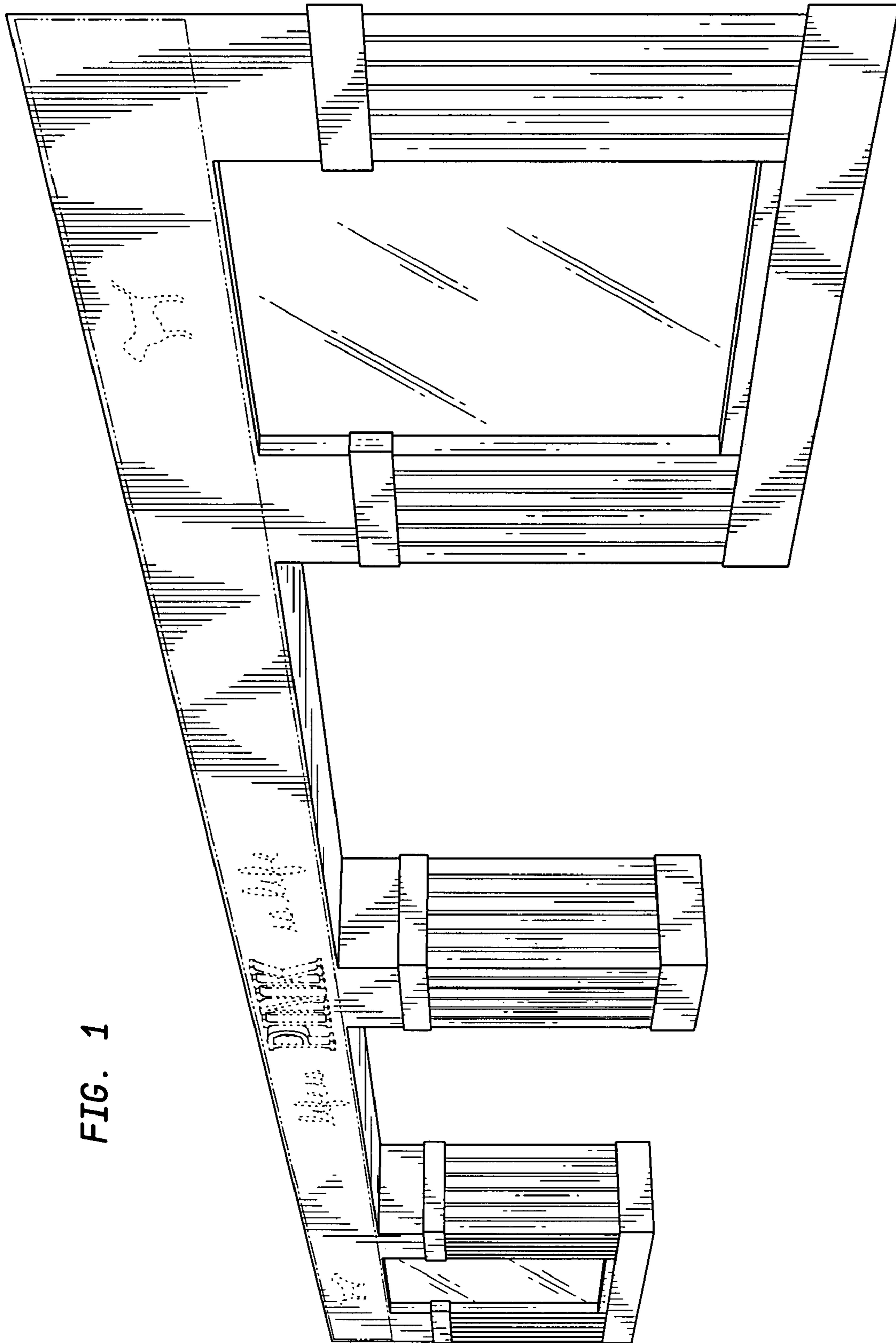


FIG. 1

FIG. 2

