



US00D570492S

(12) **United States Design Patent**
Denmon

(10) **Patent No.:** **US D570,492 S**

(45) **Date of Patent:** **** Jun. 3, 2008**

(54) **MANHOLE GUARD**

(76) Inventor: **Richard F. Denmon**, 3409 Industrial
27th St., Fort Pierce, FL (US) 34946

(**) Term: **14 Years**

(21) Appl. No.: **29/255,063**

(22) Filed: **Mar. 6, 2006**

(51) **LOC (8) Cl.** **25-01**

(52) **U.S. Cl.** **D25/35**

(58) **Field of Classification Search** D25/35,
D25/36; 52/19–20, 21; 405/133, 25
See application file for complete search history.

(56) **References Cited**

U.S. PATENT DOCUMENTS

4,936,703	A *	6/1990	Ferns	404/25
6,385,913	B1 *	5/2002	Ahn	52/20
D478,672	S *	8/2003	Charlebois	D25/36
6,651,391	B2 *	11/2003	Nale	52/20
7,178,290	B2 *	2/2007	Gowland	49/33
D539,918	S *	4/2007	Denmon	D25/36
2003/0039510	A1 *	2/2003	Kuan	404/25
2003/0121216	A1 *	7/2003	Nale	52/19

* cited by examiner

Primary Examiner—Louis S Zarfaz

Assistant Examiner—Eric L Goodman

(74) *Attorney, Agent, or Firm*—William M. Hobby, III

(57) **CLAIM**

The ornamental design for a manhole guard, as shown and described.

DESCRIPTION

FIG. 1 is a top, front and right side perspective view of my new manhole guard;

FIG. 2 is a rear side elevation which is a mirror image of the front elevation;

FIG. 3 is a left side elevation which is a mirror image of the right side;

FIG. 4 is a bottom plan view which is a mirror image of a top plan view;

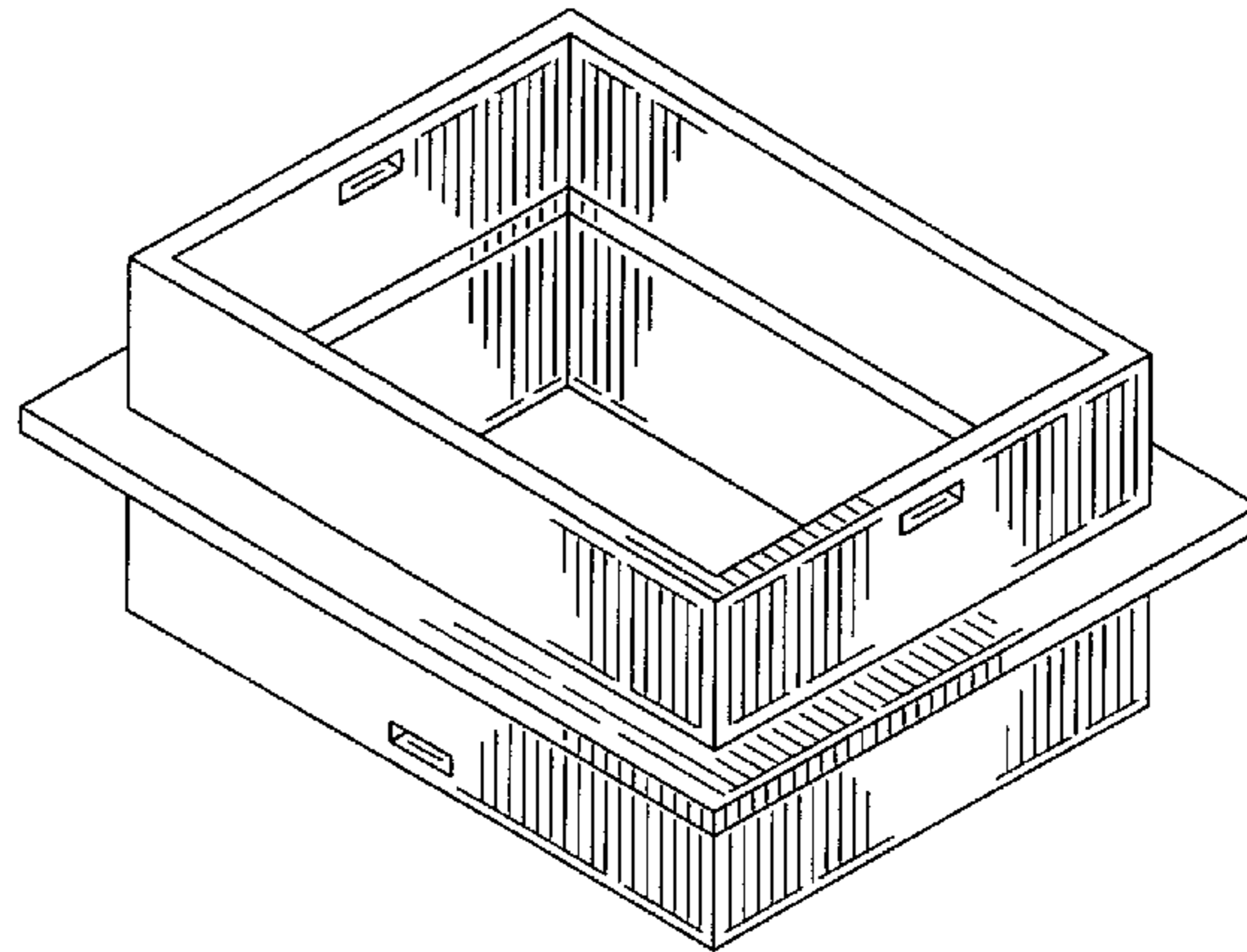
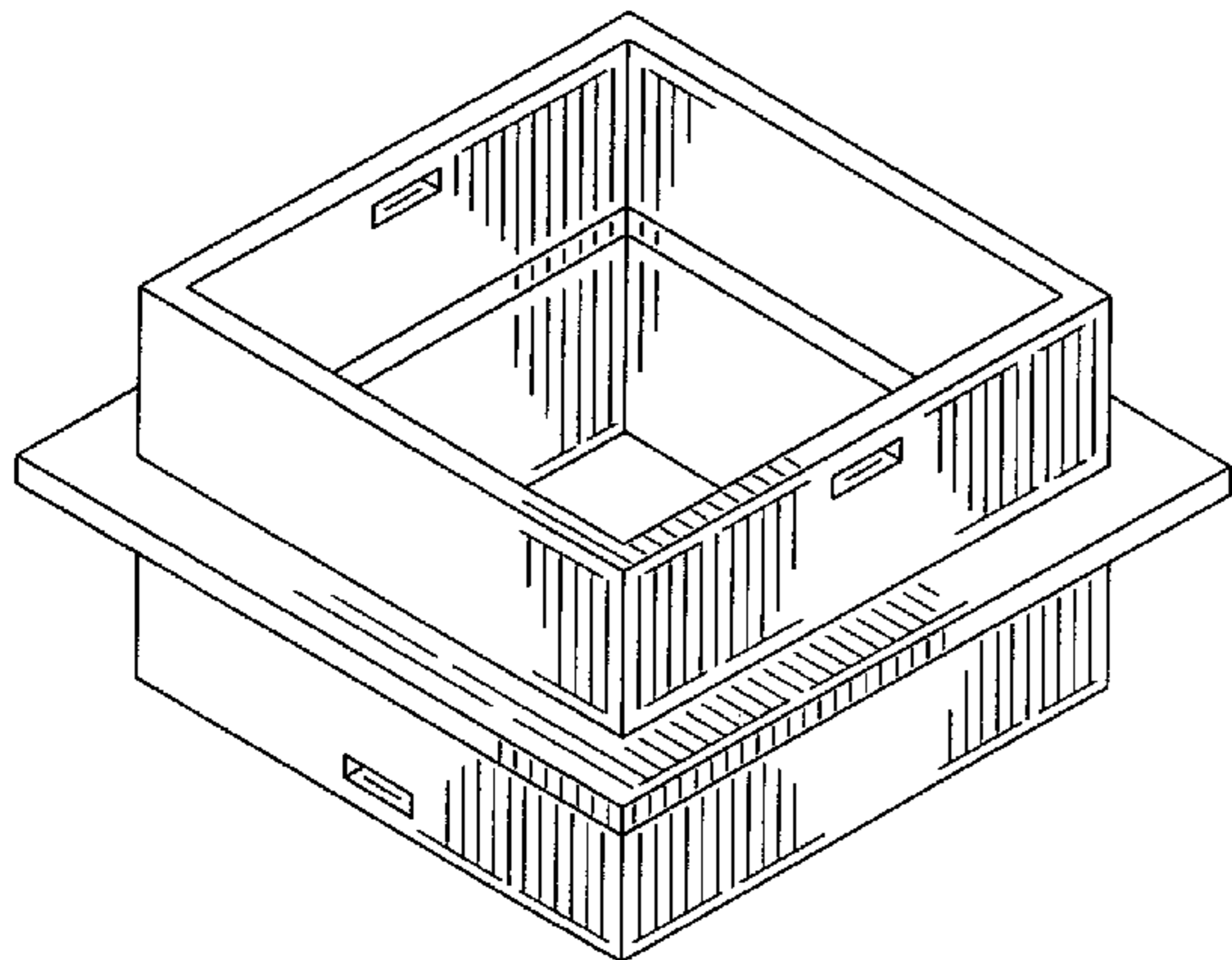
FIG. 5 is a top, front and right side perspective of an alternate embodiment of my new manhole guard;

FIG. 6 is a rear side elevation of the embodiment of FIG. 5 which is a mirror image of the front elevation;

FIG. 7 is a left side elevation of the embodiment of FIG. 5 which is a mirror image of the right side elevation; and,

FIG. 8 is a bottom plan view of the embodiment of FIG. 5 which is a mirror image of the top plan view.

1 Claim, 2 Drawing Sheets



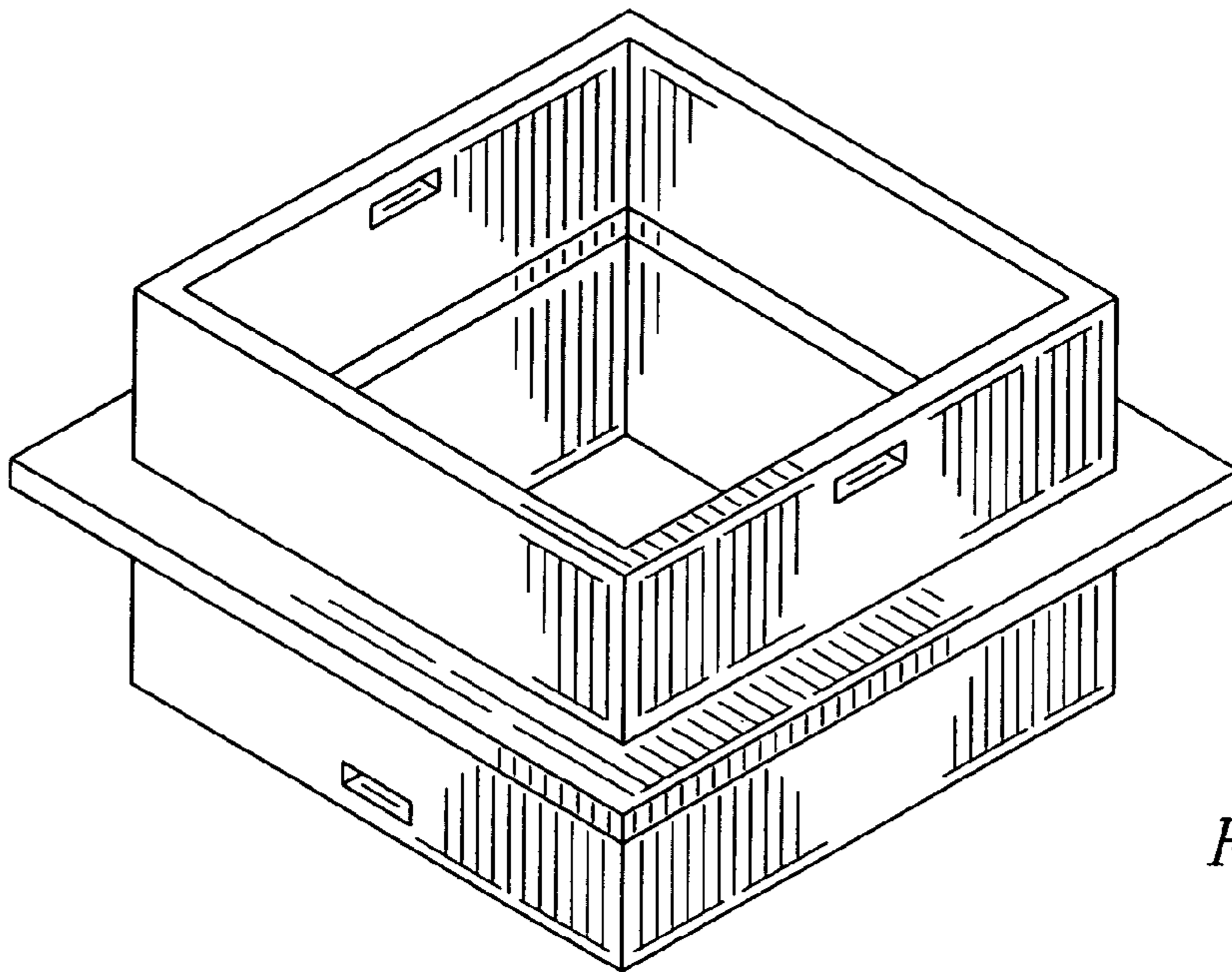


FIG. 1

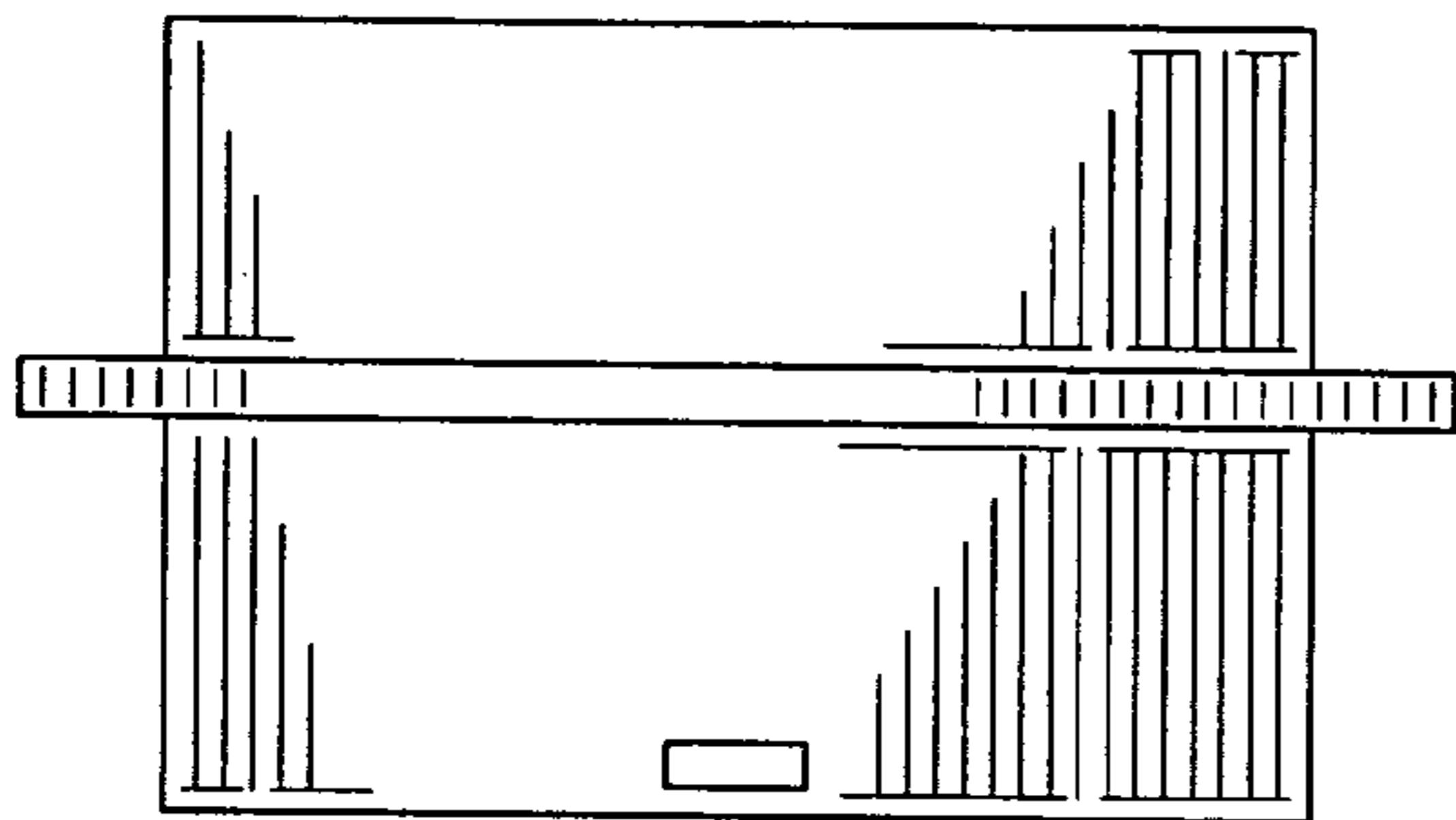


FIG. 2

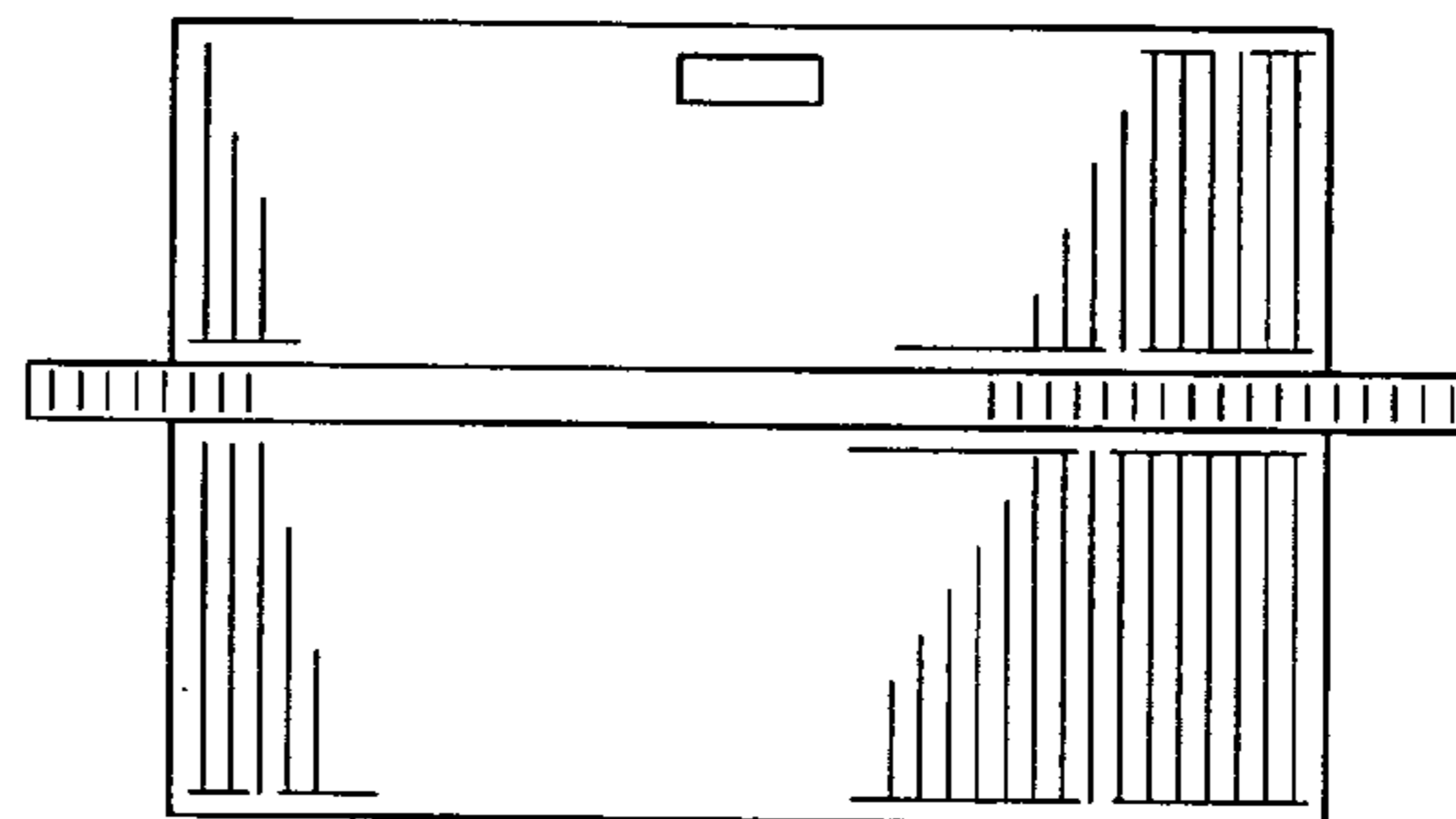


FIG. 3

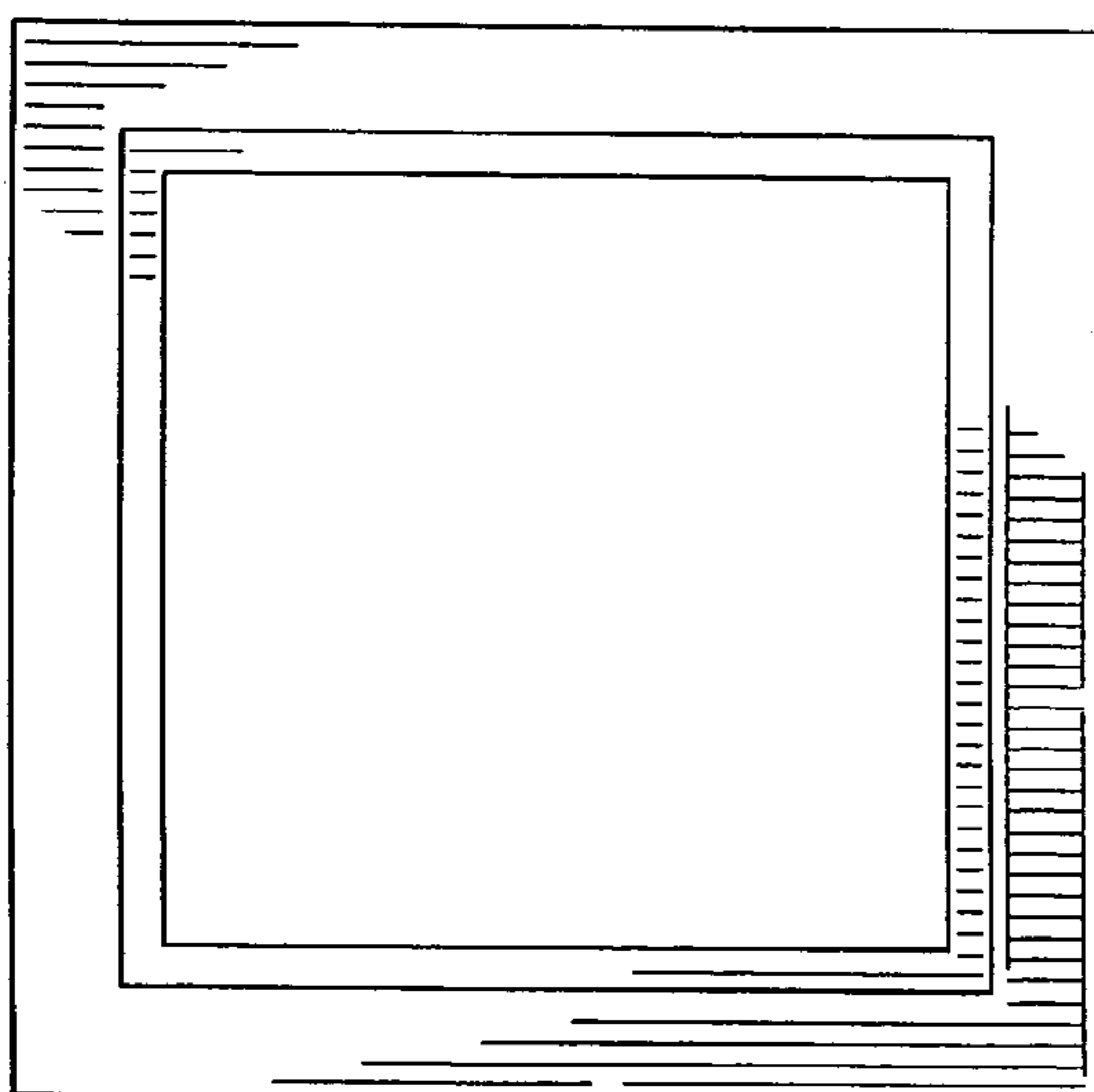


FIG. 4

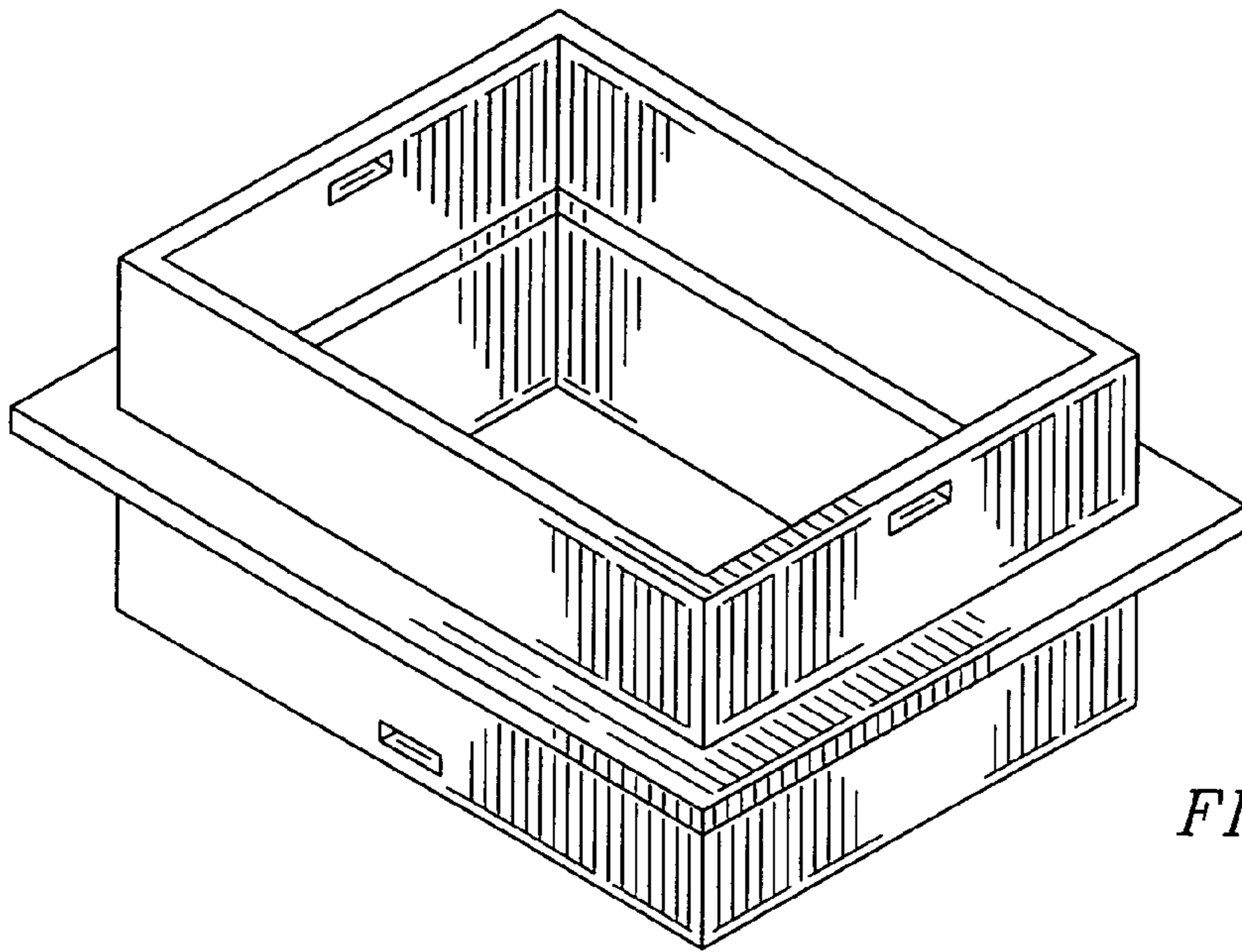


FIG. 5

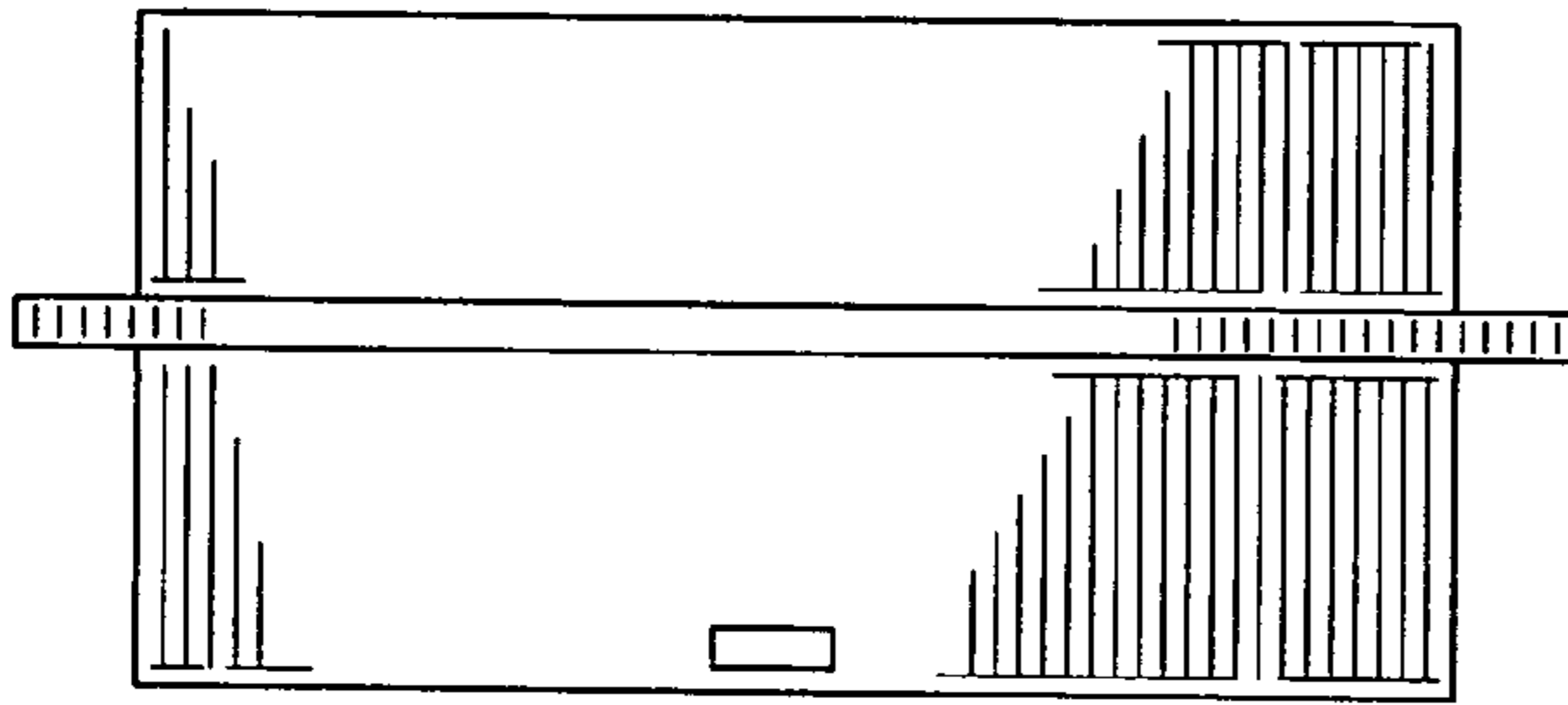


FIG. 6

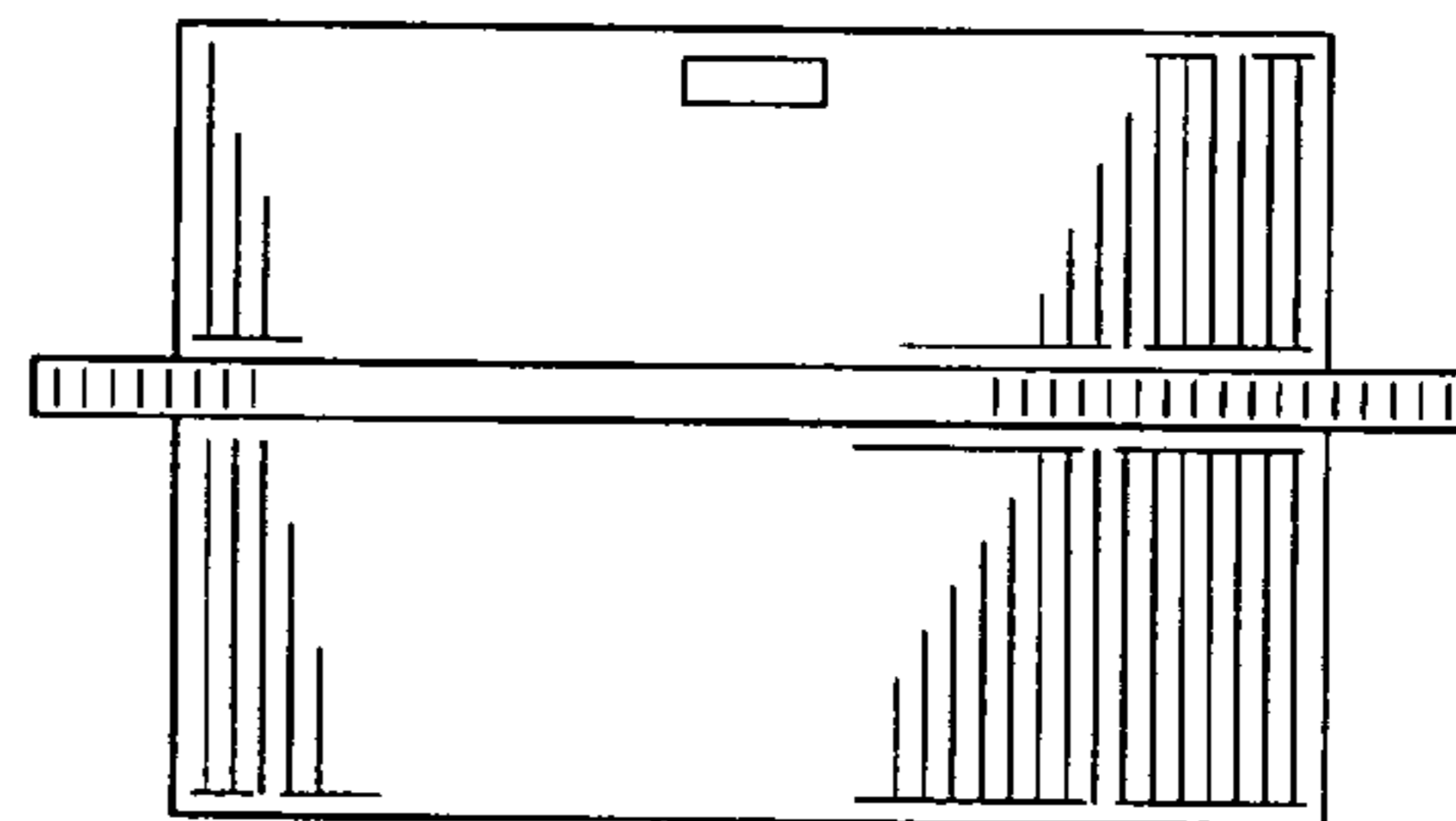


FIG. 7

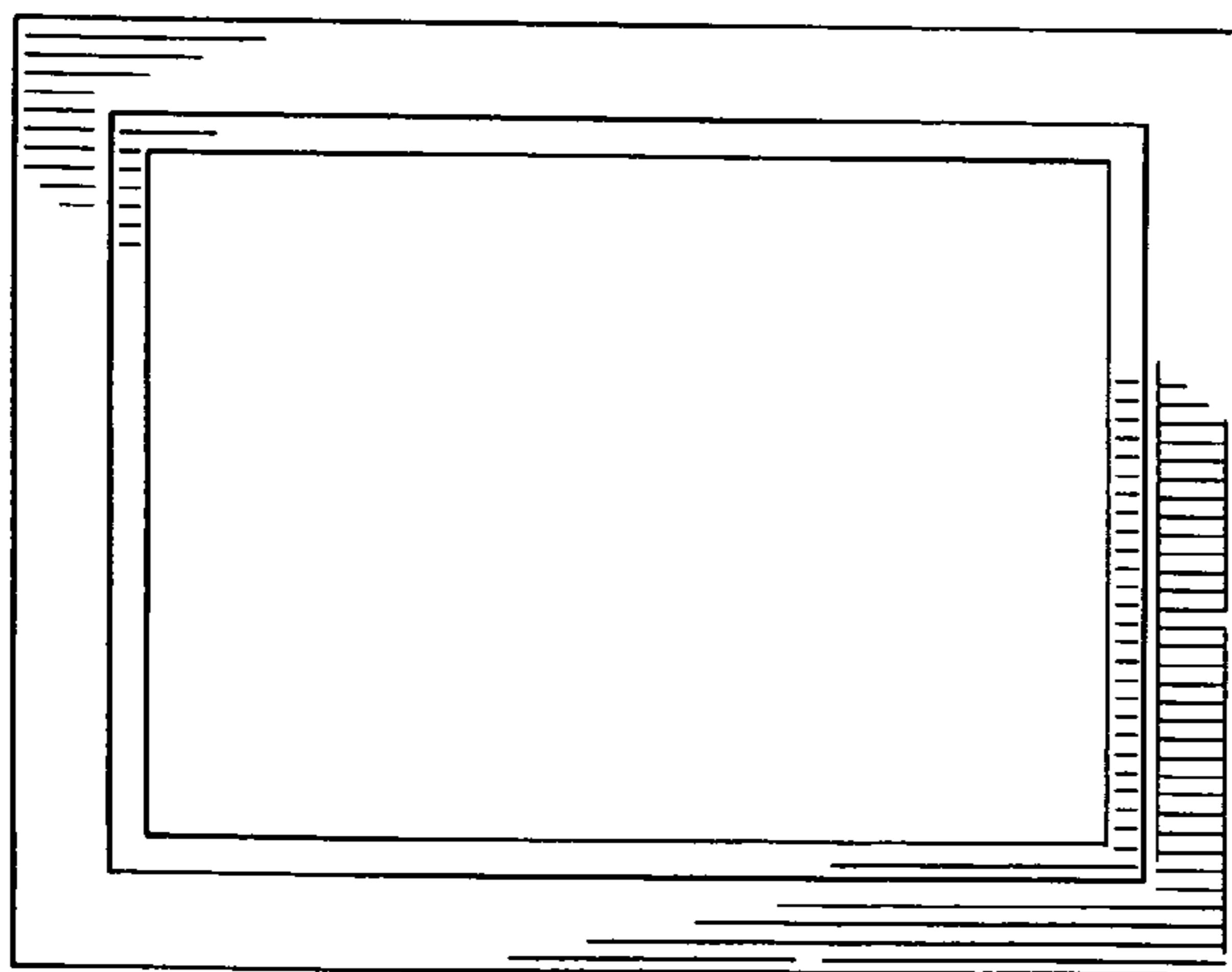


FIG. 8