

US00D570487S

(12) **United States Design Patent**  
**Richenberger**

(10) **Patent No.:** **US D570,487 S**

(45) **Date of Patent:** **\*\* Jun. 3, 2008**

(54) **ROBOTIC POSITIONING DEVICE FOR A PATIENT TABLE**

(75) Inventor: **Michael Richenberger**, Erlangen (DE)

(73) Assignee: **Siemens Aktiengesellschaft**, Munich (DE)

(\*\*) Term: **14 Years**

(21) Appl. No.: **29/291,365**

(22) Filed: **Aug. 24, 2007**

(30) **Foreign Application Priority Data**

Mar. 1, 2007 (EM) ..... 000690011

(51) **LOC (8) Cl.** ..... **24-02**

(52) **U.S. Cl.** ..... **D24/184**

(58) **Field of Classification Search** ..... D24/183-184,  
D24/231-232, 234; D15/199; 74/490.01-490.05;  
219/124.35, 639; 221/210; 318/560; 378/65,  
378/197, 209; 600/407, 424; 601/5; 606/1,  
606/424

See application file for complete search history.

(56) **References Cited**

**U.S. PATENT DOCUMENTS**

D351,849 S \* 10/1994 Cheung et al. .... D15/199  
D461,484 S \* 8/2002 Kraft ..... D15/199  
6,644,852 B2 \* 11/2003 Crain et al. .... 378/197  
D484,154 S \* 12/2003 Treadwell et al. .... D15/199  
7,166,852 B2 \* 1/2007 Saracen et al. .... 600/424

D548,759 S \* 8/2007 Kraft ..... D15/199  
2004/0171924 A1 \* 9/2004 Mire et al. .... 600/424  
2005/0226377 A1 \* 10/2005 Wong et al. .... 378/65  
2005/0228255 A1 \* 10/2005 Saracen et al. .... 600/407  
2006/0079817 A1 \* 4/2006 Dewald et al. .... 601/5  
2006/0100610 A1 \* 5/2006 Wallace et al. .... 606/1  
2007/0169265 A1 \* 7/2007 Saracen et al. .... 378/209  
2008/0029536 A1 \* 2/2008 Wang et al. .... 221/210

\* cited by examiner

*Primary Examiner*—Robert A. Delehanty

*Assistant Examiner*—Mark Cavanna

(74) *Attorney, Agent, or Firm*—Brinks, Hofer, Gilson & Lione

(57) **CLAIM**

The ornamental design for robotic positioning device for a patient table, as shown and described.

**DESCRIPTION**

FIG. 1 is a front view of the robotic positioning device for a patient table;

FIG. 2 is a rear view thereof;

FIG. 3 is a top view thereof;

FIG. 4 is a bottom view thereof;

FIG. 5 is a right side view thereof;

FIG. 6 is a left side view thereof; and,

FIG. 7 is a perspective view thereof.

**1 Claim, 7 Drawing Sheets**

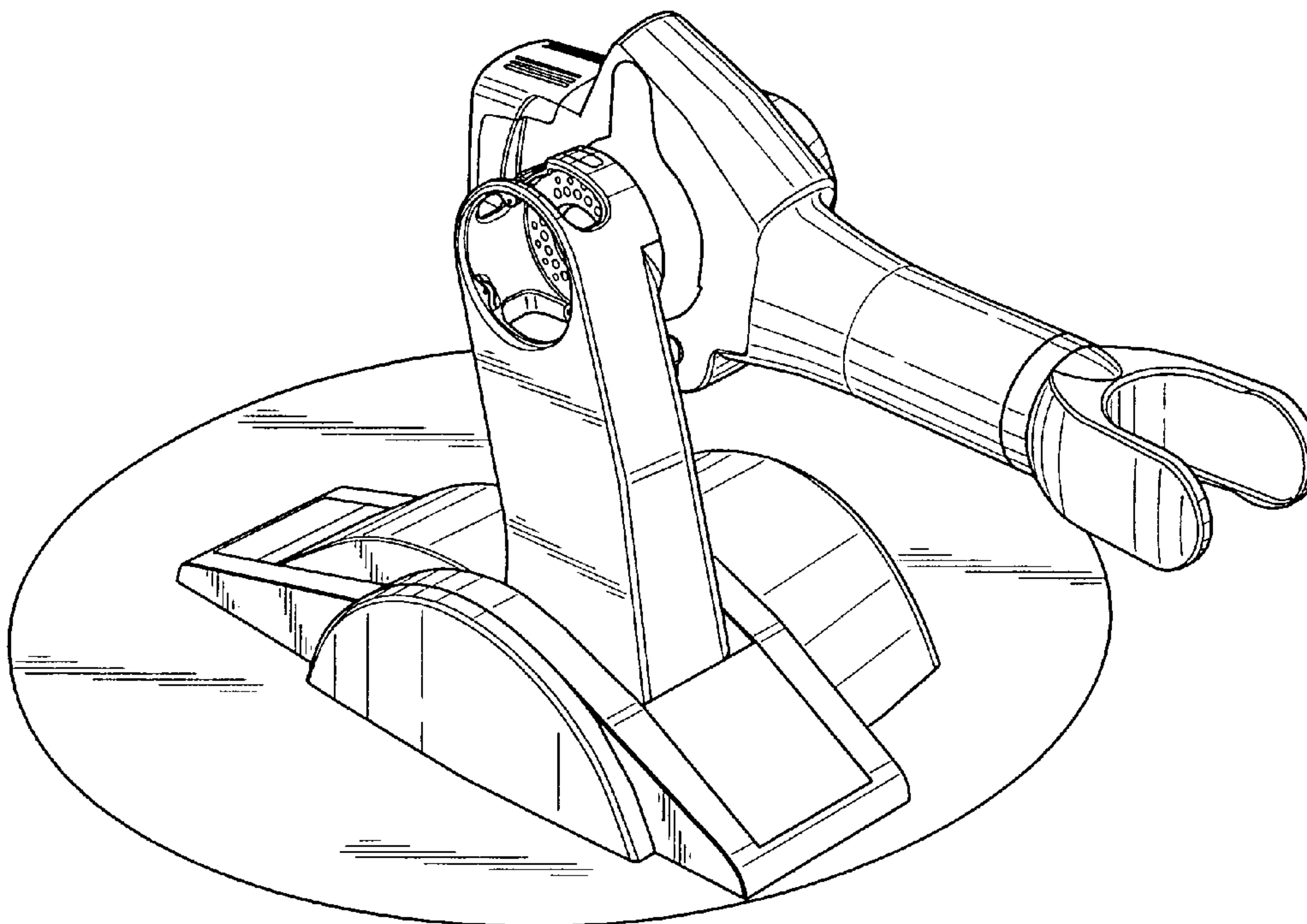


FIG. 1

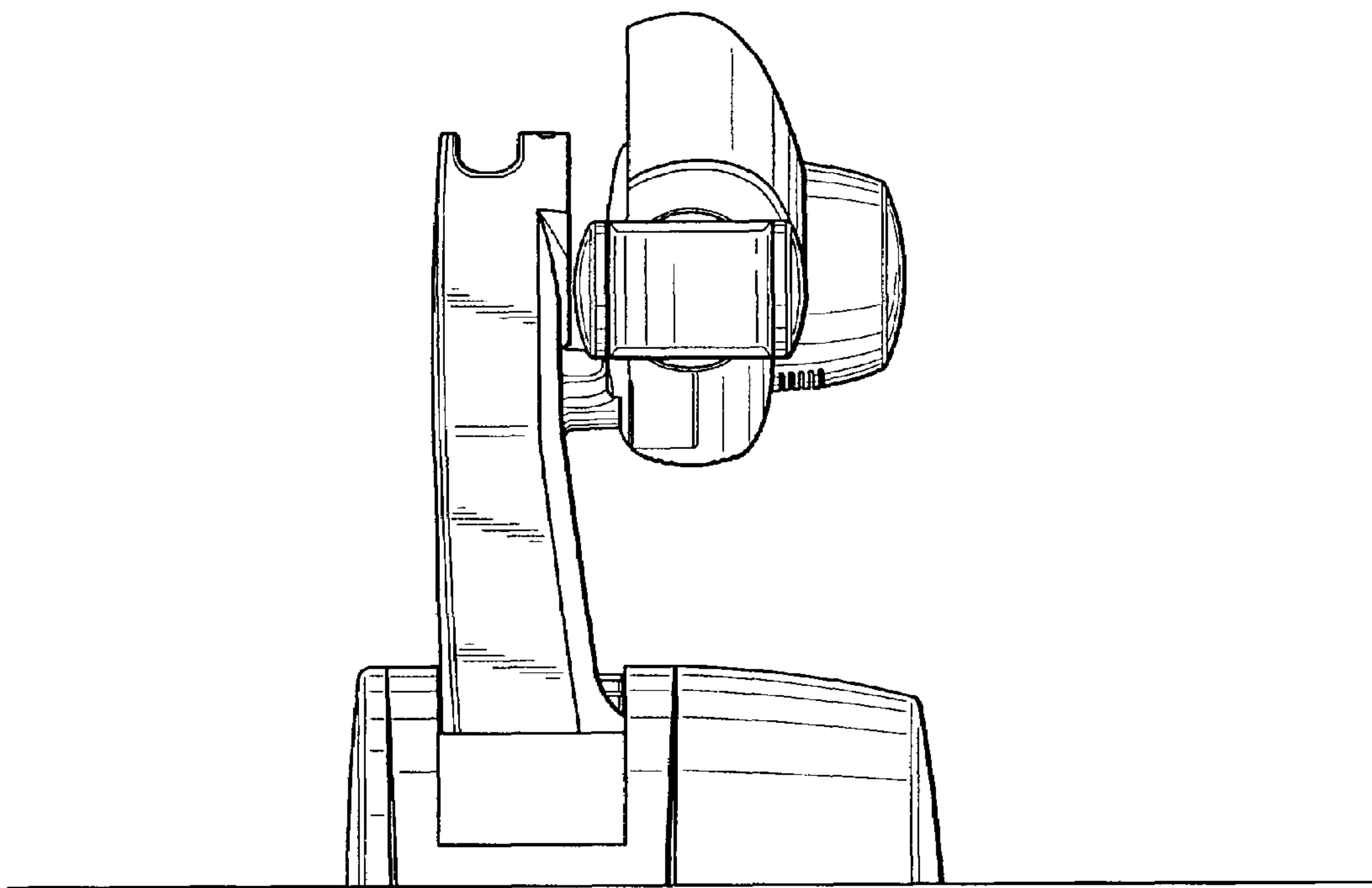


FIG. 2

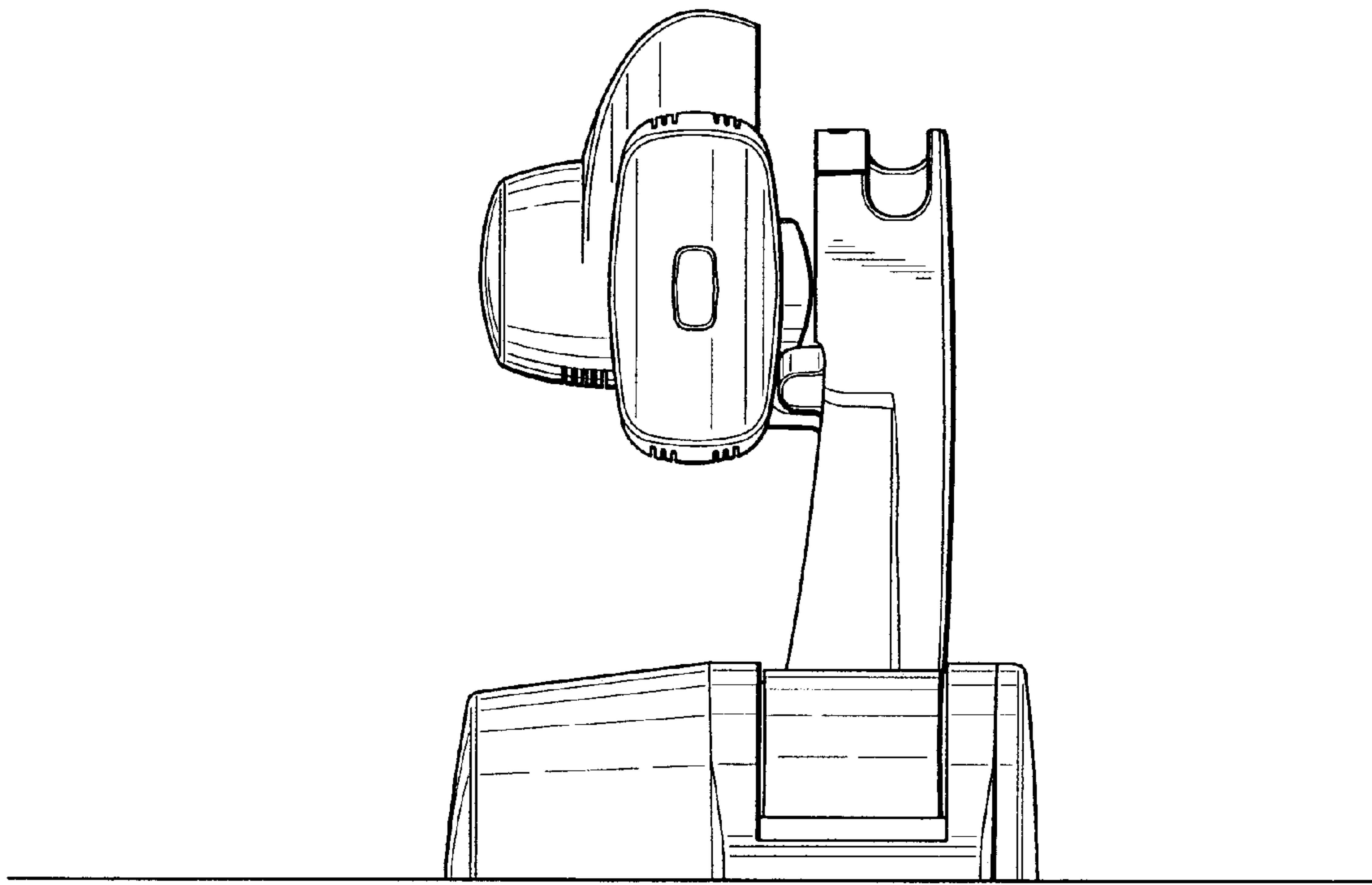


FIG. 3

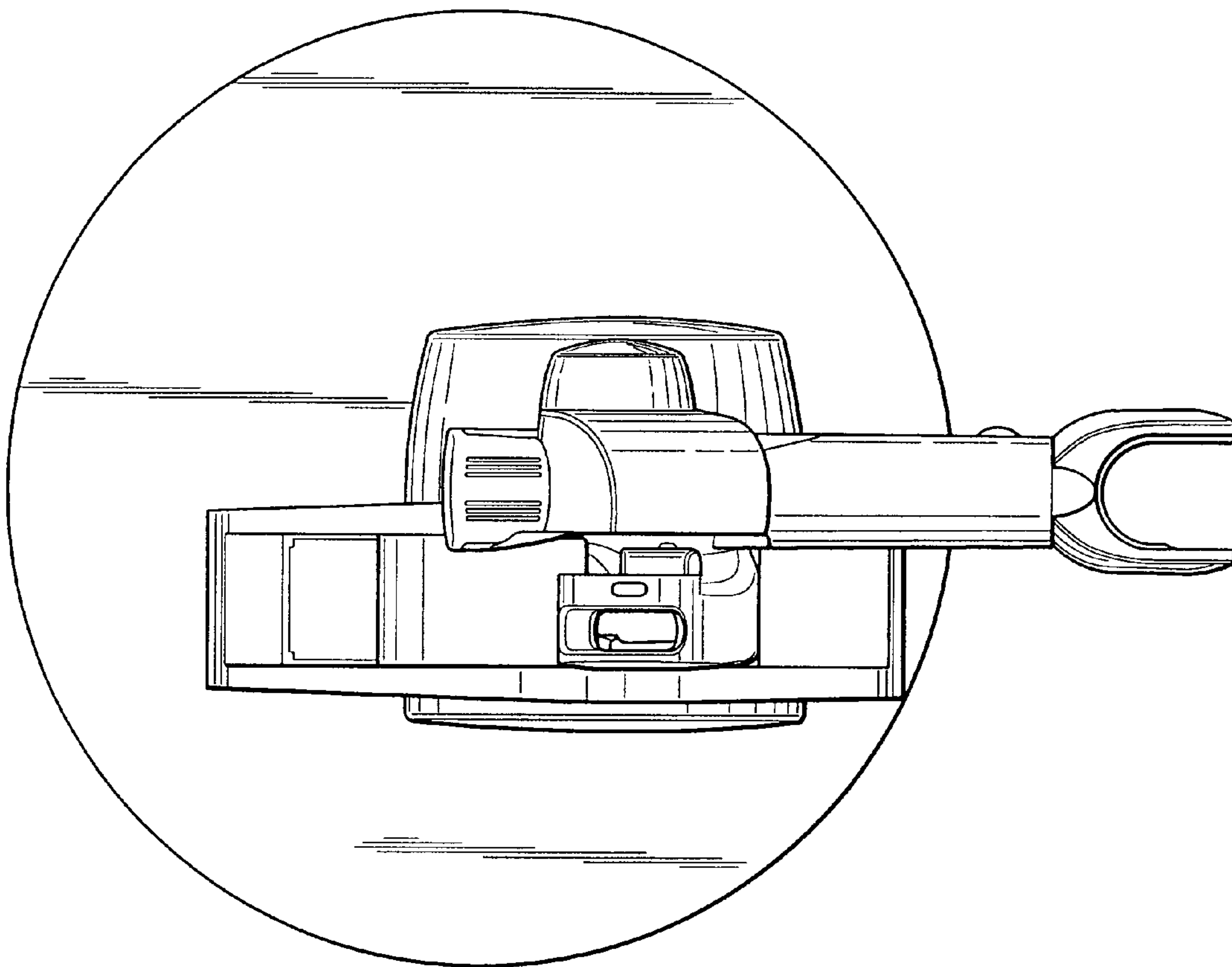


FIG. 4

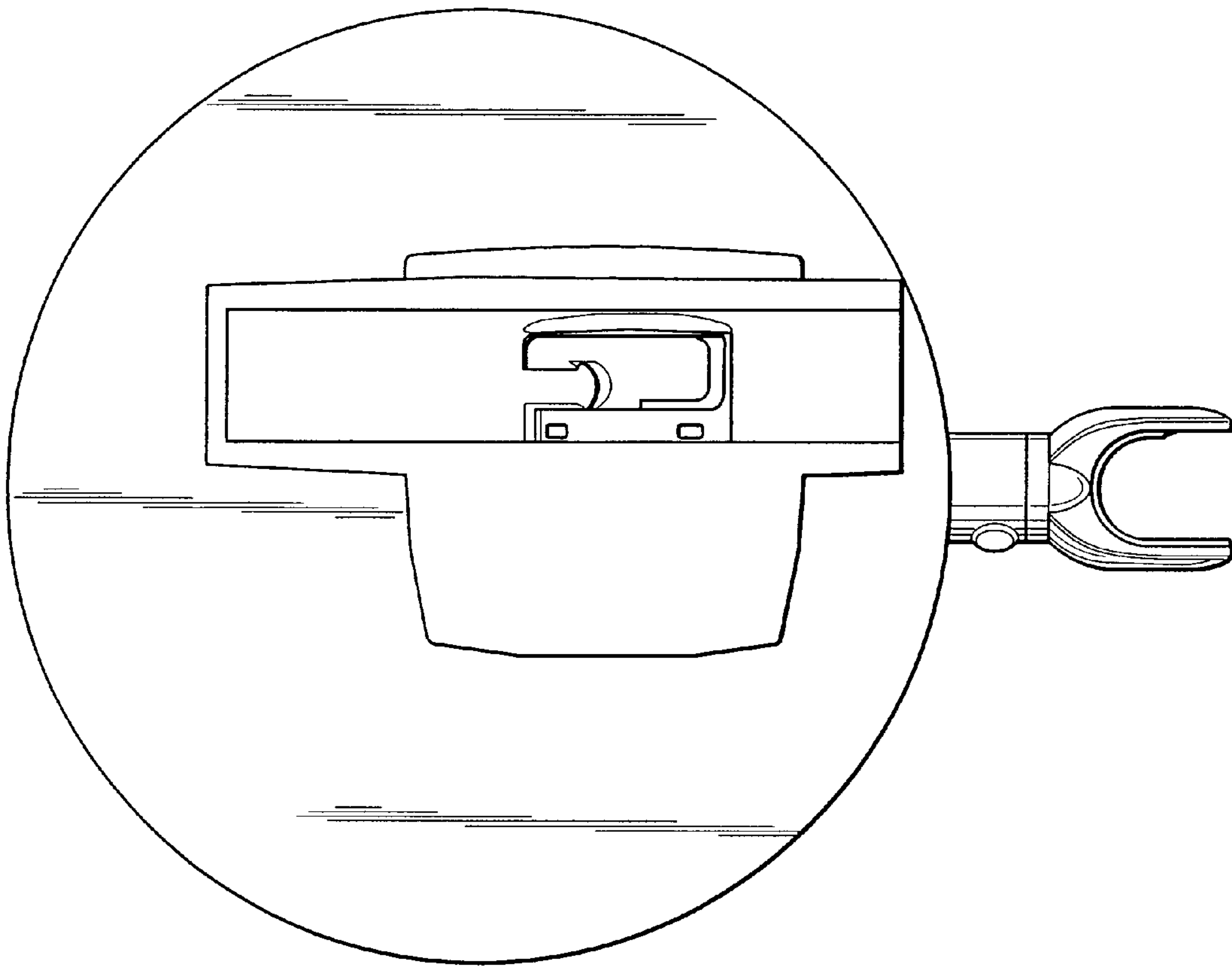


FIG. 5

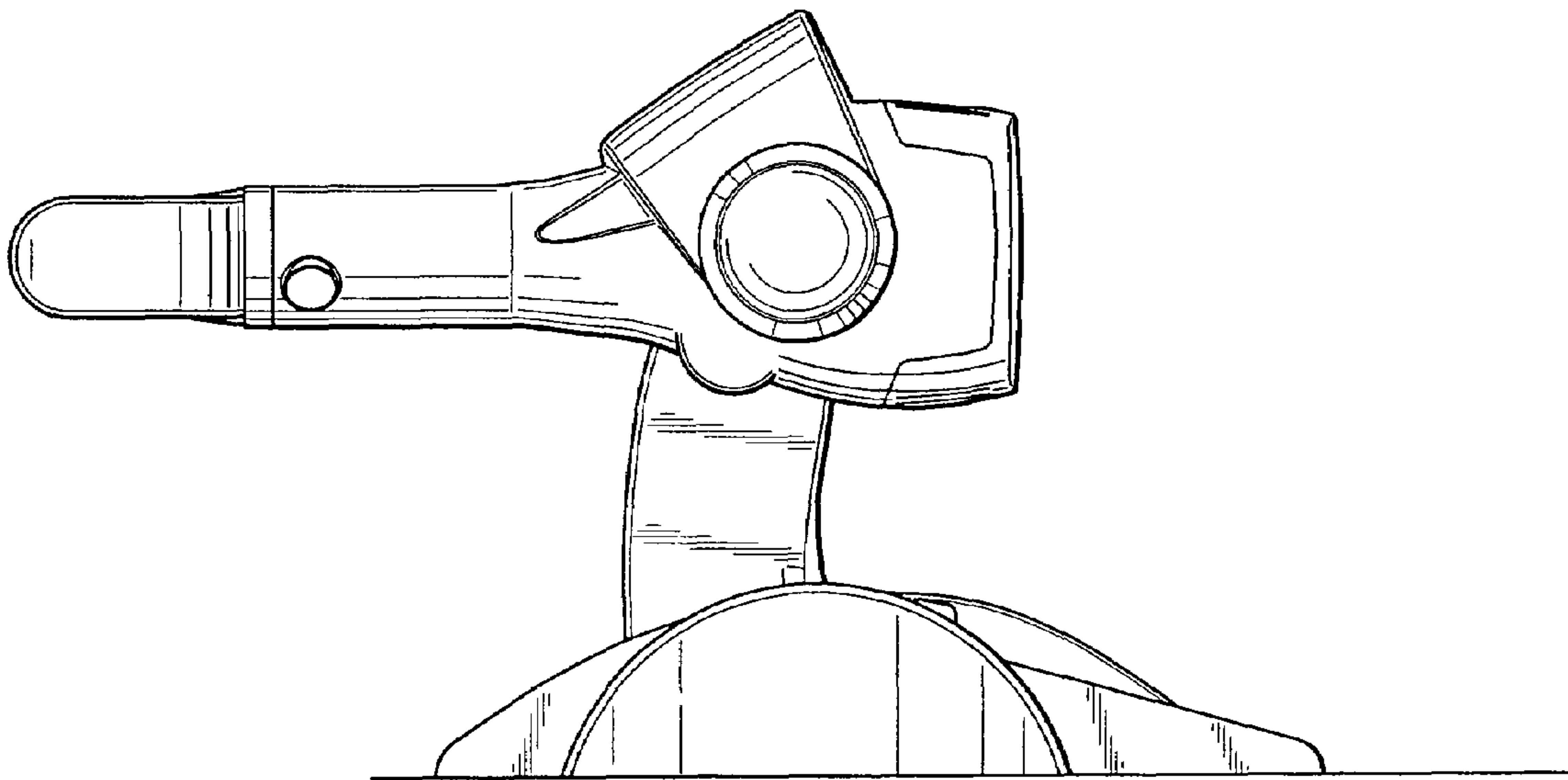


FIG. 6

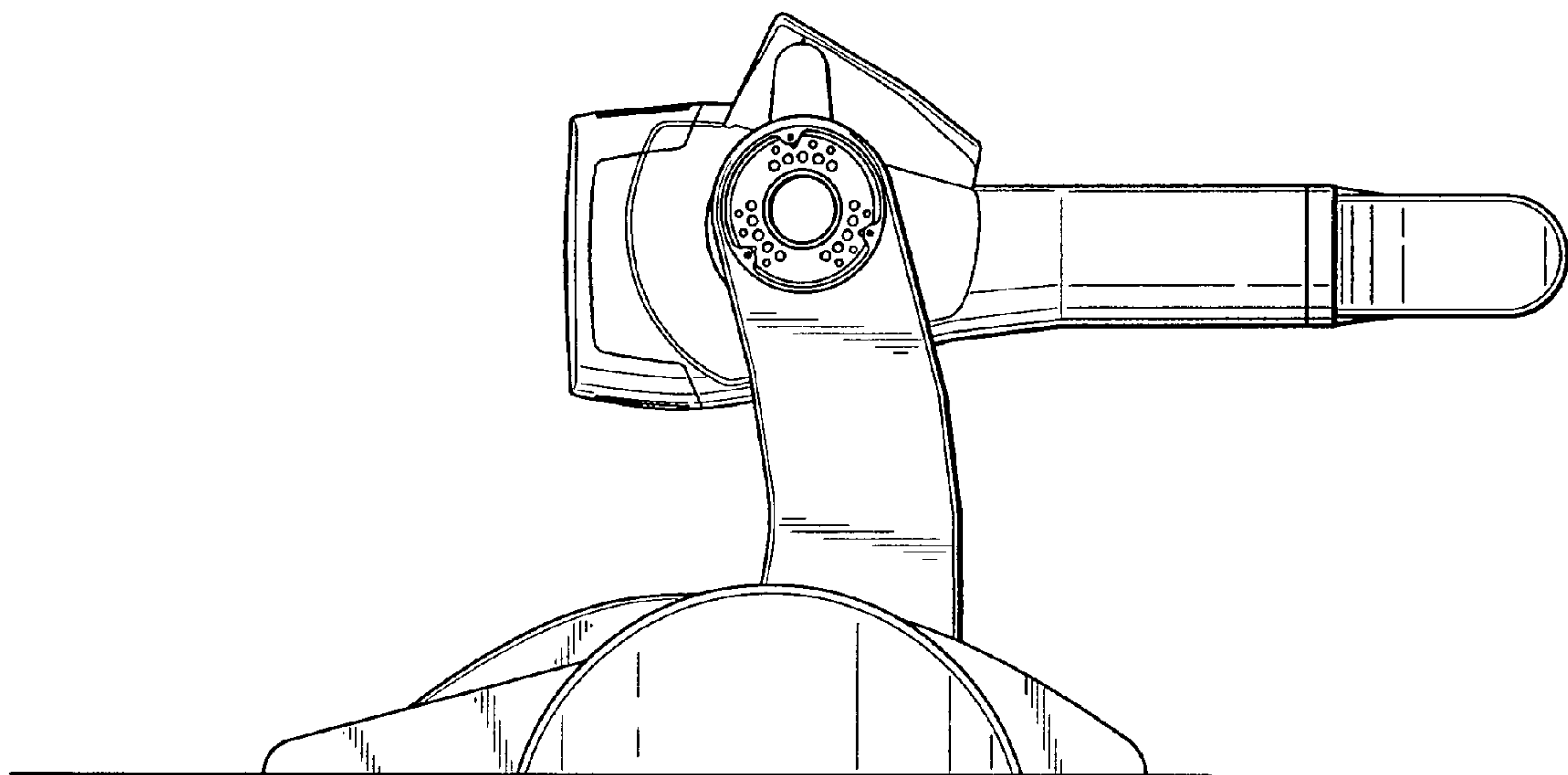




FIG. 7

