

US00D570485S

(12) **United States Design Patent**
Olsen

(10) **Patent No.:** **US D570,485 S**

(45) **Date of Patent:** **** Jun. 3, 2008**

(54) **HEARING AID PART**

(75) Inventor: **Jørgen Mejner Olsen**, Hillerød (DK)

(73) Assignee: **Widex A/S**, Værlose (DK)

(**) Term: **14 Years**

(21) Appl. No.: **29/266,483**

(22) Filed: **Sep. 22, 2006**

(30) **Foreign Application Priority Data**

Mar. 24, 2006 (EM) 000501374

(51) **LOC (8) Cl.** **24-99**

(52) **U.S. Cl.** **D24/174**

(58) **Field of Classification Search** D24/173,
D24/174, 175; D14/205, 223; 381/23.1,
381/312, 322-330, 380-382; 181/129, 130,
181/134, 135, 137

See application file for complete search history.

(56) **References Cited**

U.S. PATENT DOCUMENTS

3,539,031 A * 11/1970 Scanlon 181/129

4,150,262 A * 4/1979 Ono 381/326

D514,551 S * 2/2006 Lee et al. D14/223
D519,109 S * 4/2006 Perszyk et al. D14/223
D524,938 S * 7/2006 Schreiber D24/106
D526,313 S * 8/2006 Murray D14/223
2002/0136420 A1* 9/2002 Topholm 381/312
2006/0256990 A1* 11/2006 Holmes 381/330

* cited by examiner

Primary Examiner—Lou Zarfaz

Assistant Examiner—Anhdao Doan

(74) *Attorney, Agent, or Firm*—Sughrue Mion, PLLC

(57) **CLAIM**

The ornamental design for a hearing aid part, as shown and described.

DESCRIPTION

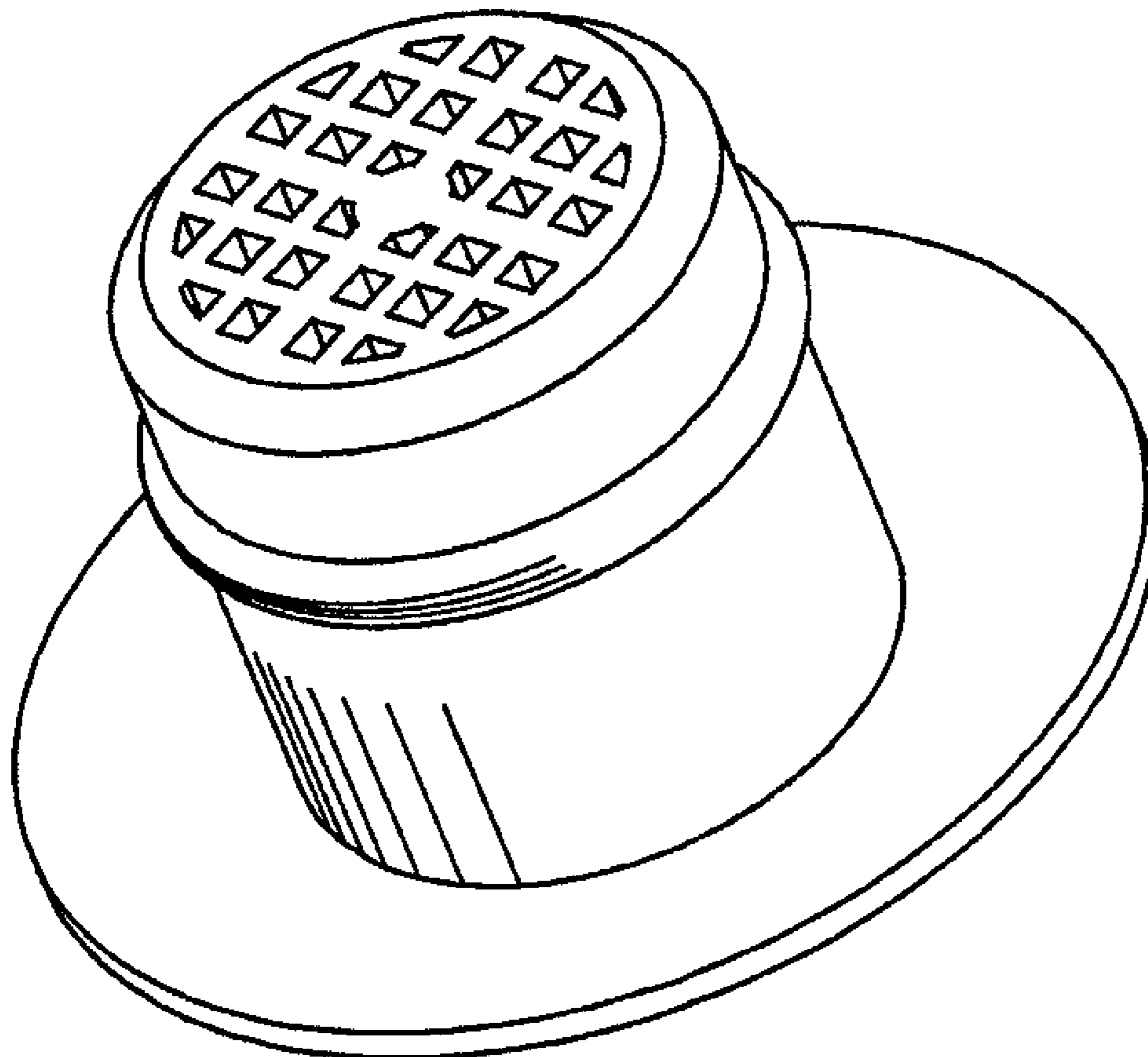
FIG. 1 is a perspective view of the rear and side of a hearing aid part according to a first embodiment;

FIG. 2 is a front view thereof. The broken lines in FIG. 2 are included for the purpose of illustrating a portion of the hearing aid part that forms no part of the claimed design;

FIG. 3 is a side view; and,

FIG. 4 is a rear view.

1 Claim, 1 Drawing Sheet



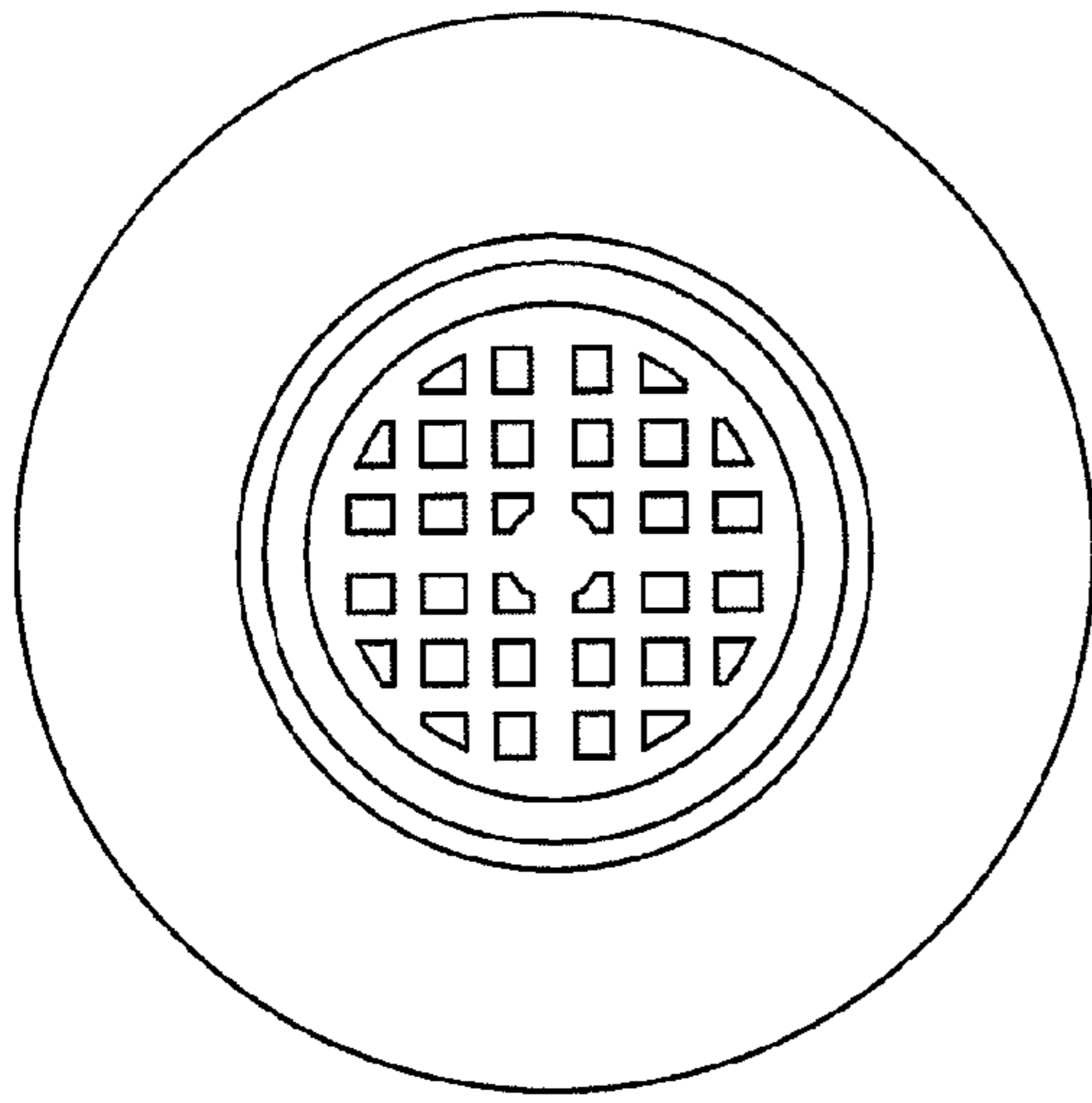


FIG. 4

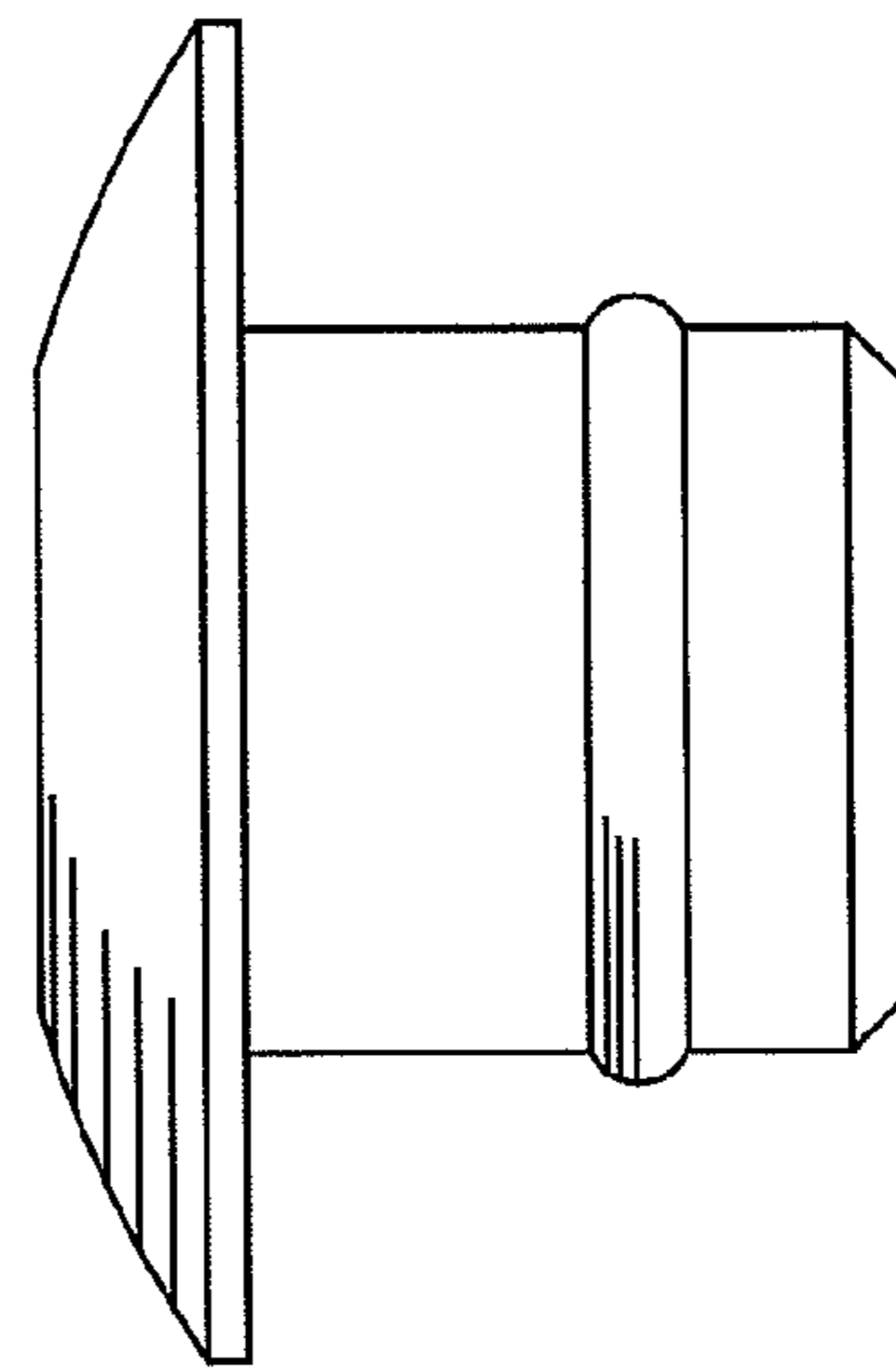


FIG. 3

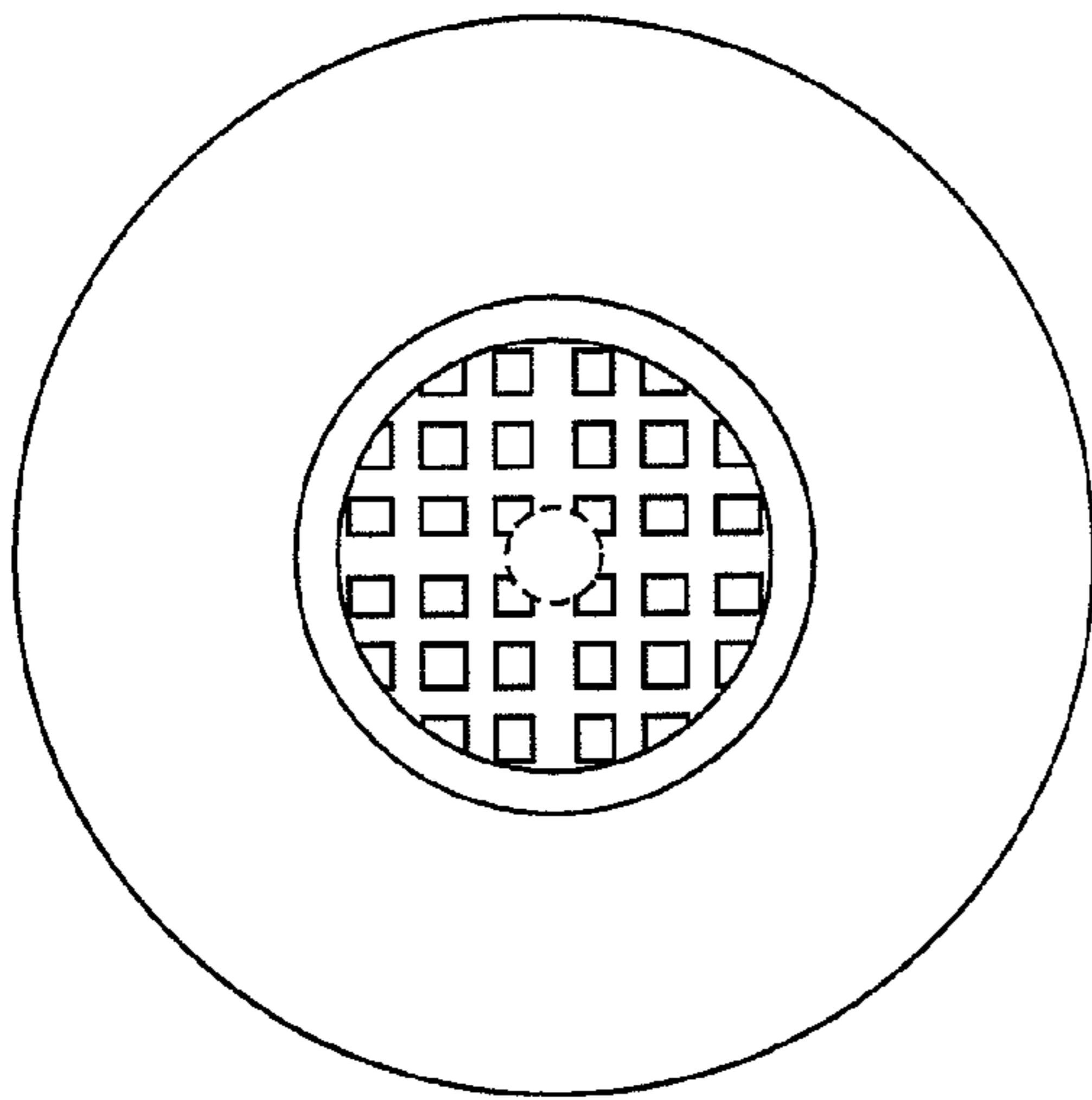


FIG. 2

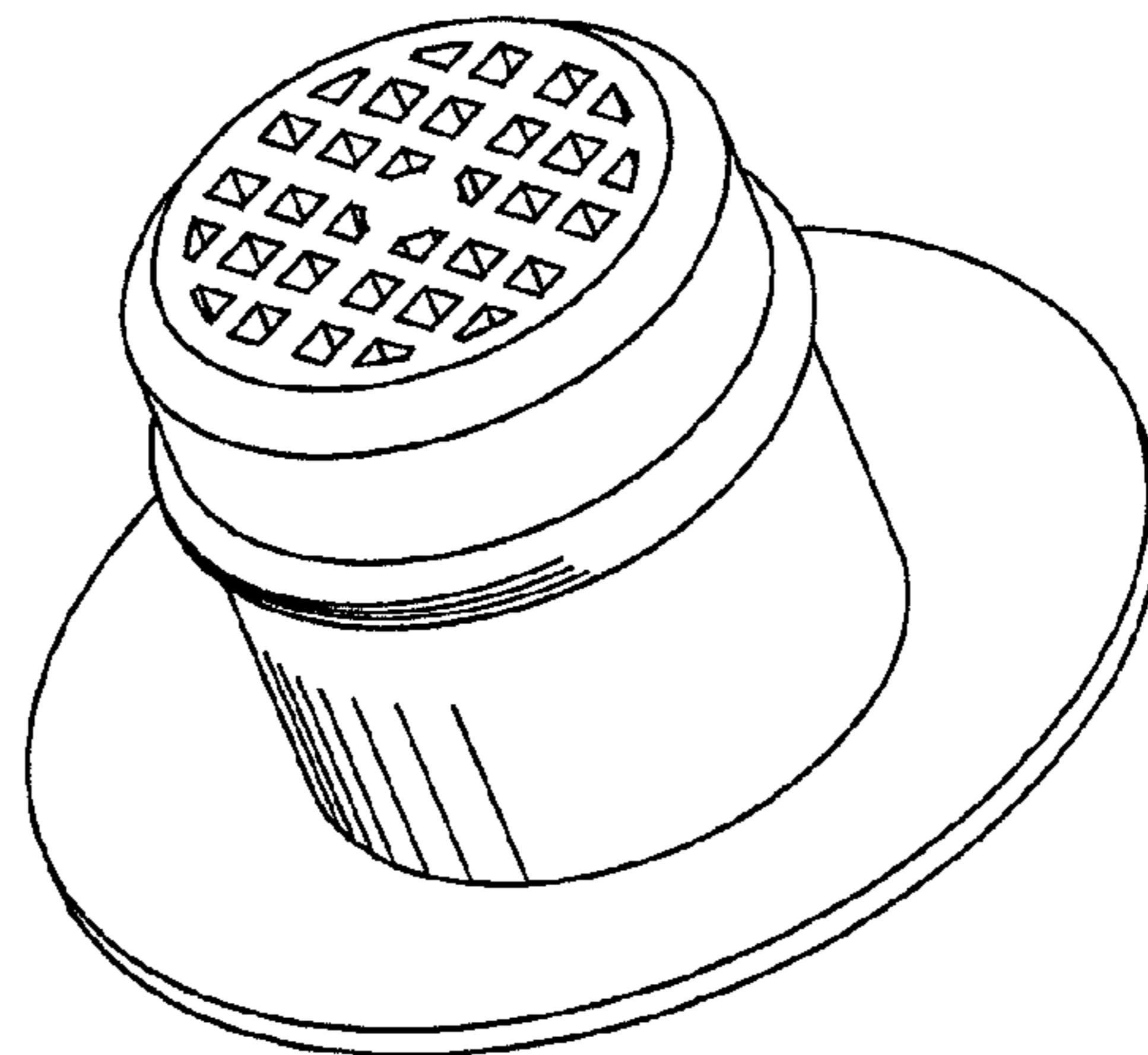


FIG. 1