

US00D570483S

(12) **United States Design Patent**
Endo

(10) **Patent No.:** **US D570,483 S**

(45) **Date of Patent:** **** Jun. 3, 2008**

(54) **SURGICAL CUTTING TOOL**

(75) Inventor: **Masahiro Endo**, Seki (JP)

(73) Assignee: **Kai R&D Center Co., Ltd.**, Gifu-ken (JP)

(**) Term: **14 Years**

(21) Appl. No.: **29/273,493**

(22) Filed: **Mar. 7, 2007**

(30) **Foreign Application Priority Data**

Sep. 8, 2006 (JP) 2006-024141

(51) **LOC (8) Cl.** **24-02**

(52) **U.S. Cl.** **D24/146**

(58) **Field of Classification Search** D24/146,
D24/147; D8/98; 606/131-133, 170, 171,
606/167, 161, 166, 566, 176-181; 30/50,
30/51, 41, 346-357

See application file for complete search history.

(56) **References Cited**

U.S. PATENT DOCUMENTS

4,443,939	A *	4/1984	Motta et al.	30/49
4,943,295	A	7/1990	Hartlaub et al.	
4,976,028	A *	12/1990	Chen	30/49
5,412,872	A *	5/1995	Iderosa	30/50
5,557,851	A *	9/1996	Ortiz	30/50
5,628,759	A *	5/1997	McCool et al.	606/167
5,674,234	A *	10/1997	McCool et al.	606/167
D392,738	S	3/1998	McCool et al.	
D402,367	S	12/1998	McCool et al.	
D404,486	S	1/1999	McCool et al.	
D410,542	S	6/1999	McCool et al.	

6,035,535	A *	3/2000	Dischler	30/48
D552,795	S *	10/2007	Wonderley	D28/46
2007/0244491	A1 *	10/2007	Russell	606/131

OTHER PUBLICATIONS

Color Brouchure—Premier Medical Products, Mar. 19, 2005.

* cited by examiner

Primary Examiner—Charles A. Rademaker

Assistant Examiner—Carissa C Fitts

(74) *Attorney, Agent, or Firm*—Harness Dickey & Pierce, P.L.C.

(57) **CLAIM**

The ornamental design for a surgical cutting tool, as shown and described.

DESCRIPTION

FIG. 1 is a front perspective view of a surgical cutting tool showing my new design;

FIG. 2 is a rear perspective view thereof;

FIG. 3 is a front view thereof;

FIG. 4 is a rear view thereof;

FIG. 5 is a top plan view thereof;

FIG. 6 is a bottom plan view thereof; and,

FIG. 7 is a right side elevational view thereof, the left side elevational view being a mirror image thereof.

The broken lines in the drawings are shown for illustrated purposes only and form no part of the claimed design. The dot-dashed lines denote the boundary of the claim, and form no part of the claimed design.

1 Claim, 5 Drawing Sheets

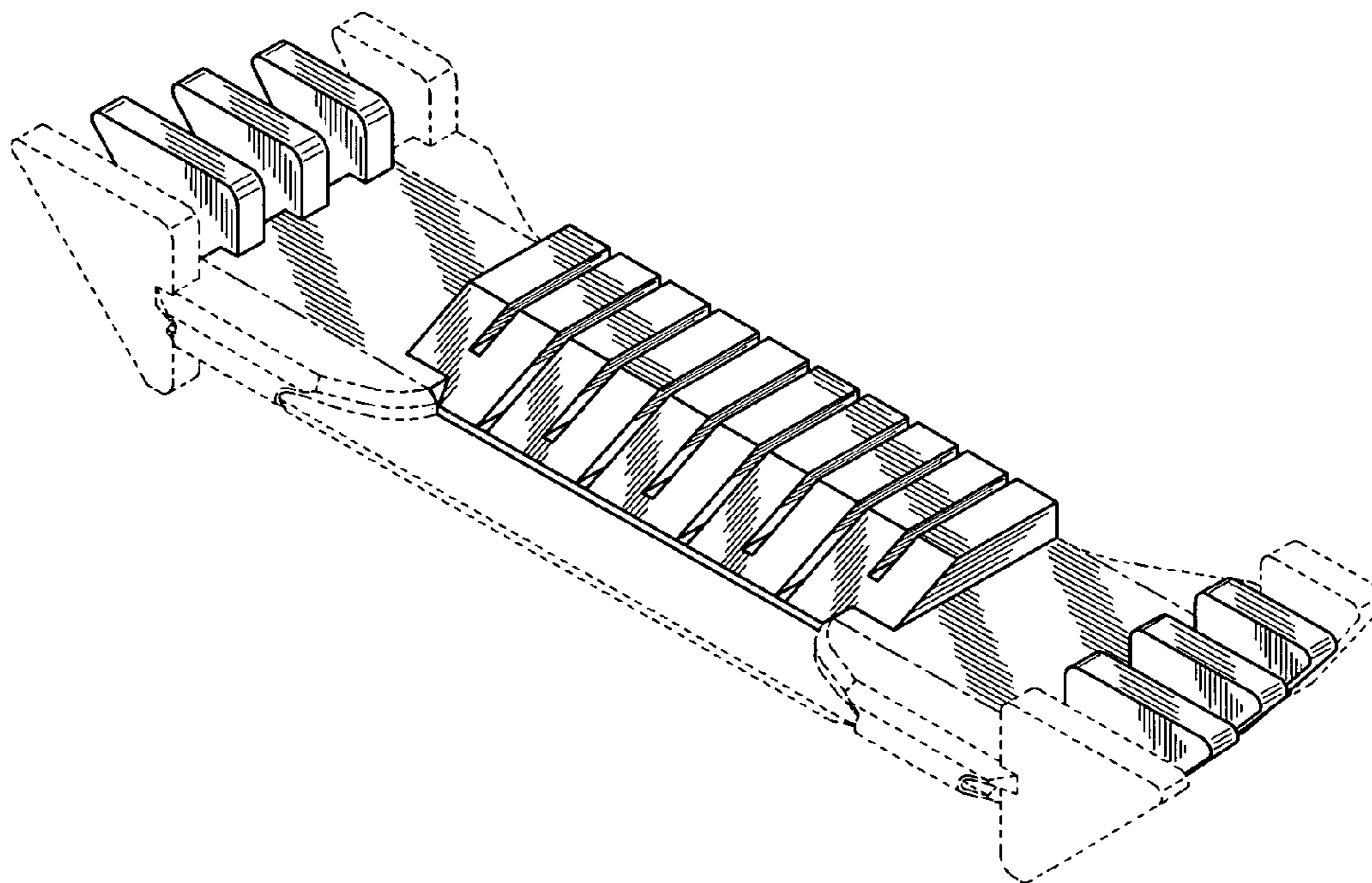


FIG. 1

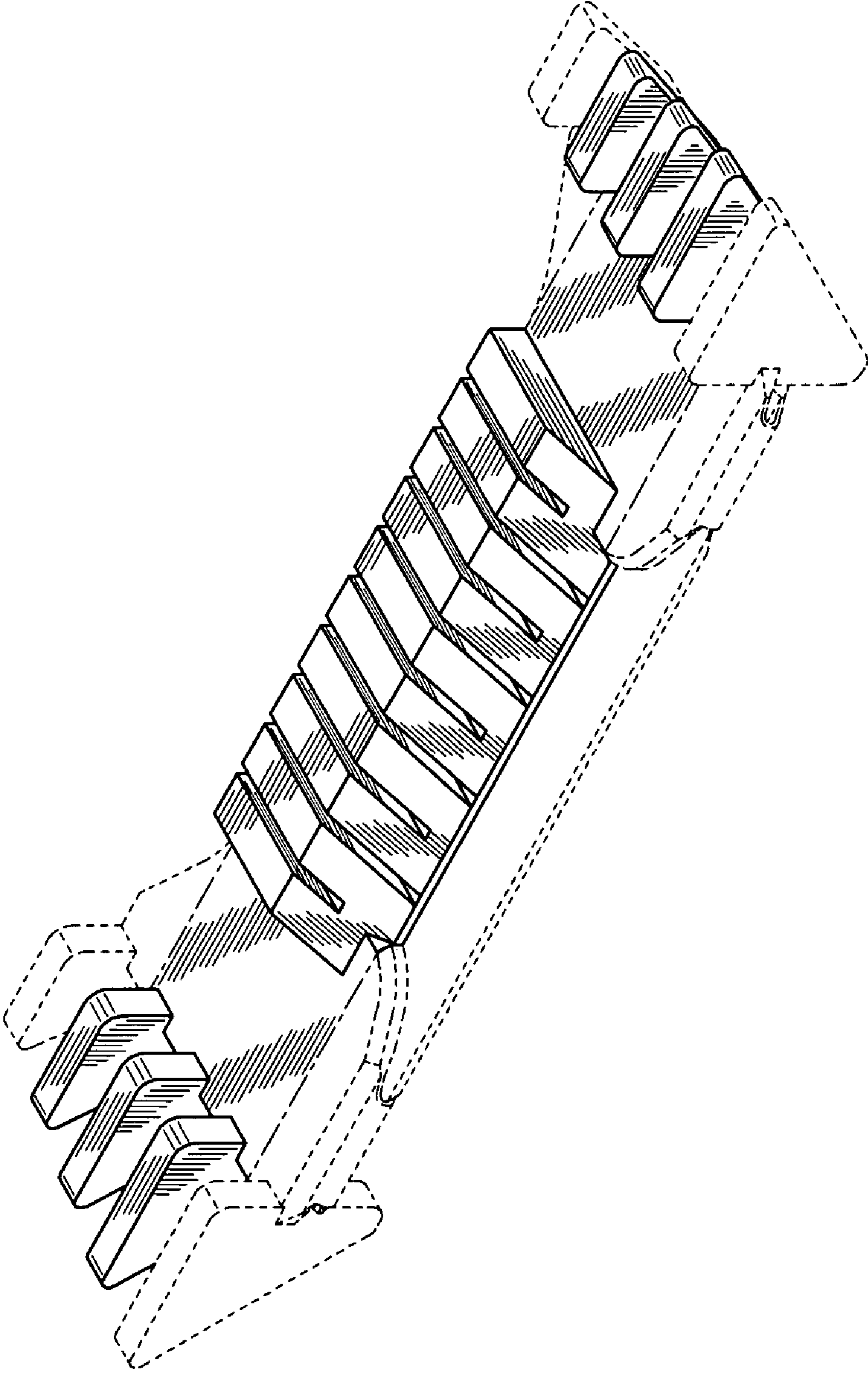


FIG. 2

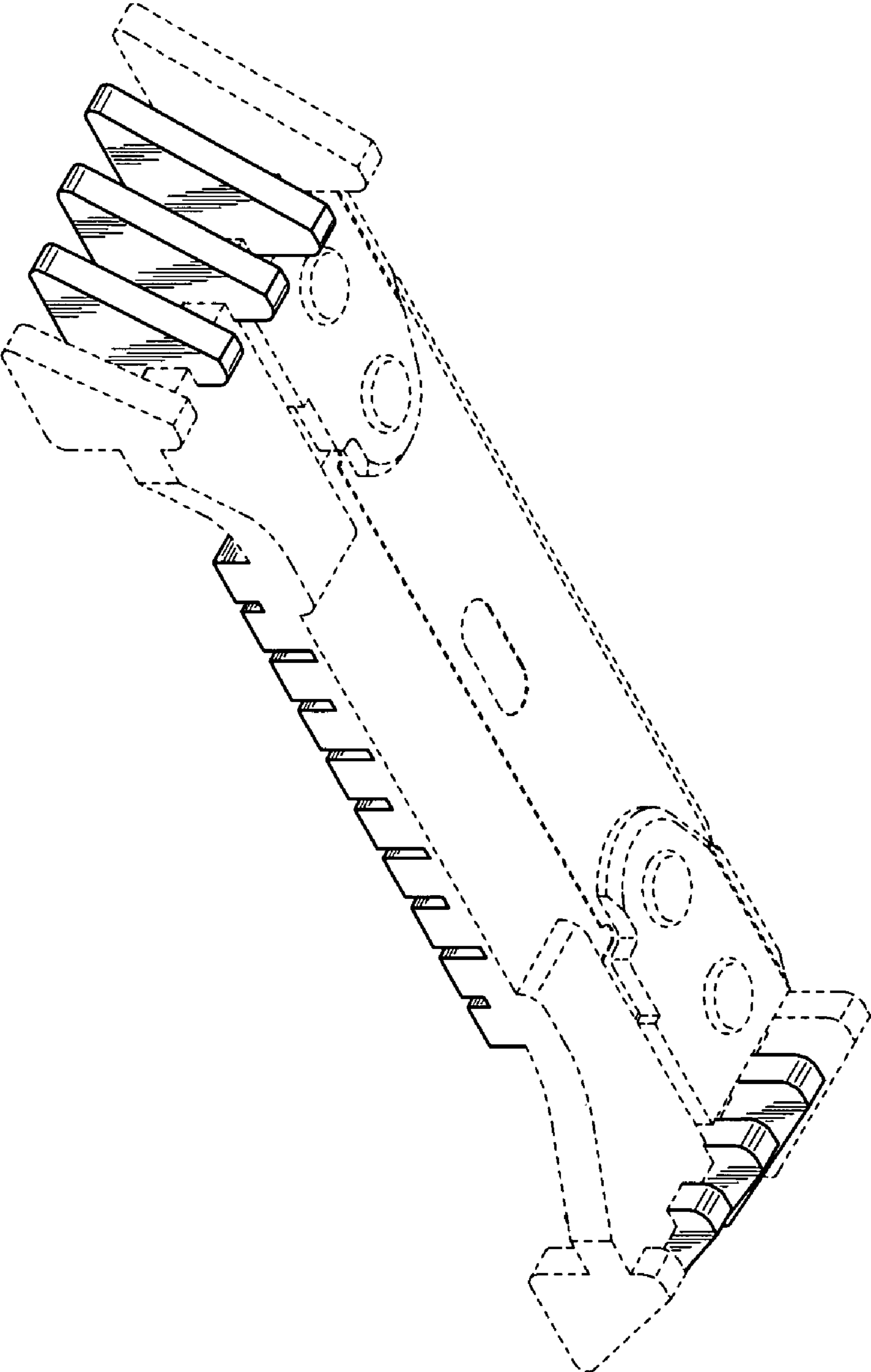


FIG. 3

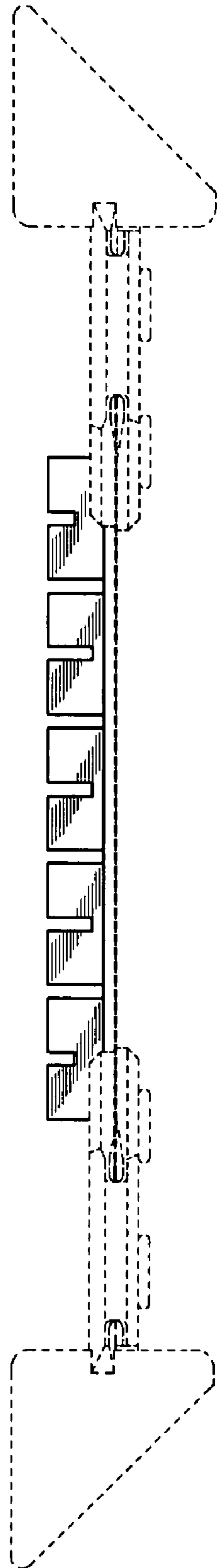


FIG. 4

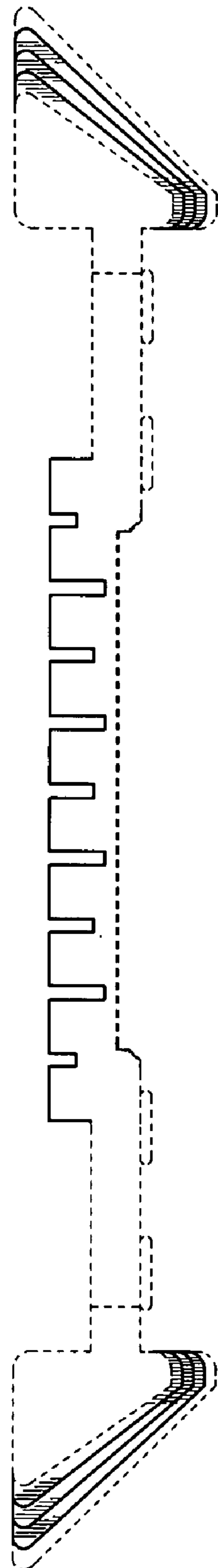


FIG. 5

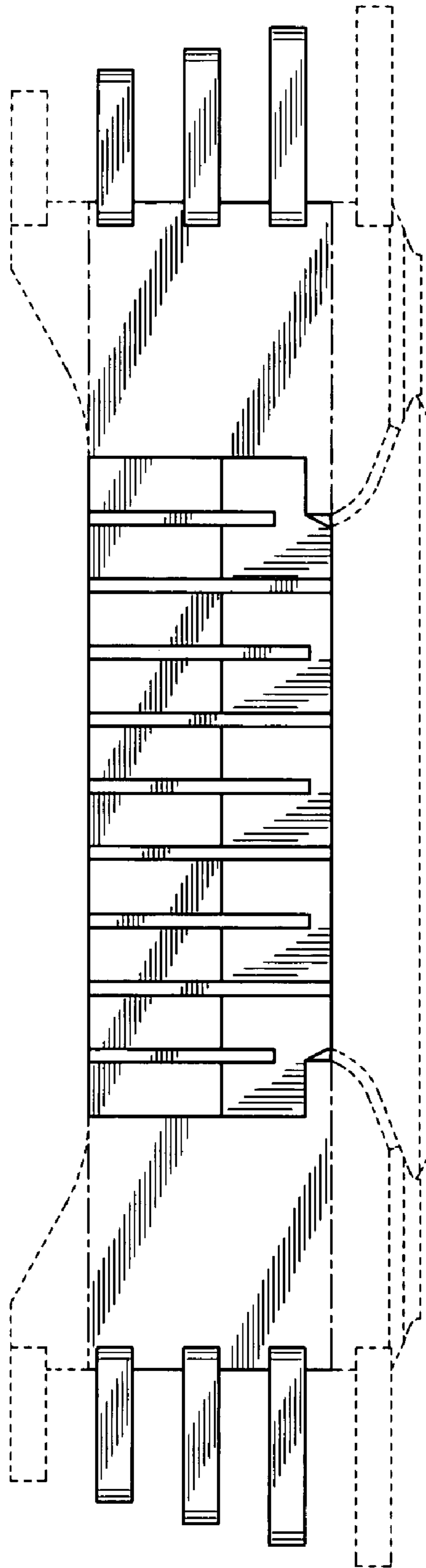


FIG. 6

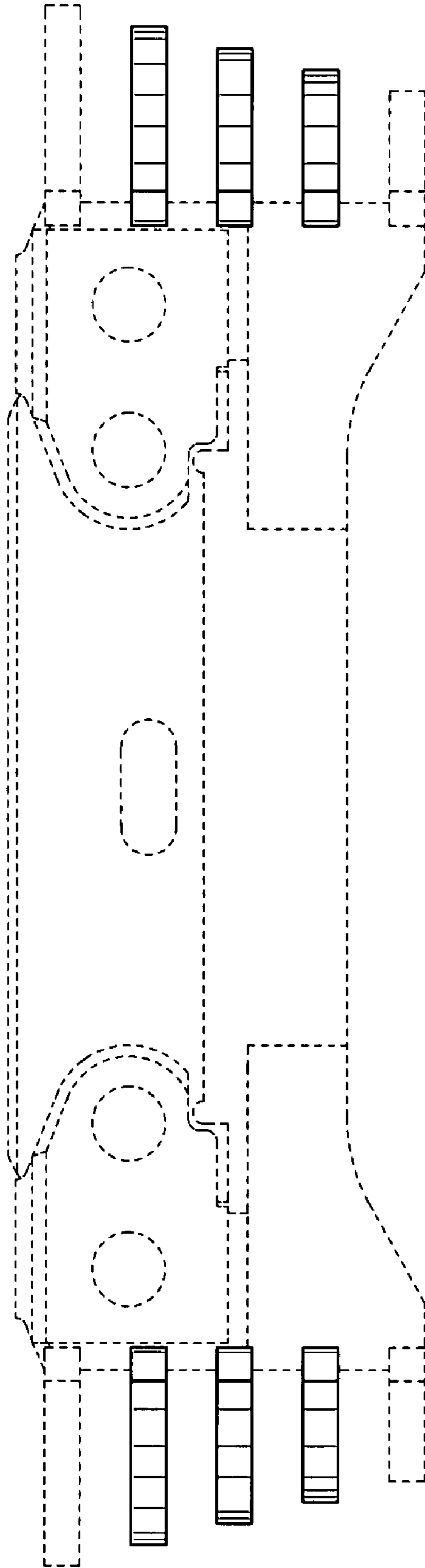


FIG. 7

