

US00D570479S

(12) **United States Design Patent**
Rehbein et al.

(10) **Patent No.:** **US D570,479 S**

(45) **Date of Patent:** **** Jun. 3, 2008**

(54) **MEDICAL INSTRUMENT**

(75) Inventors: **Stefan Rehbein**,
Immendingen-Hattingen (DE); **Frank**
Doll, Talheim (DE)

(73) Assignee: **Karl Storz GmbH & Co. KG** (DE)

(**) Term: **14 Years**

(21) Appl. No.: **29/259,192**

(22) Filed: **May 3, 2006**

(30) **Foreign Application Priority Data**

Nov. 7, 2005 (EM) 000428669

(51) **LOC (8) Cl.** **24-02**

(52) **U.S. Cl.** **D24/133; D24/108; D24/129;**
D24/137; D24/147

(58) **Field of Classification Search** D24/107,
D24/108, 111, 129, 133, 137, 138, 143, 147,
D24/145, 146, 149; 600/101, 104, 105, 112-114,
600/119, 120-123, 128, 131, 132, 135, 136,
600/138, 153, 154, 156, 157, 158, 162; 604/523;
606/46, 49, 170, 180, 41; 285/316; 128/898
See application file for complete search history.

(56) **References Cited**

U.S. PATENT DOCUMENTS

1,021,810 A * 4/1912 Wappler et al. 600/135
2,129,391 A * 9/1938 Wappler 600/104
3,850,162 A * 11/1974 Iglesias 600/105
3,939,840 A * 2/1976 Storz 606/46
4,430,996 A * 2/1984 Bonnet 606/46
4,606,330 A * 8/1986 Bonnet 607/128
4,607,620 A * 8/1986 Storz 600/101
5,024,212 A * 6/1991 Bonnet et al. 600/119

5,807,240 A * 9/1998 Muller et al. 600/135
D536,787 S * 2/2007 Rehbein et al. D24/133
D546,450 S * 7/2007 Wolf D24/146
D559,980 S * 1/2008 Rehbein et al. D24/133
2001/0025177 A1 * 9/2001 Woloszko et al. 606/41
2004/0064139 A1 * 4/2004 Yossepowitch 606/46
2007/0038215 A1 * 2/2007 Hahn 606/46

OTHER PUBLICATIONS

Karl Storz Advertising Literature—Storz The World of Endoscopy,
Gynecology, 4th Edition Jan. 2003.

Karl Storz Advertising Literature—Storz The World of Endoscopy,
Urology, 7th Edition Jan. 2003.

* cited by examiner

Primary Examiner—Ian Simmons
Assistant Examiner—Carissa C Fitts

(74) *Attorney, Agent, or Firm*—St. Onge Steward Johnston
& Reens LLC

(57) **CLAIM**

The ornamental design for a medical instrument, as shown
and described.

DESCRIPTION

FIG. 1 is a front perspective view of a medical instrument in
accordance with the new design;

FIG. 2 is a front view thereof;

FIG. 3 is a rear view thereof;

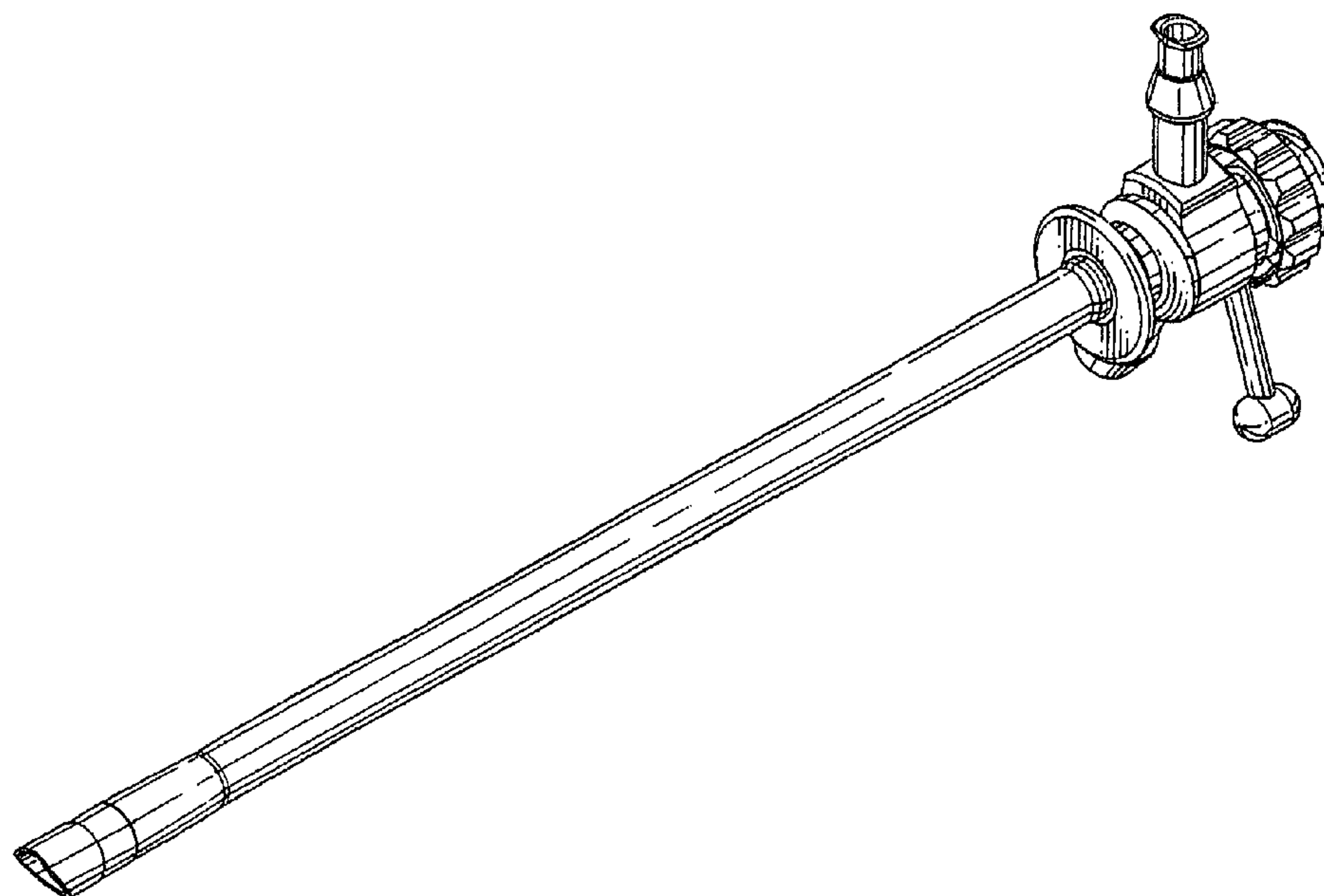
FIG. 4 is a top view thereof;

FIG. 5 is a bottom view thereof;

FIG. 6 is a right side view thereof; and,

FIG. 7 is a left side view thereof.

1 Claim, 7 Drawing Sheets



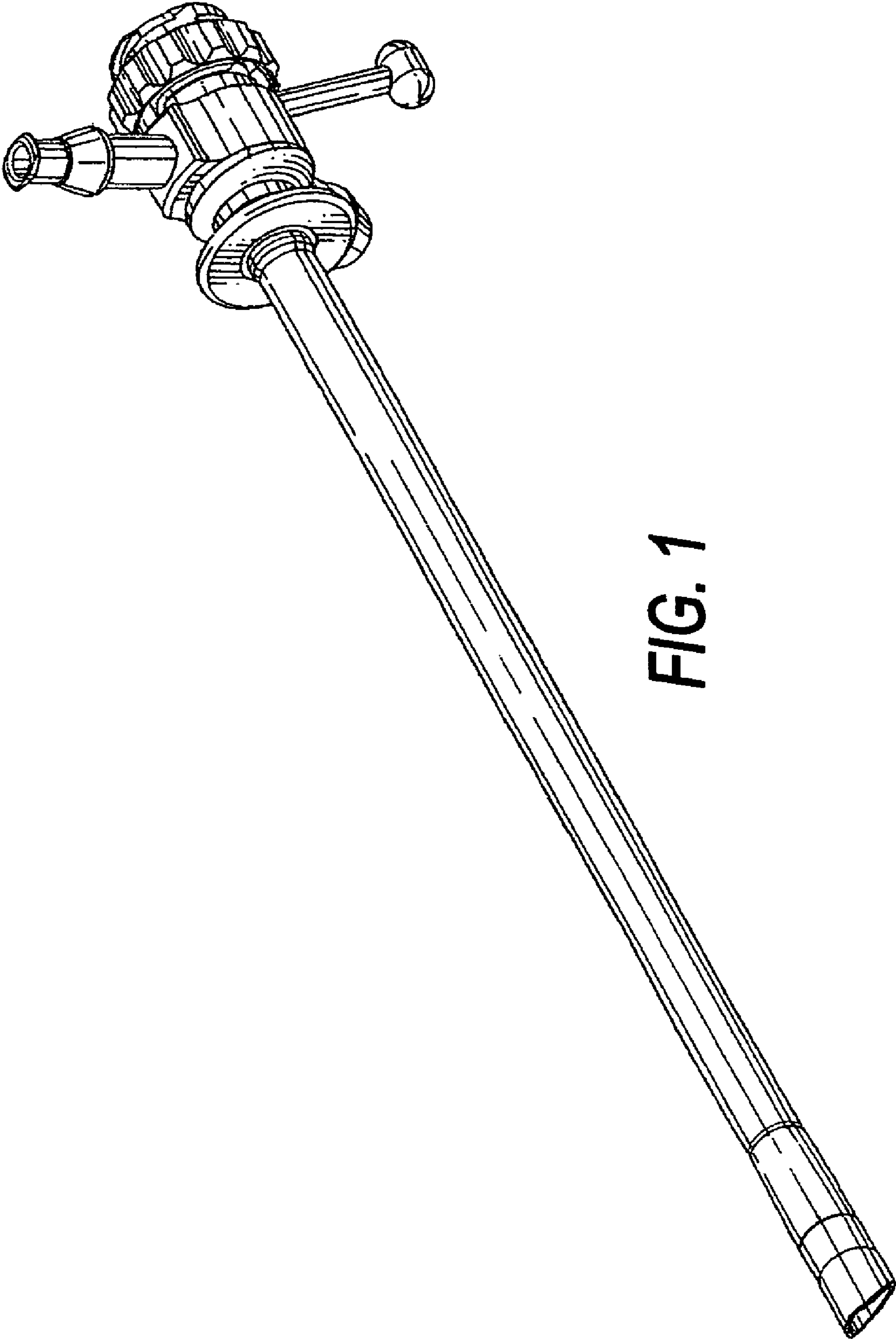


FIG. 1

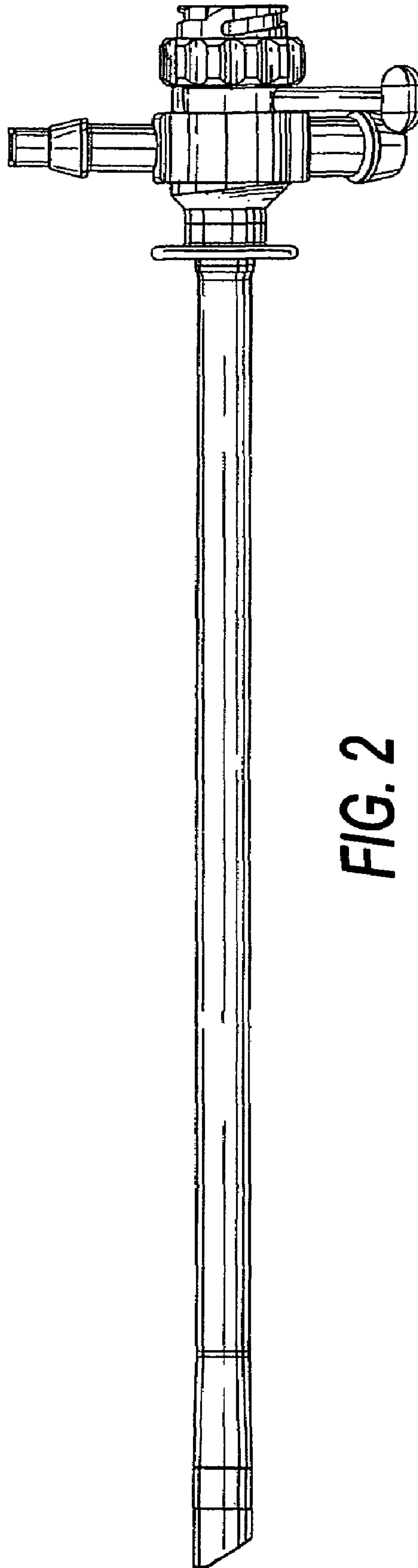


FIG. 2

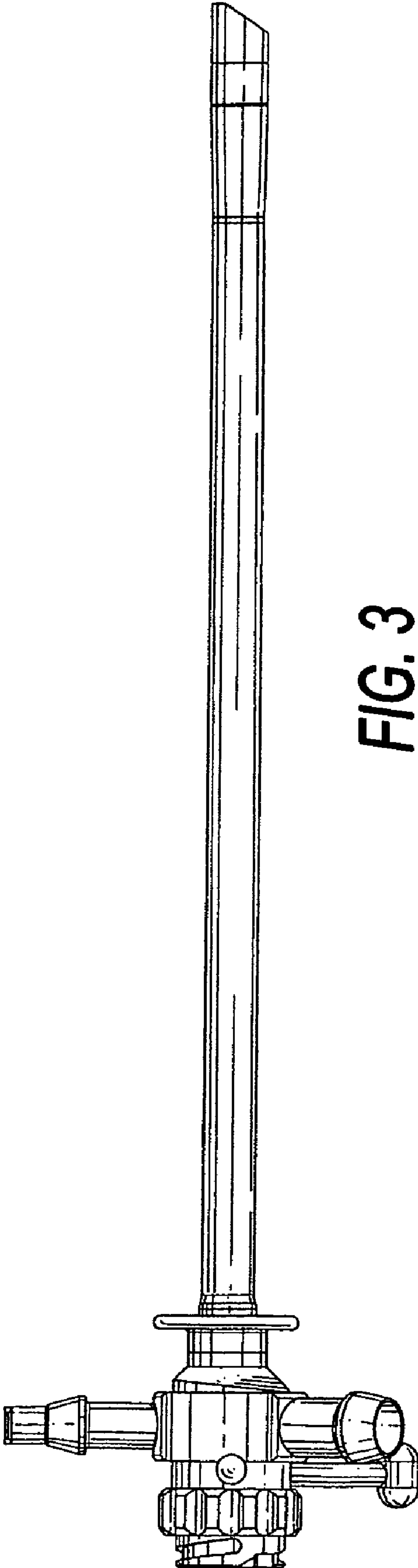


FIG. 3

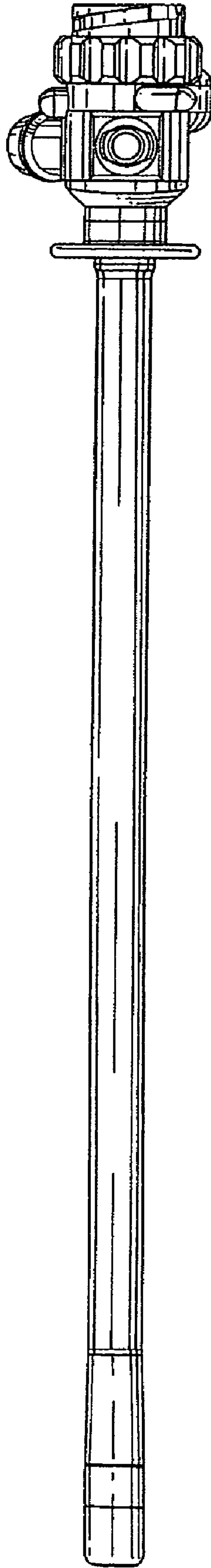


FIG. 4

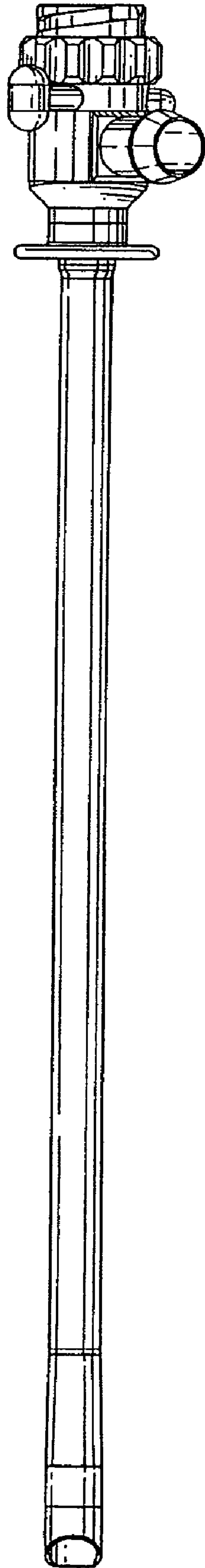


FIG. 5

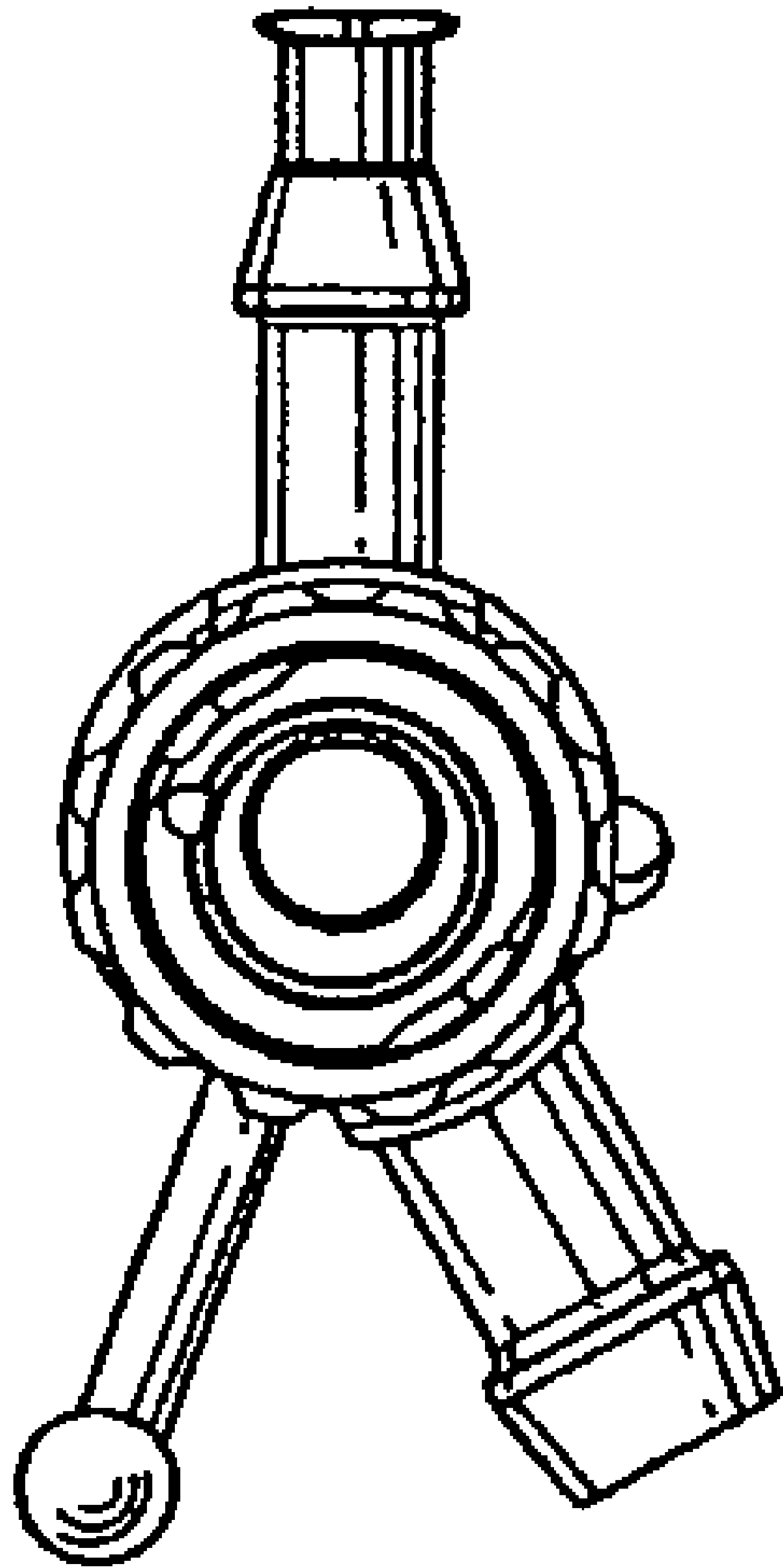


FIG. 6

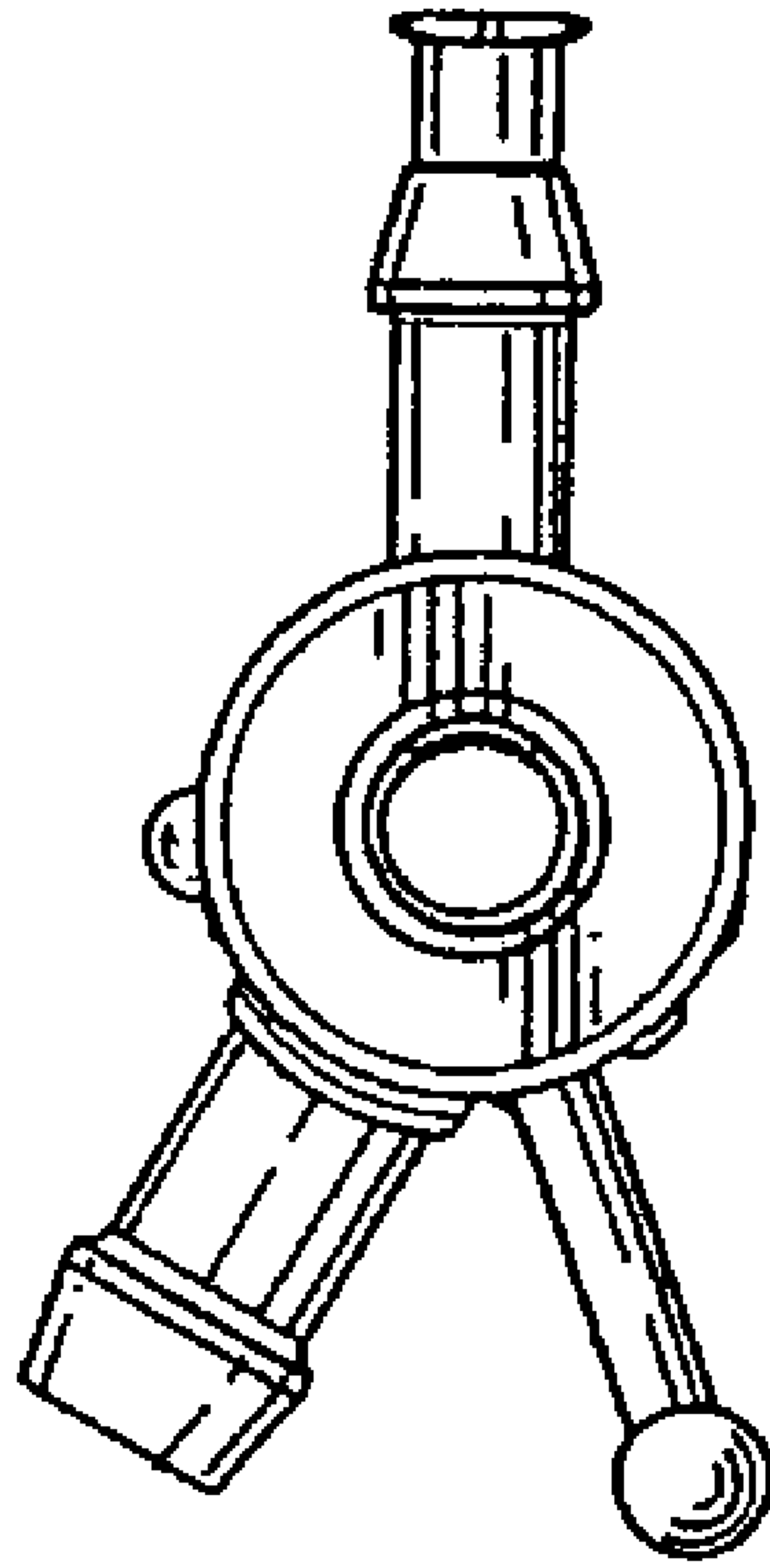


FIG. 7