

US00D570476S

(12) **United States Design Patent**
Sudo

(10) **Patent No.:** **US D570,476 S**
(45) **Date of Patent:** **** Jun. 3, 2008**

(54) **SYRINGE BARREL**
(75) Inventor: **Masamichi Sudo**, Tokyo (JP)
(73) Assignee: **Daikyo Seiko, Ltd.**, Tokyo (JP)
(**) Term: **14 Years**

(21) Appl. No.: **29/274,977**
(22) Filed: **Jun. 14, 2007**

(30) **Foreign Application Priority Data**
Dec. 15, 2006 (JP) 2006-034418

(51) **LOC (8) Cl.** **24-02**
(52) **U.S. Cl.** **D24/130**
(58) **Field of Classification Search** D24/112,
D24/114, 130; 604/181, 195, 110, 130, 87,
604/227, 232, 228, 191, 220, 222, 224, 218;
D20/42
See application file for complete search history.

(56) **References Cited**
U.S. PATENT DOCUMENTS
1,694,766 A * 12/1928 Brown 604/206
1,795,569 A * 3/1931 McCree 138/141
D99,428 S * 4/1936 Beardsley D19/56
2,369,304 A * 2/1945 Lewis 604/209
4,562,844 A * 1/1986 Carpenter et al. 600/488
4,744,790 A * 5/1988 Jankowski et al. 604/232
5,035,703 A * 7/1991 Baskas 606/167
5,411,485 A * 5/1995 Tennican et al. 604/191

D416,286 S * 11/1999 Paras et al. D19/49
6,155,420 A * 12/2000 Phillips 206/364
D515,222 S * 2/2006 Kieffer D25/122
7,198,619 B2 * 4/2007 Bills et al. 604/218
2003/0040718 A1 * 2/2003 Kust et al. 604/224
2005/0196080 A1 * 9/2005 Stone et al. 383/119
2007/0232995 A1 * 10/2007 Samsoundar 604/93.01
* cited by examiner

Primary Examiner—Louis S Zarfaz
Assistant Examiner—Eric L Goodman
(74) *Attorney, Agent, or Firm*—Edwards Angell Palmer & Dodge LLP

(57) **CLAIM**

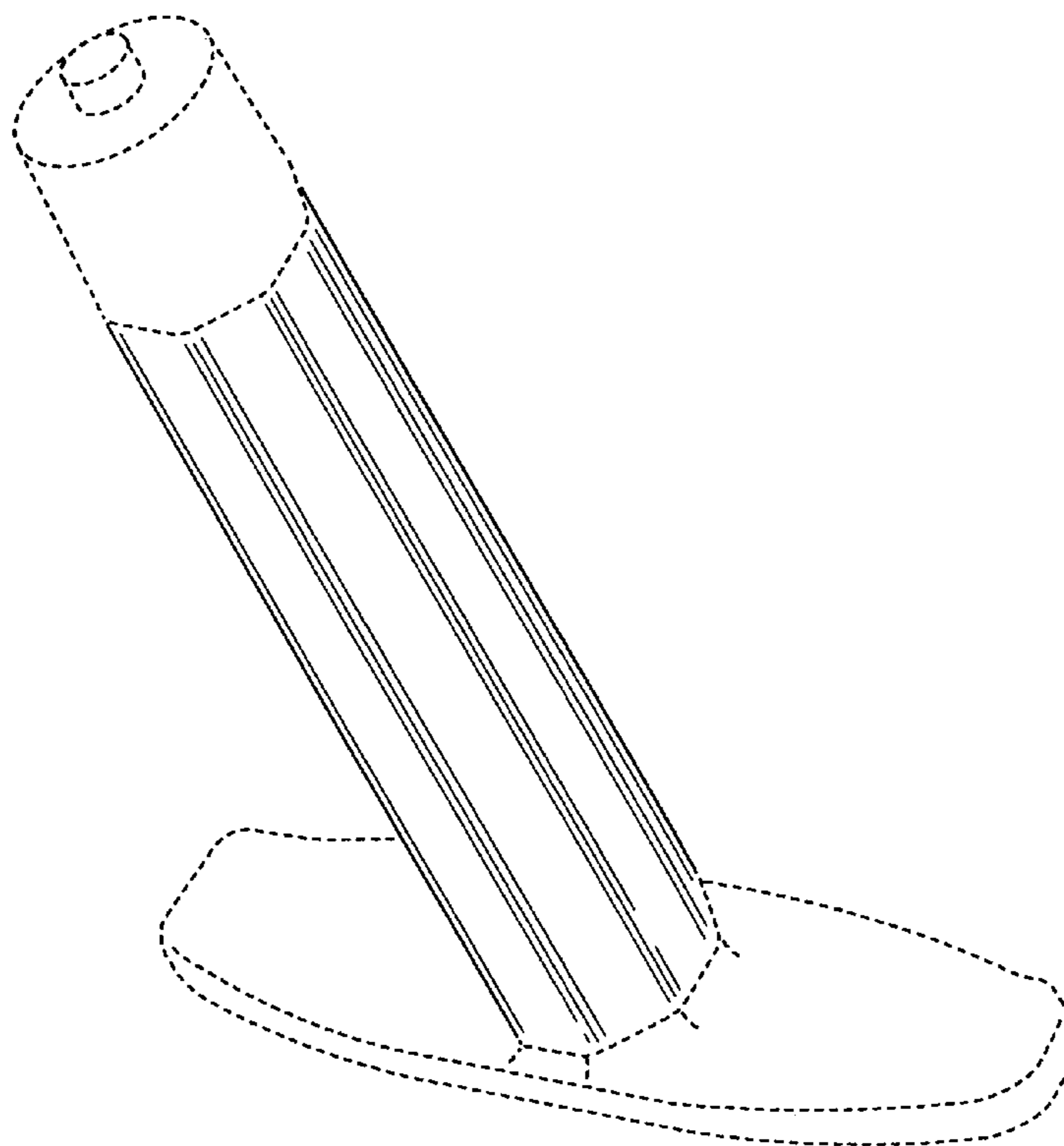
The ornamental design for a syringe barrel, as shown and described.

DESCRIPTION

FIG. 1 is a perspective view of the syringe barrel;
FIG. 2 is a front/back view thereof;
FIG. 3 is a left/right side view thereof;
FIG. 4 is a top view thereof;
FIG. 5 is a bottom view thereof; and,
FIG. 6 is a cross-sectional view along the line 6—6 in FIG. 4.

The broken line showing is included for the purpose of illustrating portions of the article and forms no part of the claimed design.

1 Claim, 5 Drawing Sheets



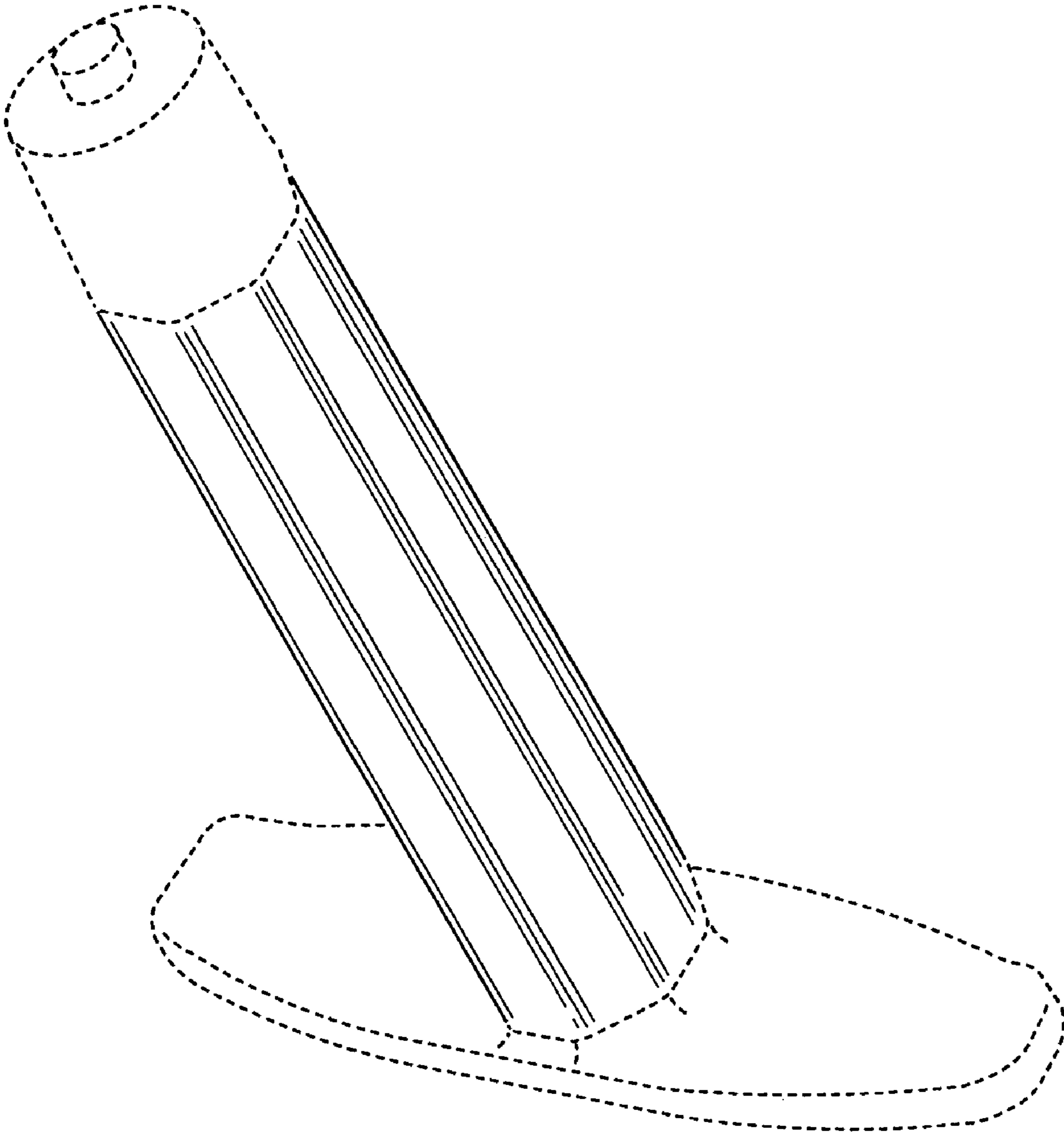


FIG. 1

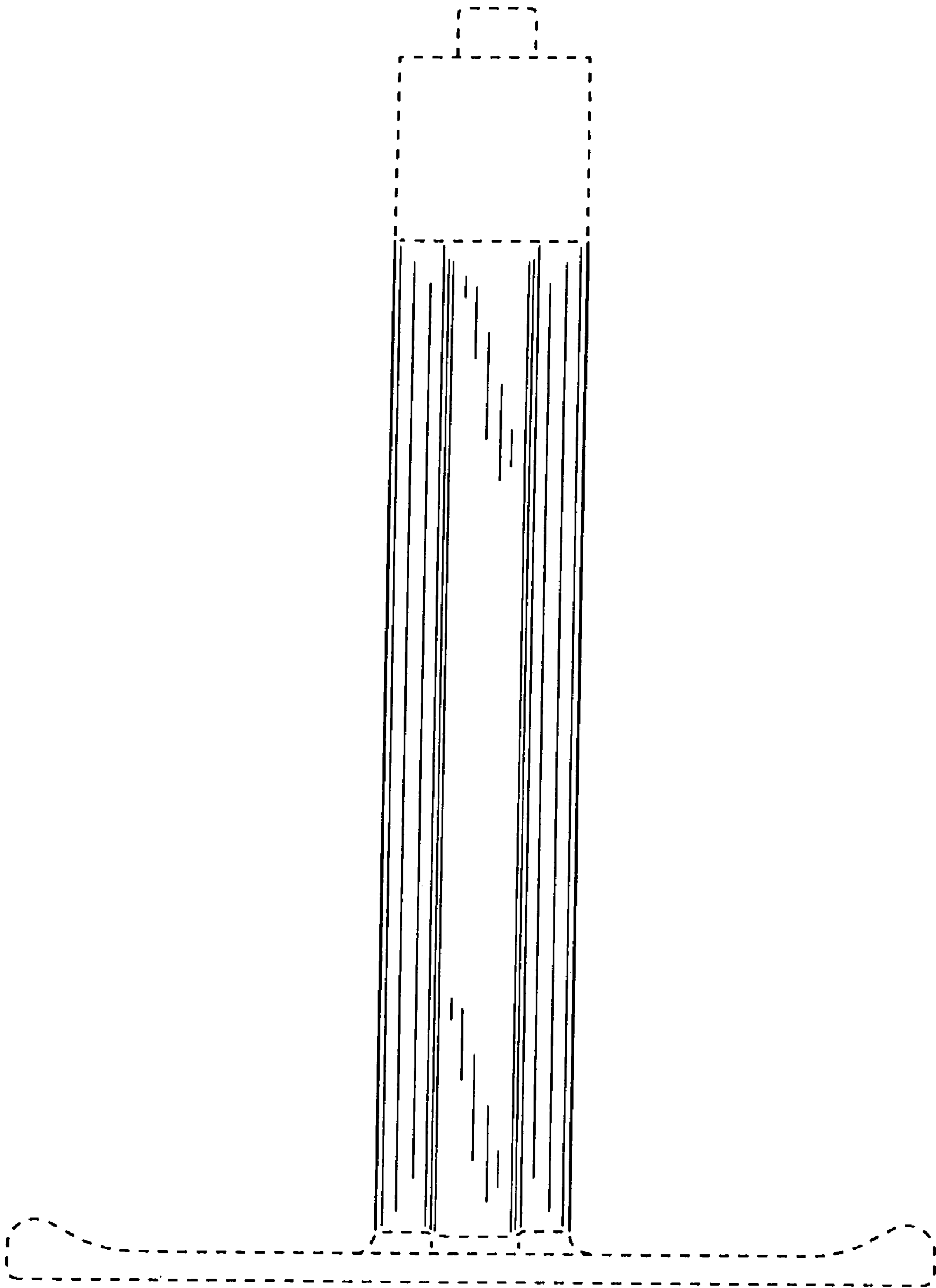


FIG.2

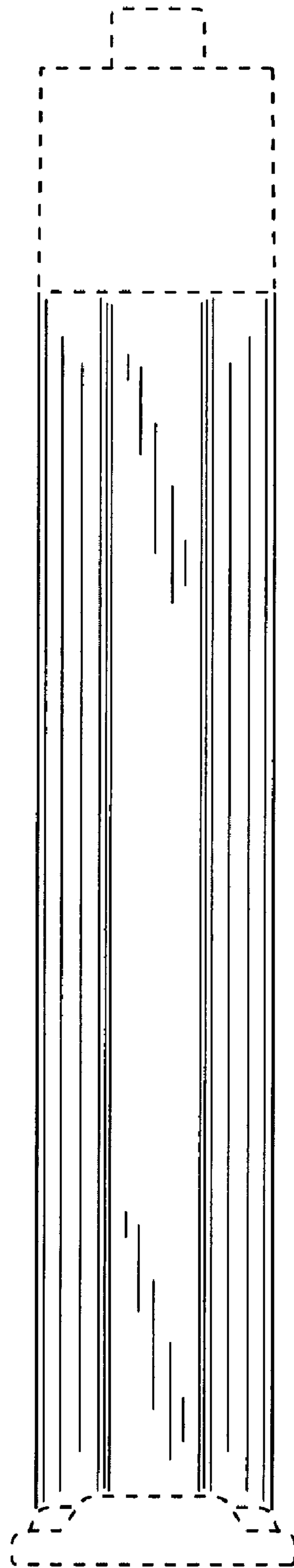


FIG.3

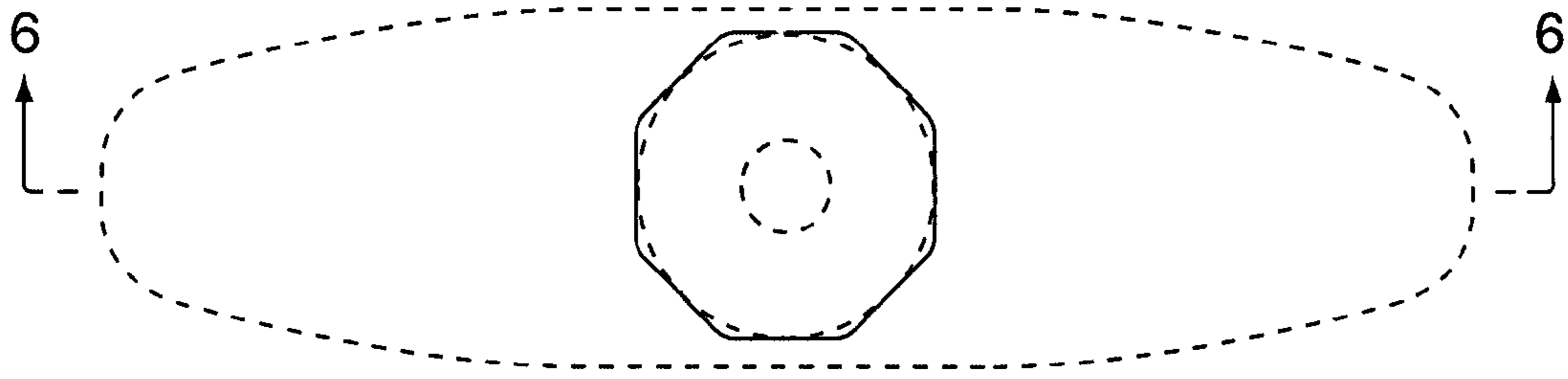


FIG. 4

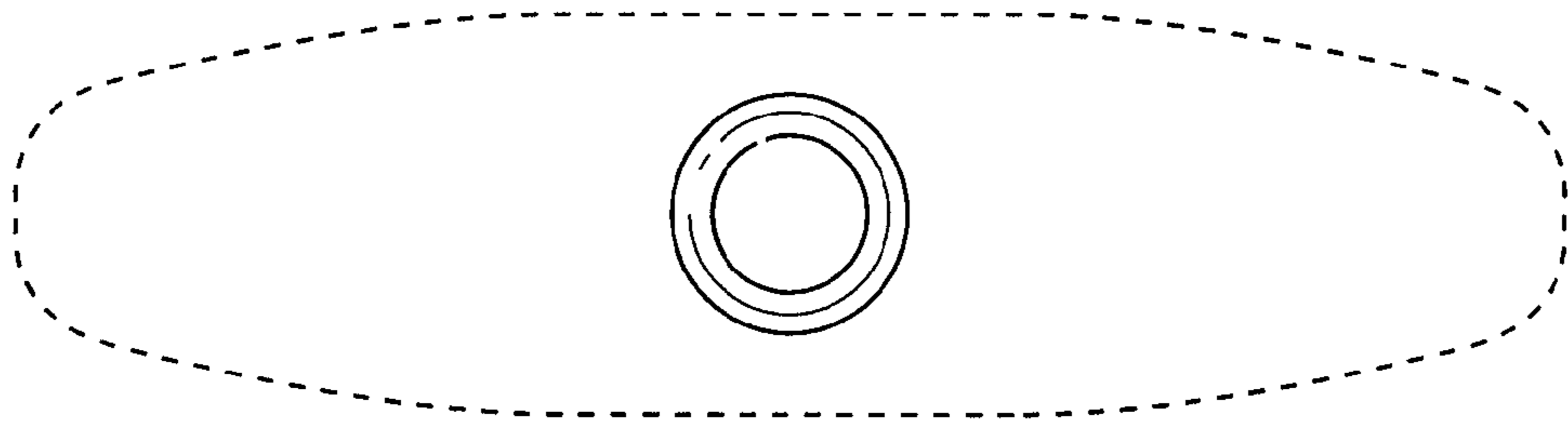


FIG. 5

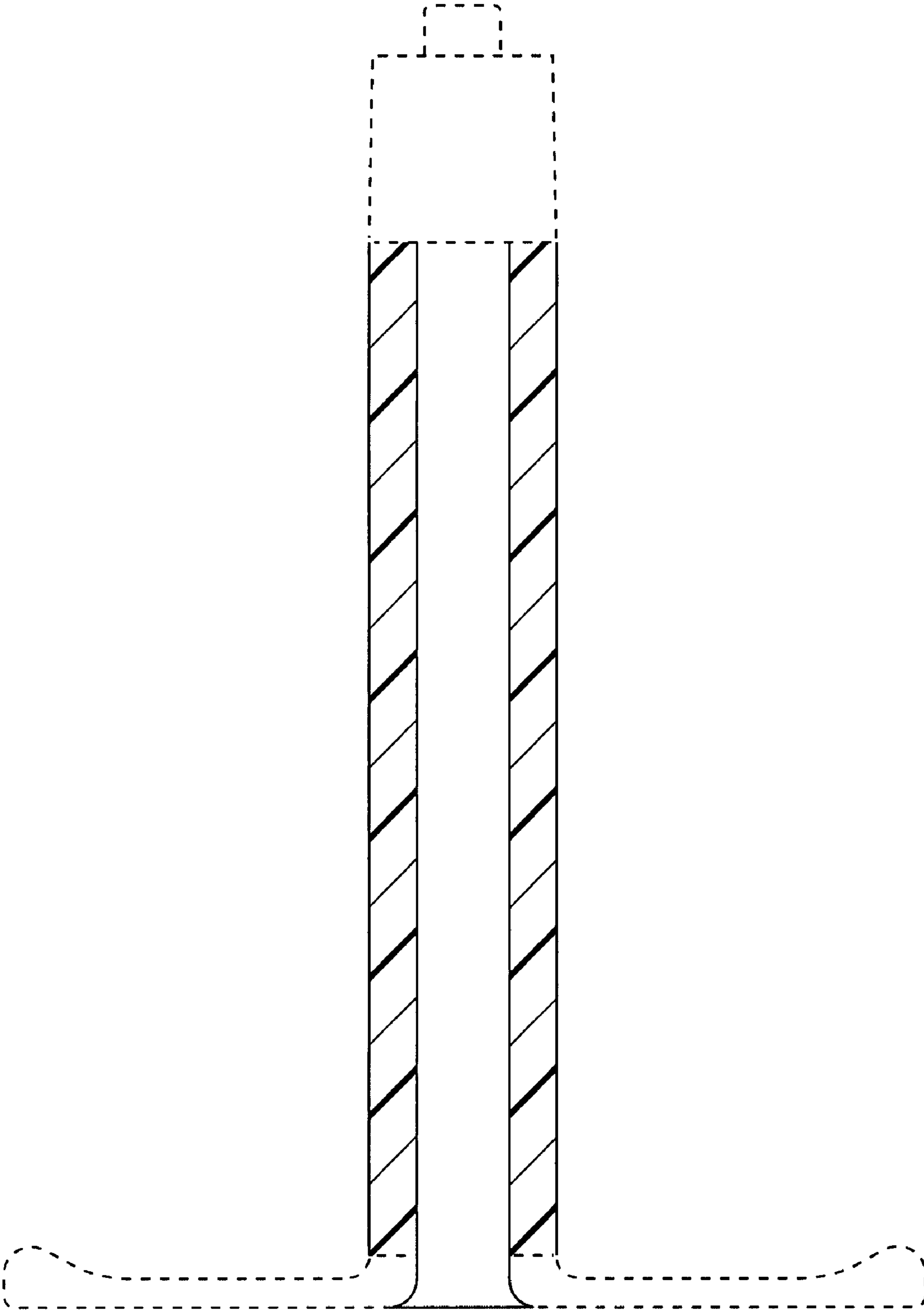


FIG.6