



US00D570474S

(12) **United States Design Patent**  
**Lin**

(10) **Patent No.:** **US D570,474 S**

(45) **Date of Patent:** **\*\* Jun. 3, 2008**

(54) **MASK**

2003/0154984 A1\* 8/2003 Fernandes ..... 128/205.27

(76) Inventor: **Jing-Jyr Lin**, No. 27-1, Jhaiming St.,  
Taoyuan County (TW)

\* cited by examiner

(\*\*) Term: **14 Years**

*Primary Examiner*—Ian Simmons

*Assistant Examiner*—Christopher Lee

(21) Appl. No.: **29/270,289**

(74) *Attorney, Agent, or Firm*—Rosenberg, Klein & Lee

(22) Filed: **Dec. 20, 2006**

(57) **CLAIM**

The ornamental design for a mask, as shown.

(51) **LOC (8) Cl.** ..... **29-02**

(52) **U.S. Cl.** ..... **D24/110.1; D24/110.4**

(58) **Field of Classification Search** ..... D24/110,  
D24/110.1, 110.4, 110.5; 128/206.12, 105.27,  
128/205.29, 206.17, 206.19, 206.21

See application file for complete search history.

**DESCRIPTION**

FIG. 1 is a perspective view of the mask;

FIG. 2 is a front view of the mask;

FIG. 3 is a back view of the mask;

FIG. 4 is a left side view of the mask;

FIG. 5 is a right side view of the mask;

FIG. 6 is a top view of the mask; and,

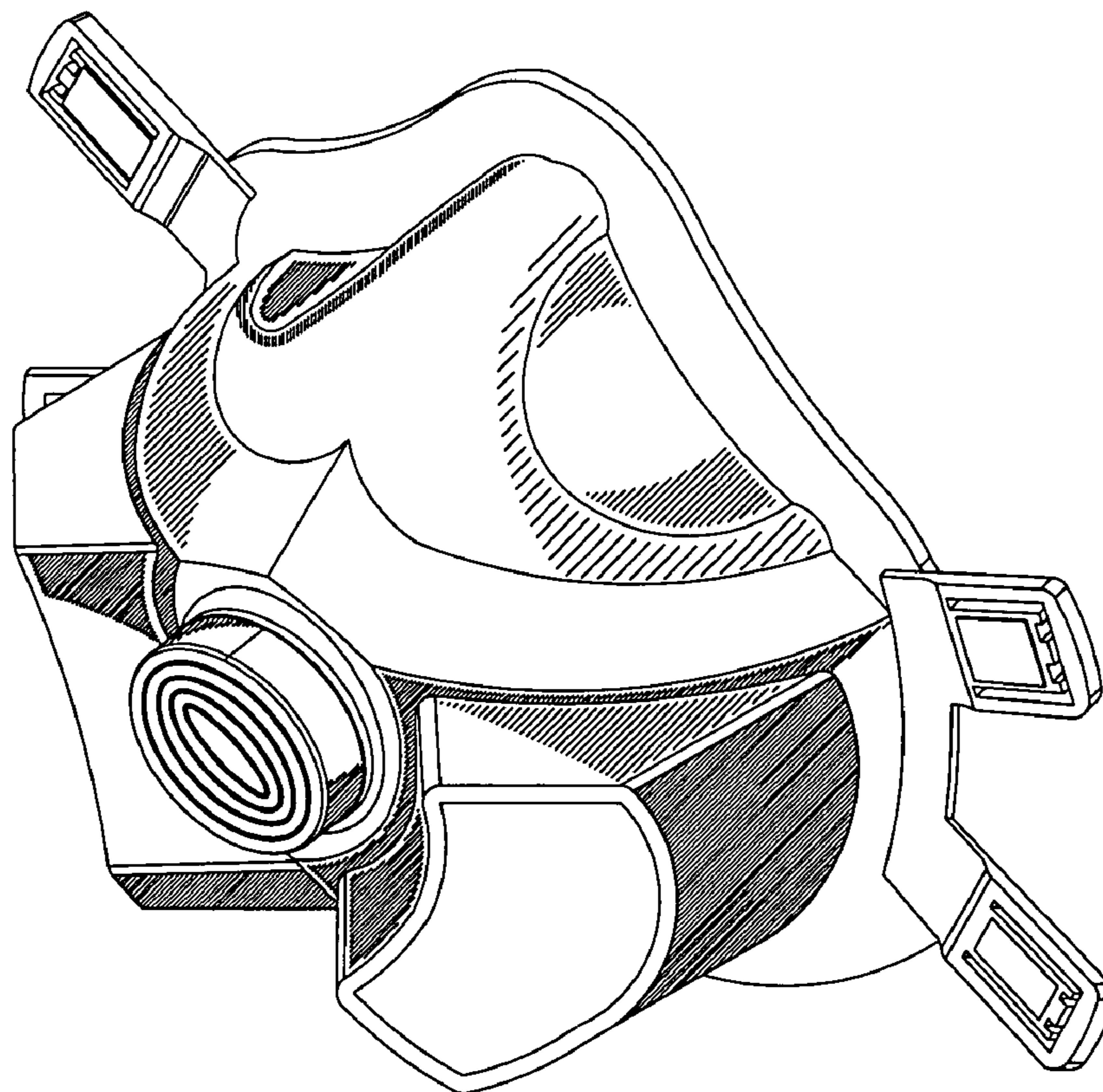
FIG. 7 is a bottom view of the mask.

(56) **References Cited**

**U.S. PATENT DOCUMENTS**

D430,663	S	*	9/2000	Smart	.....	D24/110.4
D447,557	S	*	9/2001	Wilkie et al.	.....	D24/110.5
D477,074	S	*	7/2003	Rudolph et al.	.....	D24/110.4
D483,477	S	*	12/2003	Ankey et al.	.....	D24/110.4

**1 Claim, 7 Drawing Sheets**



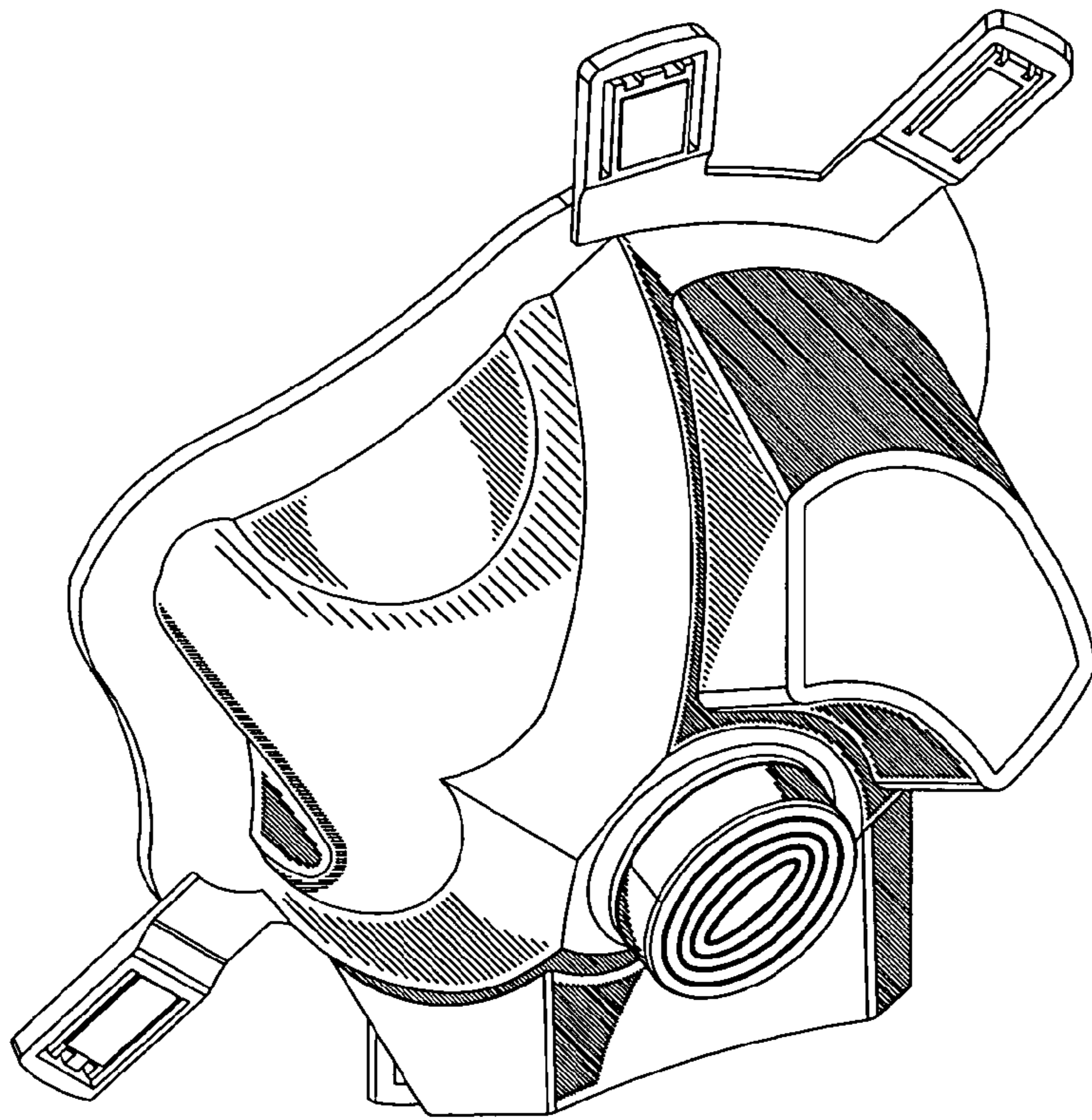


FIG.1

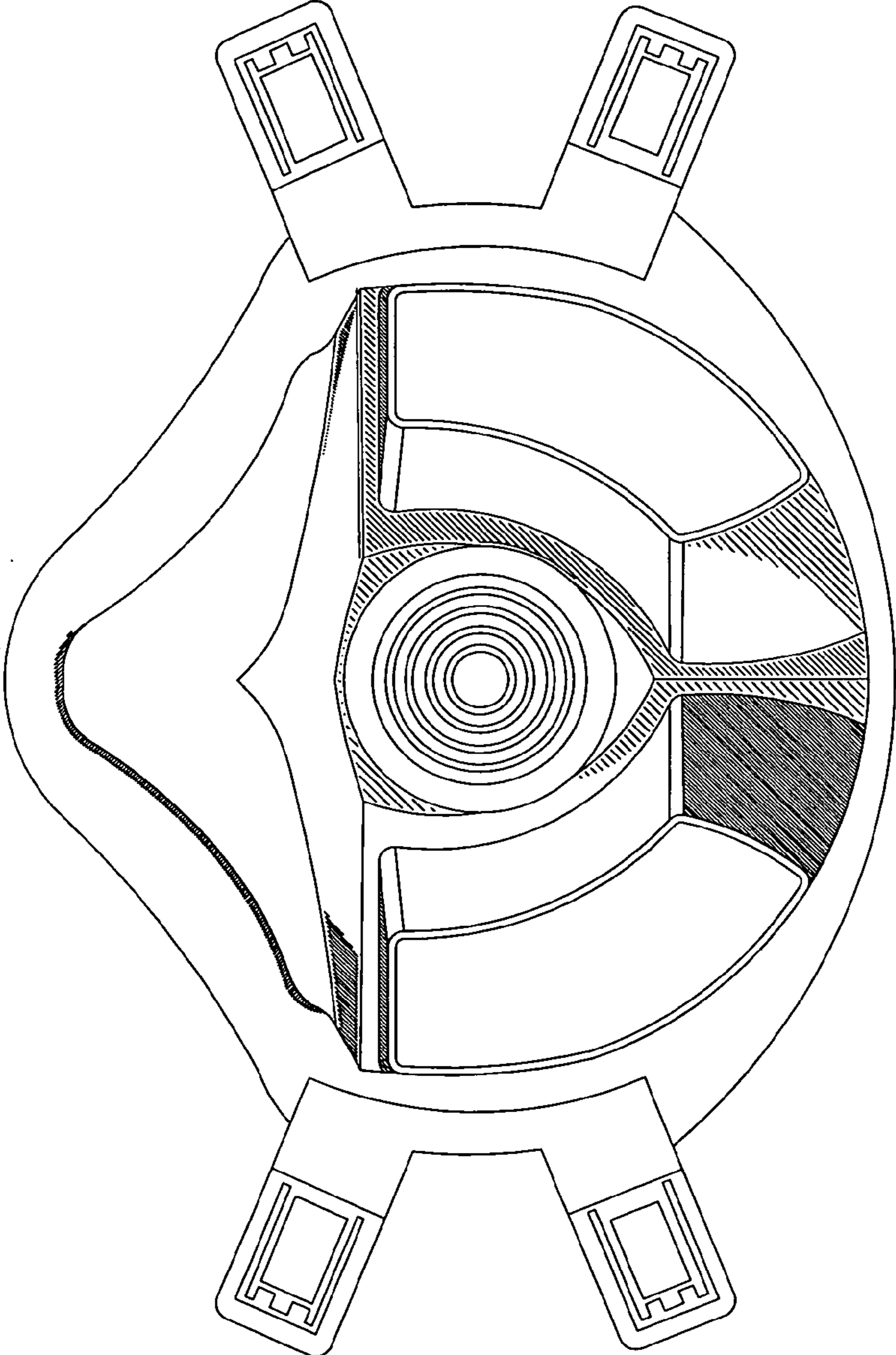


FIG.2



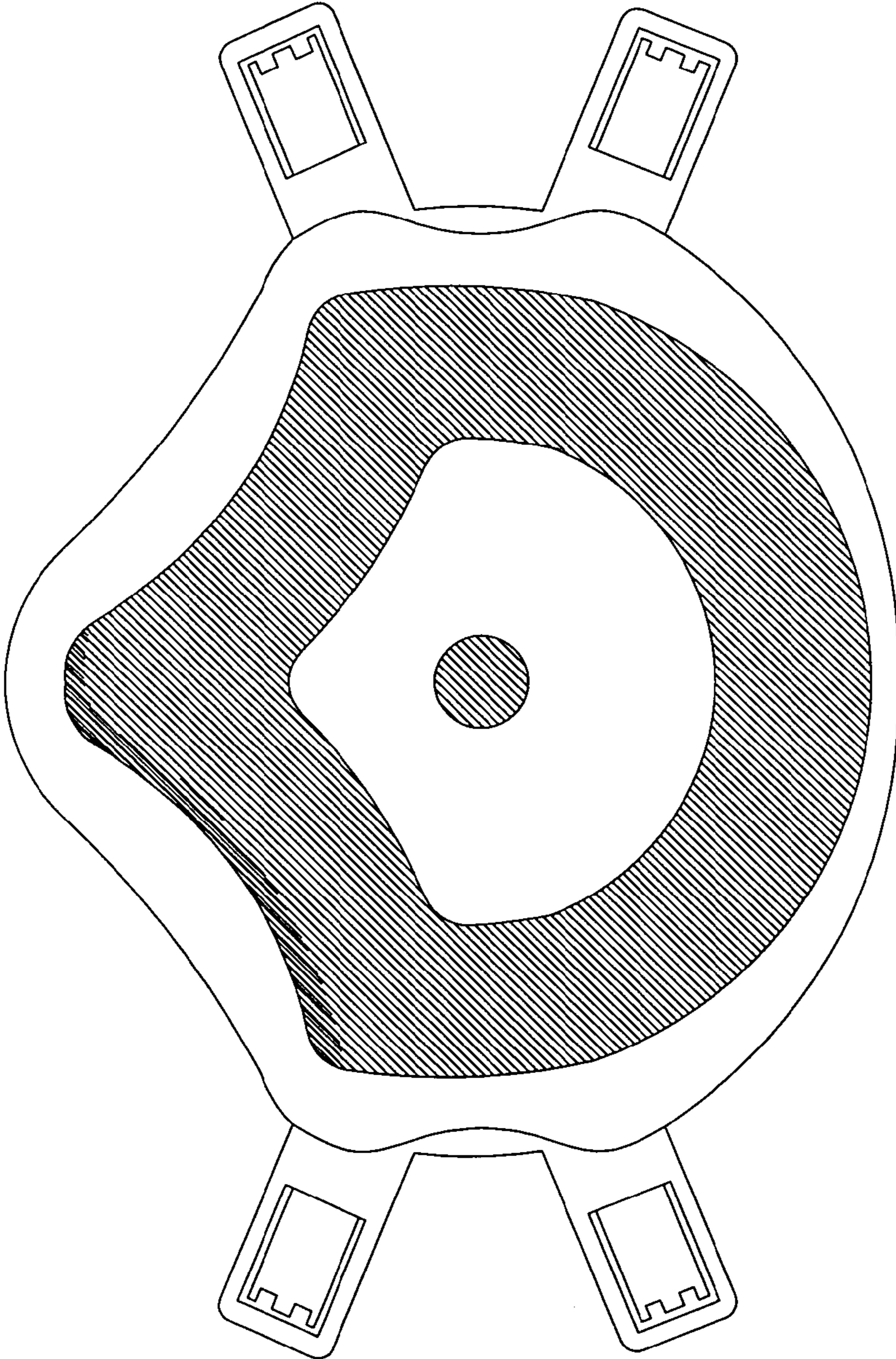


FIG. 3

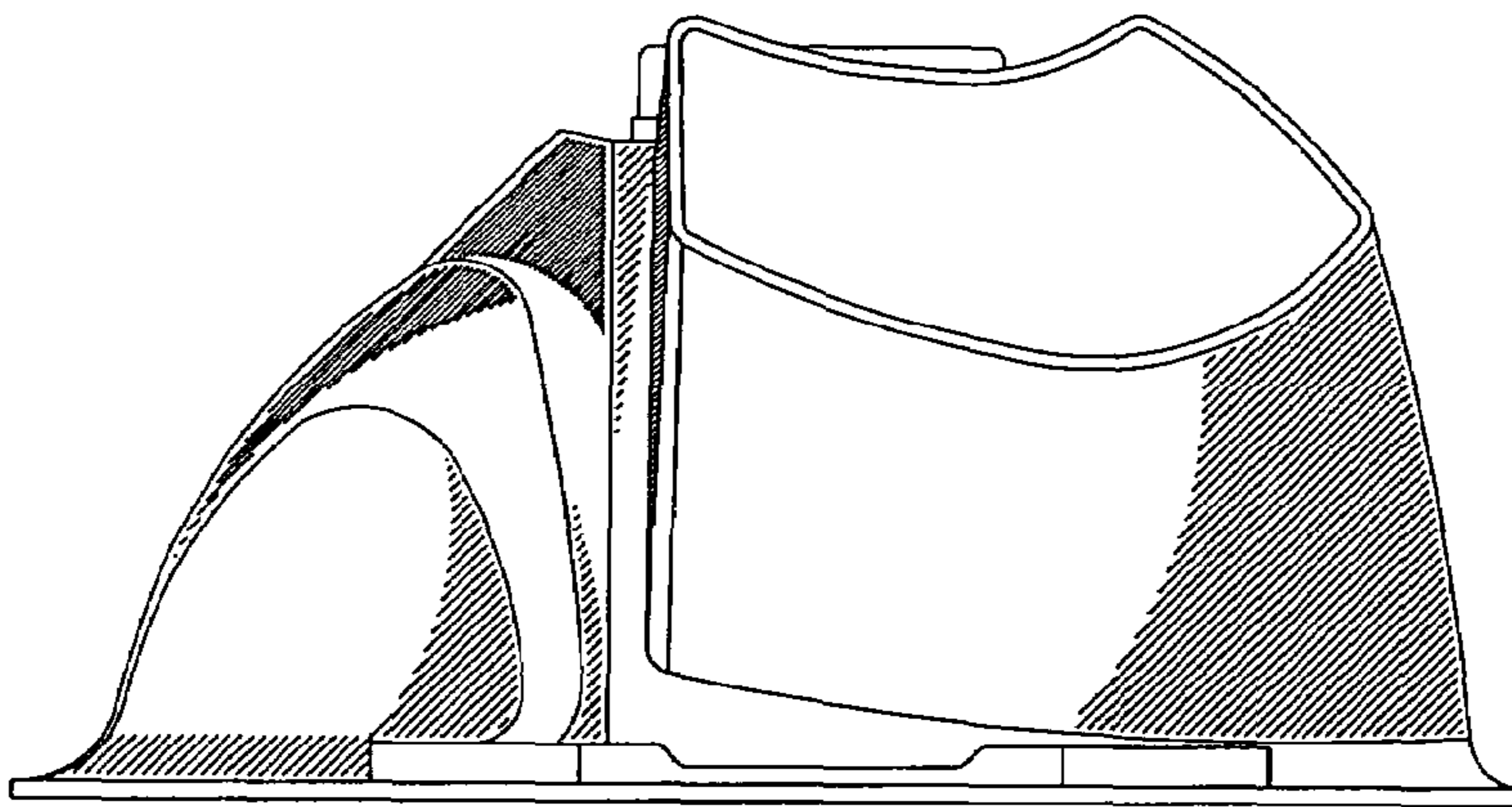


FIG.4

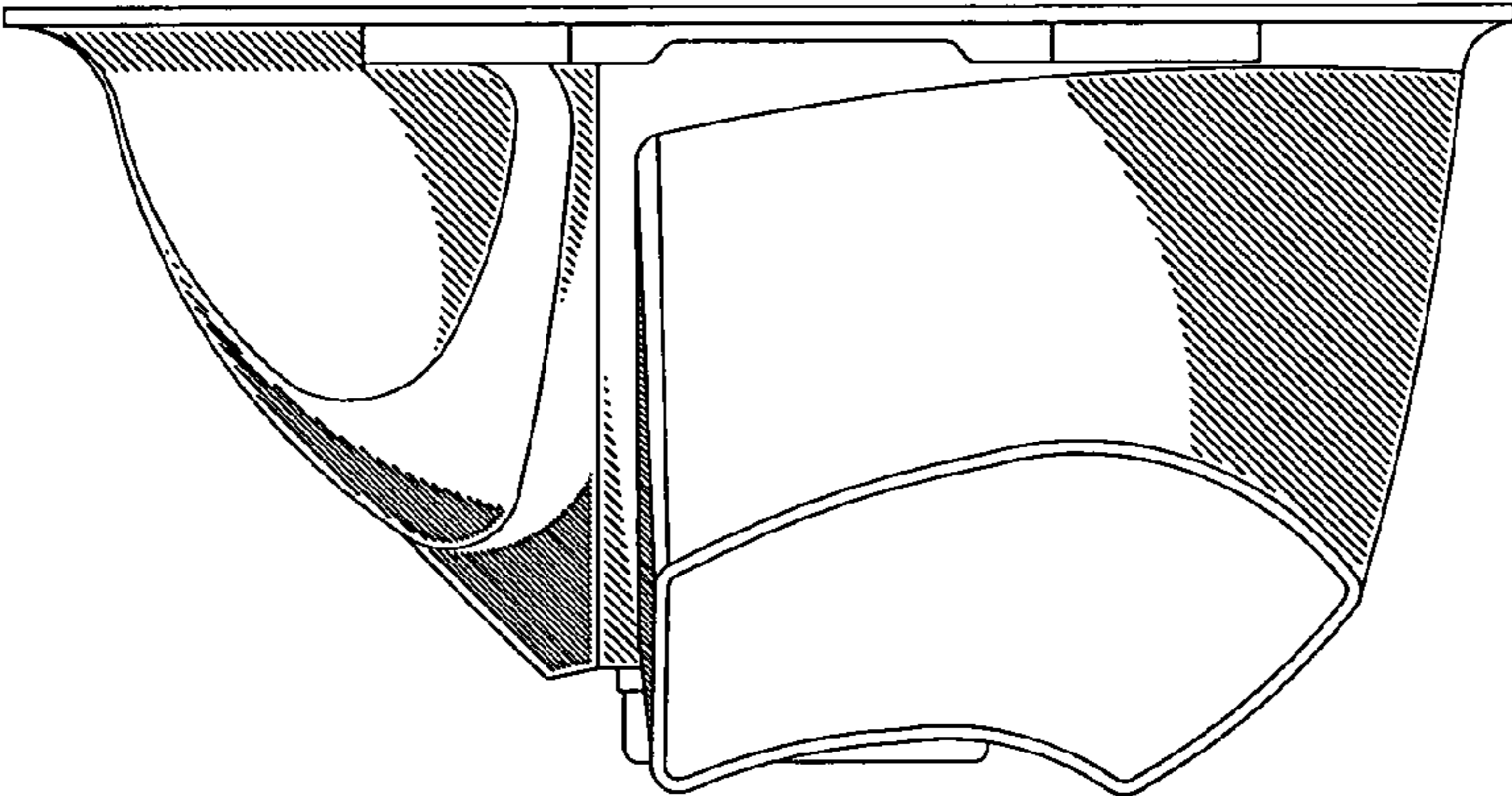


FIG.5

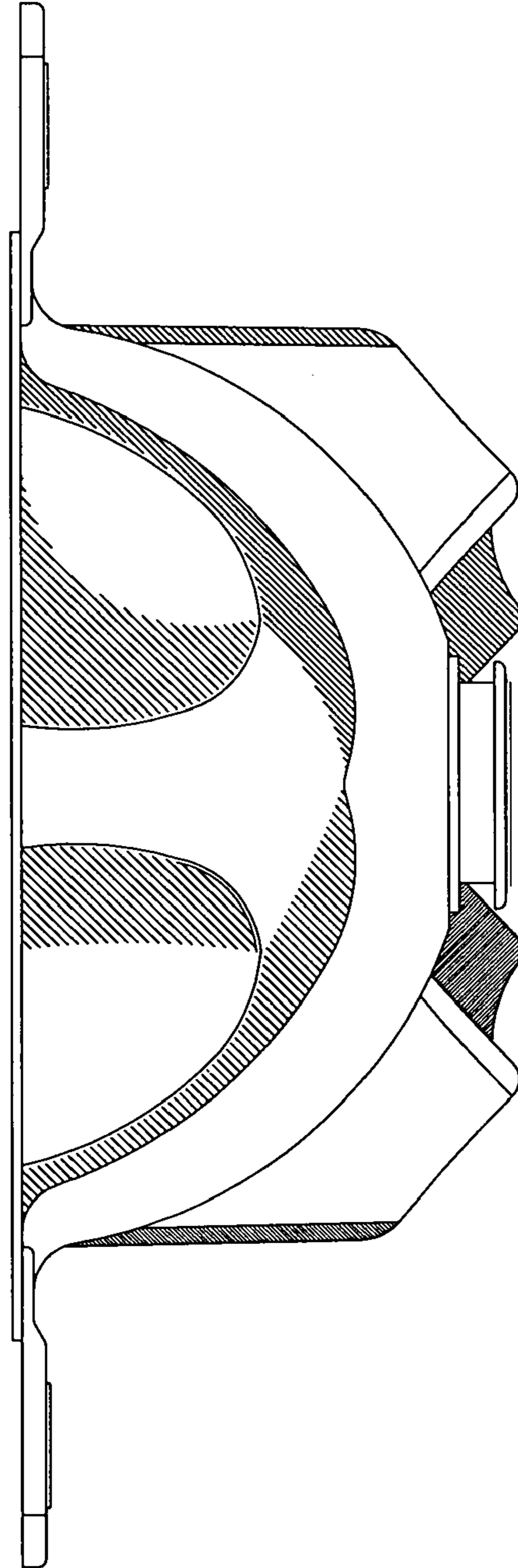


FIG.6



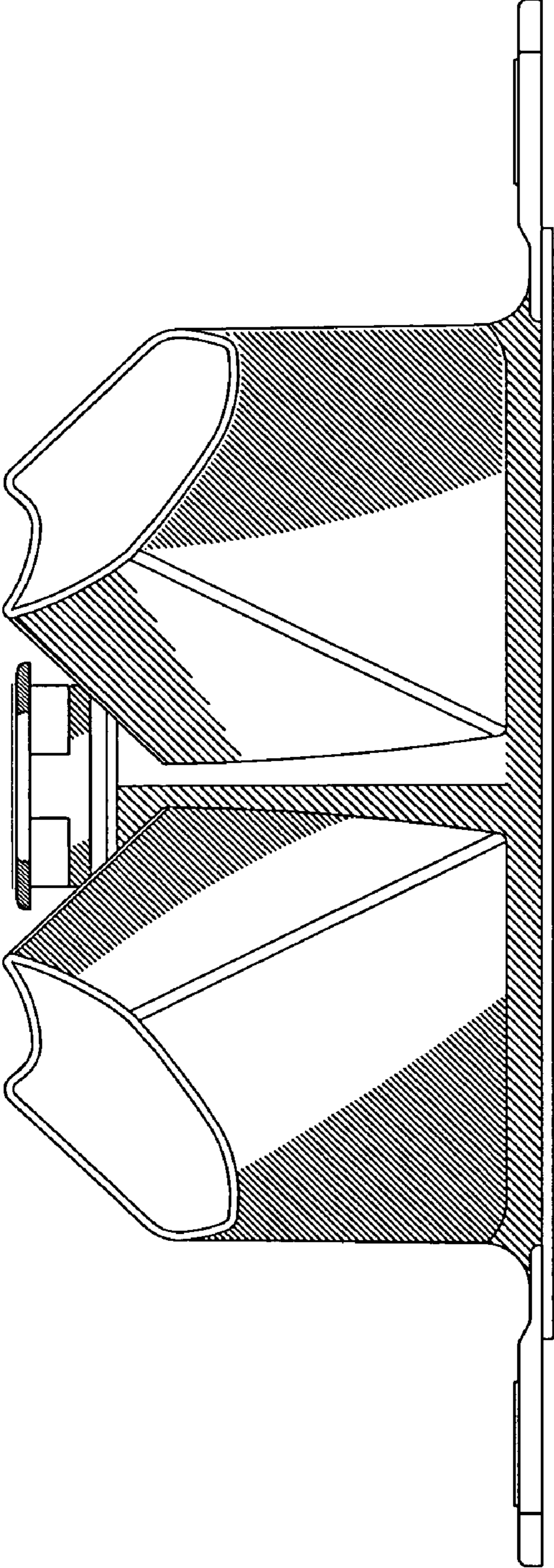


FIG.7