

US00D570473S

(12) **United States Design Patent**  
**Hamaguchi et al.**

(10) **Patent No.:** **US D570,473 S**

(45) **Date of Patent:** **\*\* Jun. 3, 2008**

(54) **INHALER**

D413,123 S \* 8/1999 Leonhard et al. .... D15/7  
D527,098 S \* 8/2006 Cheng ..... D24/110

(75) Inventors: **Takehiro Hamaguchi**, Mie (JP);  
**Makoto Tabata**, Kyoto (JP); **Kiyotsugu Kuki**, Kyoto (JP); **Hisashi Miyaoka**, Kanagawa (JP); **Satoshi Kurata**, Kyoto (JP); **Tadashi Koike**, Kyoto (JP); **Yoshihiro Nakatsuji**, Kyoto (JP); **Fumie Shibata**, Tokyo (JP); **Yuki Shibata**, Tokyo (JP)

\* cited by examiner

*Primary Examiner*—Ian Simmons  
*Assistant Examiner*—Christopher Lee  
(74) *Attorney, Agent, or Firm*—Harness, Dickey & Pierce, P.L.C.

(73) Assignee: **Omron Healthcare Co., Ltd.**, Kyoto (JP)

(57) **CLAIM**

The ornamental design for an inhaler, as shown and described.

(\*\*) Term: **14 Years**

**DESCRIPTION**

(21) Appl. No.: **29/252,088**

FIG. 1 is a front, top and right side perspective view of an inhaler showing our new design;

(22) Filed: **Jan. 19, 2006**

FIG. 2 is a rear, bottom and left side perspective view thereof;

(30) **Foreign Application Priority Data**

Jul. 22, 2005 (JP) ..... D2005-021378

FIG. 3 is a front, bottom and right side perspective view thereof;

(51) **LOC (8) Cl.** ..... **29-02**

FIG. 4 is a front elevational view thereof;

(52) **U.S. Cl.** ..... **D24/110**

FIG. 5 is a rear elevational view thereof;

(58) **Field of Classification Search** ..... D24/110,  
D24/111; D15/7, 9; 128/200.14, 200.16,  
128/200.18, 200.23, 200.24, 200.12, 203.12,  
128/204.23

FIG. 6 is a top plan view thereof;

FIG. 7 is a bottom plan view thereof;

See application file for complete search history.

FIG. 8 is a right side elevational view thereof; and,

FIG. 9 is a left side elevational view thereof.

(56) **References Cited**

The broken lines are shown in the views for illustrative purpose only, and form no part of the claimed design.

**U.S. PATENT DOCUMENTS**

D376,199 S \* 12/1996 Rozek et al. .... D24/110

**1 Claim, 9 Drawing Sheets**

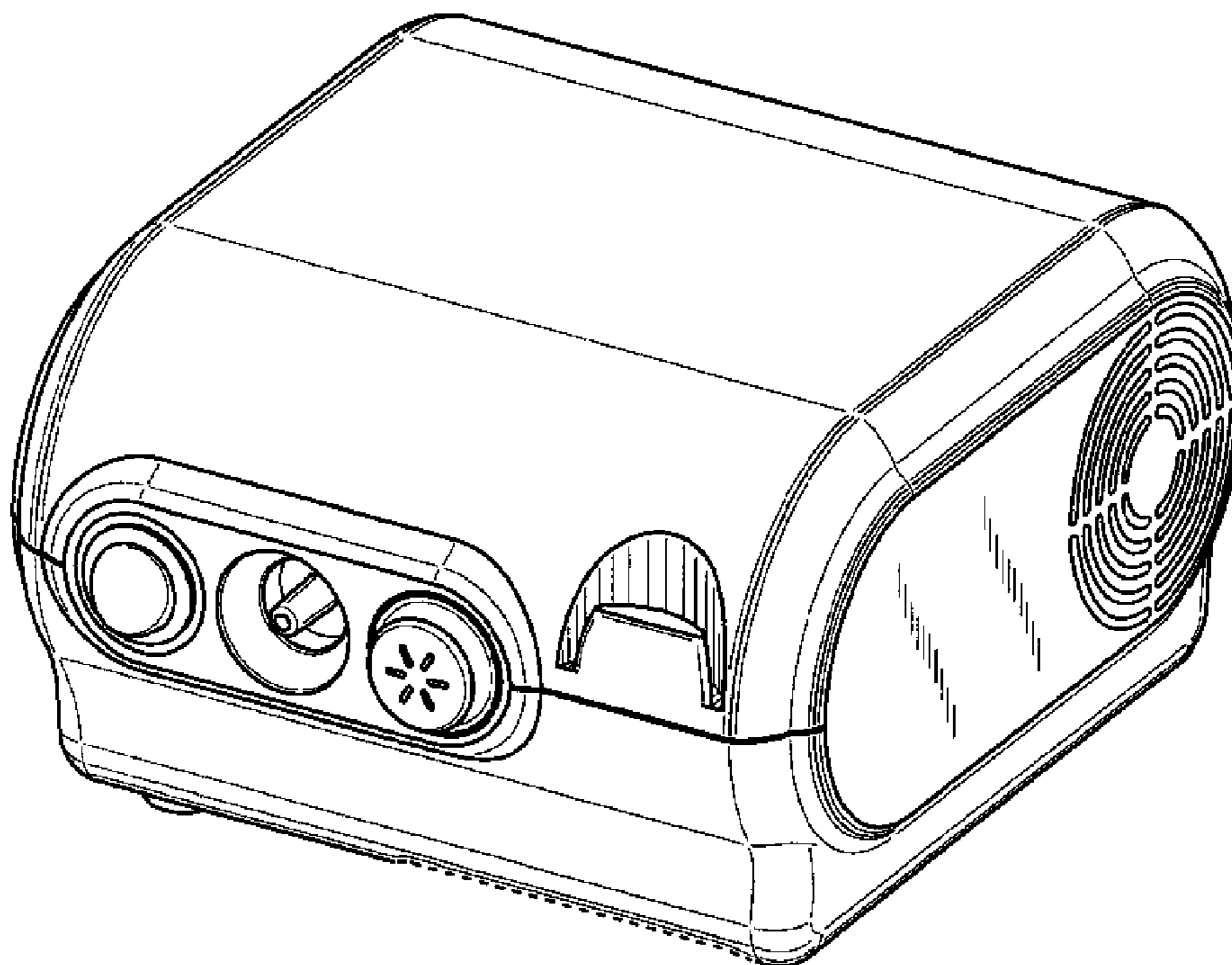


Fig. 1

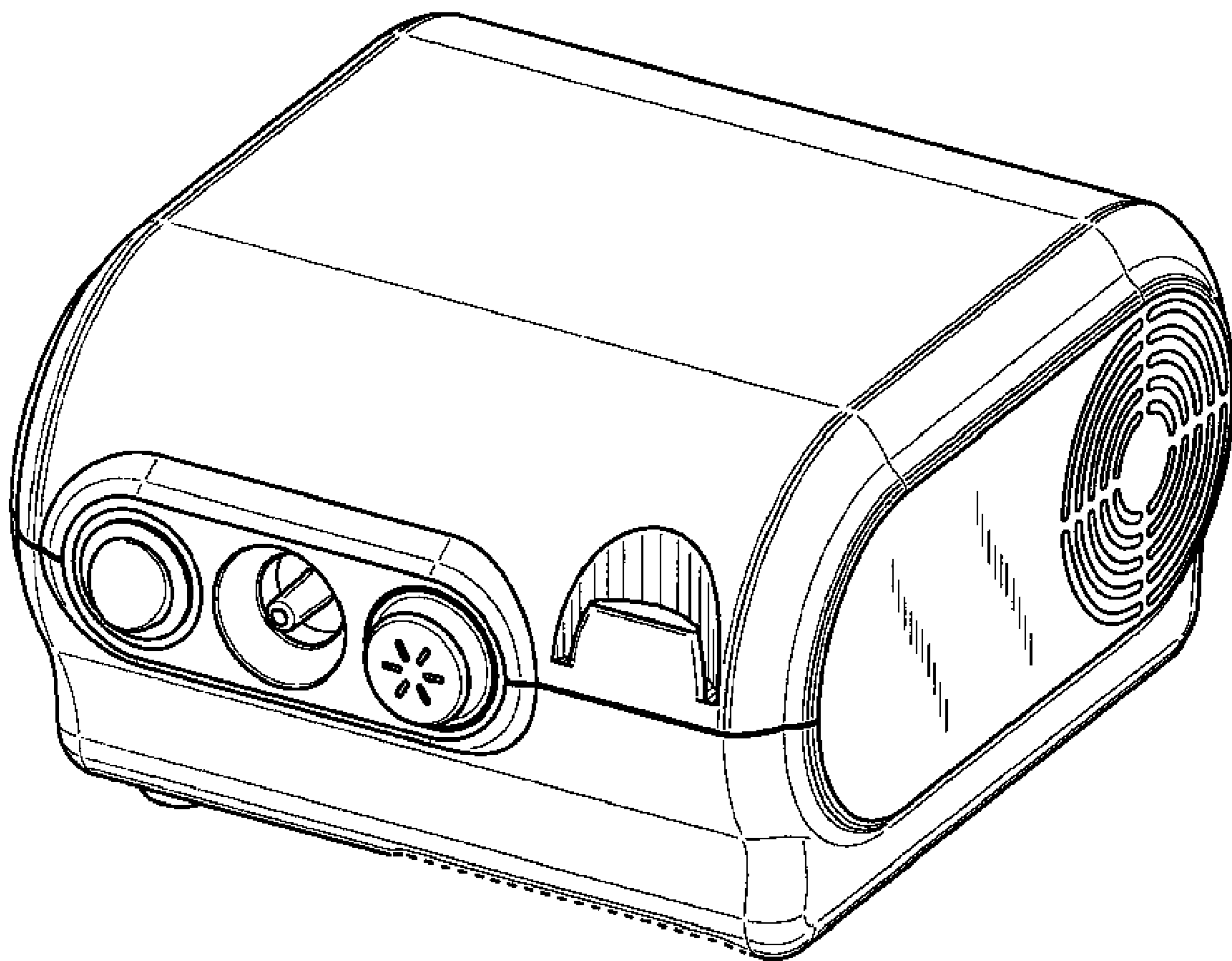


Fig. 2

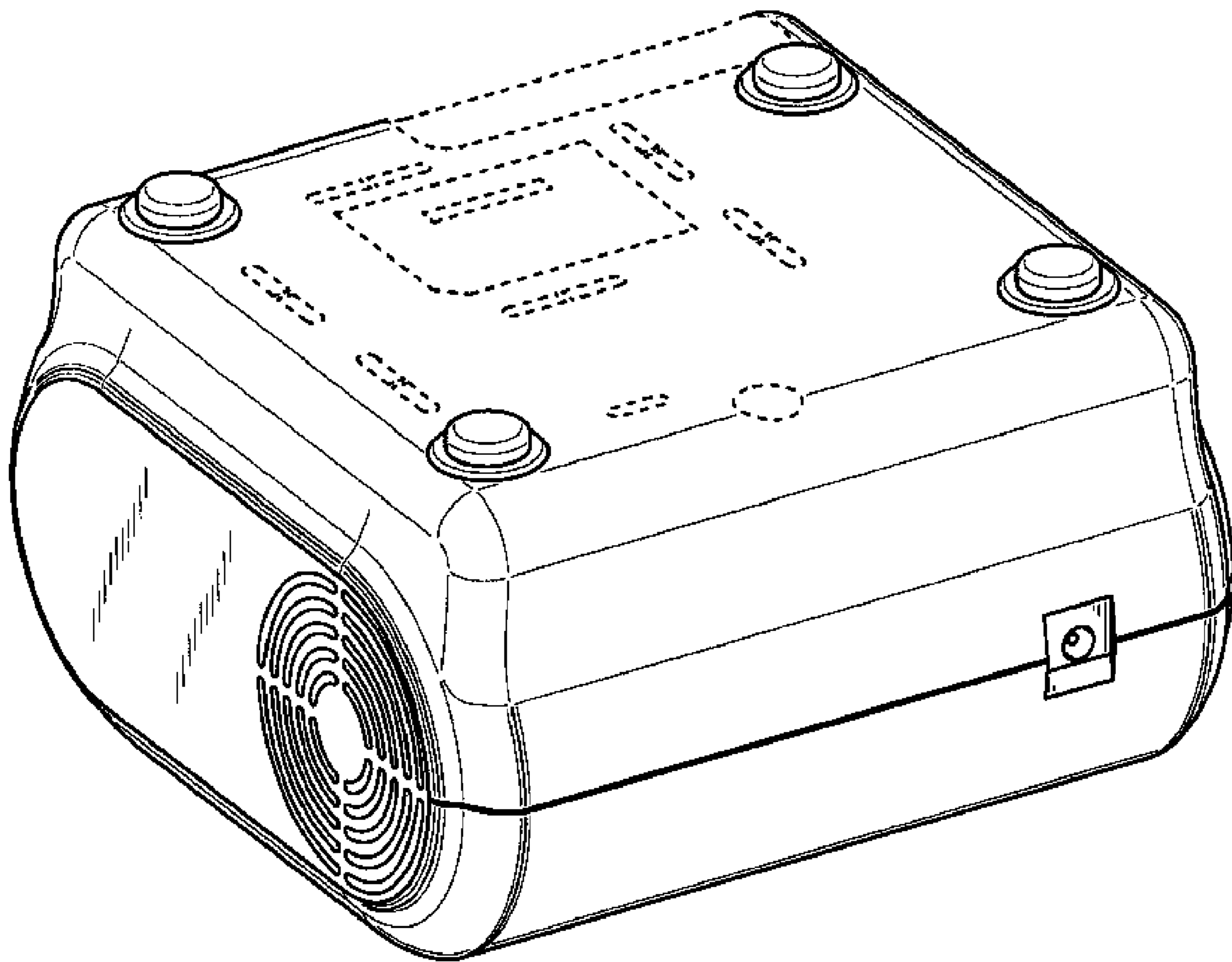


Fig. 3

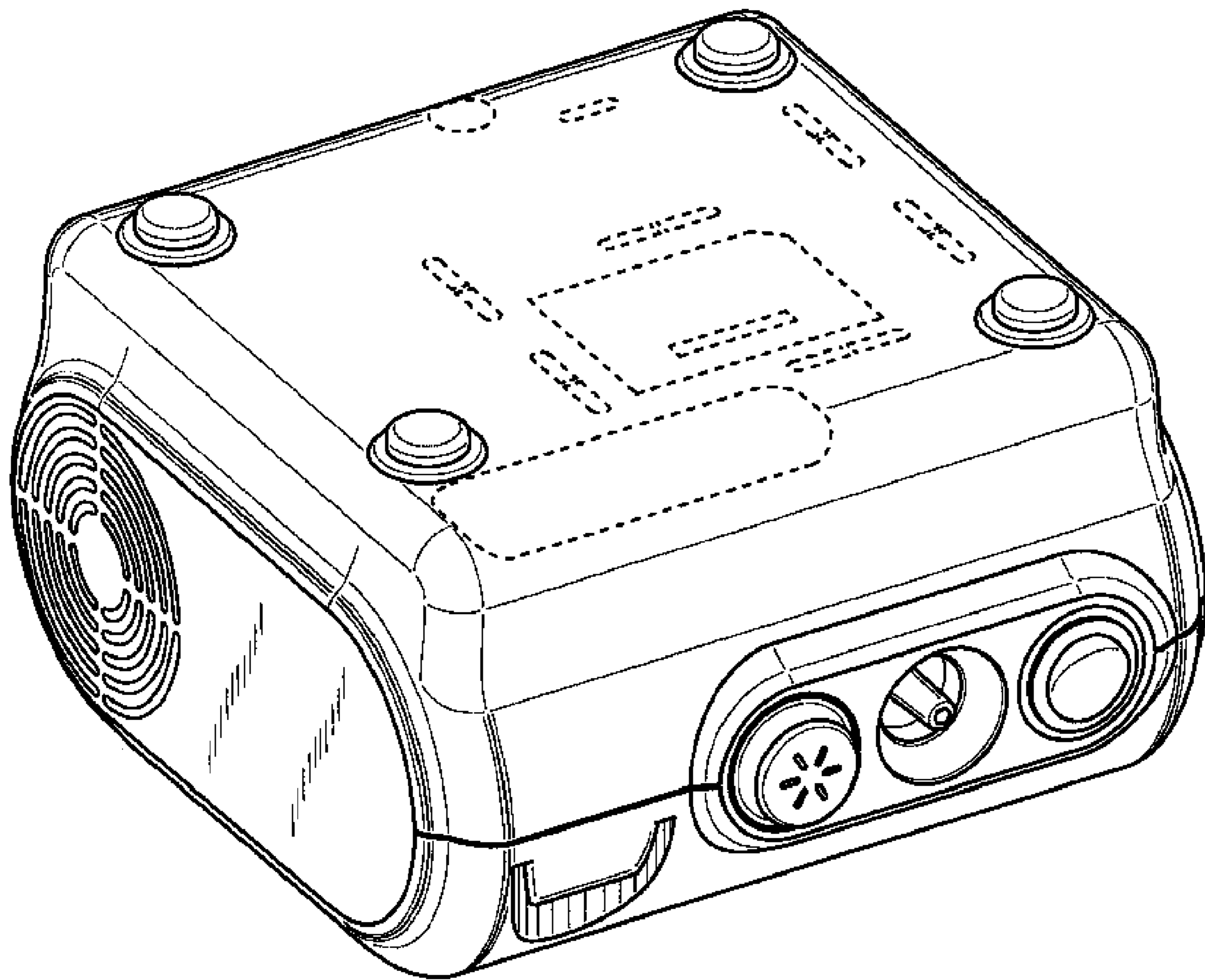


Fig. 4

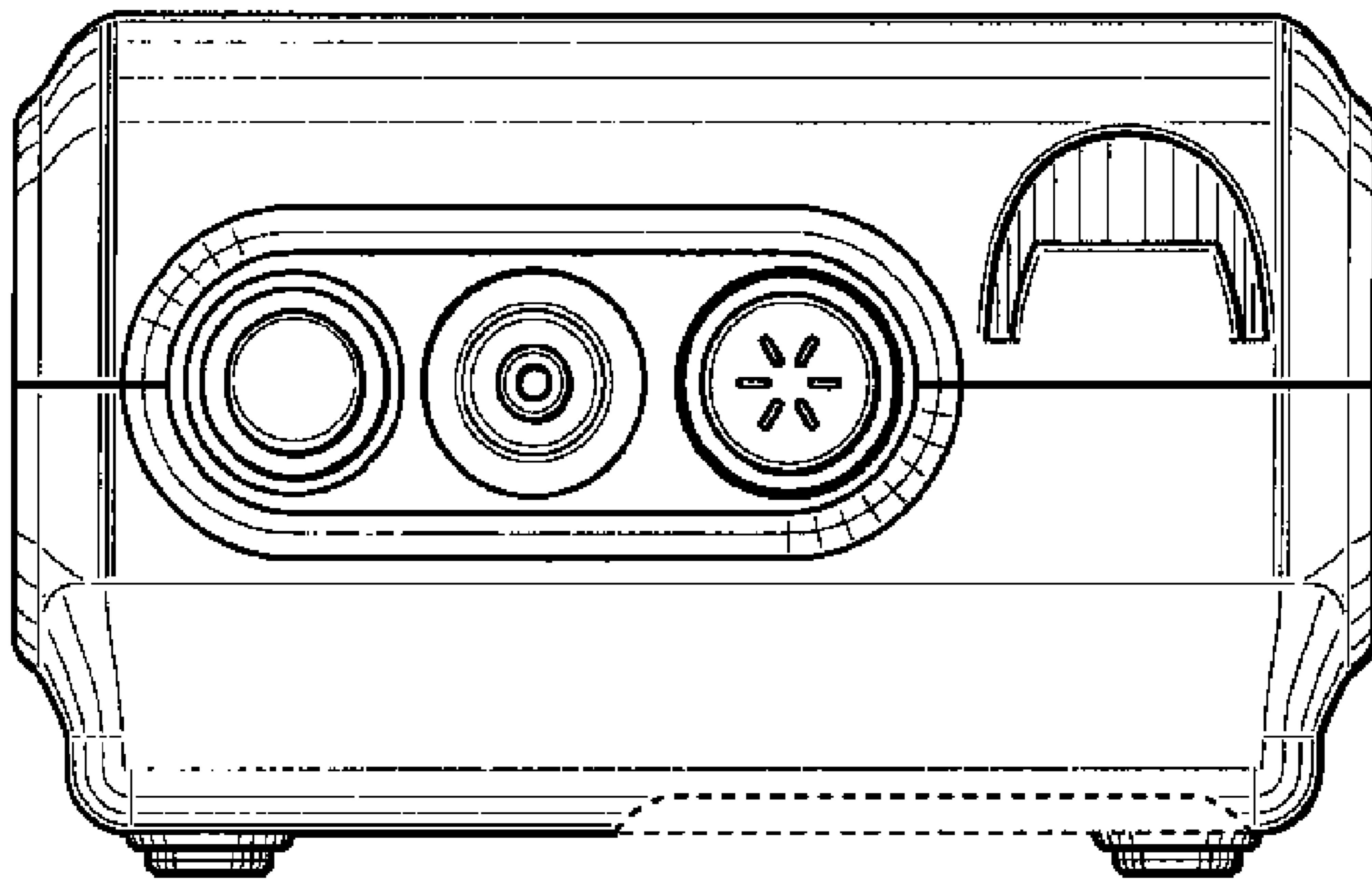


Fig. 5

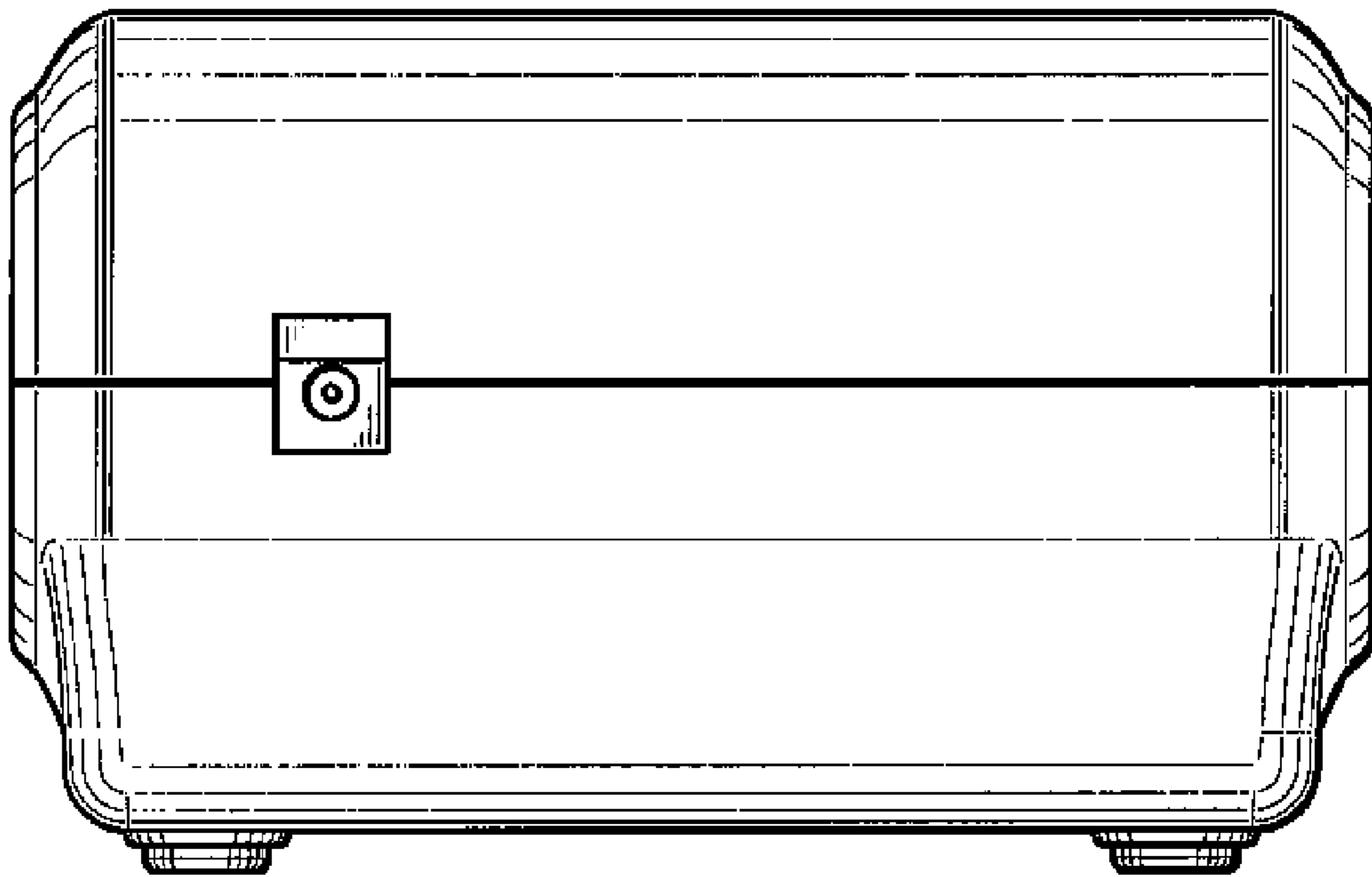


Fig. 6

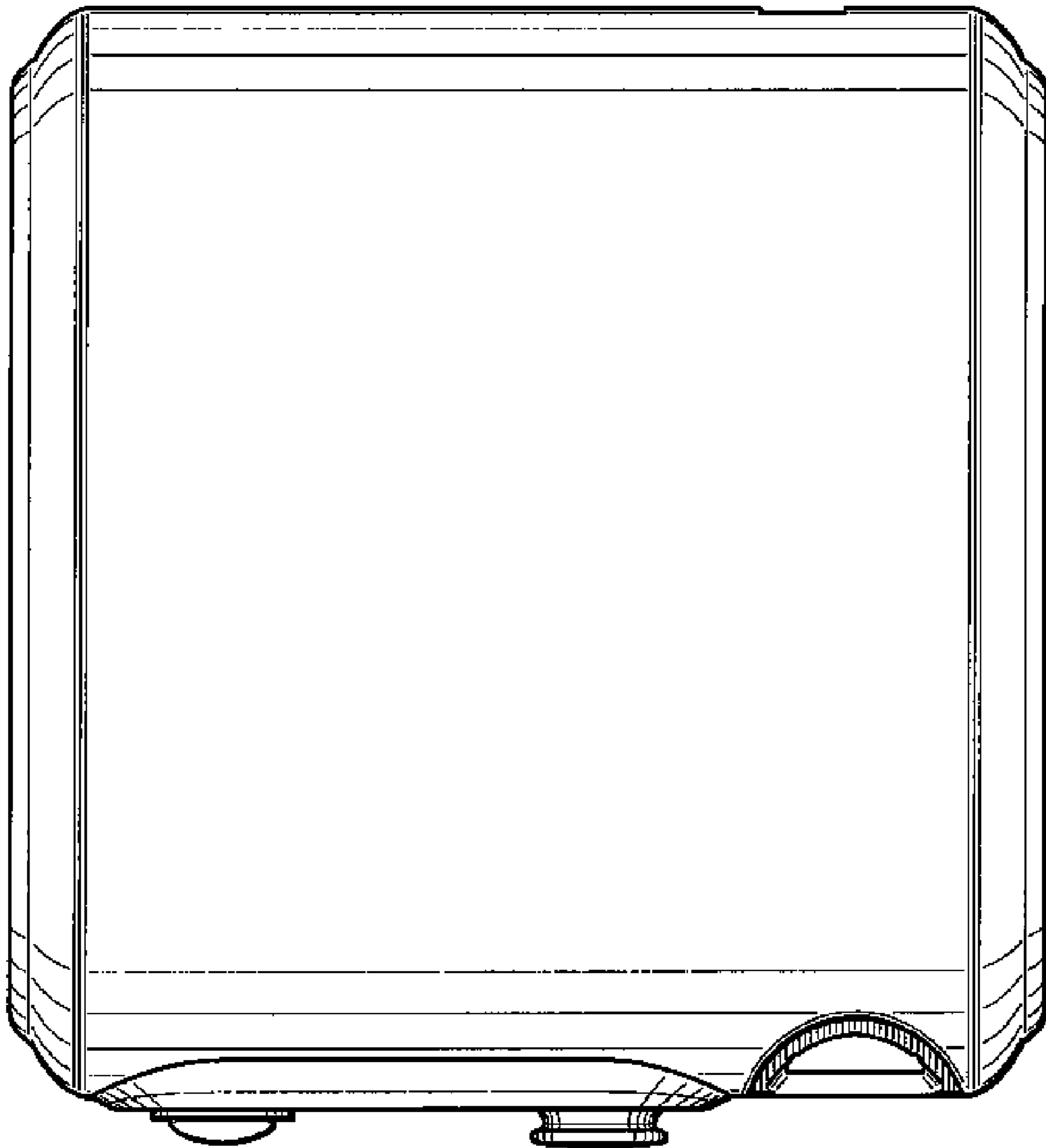


Fig. 7

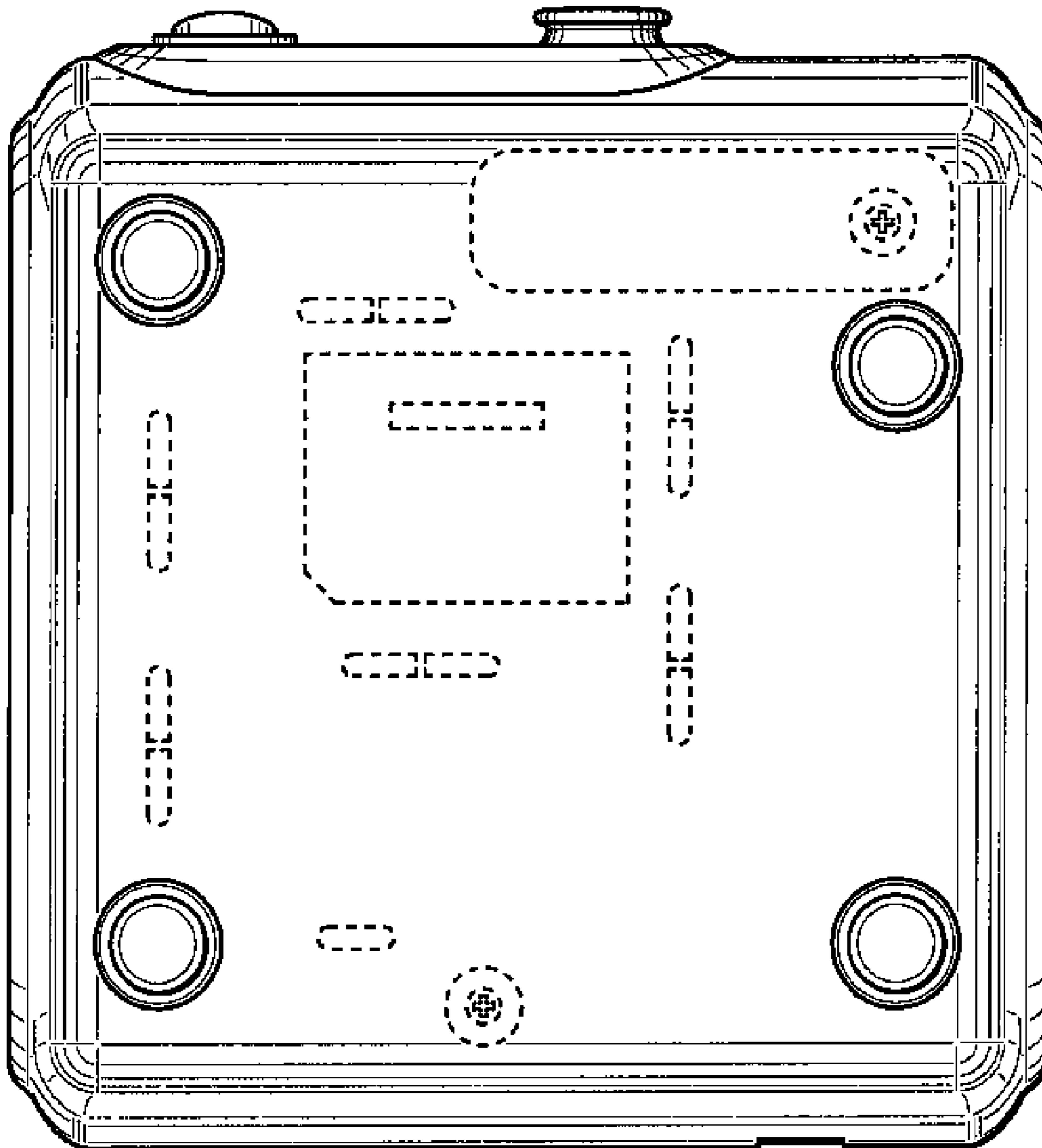




Fig. 8

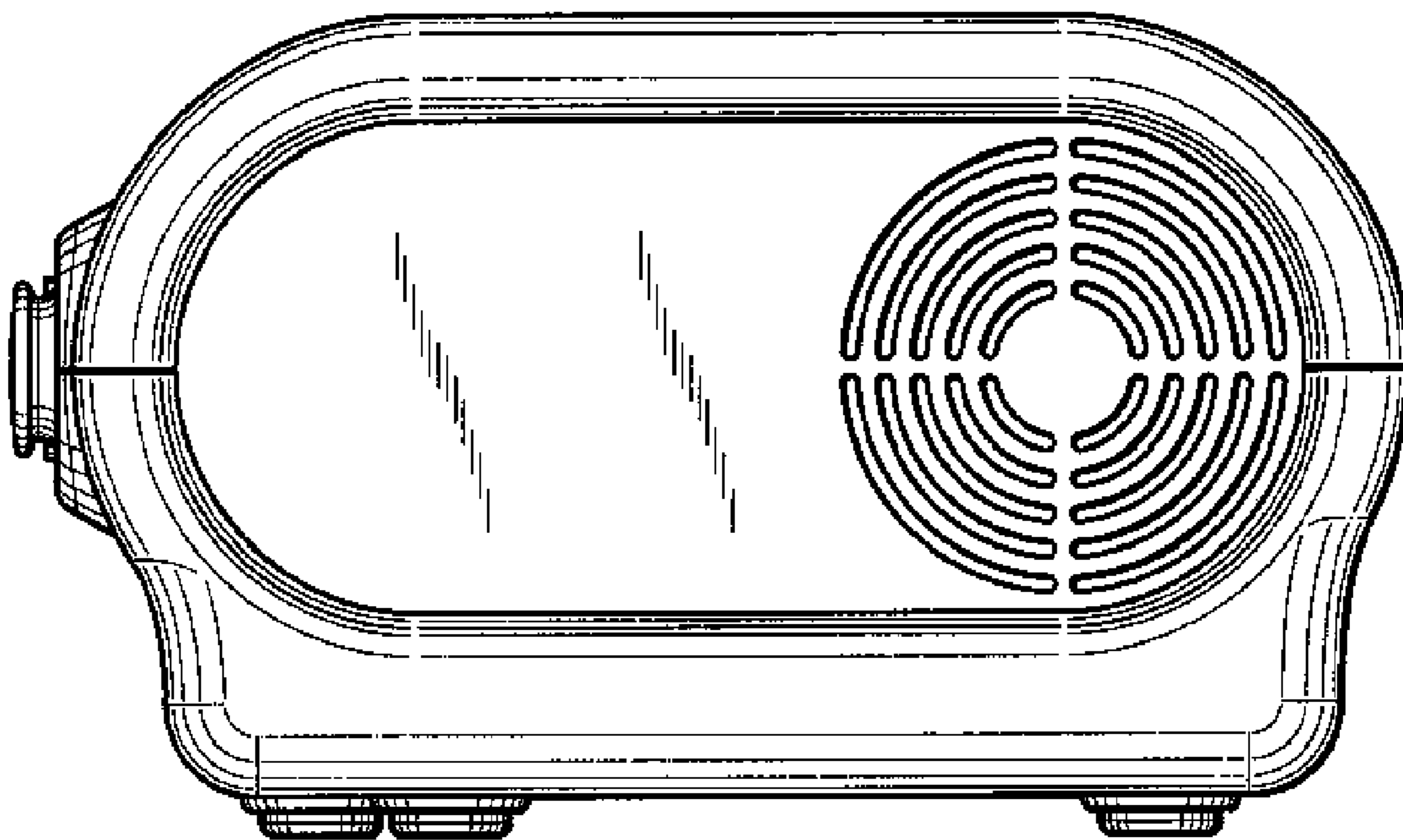


Fig. 9

