



US00D570470S

(12) **United States Design Patent**
Suzuki et al.

(10) **Patent No.:** **US D570,470 S**
(45) **Date of Patent:** **** Jun. 3, 2008**

(54) **FAN**

D556,892 S * 12/2007 Chen D23/413
D558,324 S * 12/2007 Hong et al. D23/379

(75) Inventors: **Atsushi Suzuki**, Aichi-ken (JP); **Tetsuo Tominaga**, Hyogo-ken (JP); **Tsuyoshi Eguchi**, Kyogo-ken (JP); **Kazuyuki Kamiya**, Aichi-ken (JP); **Asuka Soya**, Aichi-ken (JP)

* cited by examiner

Primary Examiner—Lisa Lichtenstein
(74) *Attorney, Agent, or Firm*—Birch, Stewart, Kolasch & Birch, LLP

(73) Assignee: **Mitsubishi Heavy Industries, Ltd.**, Tokyo (JP)

(57) **CLAIM**

The ornamental design for a fan, as shown and described.

(**) Term: **14 Years**

DESCRIPTION

(21) Appl. No.: **29/252,937**

The design is for a fan used in a heat exchanger such as a radiator or an air conditioner capacitor.

(22) Filed: **Jan. 31, 2006**

FIG. 1 is a front view of the fan showing our new design:

(30) **Foreign Application Priority Data**

Aug. 4, 2005 (JP) 2005-022693

FIG. 2 is a rear view thereof;

(51) **LOC (8) Cl.** **23-04**

(52) **U.S. Cl.** **D23/413**

(58) **Field of Classification Search** D23/370,
D23/379, 413; 416/223 R, 238, 243, 179,
416/182; 361/695

FIG. 3 is a right side view thereof;

FIG. 4 is a left side view thereof;

FIG. 5 is a top(plan) view thereof;

FIG. 6 is a bottom plan view thereof; and,

FIG. 7 is a front perspective view thereof.

See application file for complete search history.

The portion indicated by solid lines is the portion for which design registration as a partial design is requested.

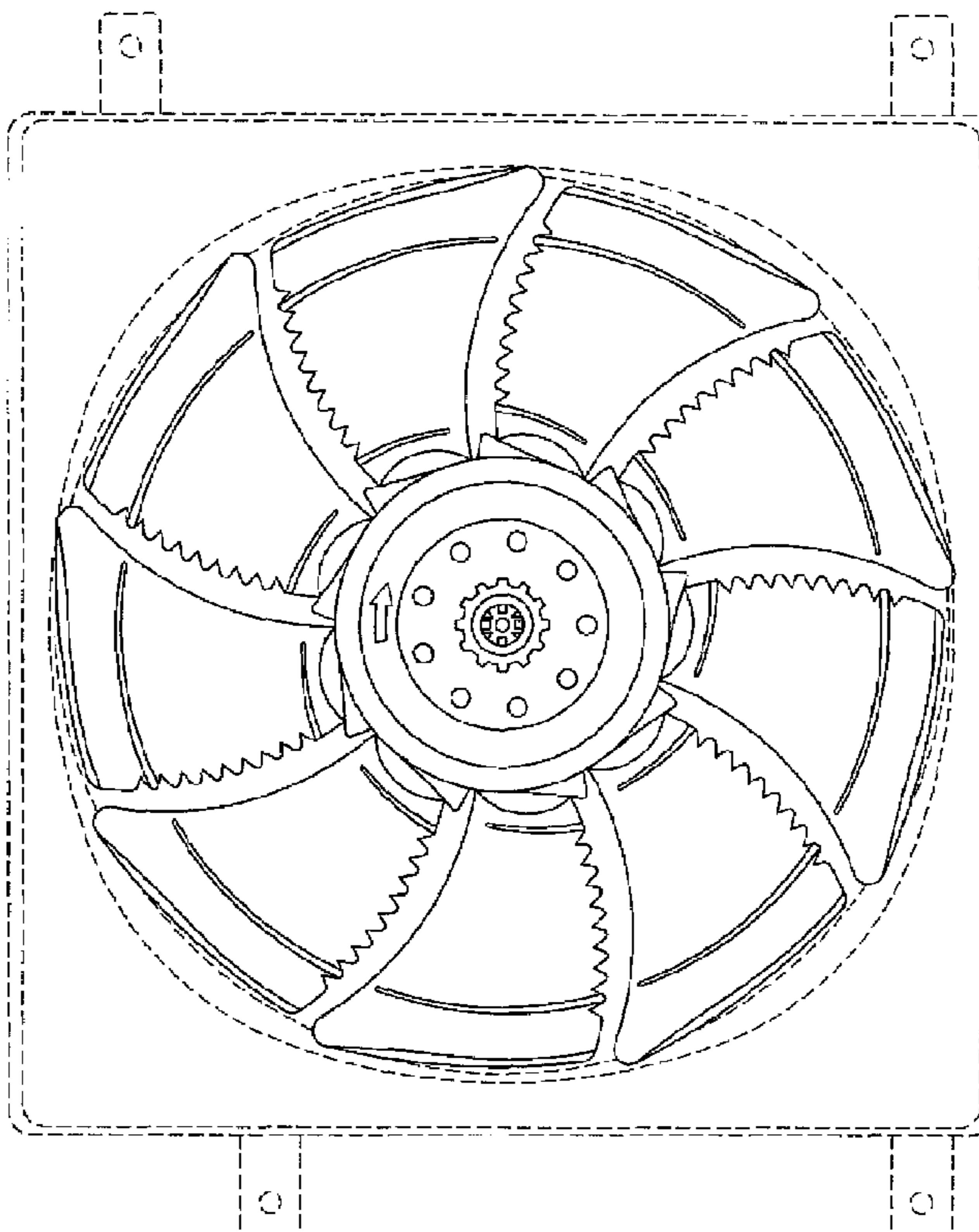
(56) **References Cited**

U.S. PATENT DOCUMENTS

D453,827 S * 2/2002 Kuo et al. D23/413
D486,572 S * 2/2004 Chen et al. D23/413

The broken line showing of a heat exchanger is included for the purpose of illustrating environmental structure and forms no part of the claimed design.

1 Claim, 7 Drawing Sheets



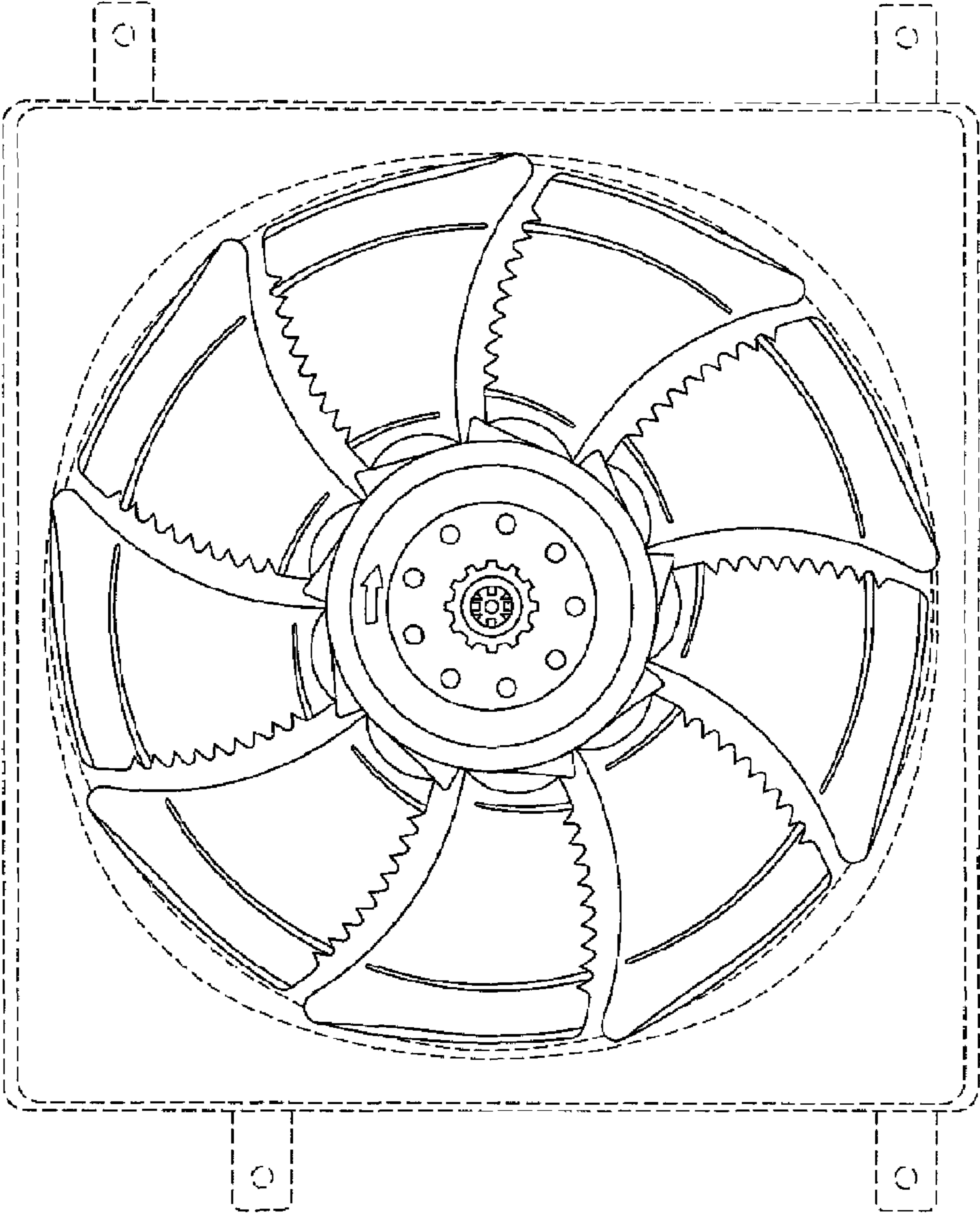


FIG. 1

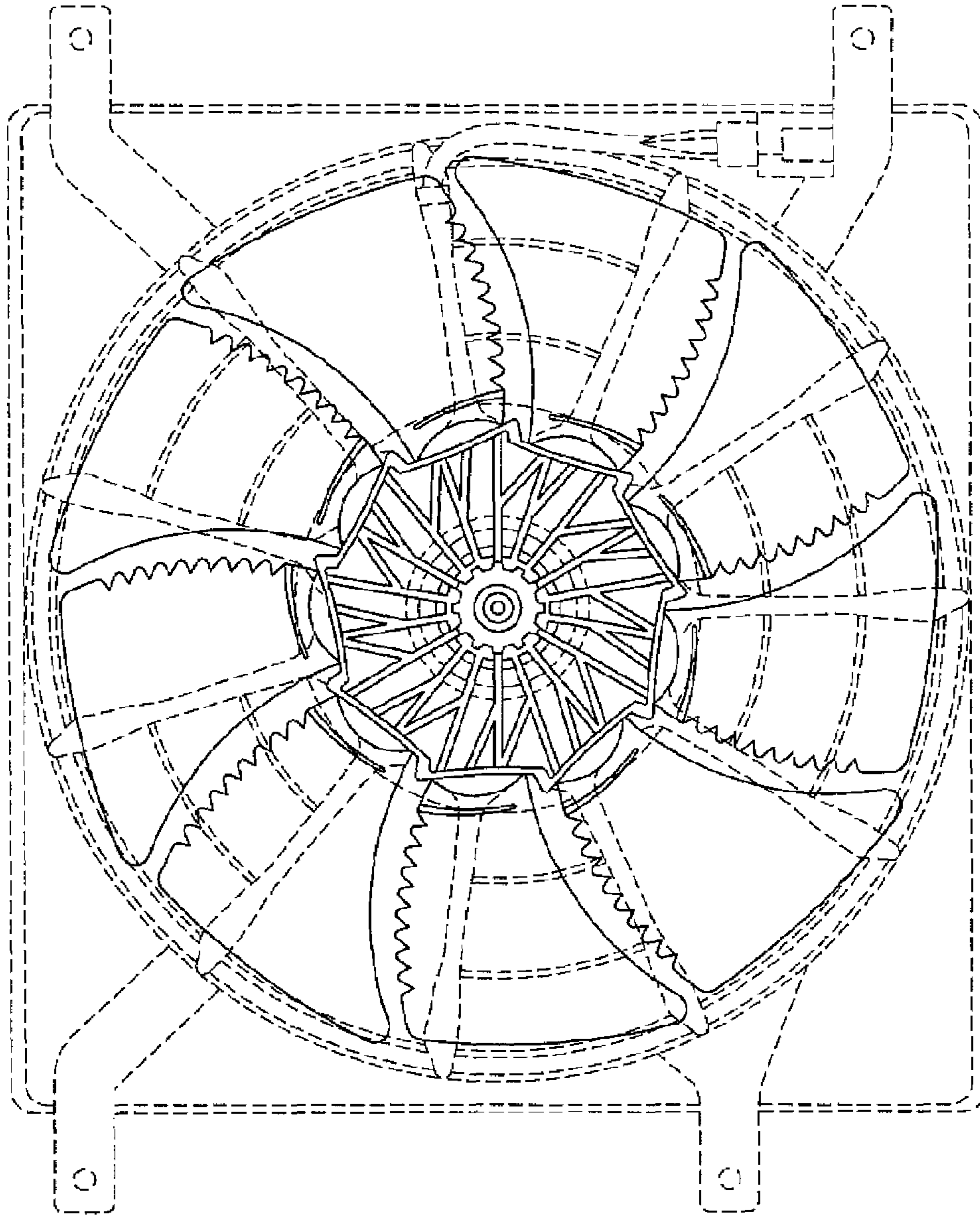


FIG.2

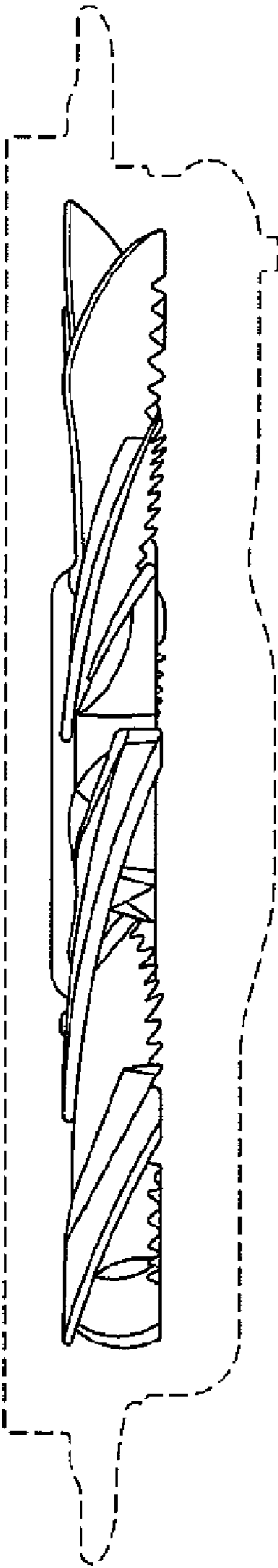


FIG.3

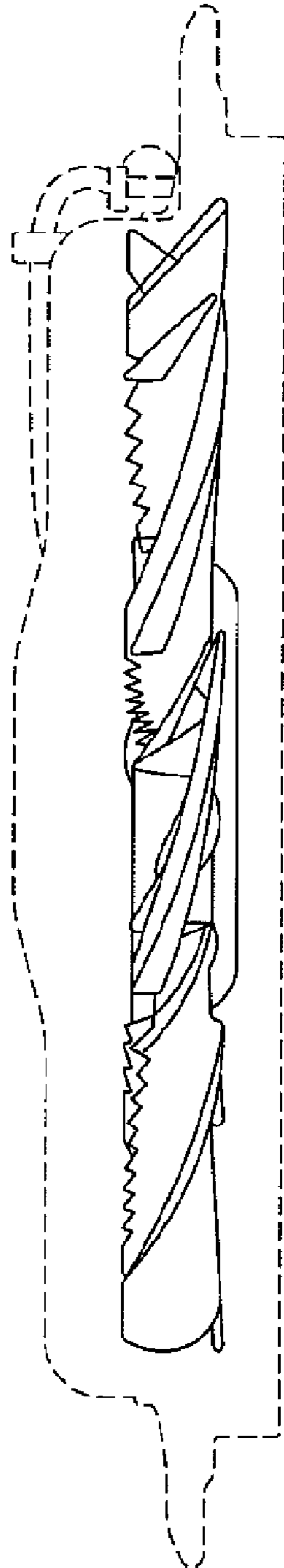


FIG.4

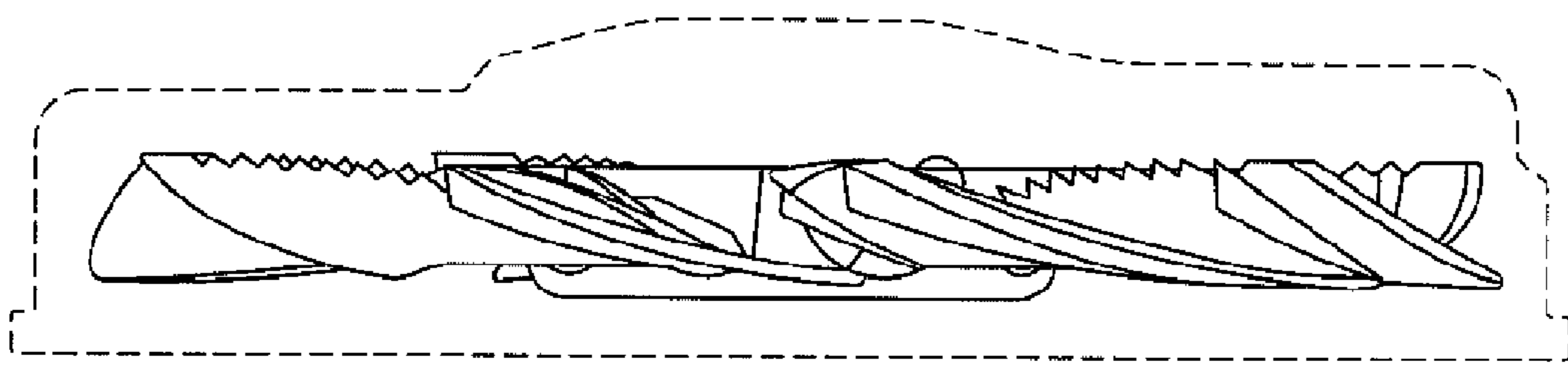


FIG.5

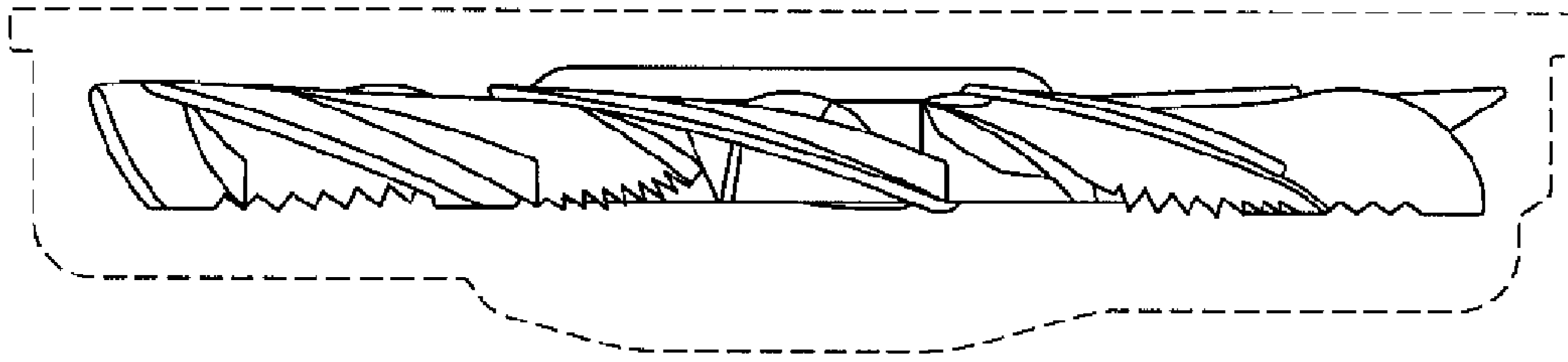


FIG.6

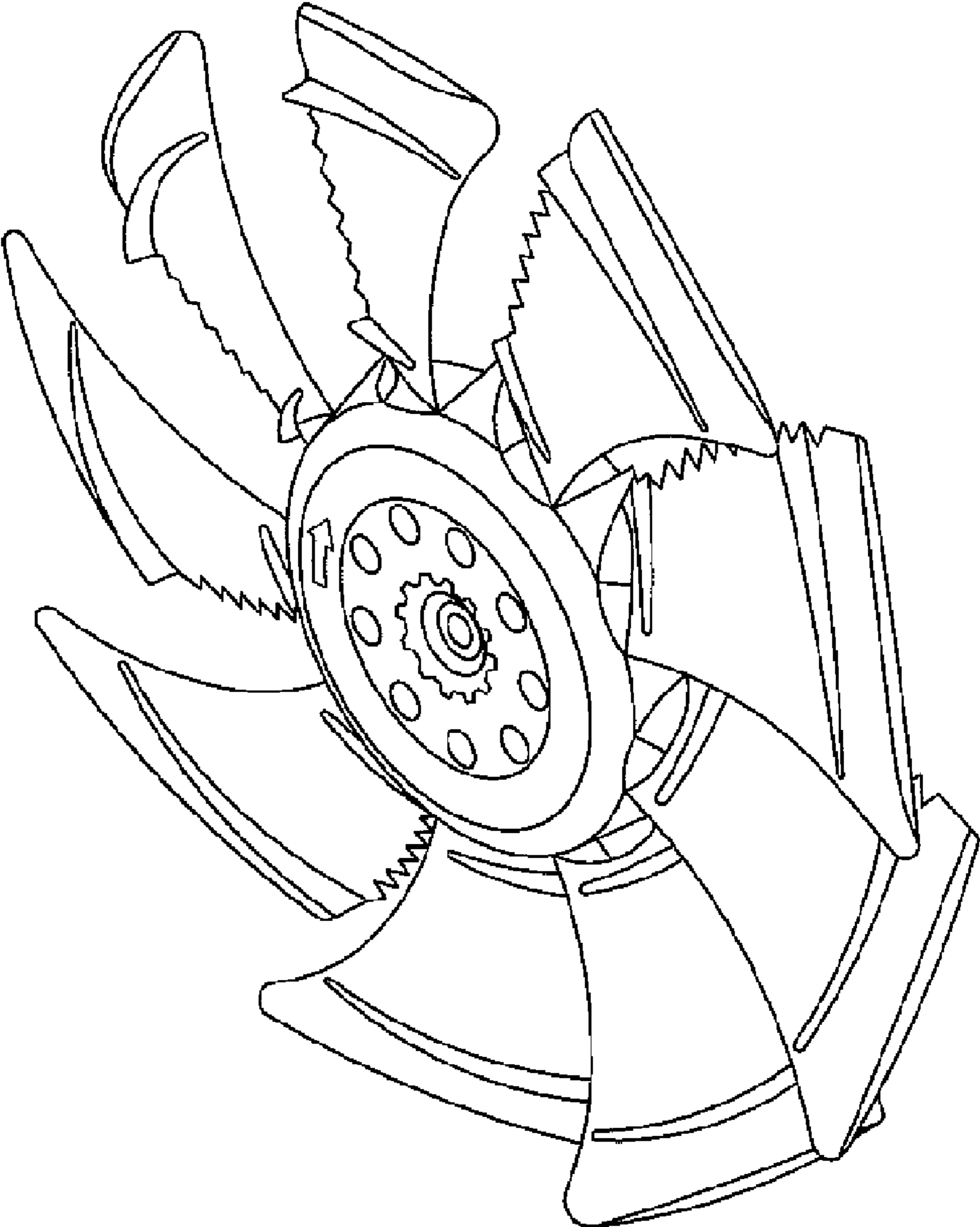


FIG.7