



US00D570469S

(12) **United States Design Patent**  
**Hsu**

(10) **Patent No.:** **US D570,469 S**

(45) **Date of Patent:** **\*\* \*Jun. 3, 2008**

(54) **FAN STAND**

D359,116 S \* 6/1995 Marvin et al. .... D23/382  
D376,005 S \* 11/1996 Litvin ..... D23/382  
D388,869 S \* 1/1998 Wang ..... D23/382

(76) Inventor: **Kuei-chih Hsu**, Yongmei Garden 25,  
Meihua Fazenda, Minzhi Village,  
Longhua town, Baoan Shenzhen (CN)

\* cited by examiner

(\* ) Notice: This patent is subject to a terminal dis-  
claimer.

*Primary Examiner*—Lisa Lichtenstein  
(74) *Attorney, Agent, or Firm*—Egbert Law Offices

(\*\*) Term: **14 Years**

(57) **CLAIM**

(21) Appl. No.: **29/250,277**

The ornamental design for a fan stand, as shown and  
described.

(22) Filed: **Nov. 8, 2006**

(51) **LOC (8) Cl.** ..... **23-04**

(52) **U.S. Cl.** ..... **D23/411**

(58) **Field of Classification Search** ..... D23/370,  
D23/381, 332, 411; 416/5, 244 R, 247 R  
See application file for complete search history.

**DESCRIPTION**

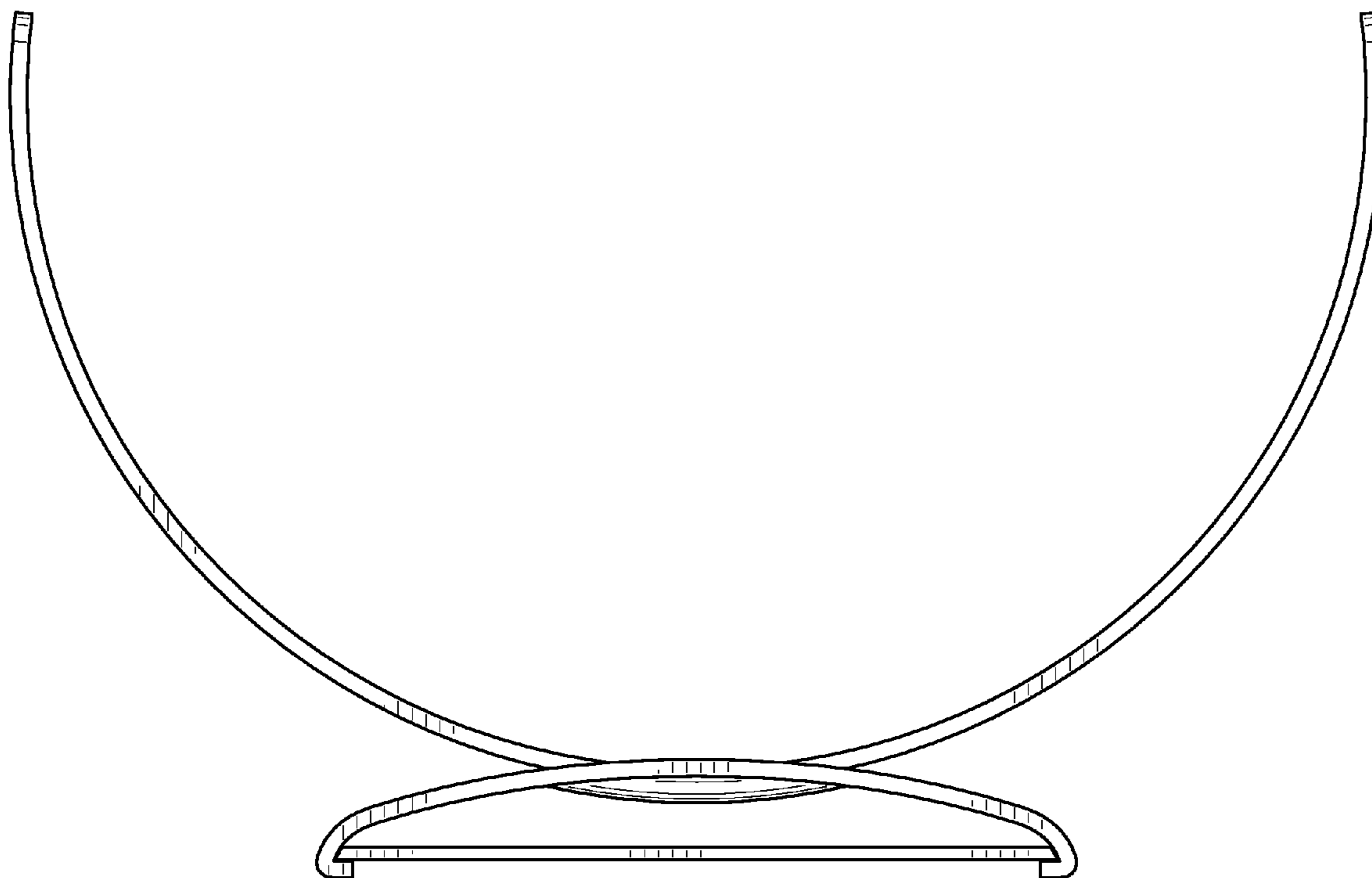
FIG. 1 is front view of the fan stand showing my design.  
FIG. 2 is a very greatly enlarged side elevation view thereof;  
FIG. 3 is an enlarged bottom view thereof;  
FIG. 4 is a greatly enlarged top plan view thereof; and,  
FIG. 5 is an upper perspective view thereof.

(56) **References Cited**

**U.S. PATENT DOCUMENTS**

D346,652 S \* 5/1994 Chiu et al. .... D23/382

**1 Claim, 5 Drawing Sheets**



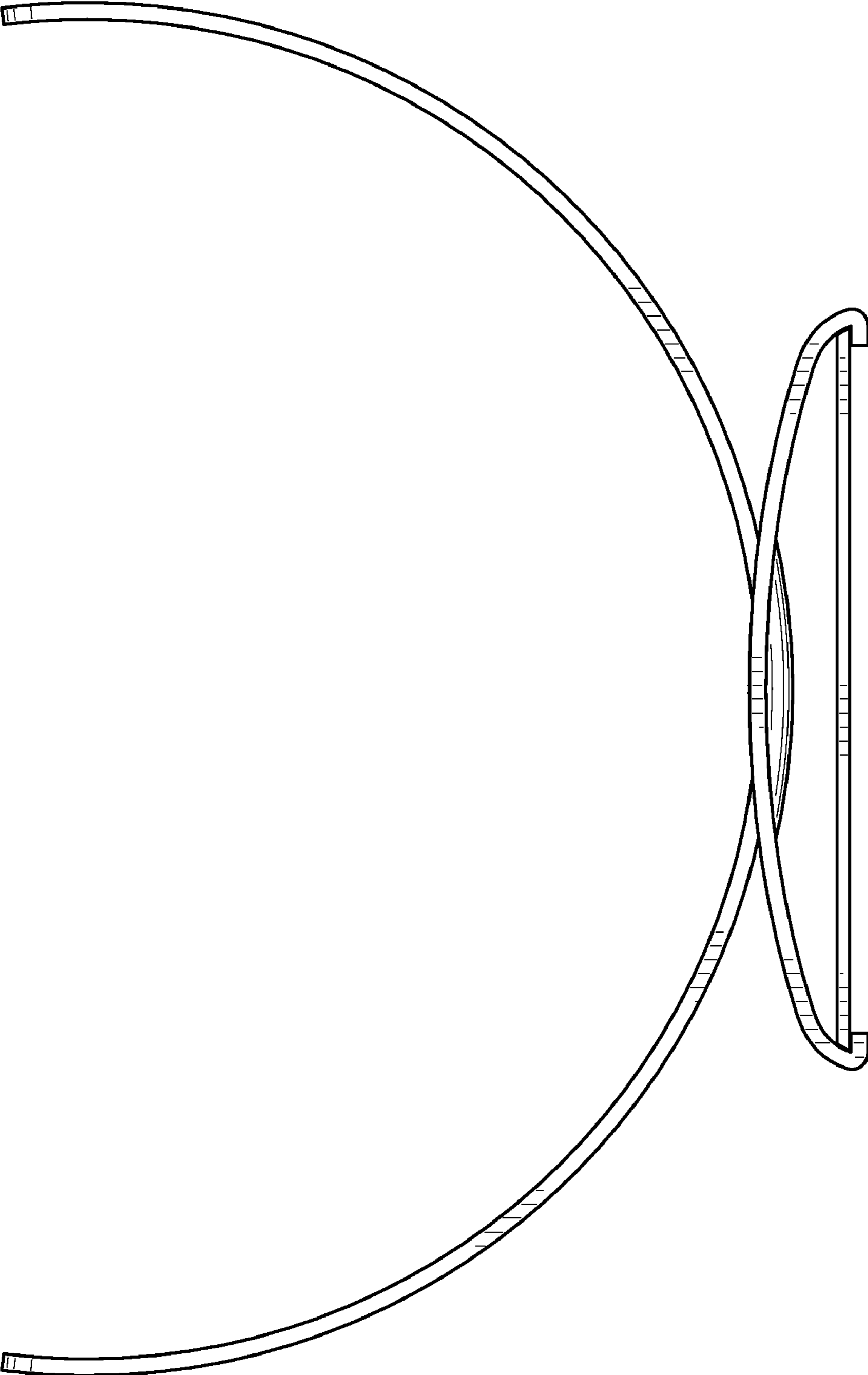
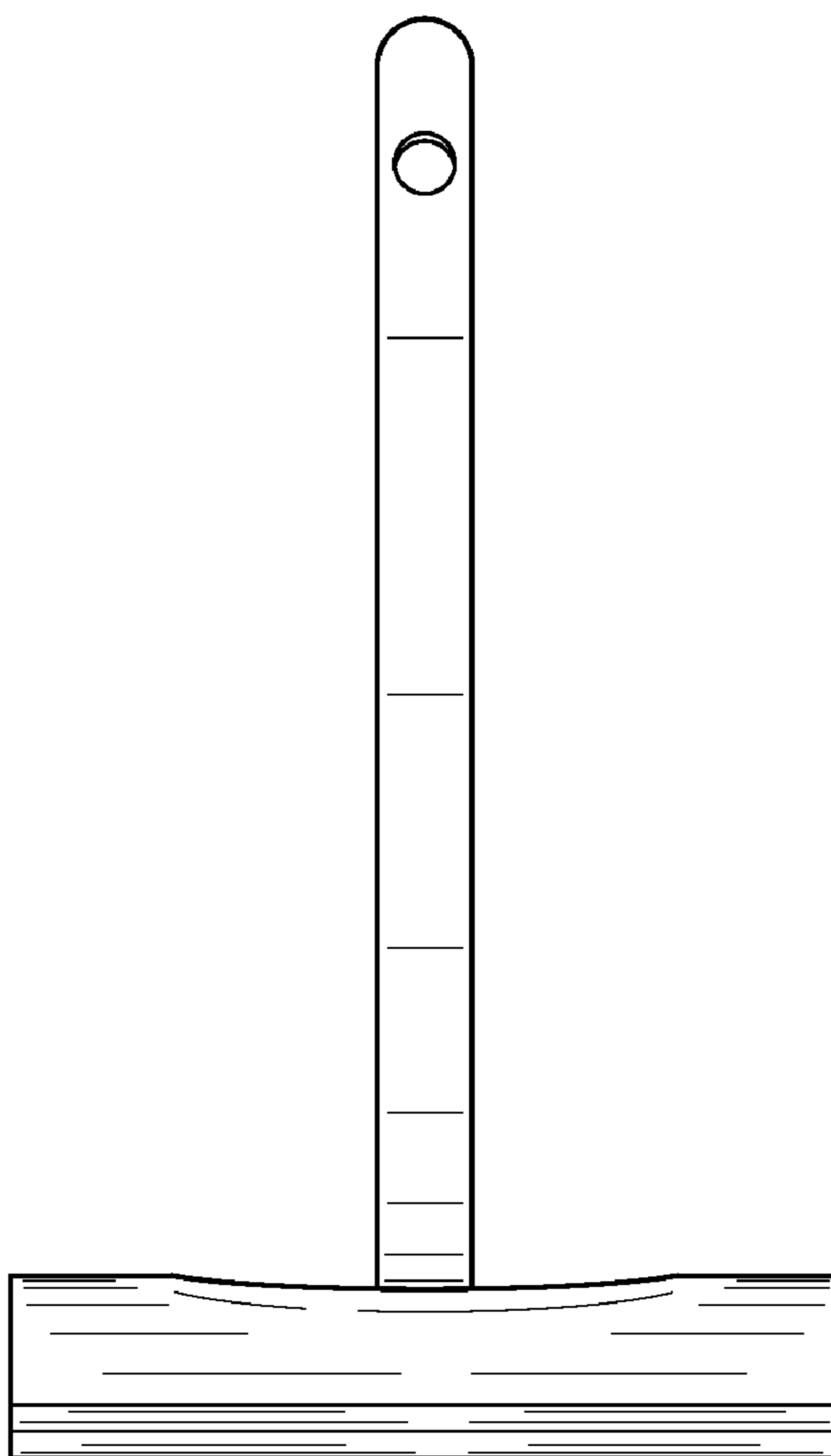


FIG. 1



*FIG. 2*

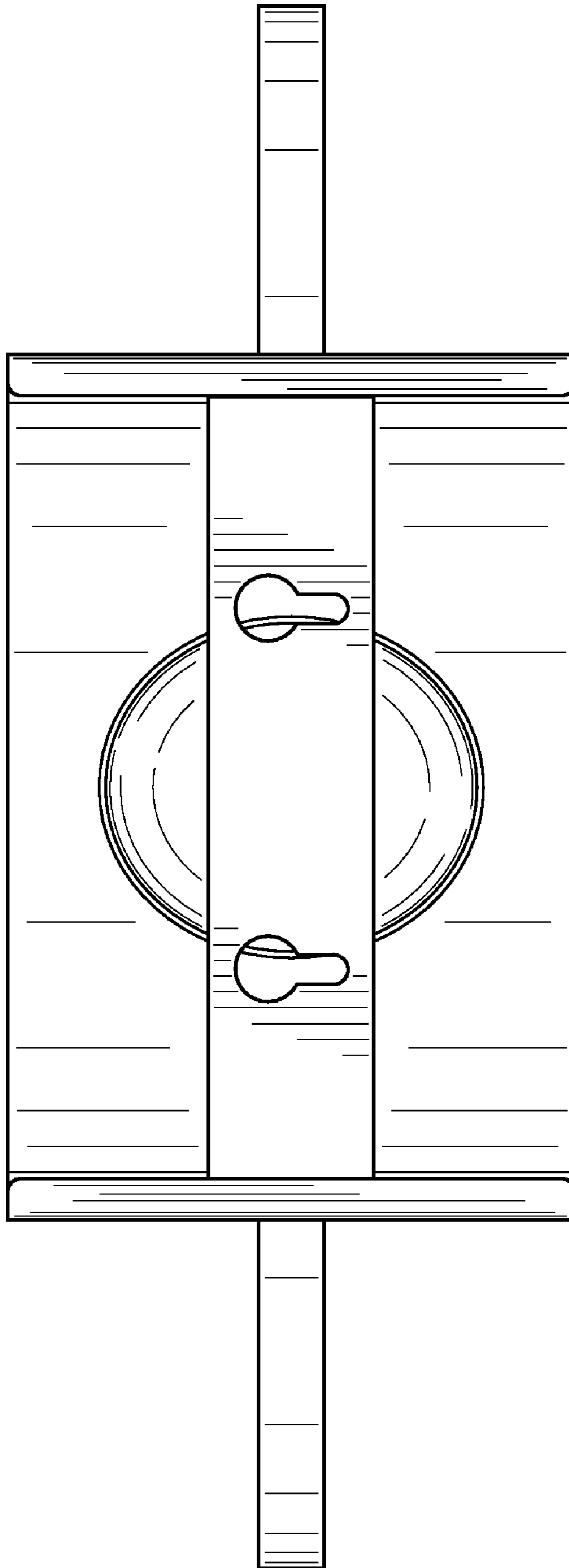


FIG. 3

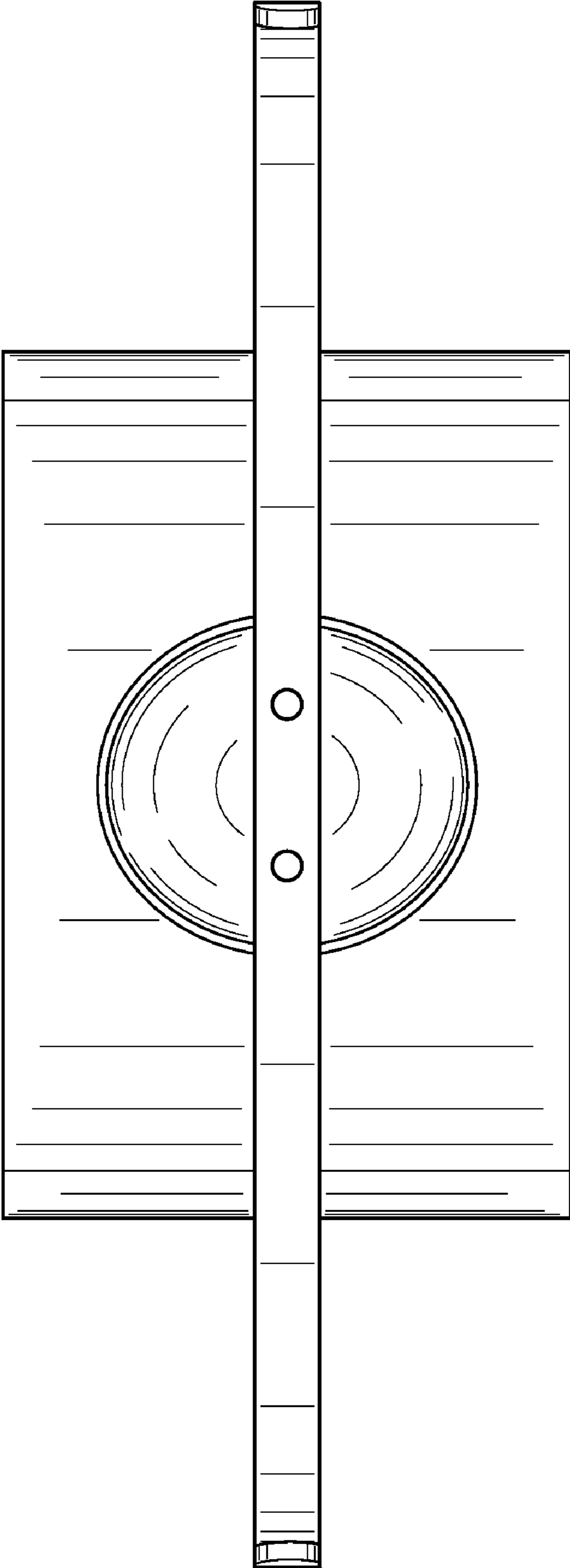


FIG. 4

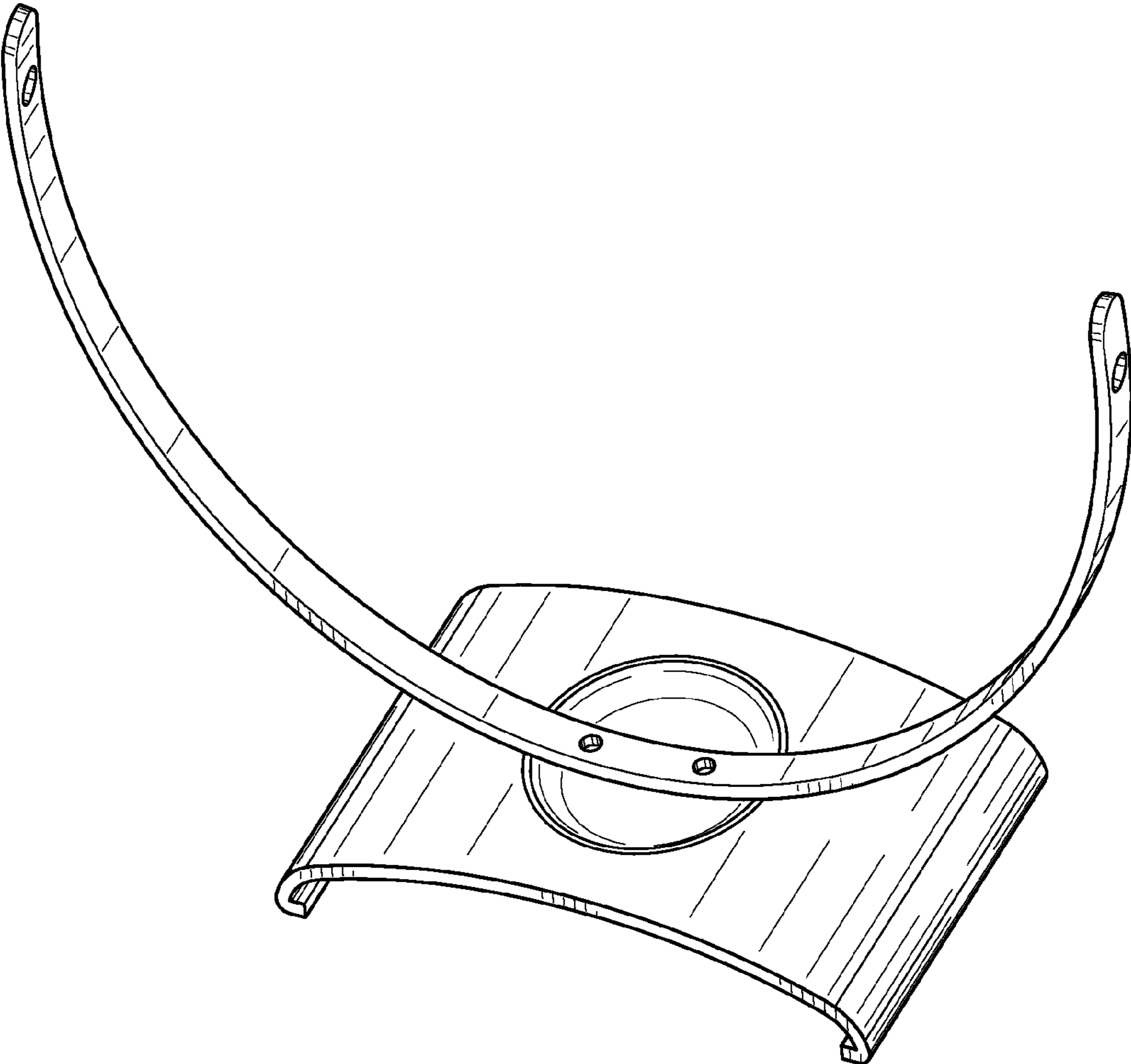


FIG. 5