



US00D570468S

(12) **United States Design Patent**
Flores

(10) **Patent No.:** **US D570,468 S**
(45) **Date of Patent:** **** Jun. 3, 2008**

(54) **CEILING MOUNT**

(75) Inventor: **Miguel Flores**, Riverside, CA (US)

(73) Assignee: **Minka Lighting, Inc.**, Corona, CA (US)

(**) Term: **14 Years**

(21) Appl. No.: **29/250,248**

(22) Filed: **Nov. 7, 2006**

(51) **LOC (8) Cl.** **23-04**

(52) **U.S. Cl.** **D23/411**

(58) **Field of Classification Search** D23/377,
D23/379, 385, 411, 413; 416/5; D26/59,
D26/71, 81-86, 88, 51; 362/96

See application file for complete search history.

(56) **References Cited**

U.S. PATENT DOCUMENTS

D517,195 S * 3/2006 Hidalgo D23/411

OTHER PUBLICATIONS

Minka Lavery Internet Catalog; Illuminati semi-flush light fixture; Model 6357-177; printed from minkagroup.net on Feb. 8, 2007.

* cited by examiner

Primary Examiner—Lisa Lichtenstein

(74) *Attorney, Agent, or Firm*—Baker & McKenzie LLP

(57) **CLAIM**

The ornamental design for a ceiling mount, as shown and described.

DESCRIPTION

FIG. 1 is a perspective view from below of a ceiling mount in accordance with my design;

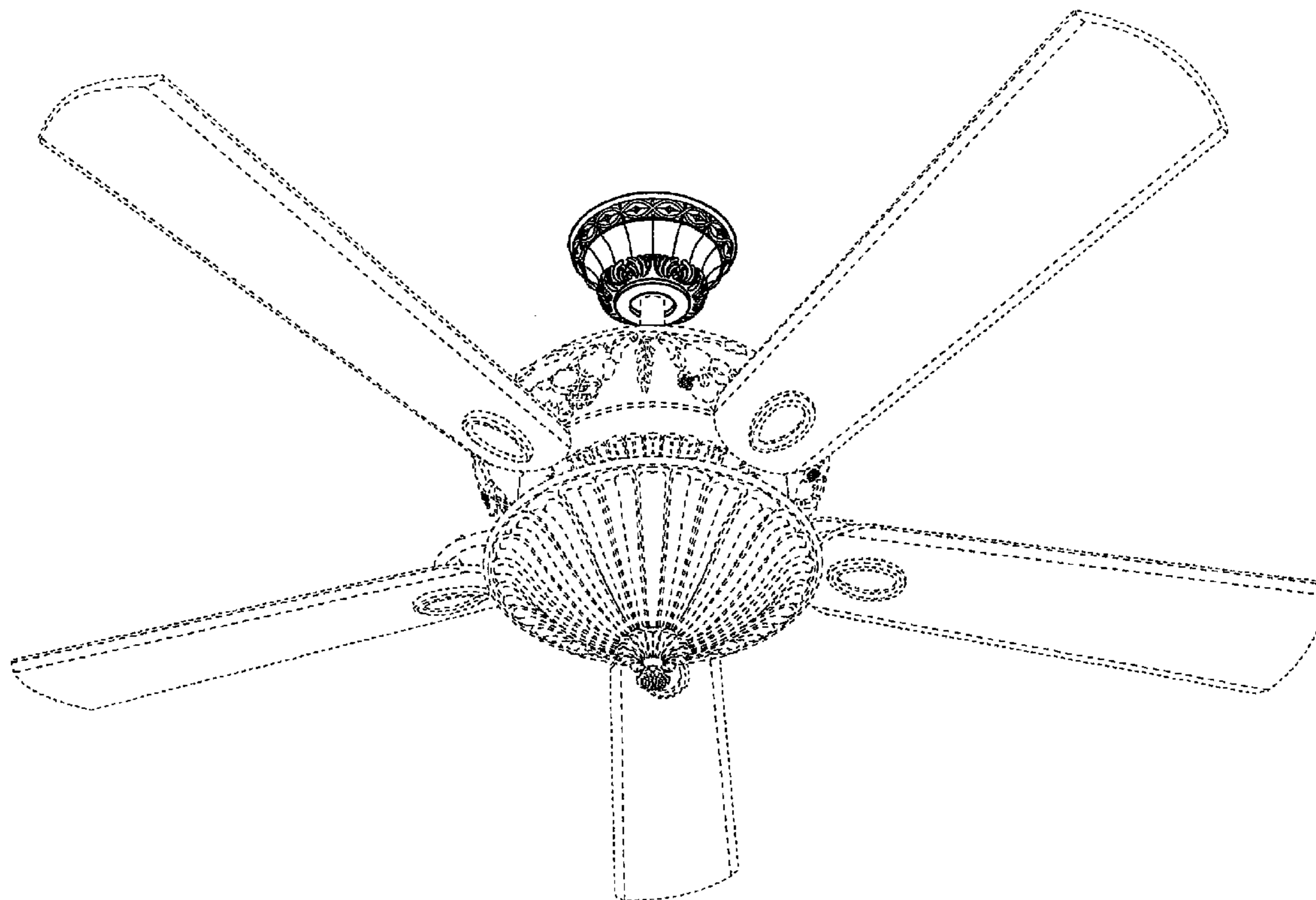
FIG. 2 is an enlarged perspective view from below of the ceiling mount in accordance with my design;

FIG. 3 is an enlarged side elevation view of the ceiling mount in accordance with my design, all sides being substantially identical to that shown; and,

FIG. 4 is an enlarged bottom plan view of the ceiling mount in accordance with my design.

The broken line showing of a ceiling fan is included for the purpose of illustrating environmental structure and forms no part of the claimed design.

1 Claim, 2 Drawing Sheets



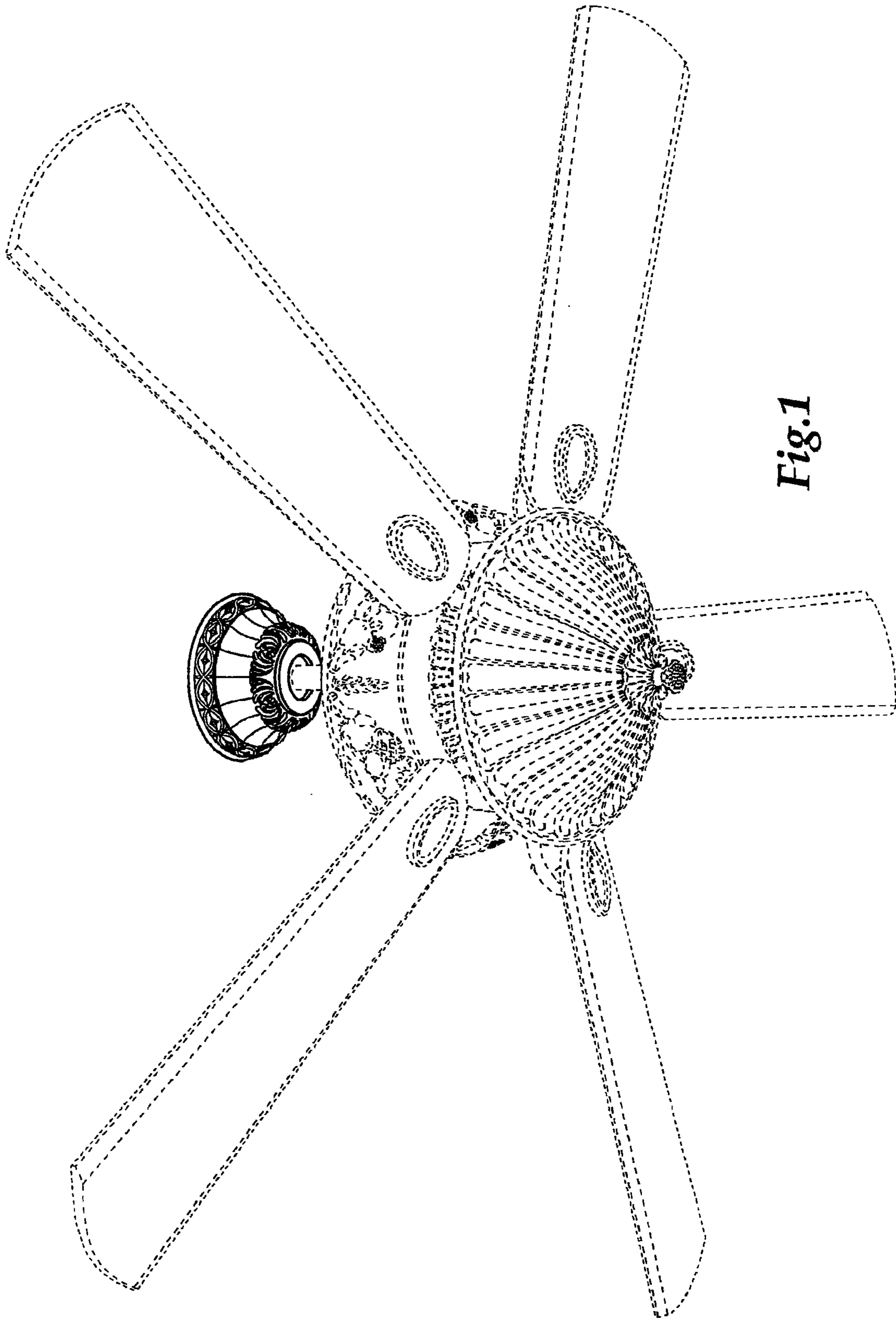


Fig. 1

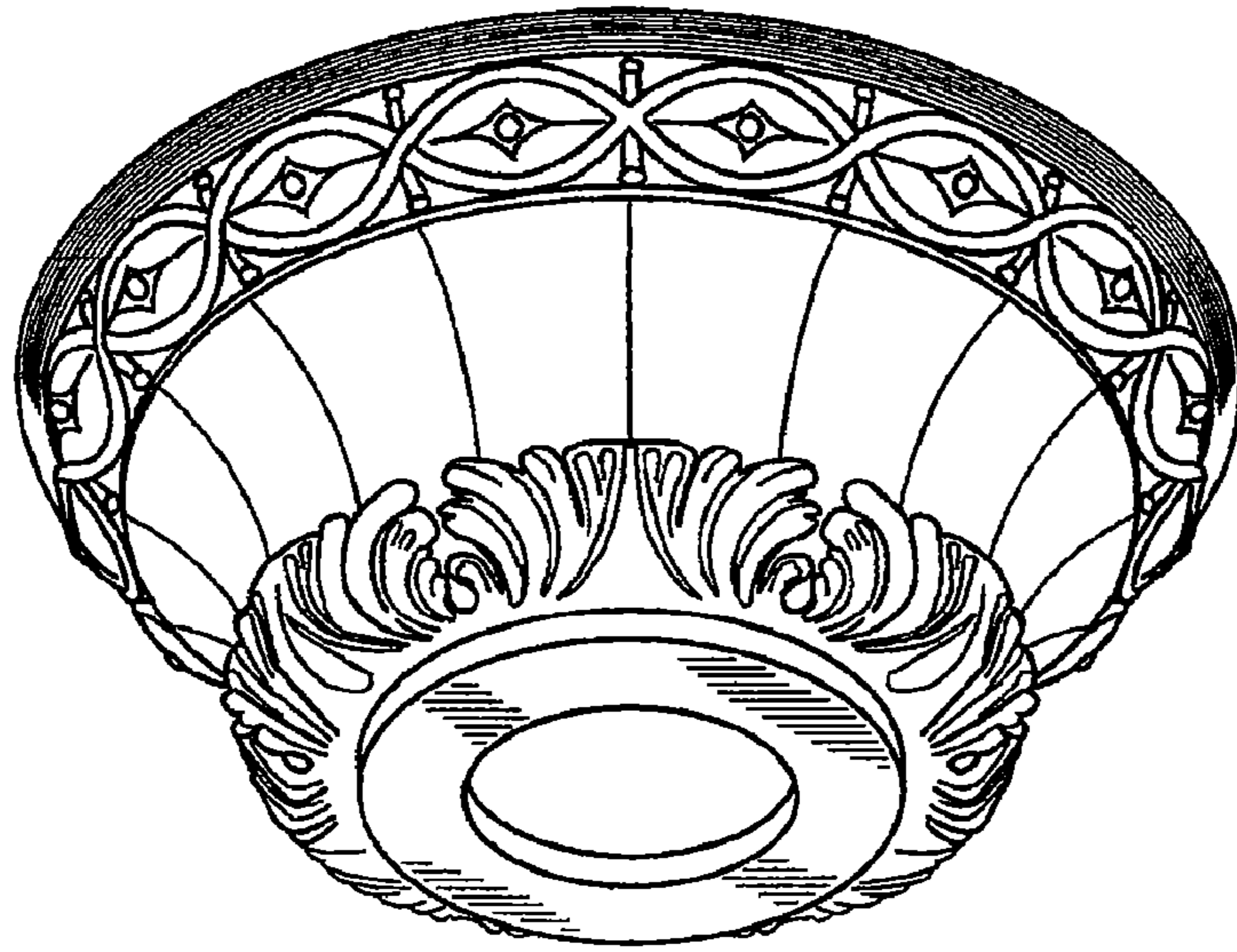


Fig.2

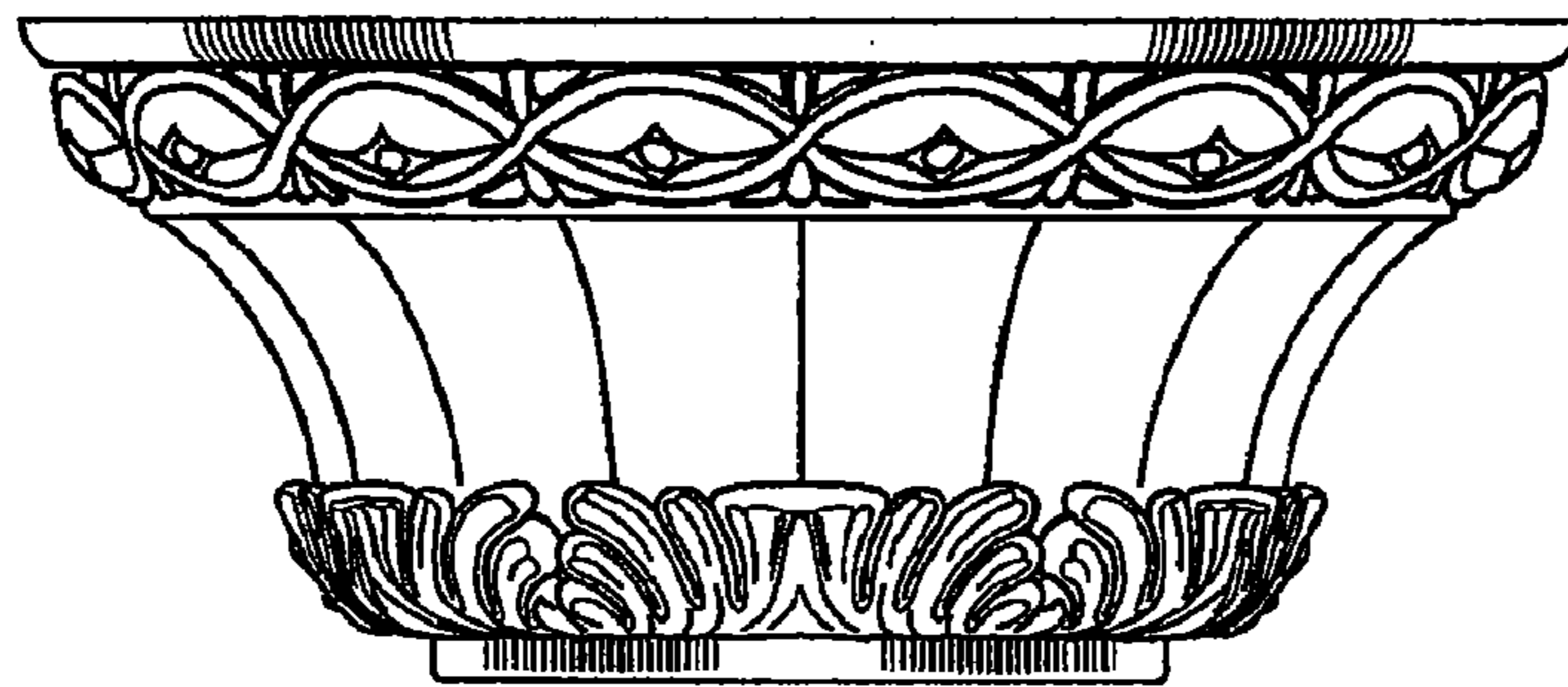


Fig.3

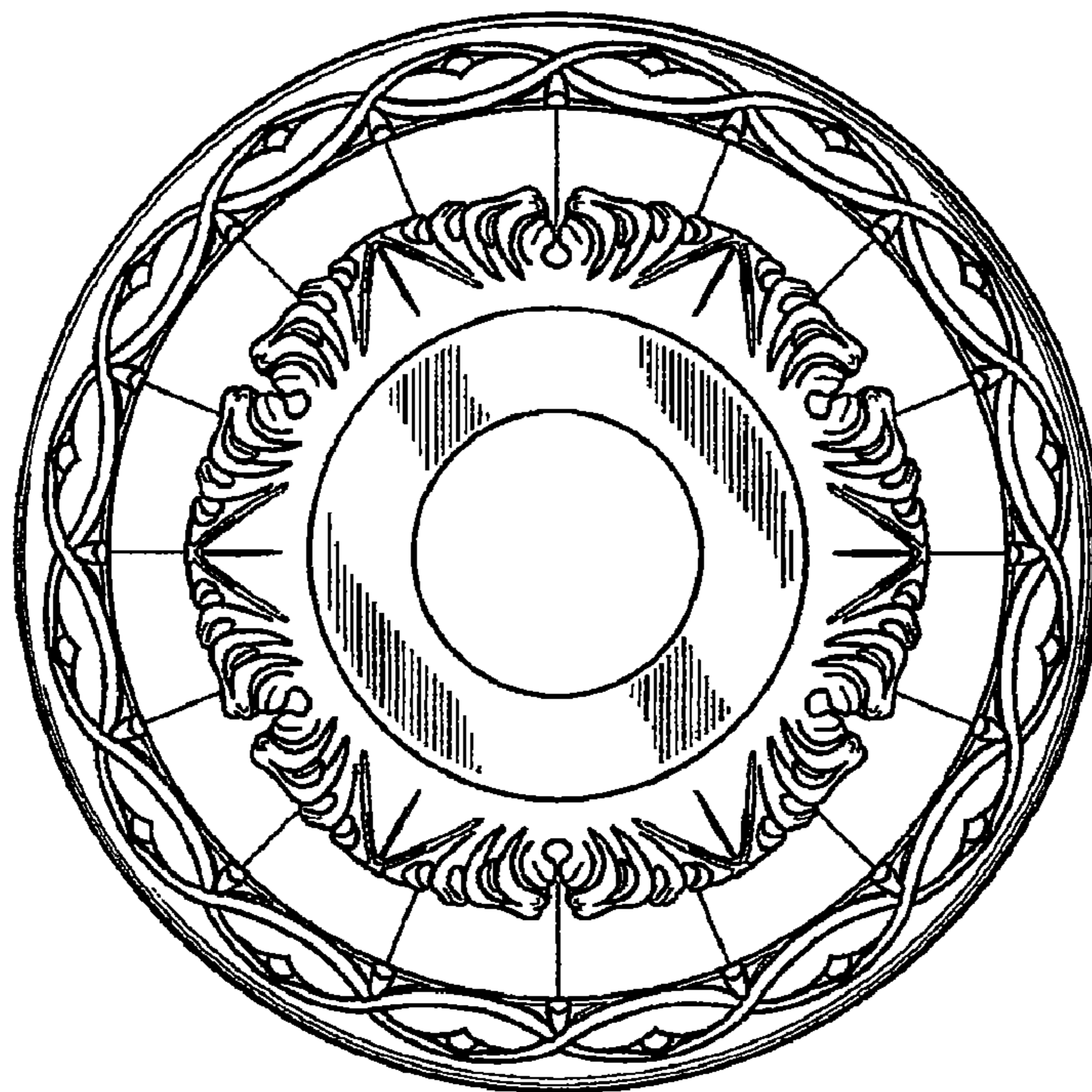


Fig.4