

US00D570467S

(12) **United States Design Patent**
Nishio et al.

(10) **Patent No.:** **US D570,467 S**
(45) **Date of Patent:** **** Jun. 3, 2008**

(54) **AIR BLOWER FOR AIR-SHOWER**

(75) Inventors: **Toshiyuki Nishio**, Kusatsu (JP); **Junji Nakamura**, Kusatsu (JP); **Manabu Katou**, Kusatsu (JP); **Kaichi Tsuji**, Kusatsu (JP); **Yuuichi Murai**, Kusatsu (JP); **Kouichirou Seki**, Kusatsu (JP); **Kentarou Niki**, Kusatsu (JP); **Dai Satou**, Kusatsu (JP); **Yumi Ohta**, Kusatsu (JP); **Hiroko Kashimoto**, Kusatsu (JP); **Masahiko Chouji**, Kusatsu (JP)

3,606,998	A *	9/1971	La Porte et al.	55/358
3,908,905	A *	9/1975	Von Philipp et al.	239/55
D256,613	S *	8/1980	Hilker	D23/385
D266,186	S *	9/1982	Chesnut et al.	D23/342
D285,830	S *	9/1986	Daily et al.	D23/388
5,120,273	A *	6/1992	Lin	454/277
5,160,586	A *	11/1992	Yoshimoto et al.	588/261
D357,732	S *	4/1995	Spechts et al.	D23/388
5,692,954	A *	12/1997	Lee et al.	454/187
5,713,791	A *	2/1998	Long et al.	454/187
6,095,917	A *	8/2000	Utsuki	454/187
6,371,846	B1 *	4/2002	Powell et al.	55/385.2
6,372,042	B1 *	4/2002	Sung et al.	454/187

(73) Assignee: **Daikin Industries Ltd.**, Osaka (JP)

* cited by examiner

(**) Term: **14 Years**

Primary Examiner—Louis S Zarfaz
Assistant Examiner—David G Muller

(21) Appl. No.: **29/290,173**

(74) *Attorney, Agent, or Firm*—Manabu Kanesaka

(22) Filed: **Nov. 1, 2007**

(57) **CLAIM**

(51) **LOC (8) Cl.** **23-04**

The ornamental design for an air blower for air-shower, as shown and described.

(52) **U.S. Cl.** **D23/386**

(58) **Field of Classification Search** D23/386,
D23/389, 393, 385, 370, 351, 354, 388, 355,
D23/357, 361, 387, 366, 342; 454/187, 309,
454/275–277, 284, 287–291; 55/385.2, 358;
239/55, 51.5; 588/261

See application file for complete search history.

DESCRIPTION

(56) **References Cited**

U.S. PATENT DOCUMENTS

888,393	A *	5/1908	Dunning	239/51.5
1,423,356	A *	7/1922	Oakford	239/55
D153,487	S *	4/1949	Adam	D23/385
2,741,003	A *	4/1956	David	D23/366

FIG. 1 is a perspective view of an air blower for air-shower showing our new design;

FIG. 2 is a front view thereof; a rear view being the same as the front view;

FIG. 3 is a plan view thereof;

FIG. 4 is a bottom view thereof; and,

FIG. 5 is a right side view thereof; a left side view being the same as the right side view.

1 Claim, 4 Drawing Sheets

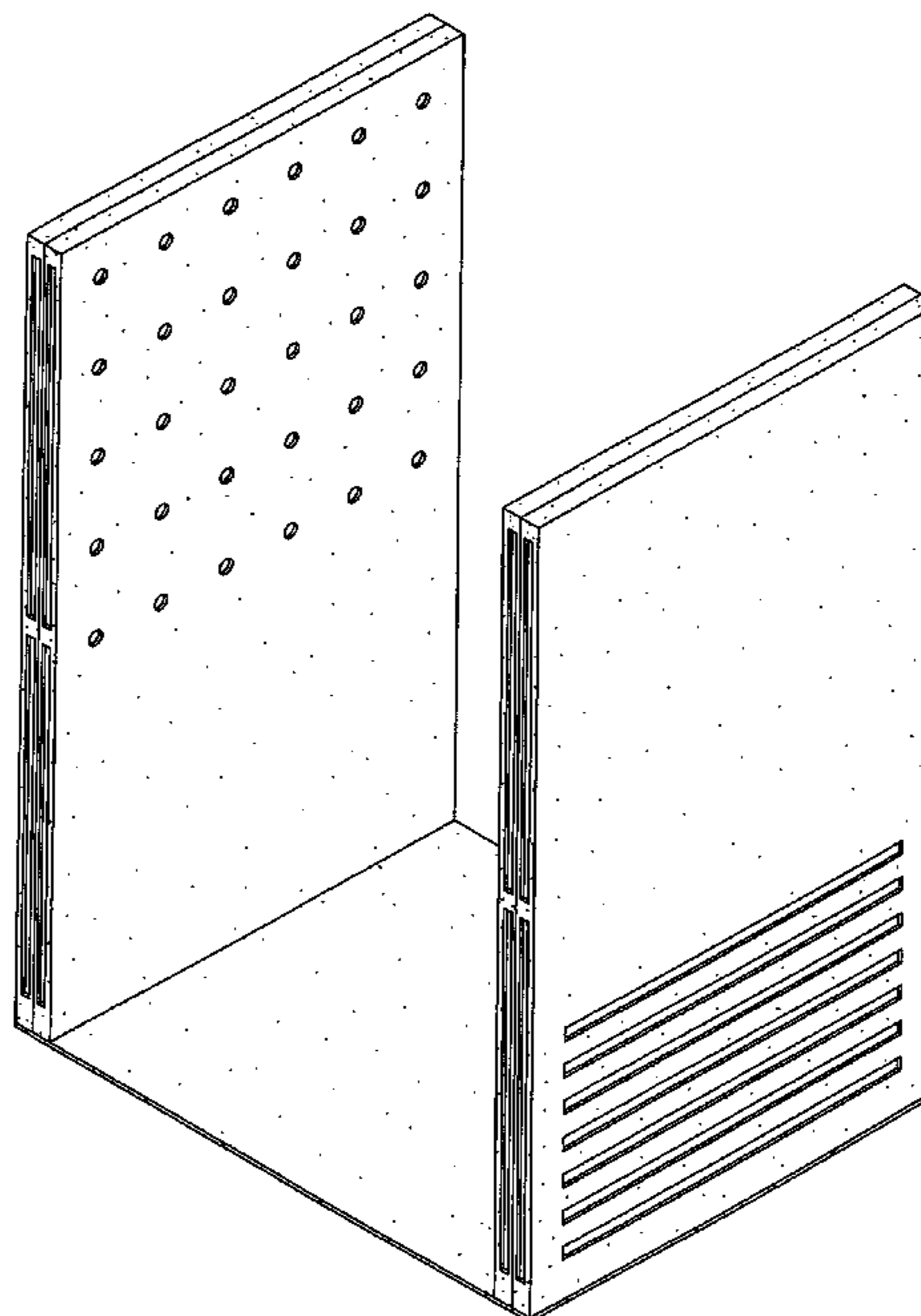


Fig. 1

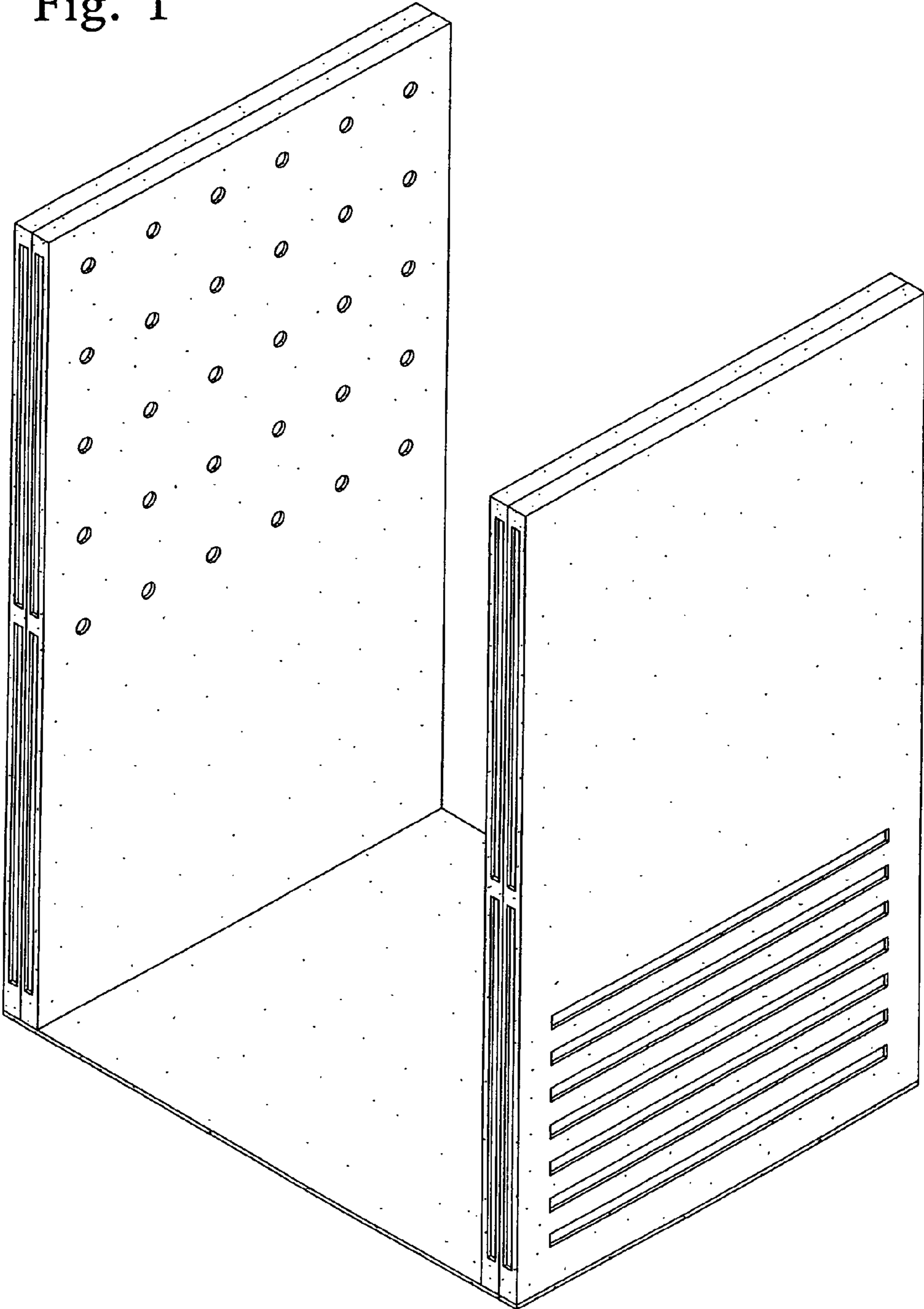


Fig. 2

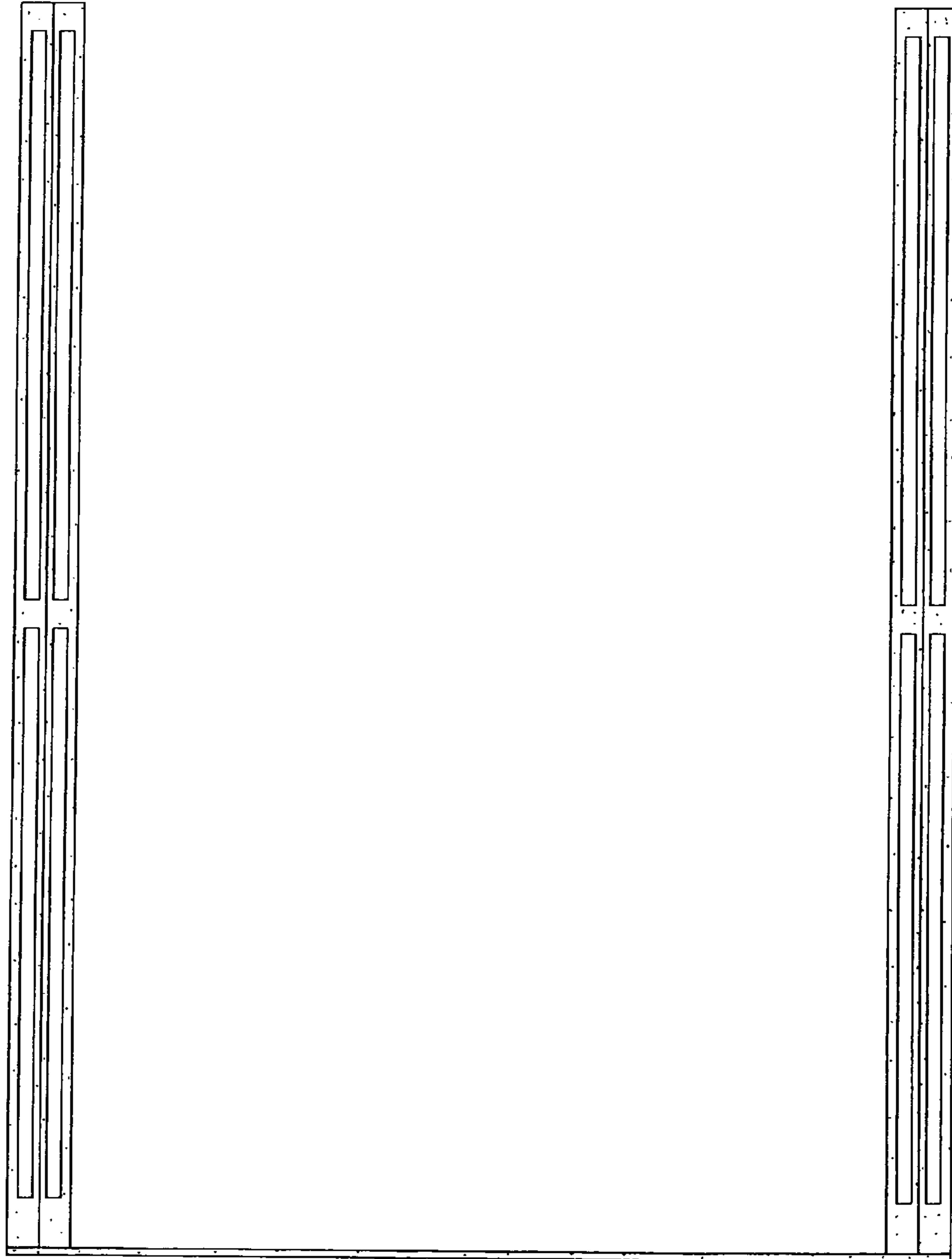


Fig. 3

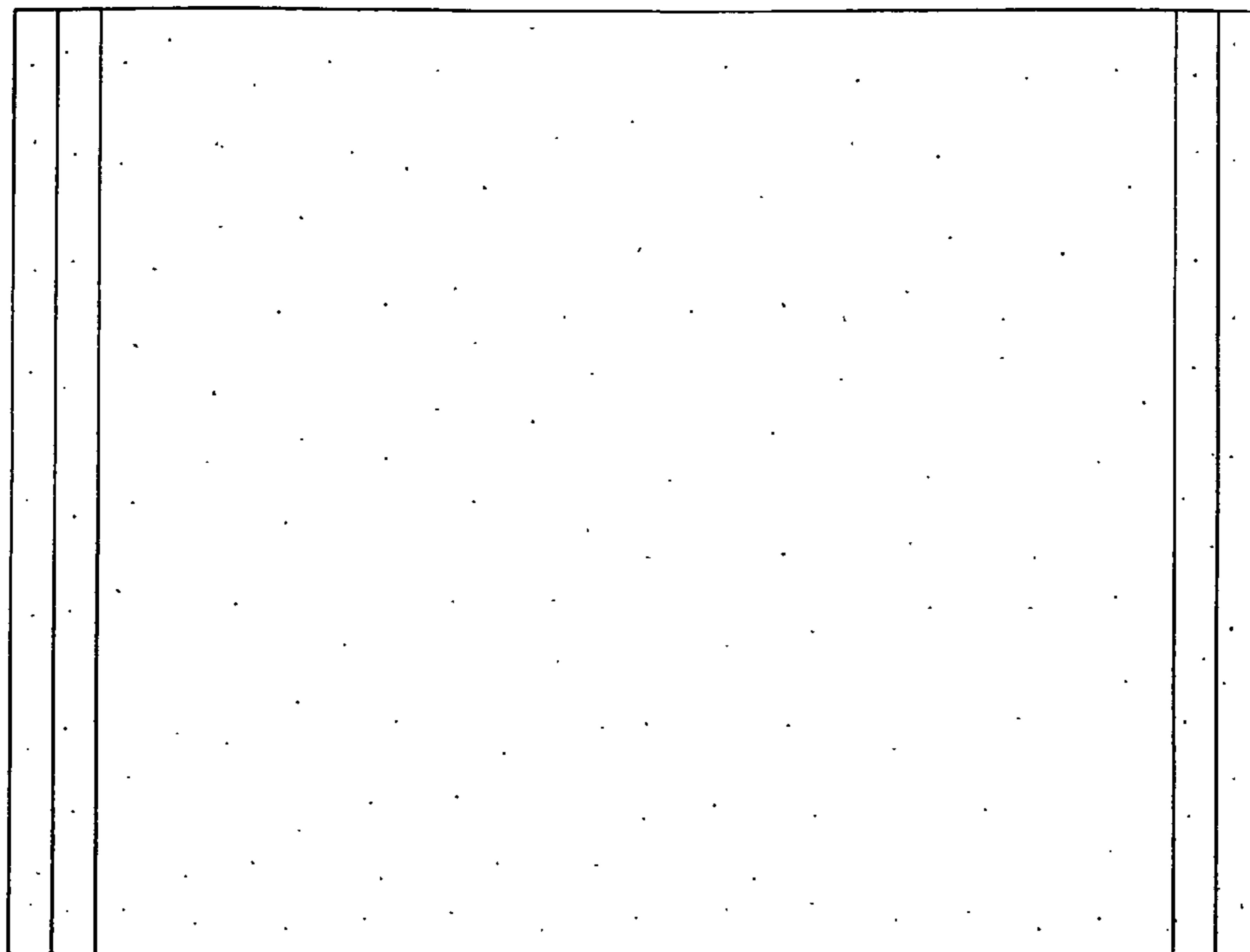


Fig. 4

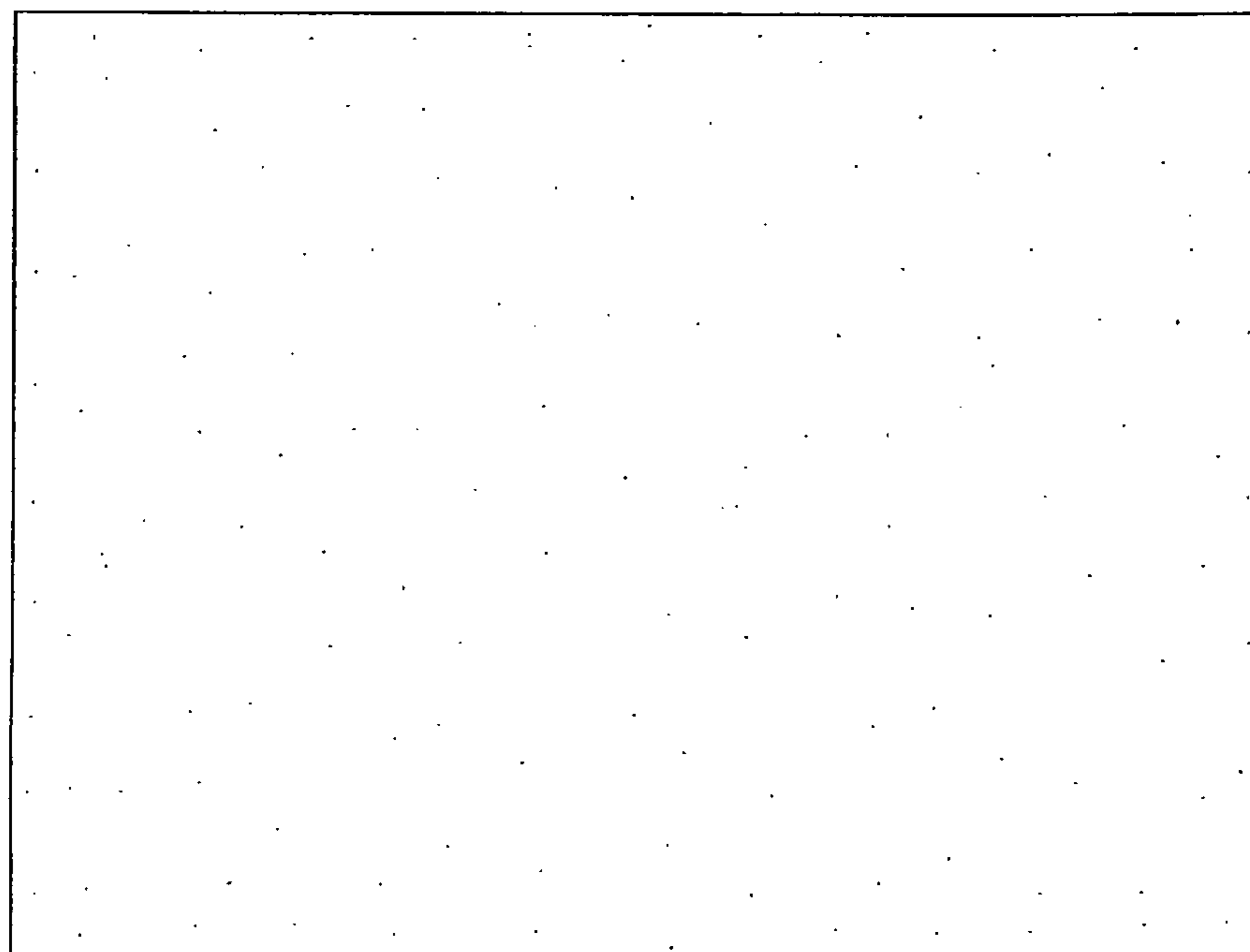


Fig. 5

