

US00D570460S

(12) **United States Design Patent**
Kitzmilller

(10) **Patent No.:** **US D570,460 S**

(45) **Date of Patent:** **** Jun. 3, 2008**

(54) **SINK**

(75) Inventor: **Anne Kitzmilller**, Sheboygan, WI (US)

(73) Assignee: **Kohler, Co.**, Kohler, WI (US)

(**) Term: **14 Years**

(21) Appl. No.: **29/297,200**

(22) Filed: **Nov. 6, 2007**

(51) **LOC (8) Cl.** **23-02**

(52) **U.S. Cl.** **D23/290**

(58) **Field of Classification Search** D23/271-274,
D23/284-293.1, 303, 308; 4/619, 624, 661
See application file for complete search history.

(56) **References Cited**

U.S. PATENT DOCUMENTS

D318,523 S	7/1991	Blanc et al.
D526,393 S	8/2006	Blomstrom
D544,947 S	6/2007	Taylor
D545,409 S	6/2007	Plikuhn

OTHER PUBLICATIONS

M 88 00 652.2—Double basin sink, 1988, Wila Verlag GmbH—Alle Rechte vorbehalten.
Kohler Co. Double basin sink. Kohler Co. online catalog. Copyright 2007 Kohler Co.

Primary Examiner—Robert A Delehanty

(74) *Attorney, Agent, or Firm*—Quarles & Brady LLP

(57) **CLAIM**

The ornamental design for a sink, as shown and described.

DESCRIPTION

In a preferred embodiment, the nature of this product is as a plumbing fixture primarily useful for washing various objects.

FIG. 1 is a right, top, front perspective view of a sink according to my new design;

FIG. 2 is a top plan view thereof;

FIG. 3 is a front elevational view thereof;

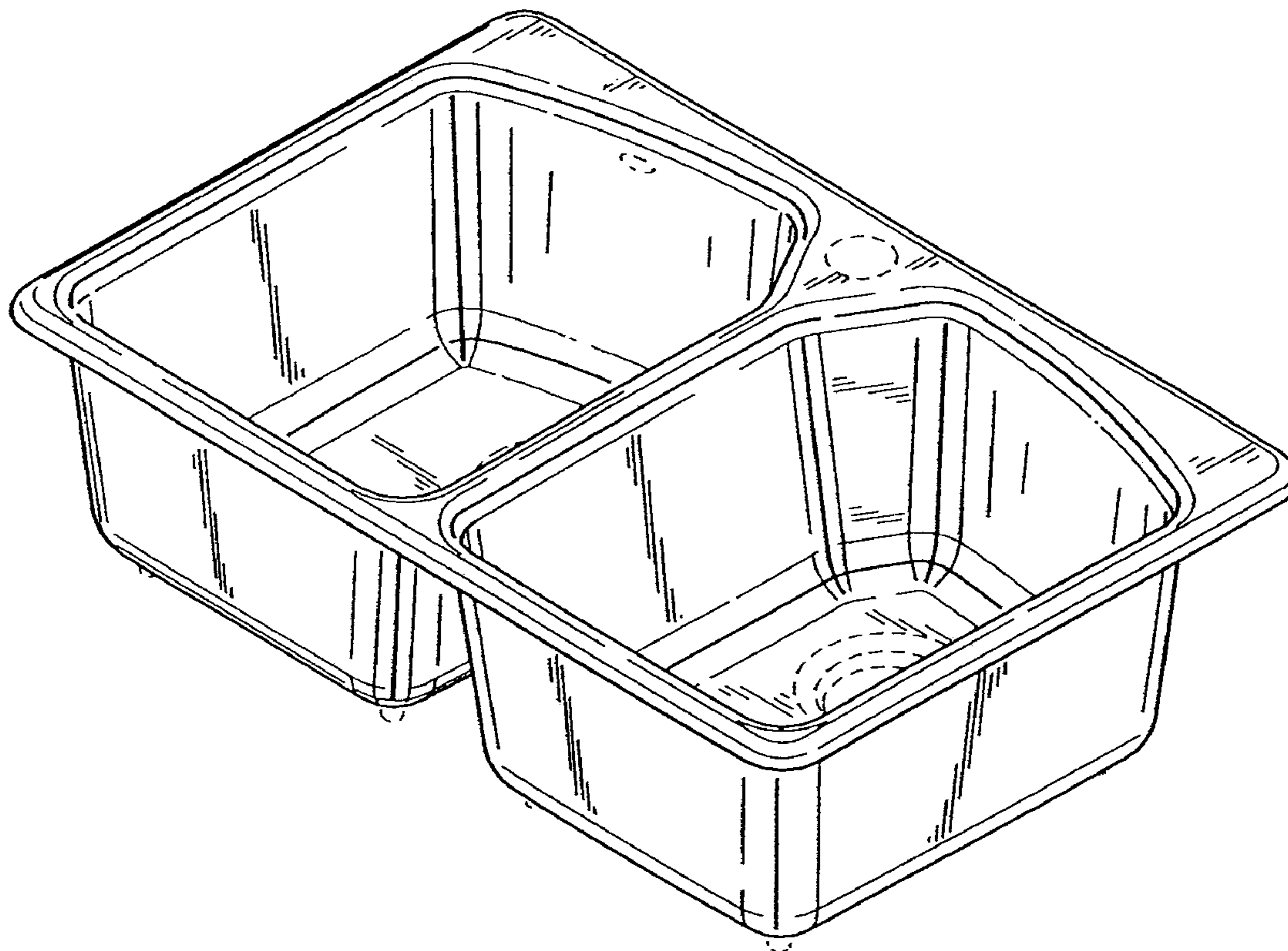
FIG. 4 is a rear elevational view thereof;

FIG. 5 is a right side elevational view thereof, the left side elevational view thereof being a mirror image or the right side shown; and,

FIG. 6 is a bottom plan view thereof.

The broken line representations in the figures are for the purpose of illustration only, and form no part of the claimed design.

1 Claim, 3 Drawing Sheets



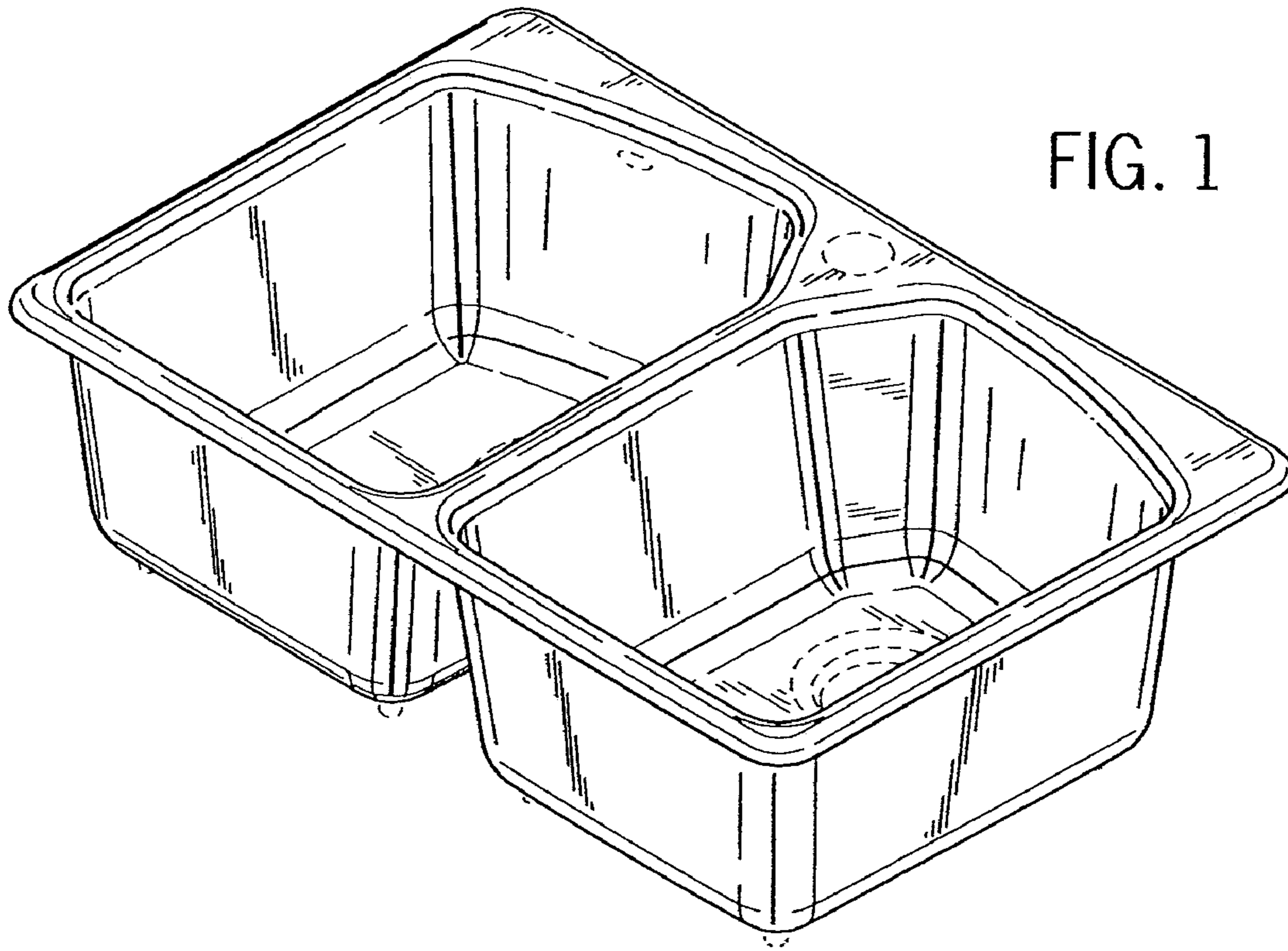


FIG. 2

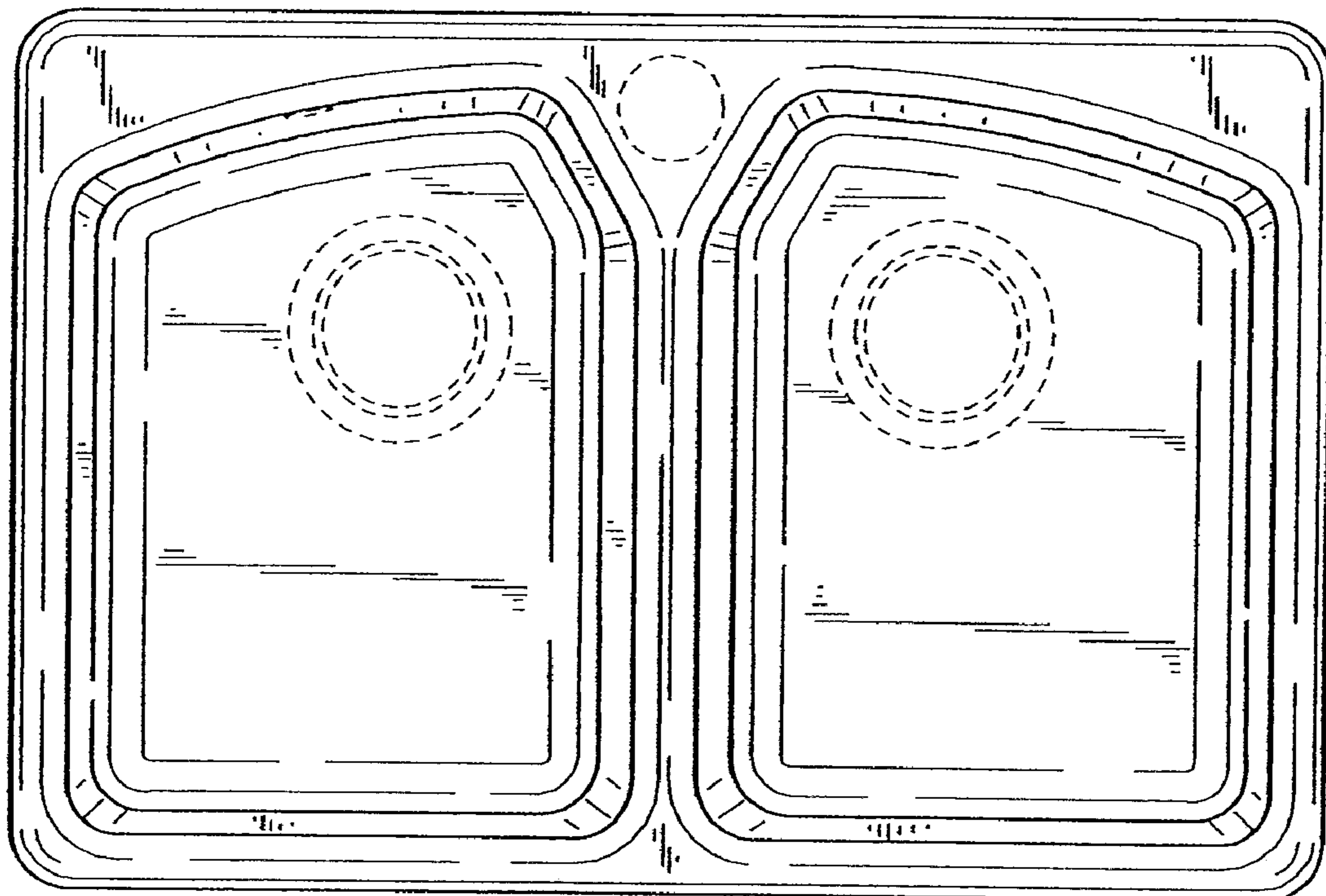


FIG. 3

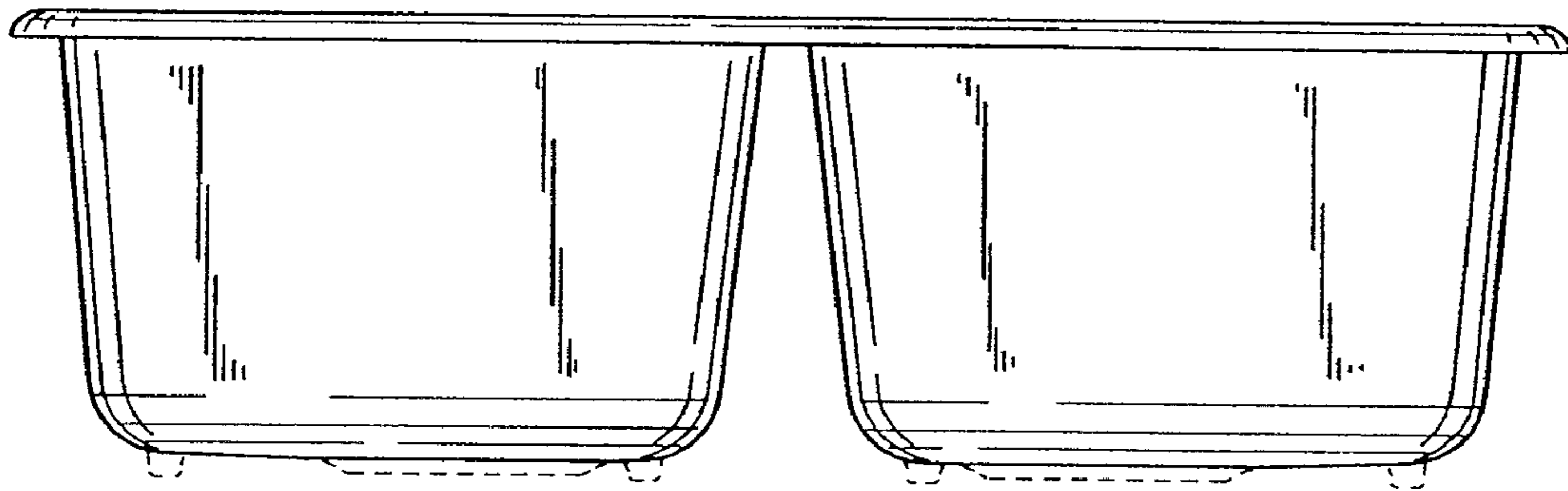


FIG. 4

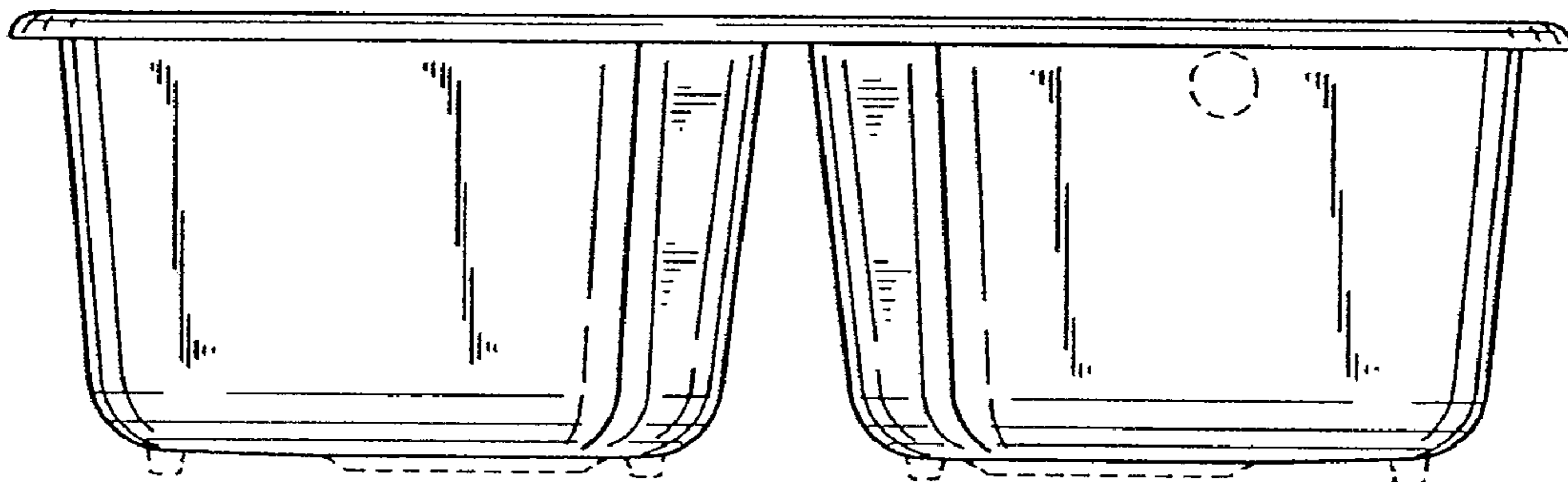
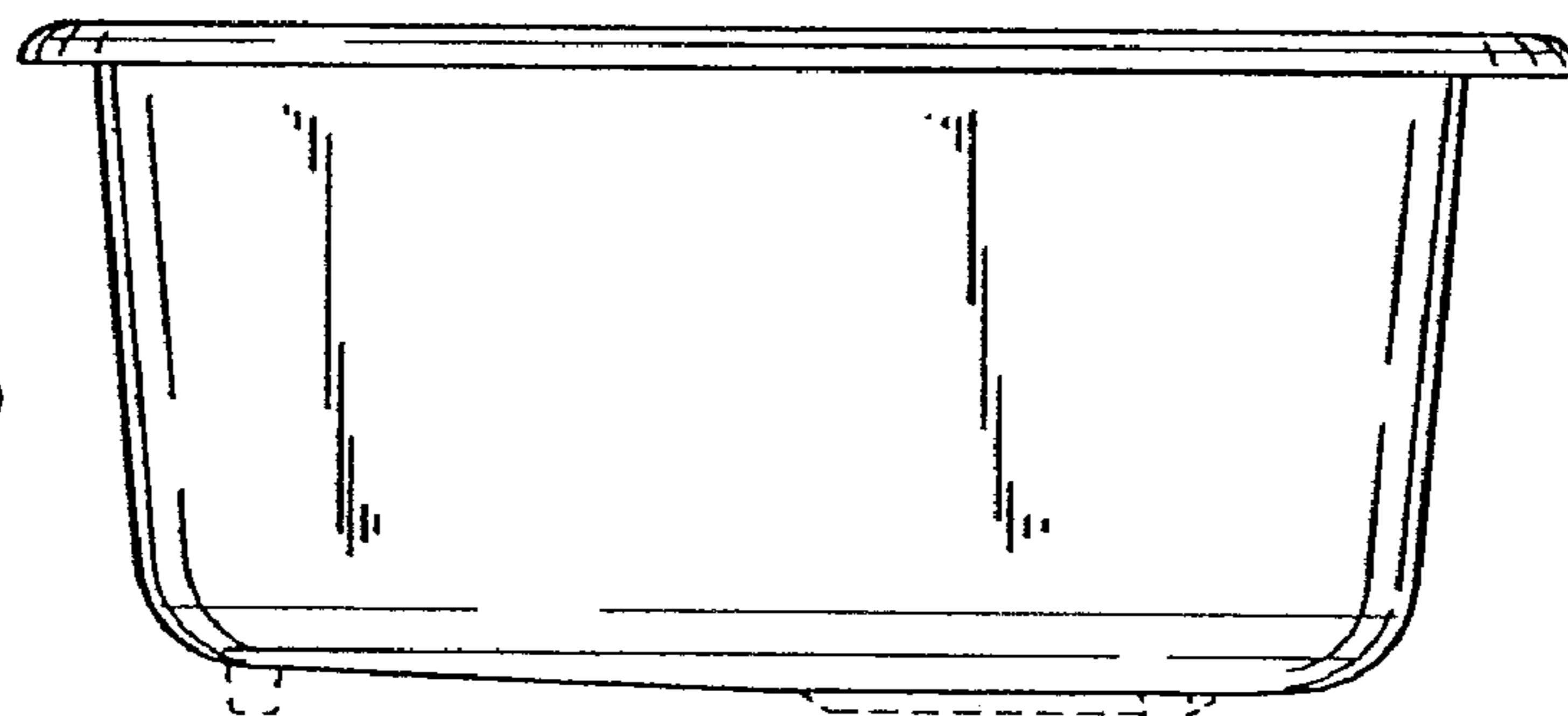


FIG. 5



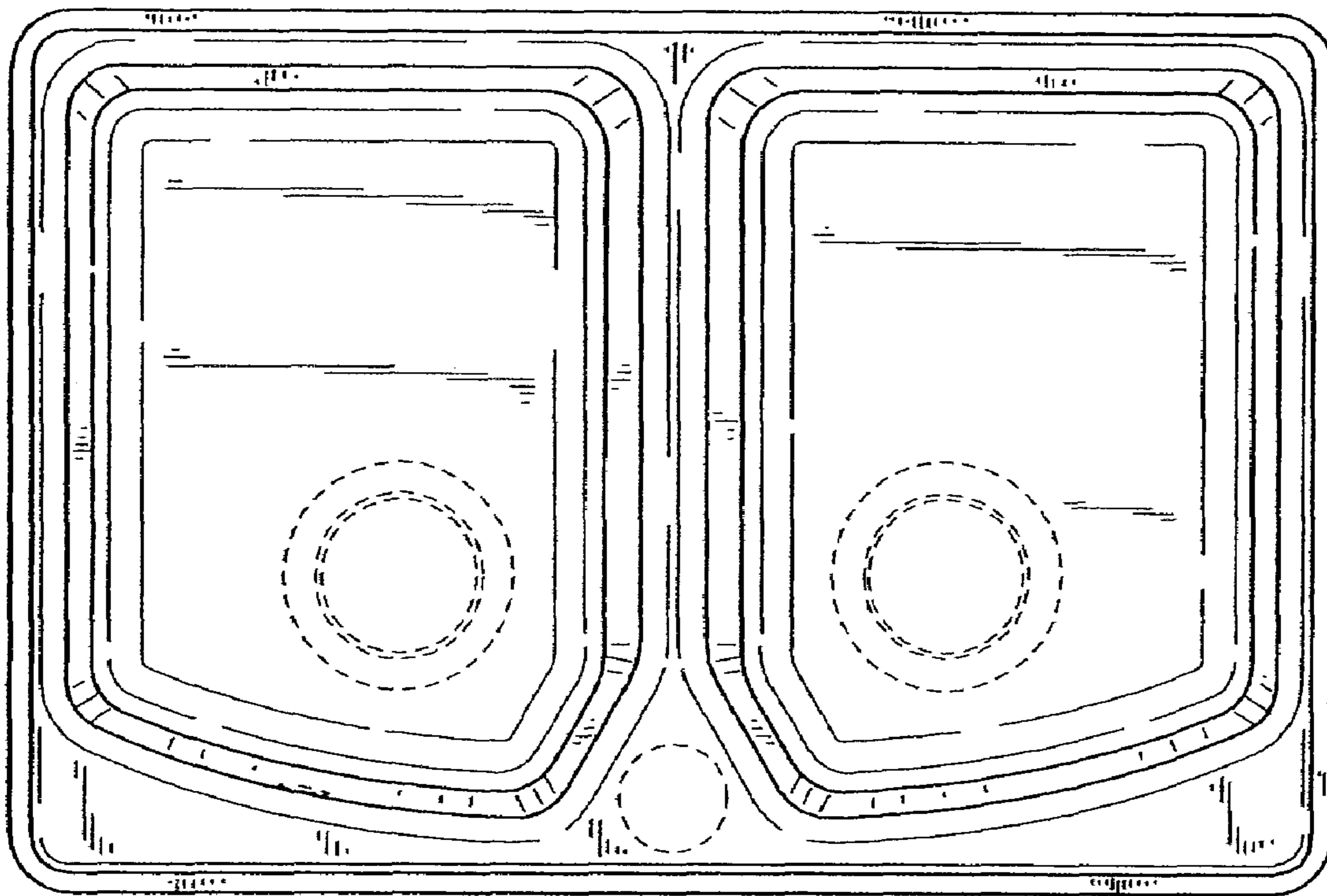


FIG. 6

UNITED STATES PATENT AND TRADEMARK OFFICE
CERTIFICATE OF CORRECTION

PATENT NO. : Des. 570,460 S
APPLICATION NO. : 29/297200
DATED : June 3, 2008
INVENTOR(S) : Anne Kitzmiller

Page 1 of 1

It is certified that error appears in the above-identified patent and that said Letters Patent is hereby corrected as shown below:

On the Title page insert Item [63] --This application is a divisional of U.S. Application No. 29/279,684, filed May 4, 2007.--

Signed and Sealed this

Sixteenth Day of September, 2008

A handwritten signature in black ink that reads "Jon W. Dudas". The signature is written in a cursive style with a large, stylized initial "J".

JON W. DUDAS

Director of the United States Patent and Trademark Office