

US00D570458S

(12) **United States Design Patent**  
**Gibb et al.**

(10) **Patent No.: US D570,458 S**  
(45) **Date of Patent: \*\* Jun. 3, 2008**

(54) **MECHANICAL COUPLING**  
(75) Inventors: **John Gibb**, Beeton (CA); **Douglas R. Dole**, Whitehouse Station, NJ (US); **Michael V. Porter**, Easton, PA (US); **William A. Nagle**, Laureldale, PA (US)  
(73) Assignee: **Victaulic Company**, Easton, PA (US)  
(\*\*) Term: **14 Years**

D287,532 S	12/1986	Jones et al. ....	D23/265
D298,802 S	12/1988	Tekirian .....	D8/396
4,896,902 A	1/1990	Weston .....	285/93
4,966,395 A	10/1990	Hendrickson .....	285/12
5,058,931 A	10/1991	Bowsher .....	285/112
5,911,446 A	6/1999	McLennan et al. ....	285/104
6,076,861 A	6/2000	Ikeda .....	285/112
6,312,025 B1	11/2001	Wolfsdorf .....	285/369
6,626,466 B1	9/2003	Dole .....	285/112
7,090,259 B2	8/2006	Dole .....	285/367
2005/0242585 A1	11/2005	Dole .....	285/367

(21) Appl. No.: **29/296,148**

(22) Filed: **Oct. 15, 2007**

**Related U.S. Application Data**

(62) Division of application No. 29/232,359, filed on Jun. 17, 2005, now Pat. No. Des. 560,764.

(51) **LOC (8) Cl.** ..... **23-01**  
(52) **U.S. Cl.** ..... **D23/262**  
(58) **Field of Classification Search** ..... D23/262-265;  
285/1, 53, 104-105, 404, 112, 340, 367, 373,  
285/915; 403/300, 291; D8/396; 411/5,  
411/10

See application file for complete search history.

(56) **References Cited**

**U.S. PATENT DOCUMENTS**

1,851,574 A	3/1932	Fiederlein .....	285/332
1,905,324 A	4/1933	Waters .....	285/104
1,930,194 A	10/1933	Dillon .....	285/104
2,020,554 A	11/1935	Johnson .....	285/383
D142,057 S	8/1945	Baxter .....	D23/265
D168,928 S	3/1953	English .....	D23/265
2,650,115 A	8/1953	Hall .....	285/105
2,752,173 A	6/1956	Krooss .....	285/129
3,078,108 A	2/1963	Smith .....	285/104
4,218,080 A	8/1980	Kendrick .....	285/347
4,408,788 A	10/1983	Beukema .....	285/419
4,417,755 A	11/1983	Gittleman .....	285/373

**OTHER PUBLICATIONS**

U.S. Appl. No. 29/232,362, filed Jun. 17, 2005, (Gibb et al).  
U.S. Appl. No. 29/232,359, filed Jun. 17, 2005, (Gibb et al).  
Asian Sources Hardwares by CATIC Shenzhen Corp. dated Apr. 2005 (2 pages).

*Primary Examiner*—Louis S Zarfaz

*Assistant Examiner*—Eric L Goodman

(74) *Attorney, Agent, or Firm*—Synnestvedt & Lechner LLP

(57) **CLAIM**

We claim the ornamental design for a mechanical coupling, as shown and described.

**DESCRIPTION**

FIG. 1 is a perspective view of our design for a pipe coupling;

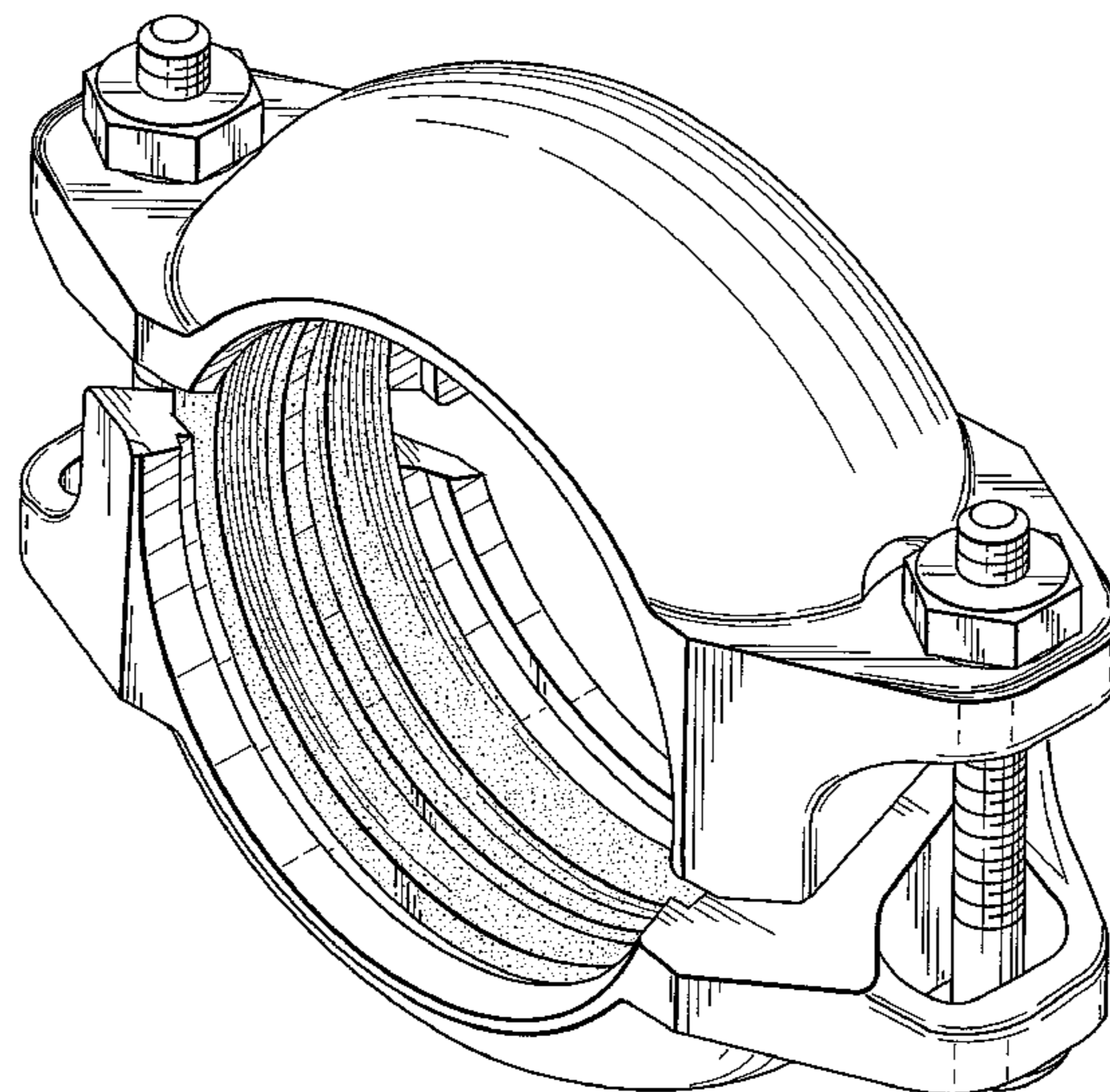
FIG. 2 is an end view of the pipe coupling shown in FIG. 1, the opposite end view being identical thereto;

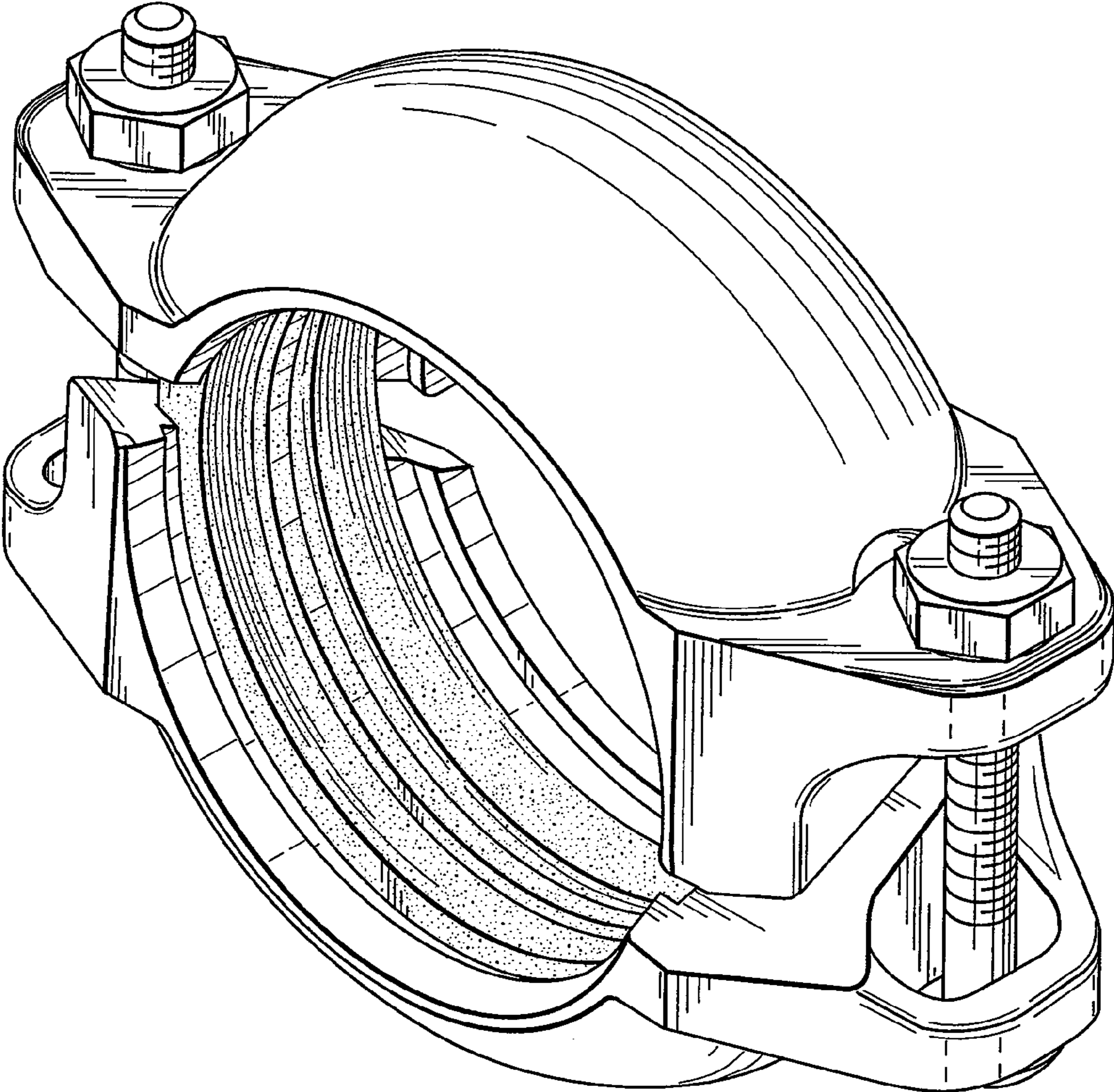
FIG. 3 is a side view of the pipe coupling shown in FIG. 1, the opposite side view being identical thereto;

FIG. 4 is a top view of the pipe coupling shown in FIG. 1; and,

FIG. 5 is a bottom view of the pipe coupling shown in FIG. 1.

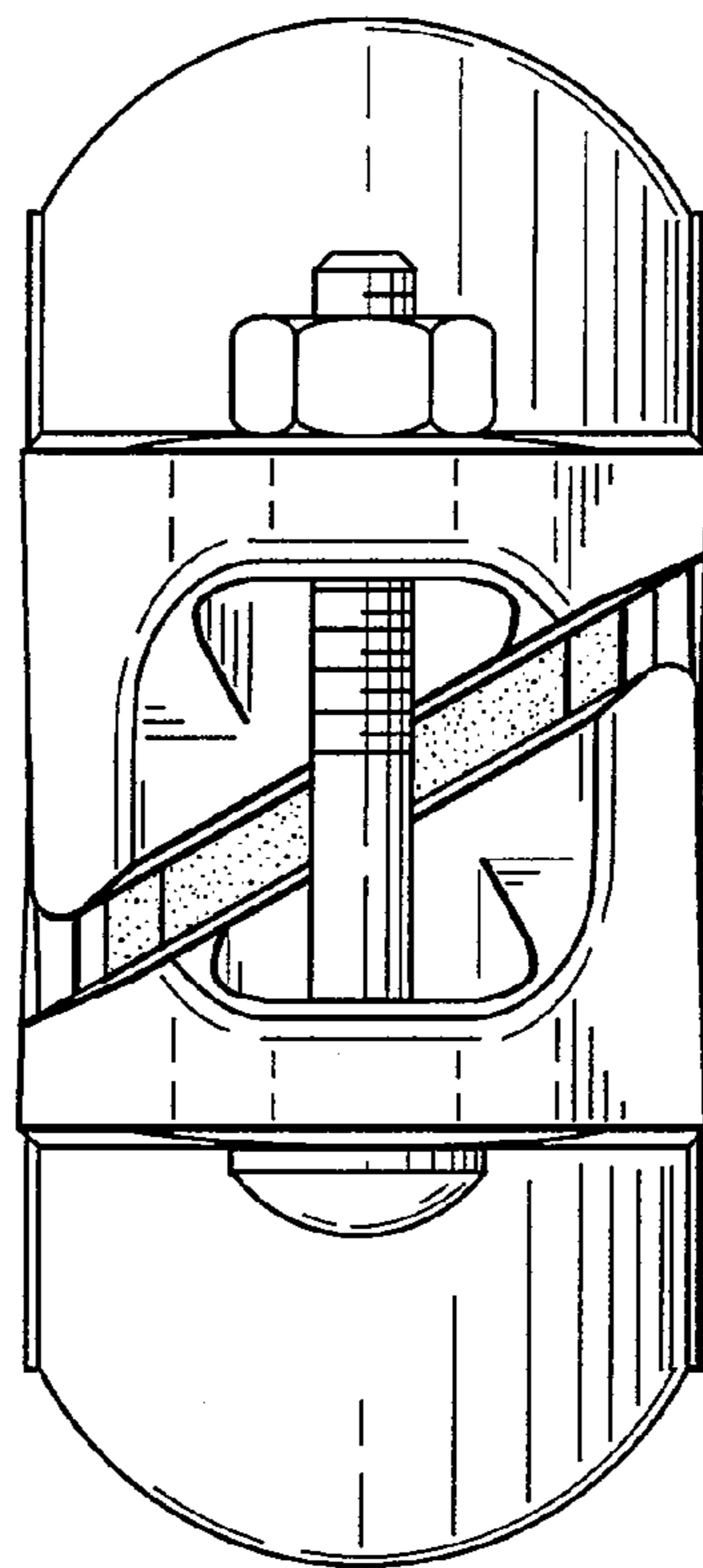
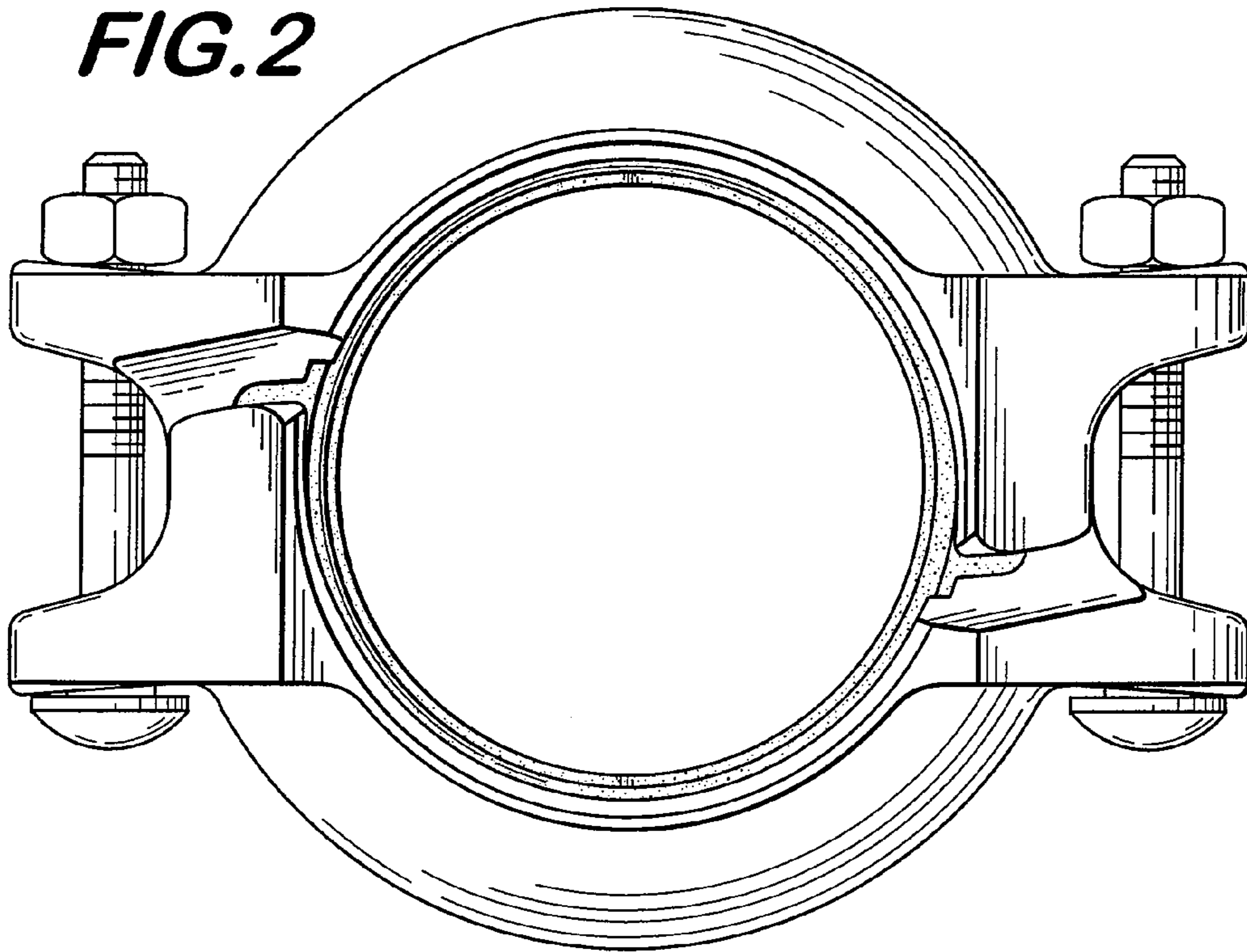
**1 Claim, 3 Drawing Sheets**





**FIG. 1**

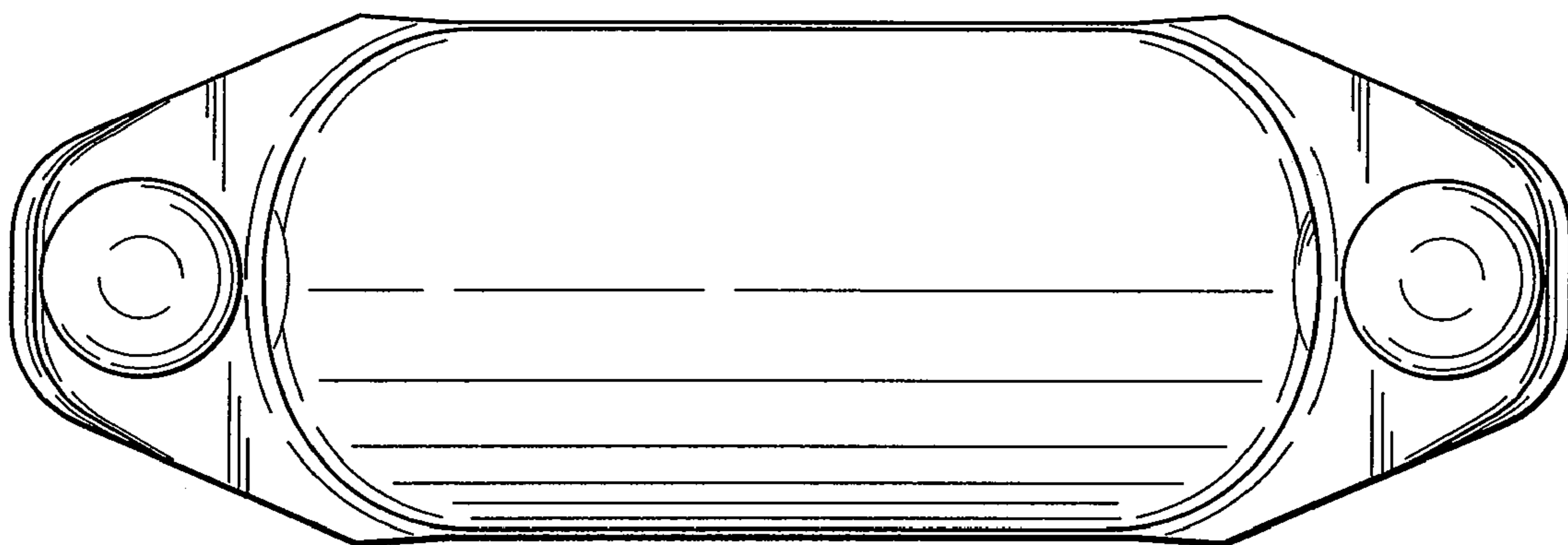
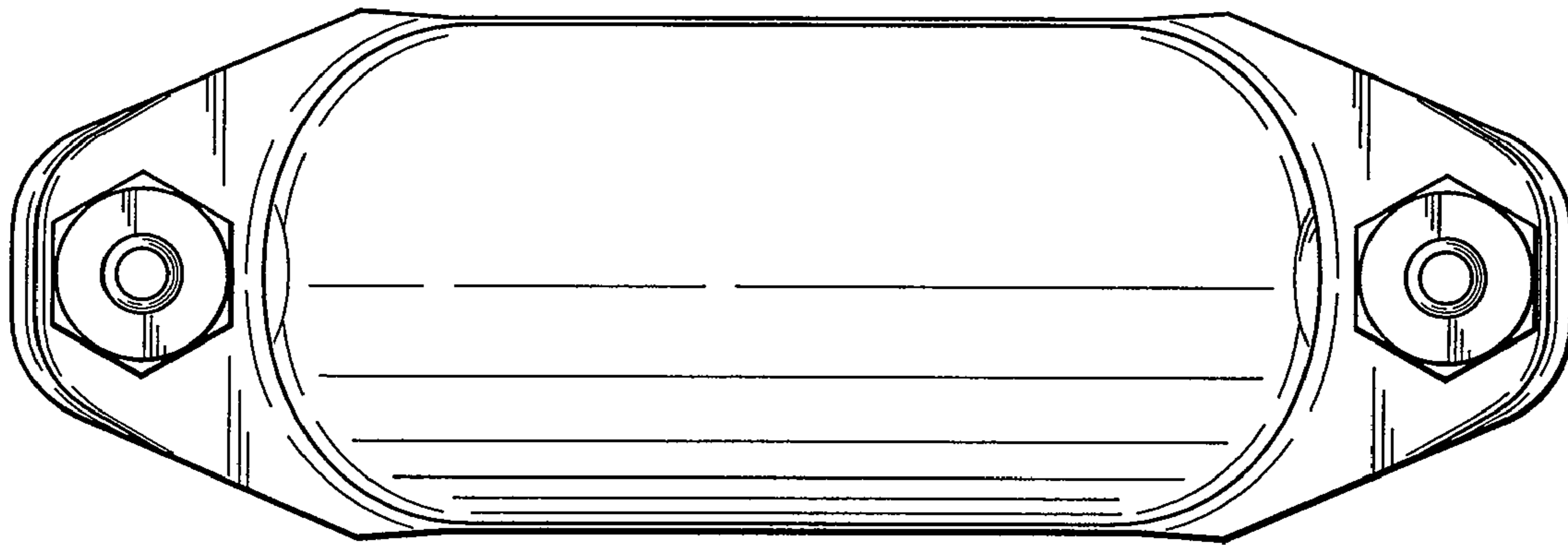
**FIG. 2**



**FIG. 3**



**FIG. 4**



**FIG. 5**