

US00D570457S

(12) **United States Design Patent**
Brown

(10) **Patent No.:** **US D570,457 S**

(45) **Date of Patent:** **** Jun. 3, 2008**

(54) **HOSE CONNECTOR**

(75) Inventor: **Dennis Brown**, Logan, UT (US)

(73) Assignee: **Aquamira Technologies, Inc.**, Logan, UT (US)

(**) Term: **14 Years**

(21) Appl. No.: **29/283,255**

(22) Filed: **Aug. 8, 2007**

(51) **LOC (8) Cl.** **23-01**

(52) **U.S. Cl.** **D23/262**

(58) **Field of Classification Search** D23/259-262;
285/34-35, 38, 148, 144.1, 145.2, 148.1,
285/272, 322

See application file for complete search history.

(56) **References Cited**

U.S. PATENT DOCUMENTS

5,284,369	A *	2/1994	Kitamura	285/322
D392,722	S *	3/1998	Kurz	D23/262
D396,730	S *	8/1998	Schaupp	D23/259
D406,881	S *	3/1999	Kuwabara	D23/262
D471,262	S *	3/2003	Kozu	D23/262
D517,667	S *	3/2006	Sener et al.	D23/262
D520,123	S *	5/2006	Kitagawa	D23/262

D522,109 S * 5/2006 White et al. D23/262

* cited by examiner

Primary Examiner—Louis S. Zarfes

Assistant Examiner—Eric L. Goodman

(74) *Attorney, Agent, or Firm*—Holme Roberts & Owen LLP

(57) **CLAIM**

The ornamental design for a hose connector, as shown and described.

DESCRIPTION

FIG. 1 is a rear perspective view of the hose connector of the design.

FIG. 2 is a front perspective view thereof.

FIG. 3 is a top side view thereof.

FIG. 4 is a left side view thereof..

FIG. 5 is a bottom side view thereof.

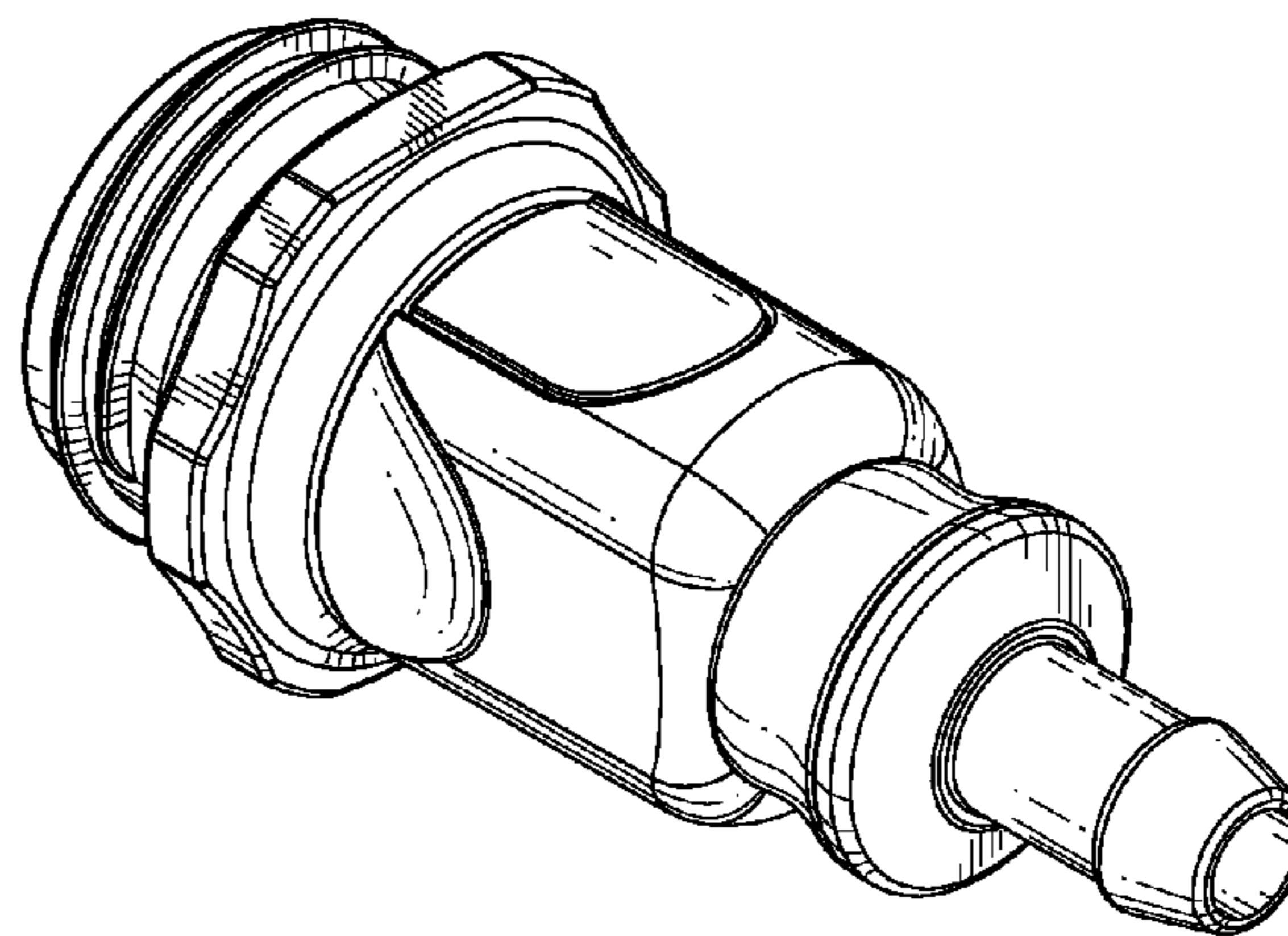
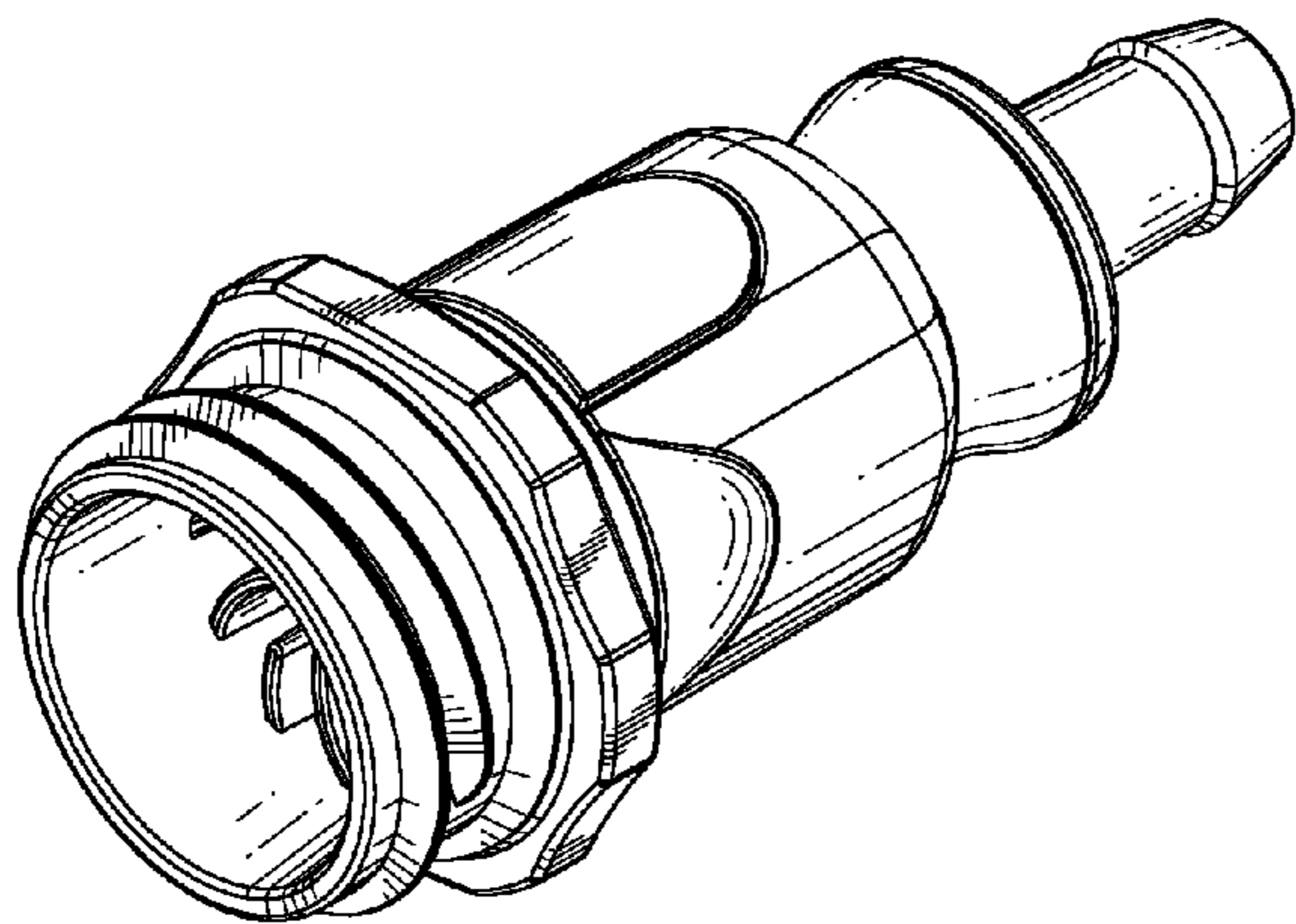
FIG. 6 is a rear side view thereof.

FIG. 7 is a front side view thereof.

FIG. 8 is an exploded rear perspective view thereof; and,

FIG. 9 is an exploded front perspective view thereof.

1 Claim, 4 Drawing Sheets



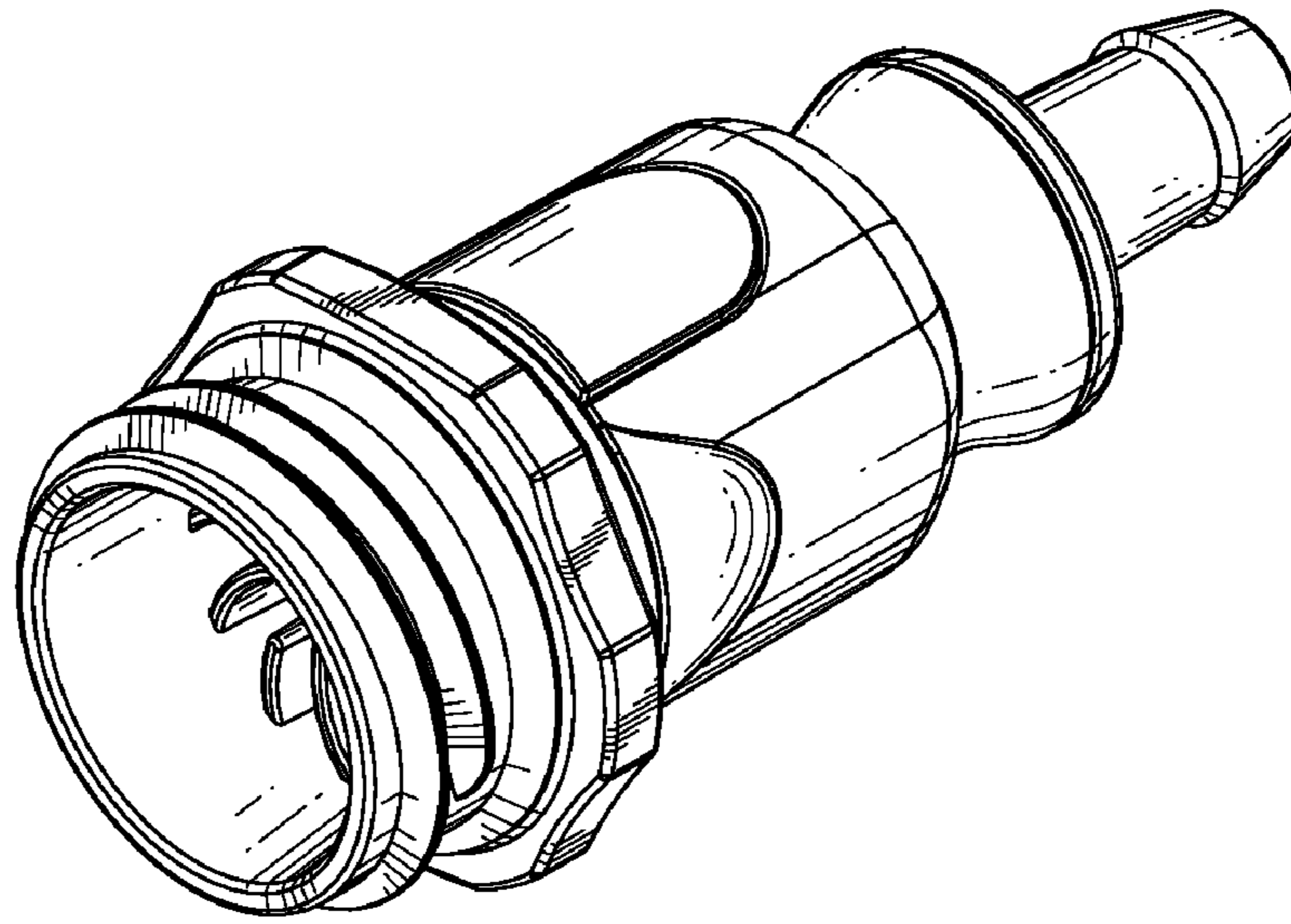


FIG. 1

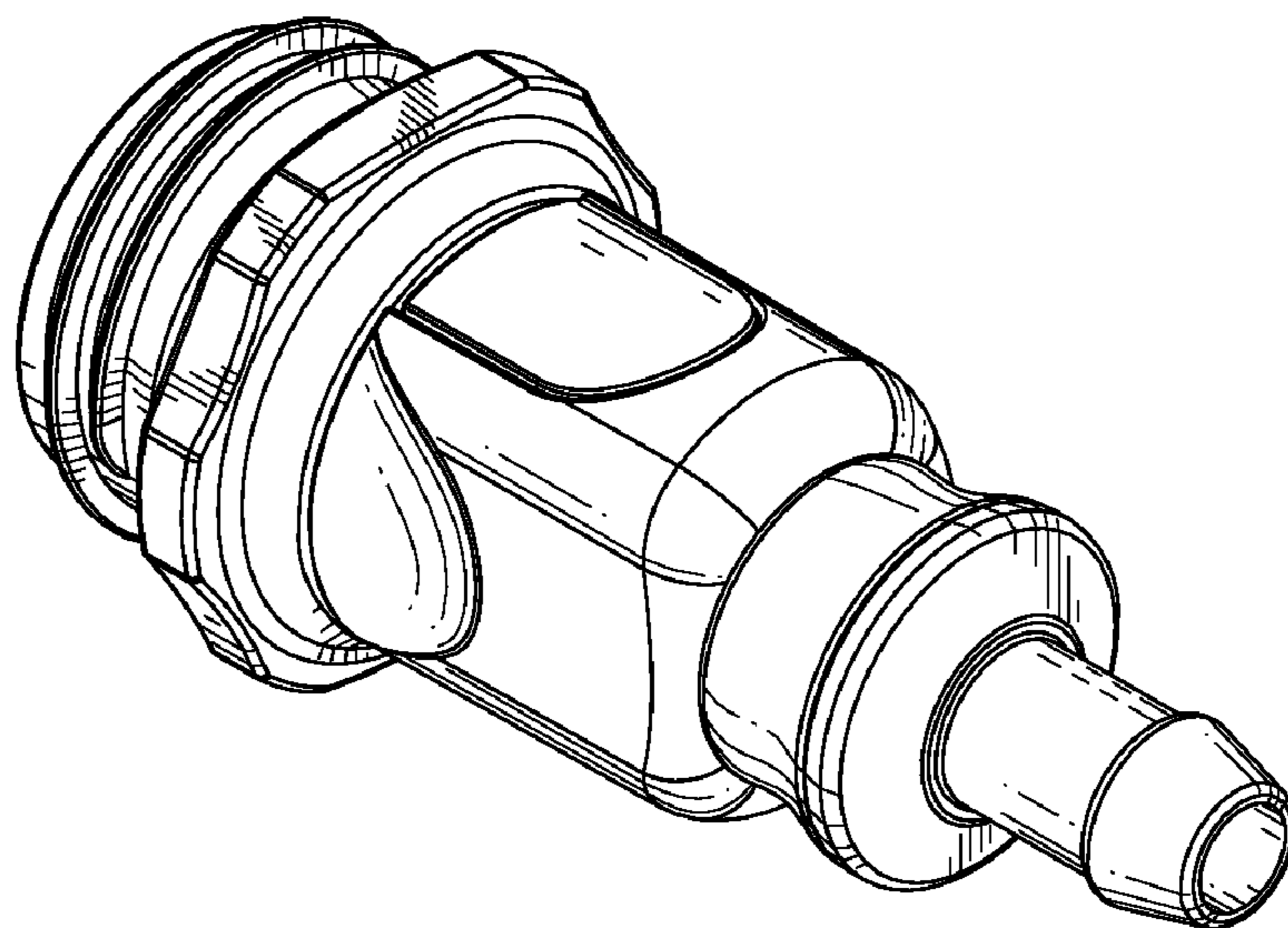


FIG. 2

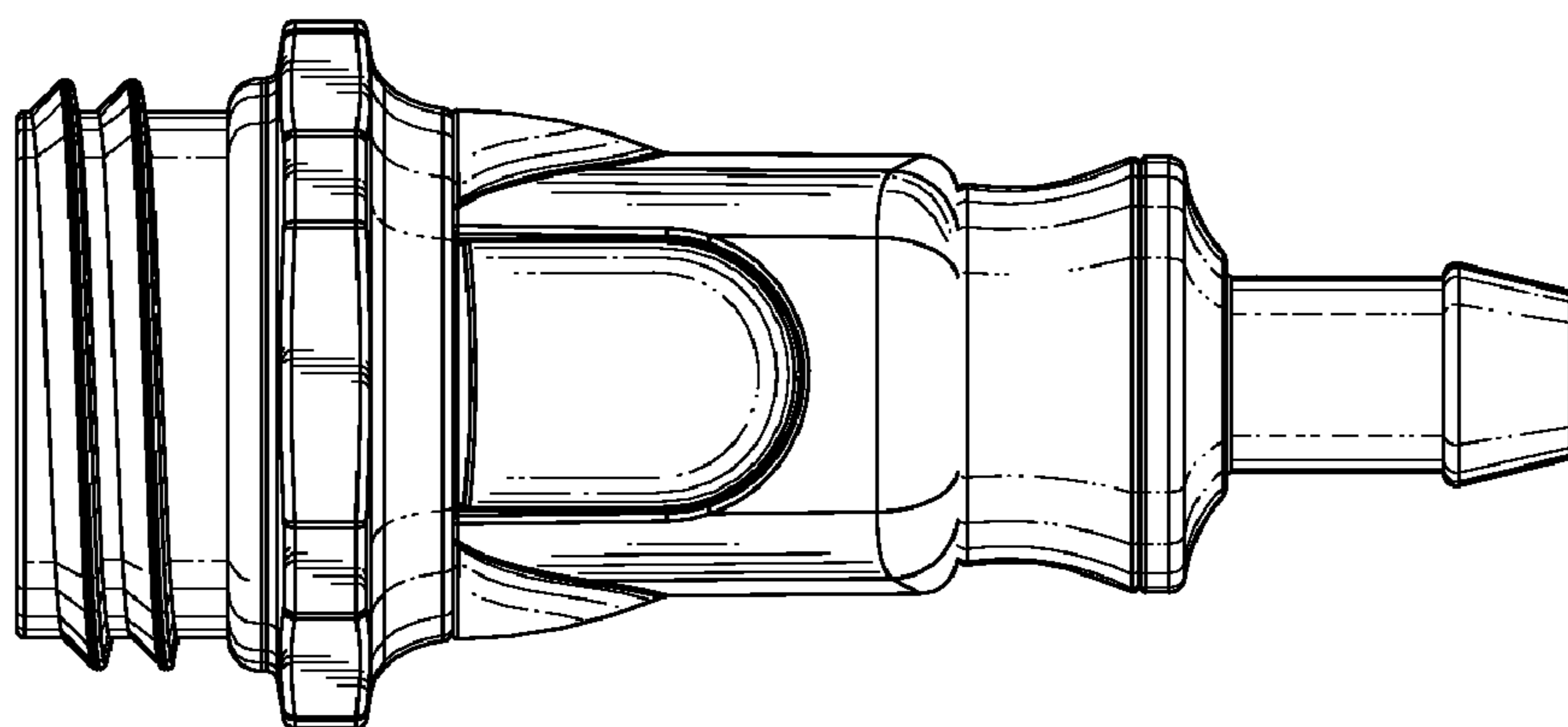


FIG. 3

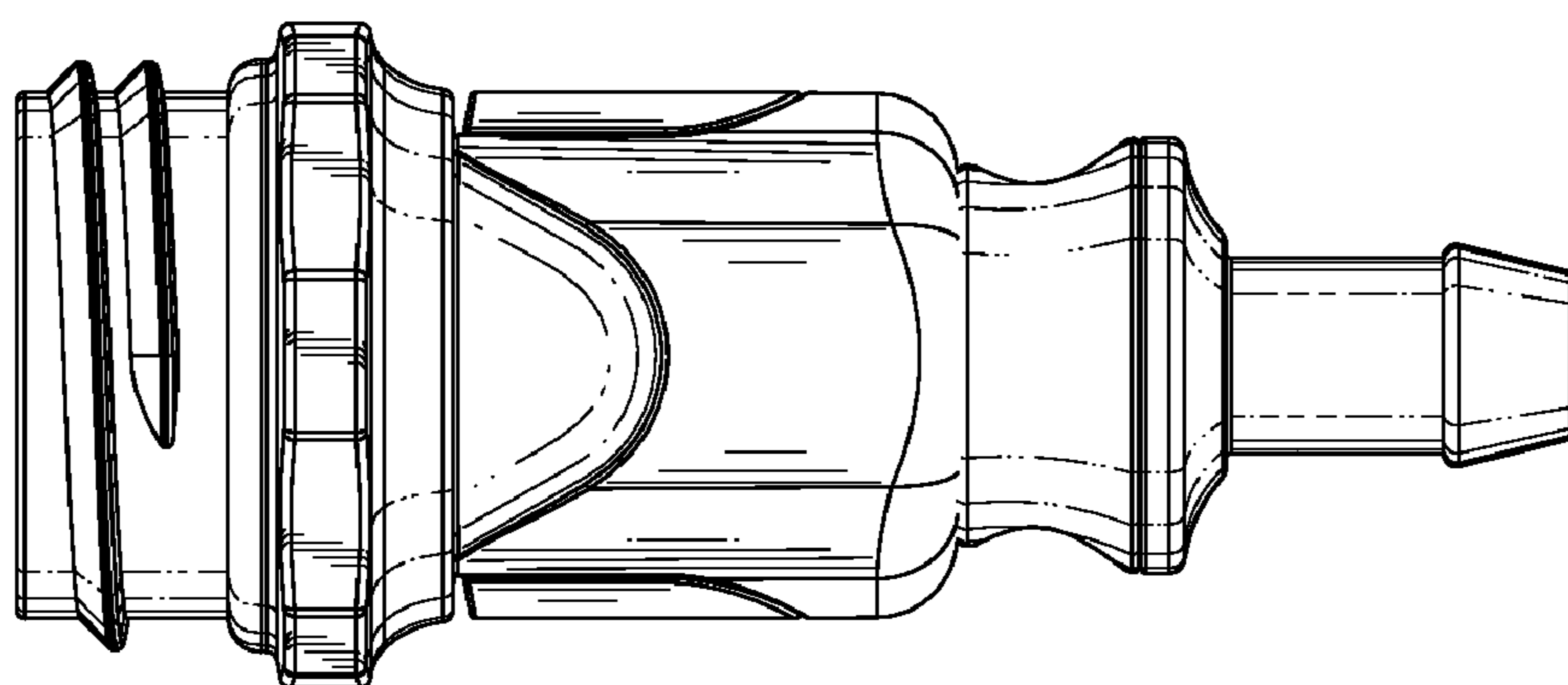


FIG. 4

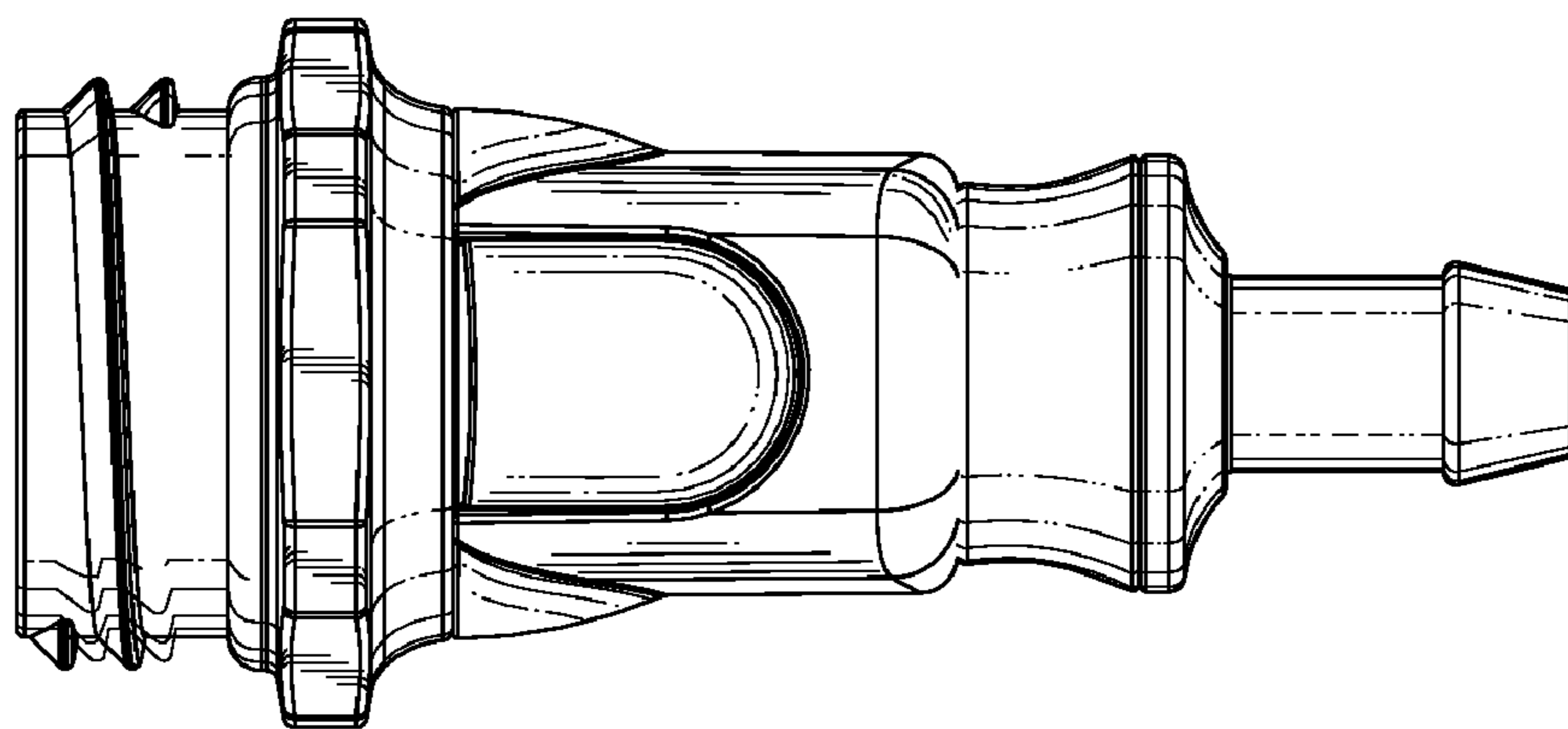


FIG. 5

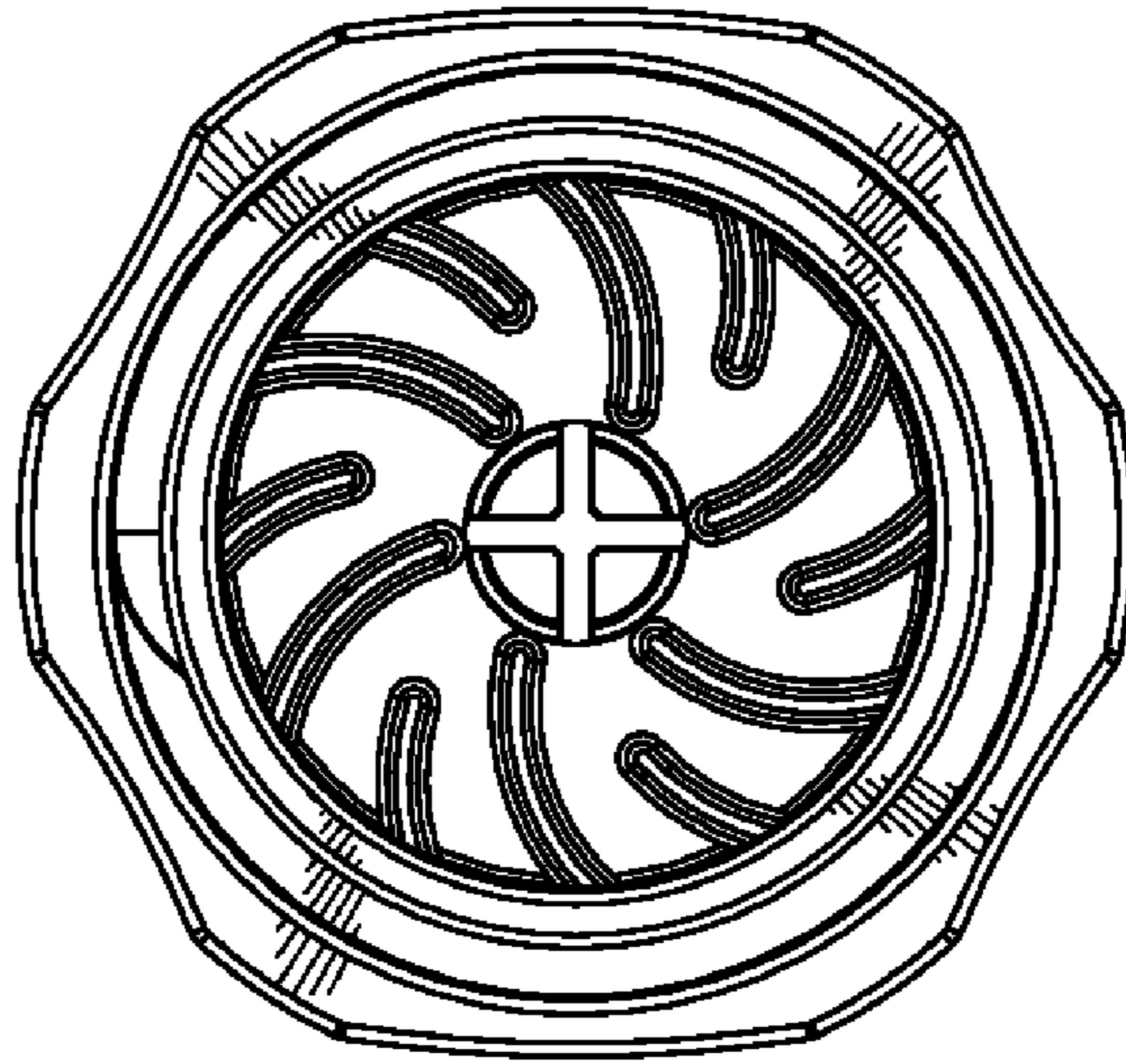


FIG. 6

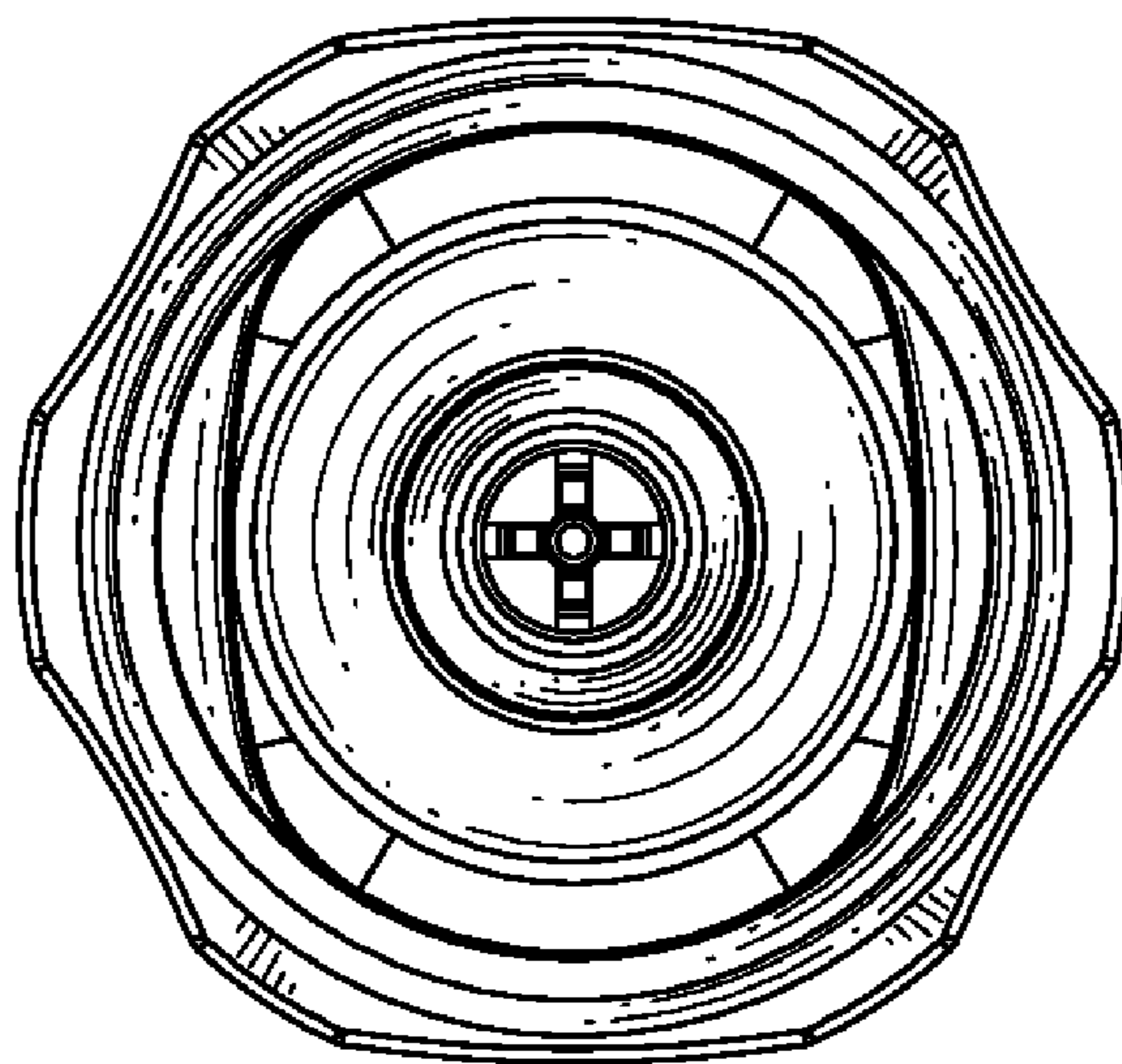


FIG. 7

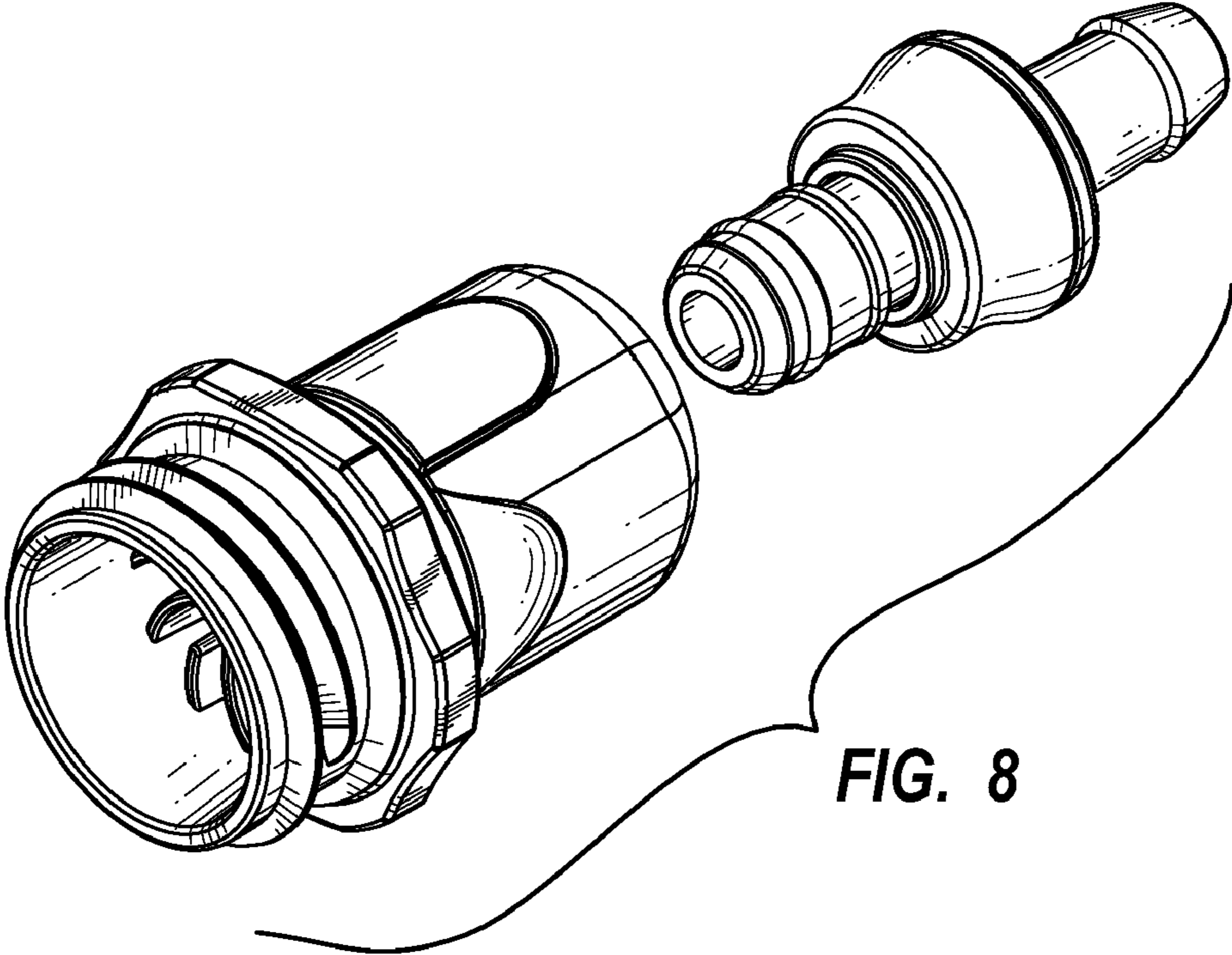


FIG. 8

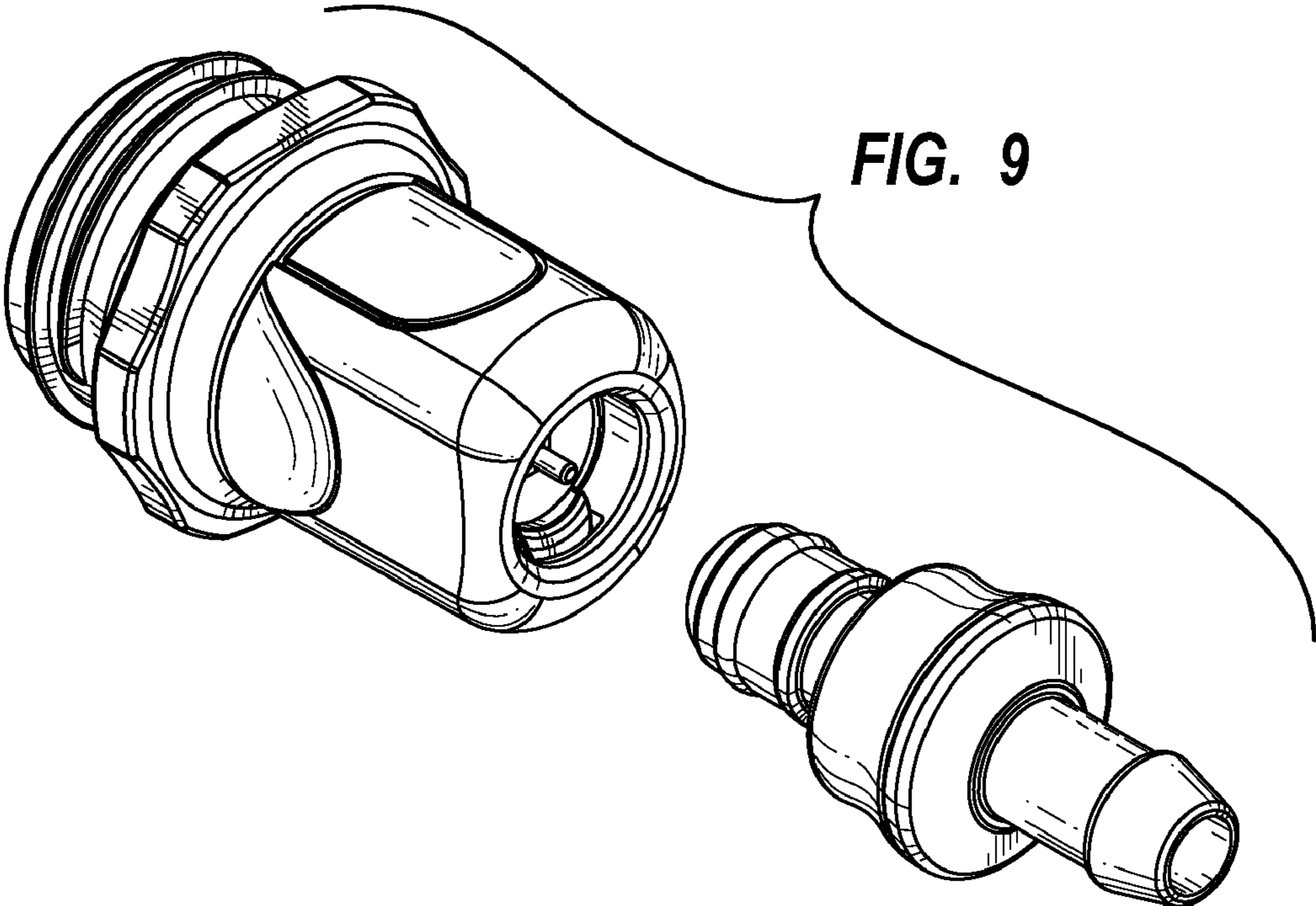


FIG. 9