

US00D570455S

(12) **United States Design Patent**
Dolan

(10) **Patent No.:** **US D570,455 S**
(45) **Date of Patent:** **** Jun. 3, 2008**

(54) **FAUCET HANDLE HUB**

(76) **Inventor:** **Patrick S. Dolan**, 2700 NW. Front Ave., Portland, OR (US) 97210

(**) **Term:** **14 Years**

(21) **Appl. No.:** **29/270,975**

(22) **Filed:** **Jan. 5, 2007**

(51) **LOC (8) Cl.** **23-02**

(52) **U.S. Cl.** **D23/250**

(58) **Field of Classification Search** D23/250-257,
D23/238-243, 244-249; 4/675-678; D8/300,
D8/307-308, 310-312, 321; D6/550; 137/801;
16/110.1, 441

See application file for complete search history.

(56) **References Cited**

U.S. PATENT DOCUMENTS

- D76,904 S * 11/1928 Smith D23/254
- D468,405 S 1/2003 McKeone
- D476,064 S 6/2003 Smith

OTHER PUBLICATIONS

Co-pending Application Internal Reference No. PD1229C, Patrick S. Dolan, filed on Jan. 5, 2007.

THG Paris, Model: 151, as seen on Website: www.homeportfolio.com, Oct. 27, 2006.

Hamat, Model: 280222/1, as seen on website: www.faucetdirect.com, Oct. 20, 2006.

MICO, Model: 3200-01-DN, as on website: www.luxuryplumbingplus.com, Dec. 25, 2006.

* cited by examiner

Primary Examiner—Robert A Delehanty

(57) **CLAIM**

The ornamental design for a faucet handle hub, as shown and described.

DESCRIPTION

FIG. 1 is a perspective view of a faucet handle hub showing my new design;

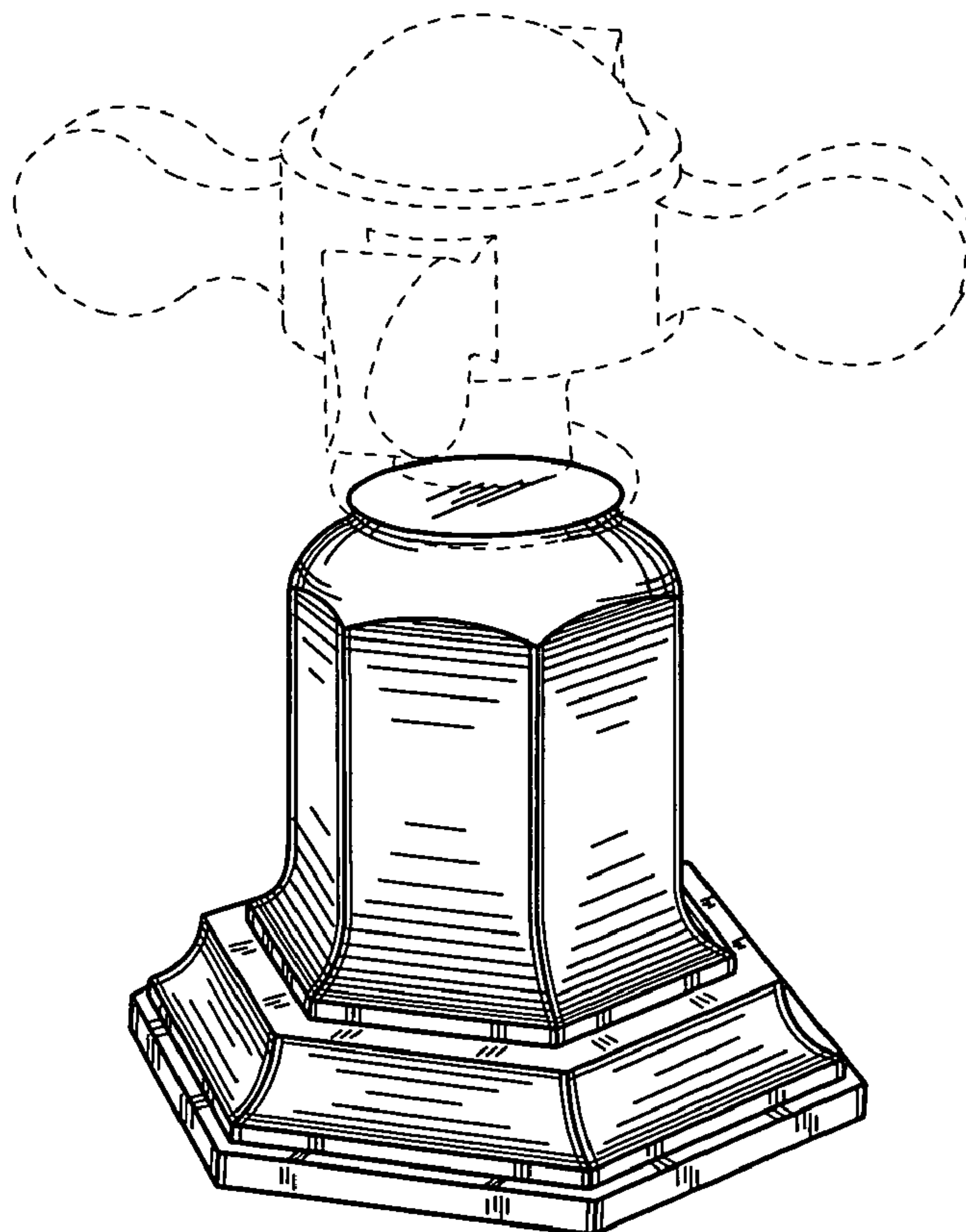
FIG. 2 is a front elevational view thereof;

FIG. 3 is a right side view, the left side view being a mirror image thereof; and,

FIG. 4 is a top plan view thereof.

The broken line showing of environmental structure is for illustrative purposes only and forms no part of the claimed design.

1 Claim, 4 Drawing Sheets



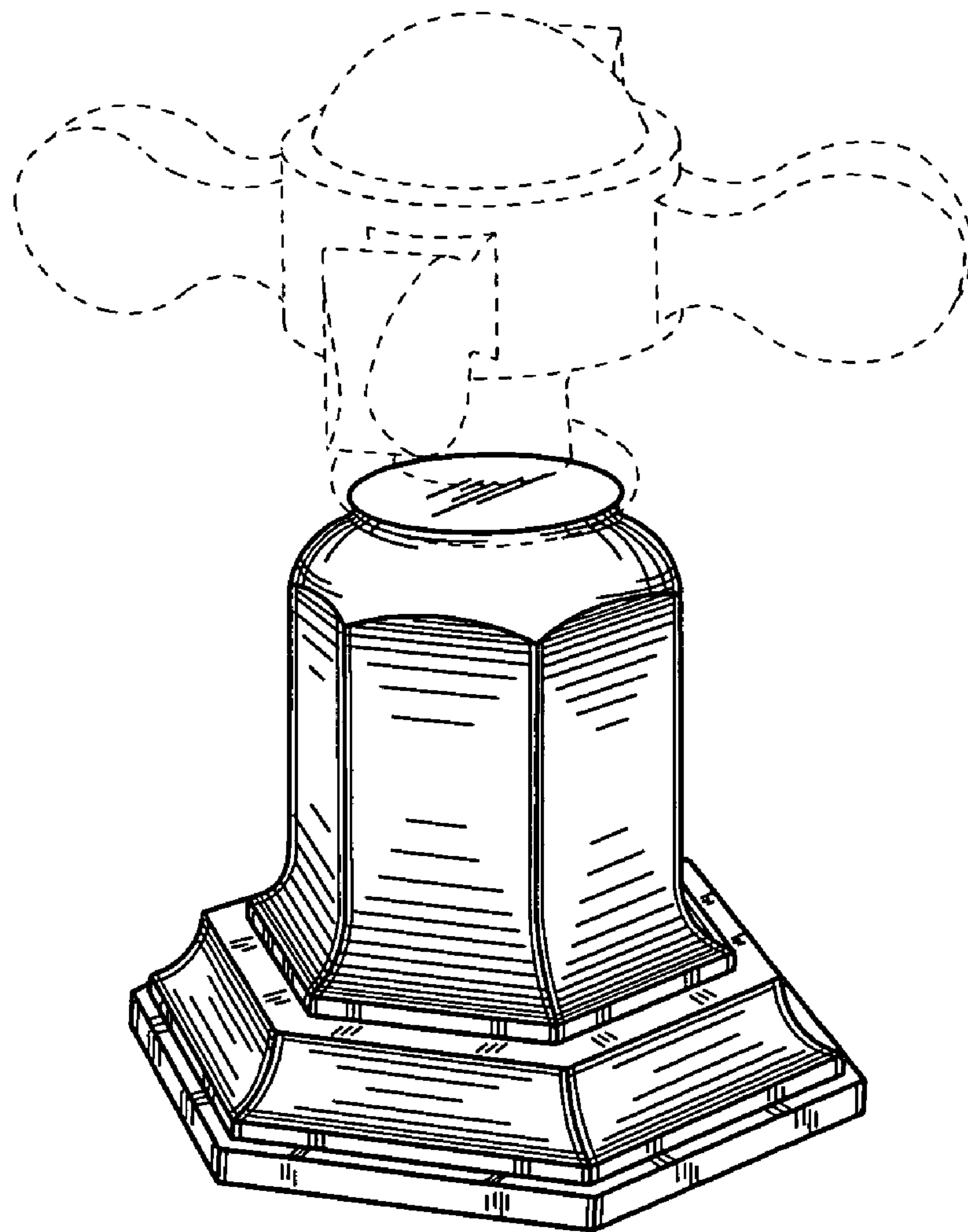


FIG. 1

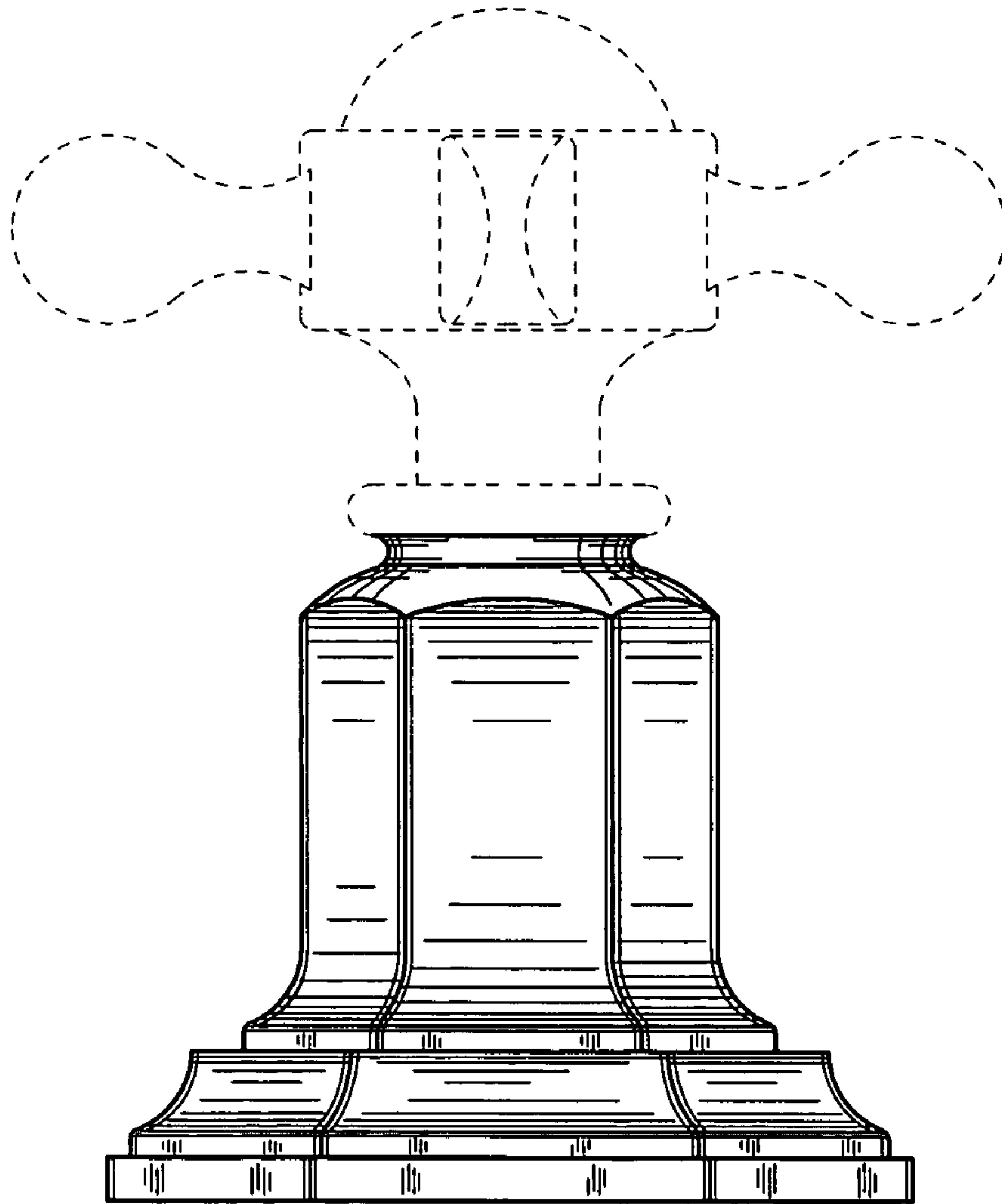


FIG. 2

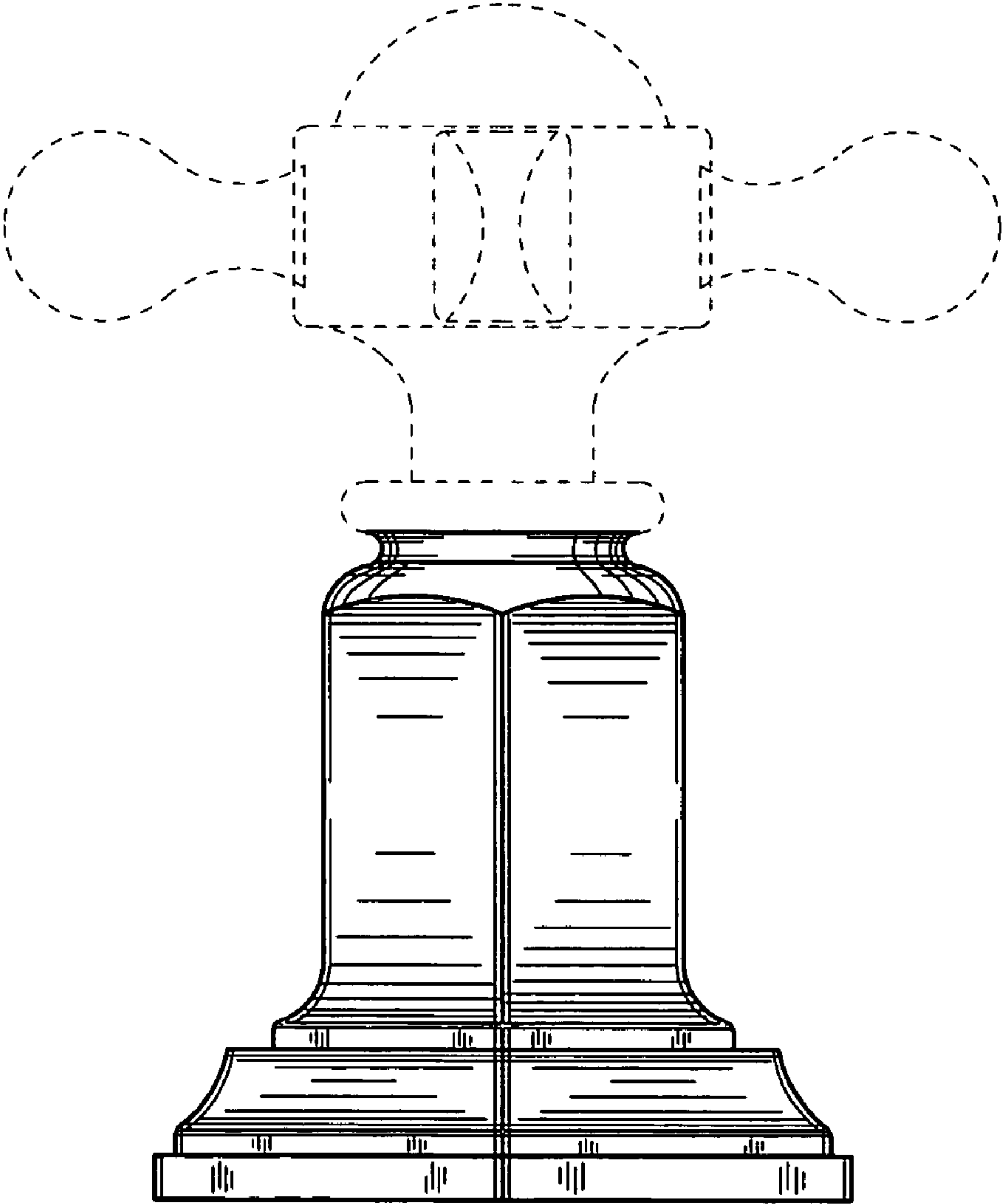


FIG. 3

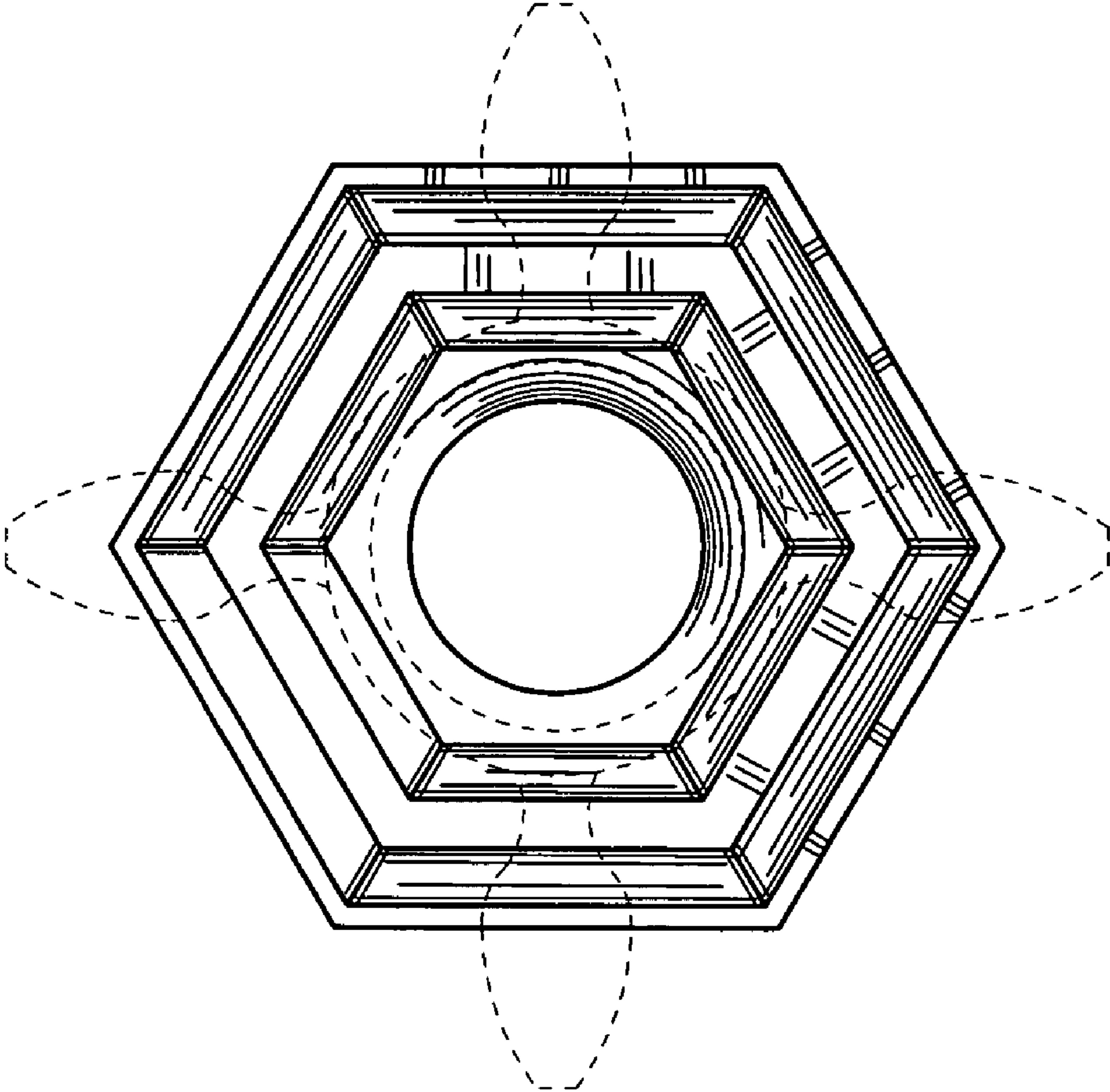


FIG. 4