

US00D570453S

(12) **United States Design Patent**  
**Tsai**

(10) **Patent No.:** **US D570,453 S**  
(45) **Date of Patent:** **\*\* Jun. 3, 2008**

(54) **DISPENSER**

(75) Inventor: **Hsin-I Ciny Tsai**, Sheboygan, WI (US)

(73) Assignee: **Kohler Co.**, Kohler, WI (US)

(\*\*) Term: **14 Years**

(21) Appl. No.: **29/279,690**

(22) Filed: **May 4, 2007**

(51) **LOC (8) Cl.** ..... **23-01**

(52) **U.S. Cl.** ..... **D23/249**

(58) **Field of Classification Search** ..... D23/250–257,  
D23/238–243, 244–249; 4/675–678; D8/300,  
D8/307–308, 310–312, 321; D6/550; 137/801;  
16/110.1, 441

See application file for complete search history.

(56) **References Cited**

**U.S. PATENT DOCUMENTS**

D495,032 S \* 8/2004 Dretzka ..... D23/238  
D530,791 S \* 10/2006 Kohler et al. .... D23/254

**OTHER PUBLICATIONS**

Kohler Co. “Soap/Lotion dispenser with contemporary design” Model No. K-1895-C. Kohler Co. online catalog. Copyright 2007 Kohler Co.  
Kohler Co. “Purist tall, single-control lavatory faucet” Model No. K-14404-4. Kohler Co. online catalog. Copyright 2007 Kohler Co.  
Kohler Co. “Pinstripe Pure widespread lavatory faucet” Model No. K-13132-4A. Kohler Co. online catalog. Copyright 2007 Kohler Co.

Kohler Co. “HiRise sidespray with valve” Model No. K-7344-4. Kohler Co. online catalog. Copyright 2007 Kohler Co.

\* cited by examiner

*Primary Examiner*—Robert A Delehanty  
(74) *Attorney, Agent, or Firm*—Quarles & Brady LLP

(57) **CLAIM**

The ornamental design for a dispenser, as shown and described.

**DESCRIPTION**

In a preferred embodiment, the nature of this product is as a dispenser for liquids, such as soaps and lotions, especially those used at kitchen and bathroom sinks.

FIG. 1 is a left, top, front perspective view of a dispenser embodying my new design;

FIG. 2 is a left side elevational view thereof, the right side elevational view being a mirror image of the left side shown;

FIG. 3 is a front elevational view thereof;

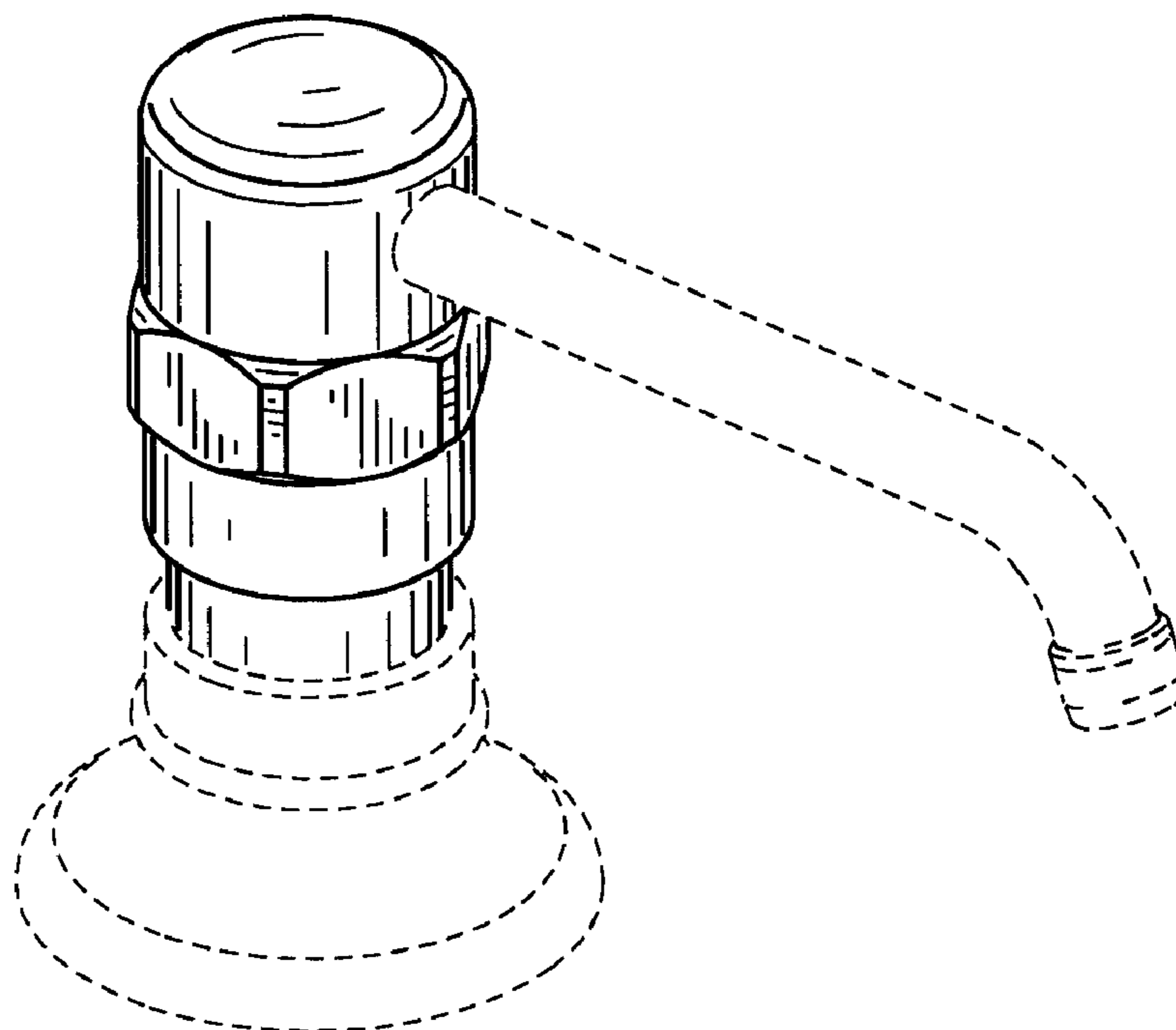
FIG. 4 is a rear elevational view thereof;

FIG. 5 is a top plan view thereof; and,

FIG. 6 is a bottom plan view thereof.

The broken line representations in the figures are for the purpose of illustration only, and form no part of the claimed design.

**1 Claim, 2 Drawing Sheets**



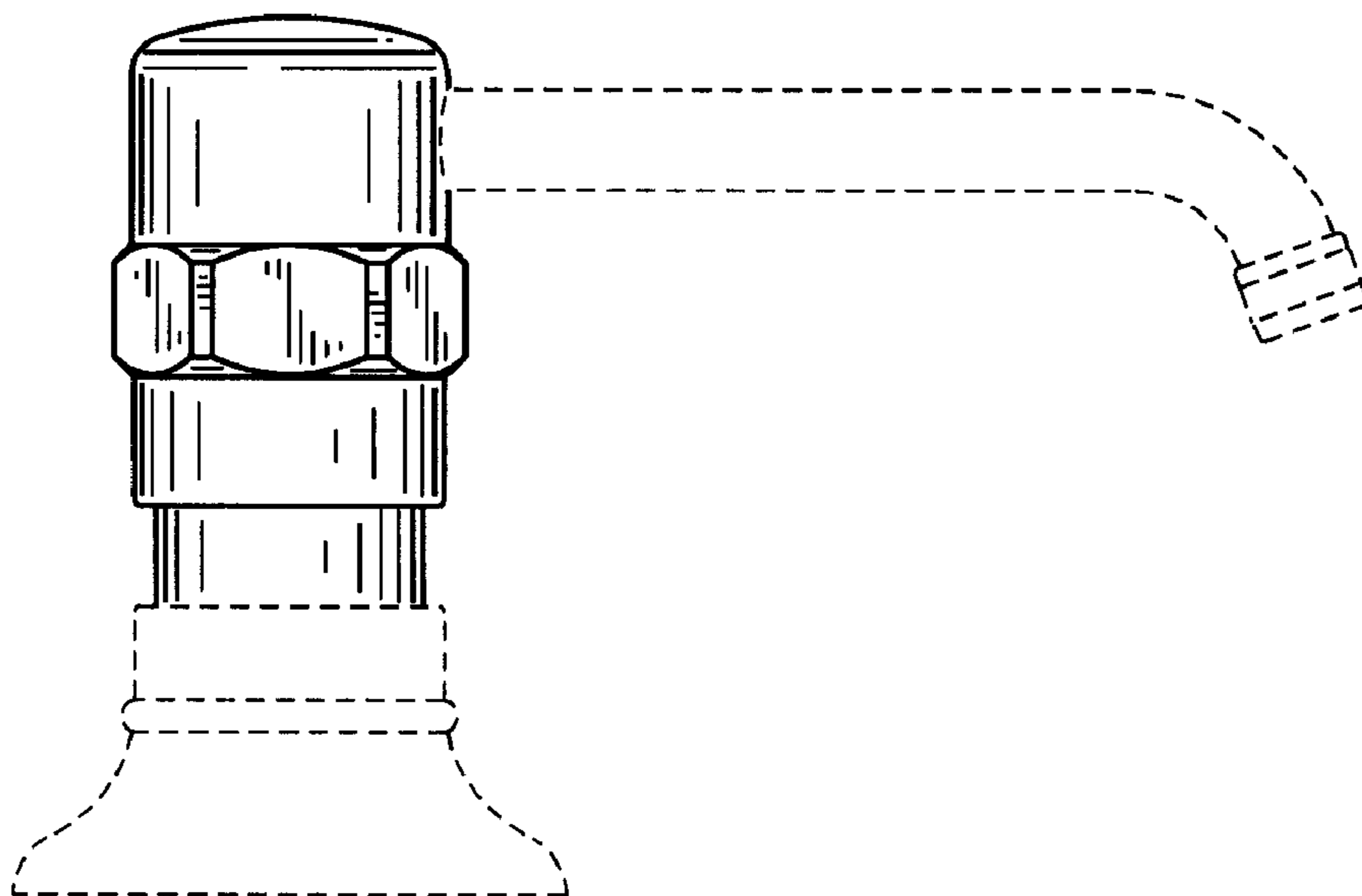
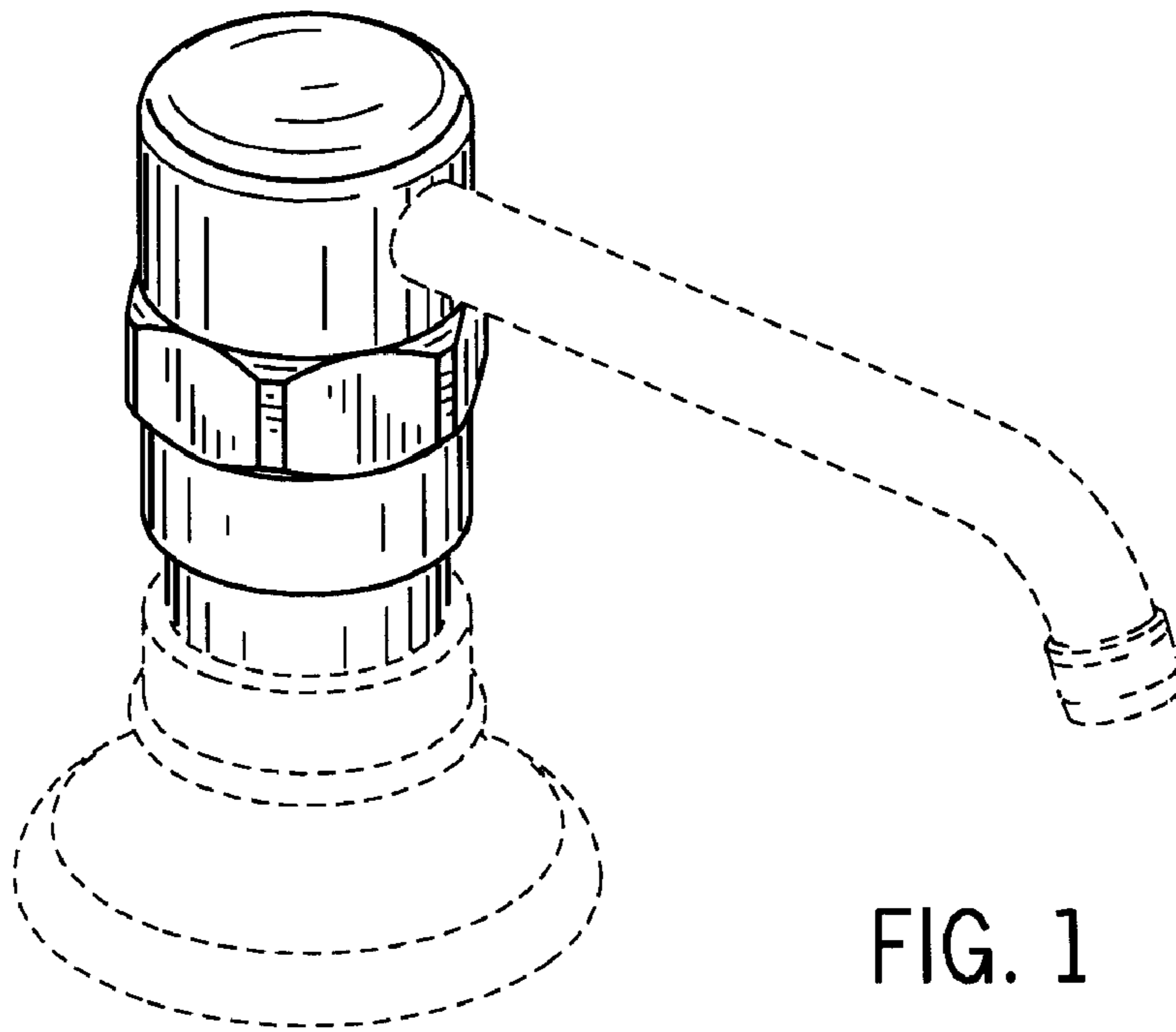


FIG. 3

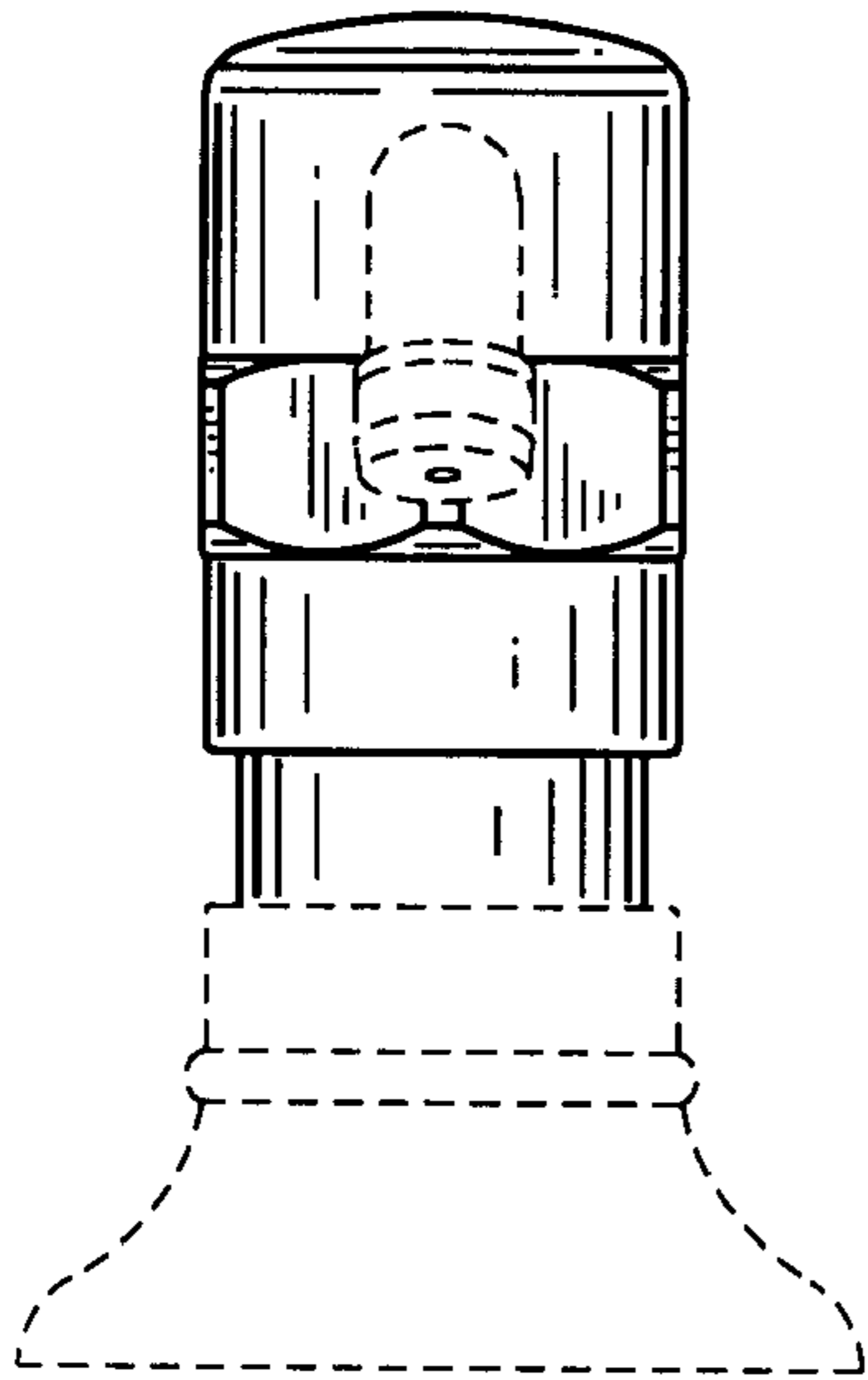


FIG. 4

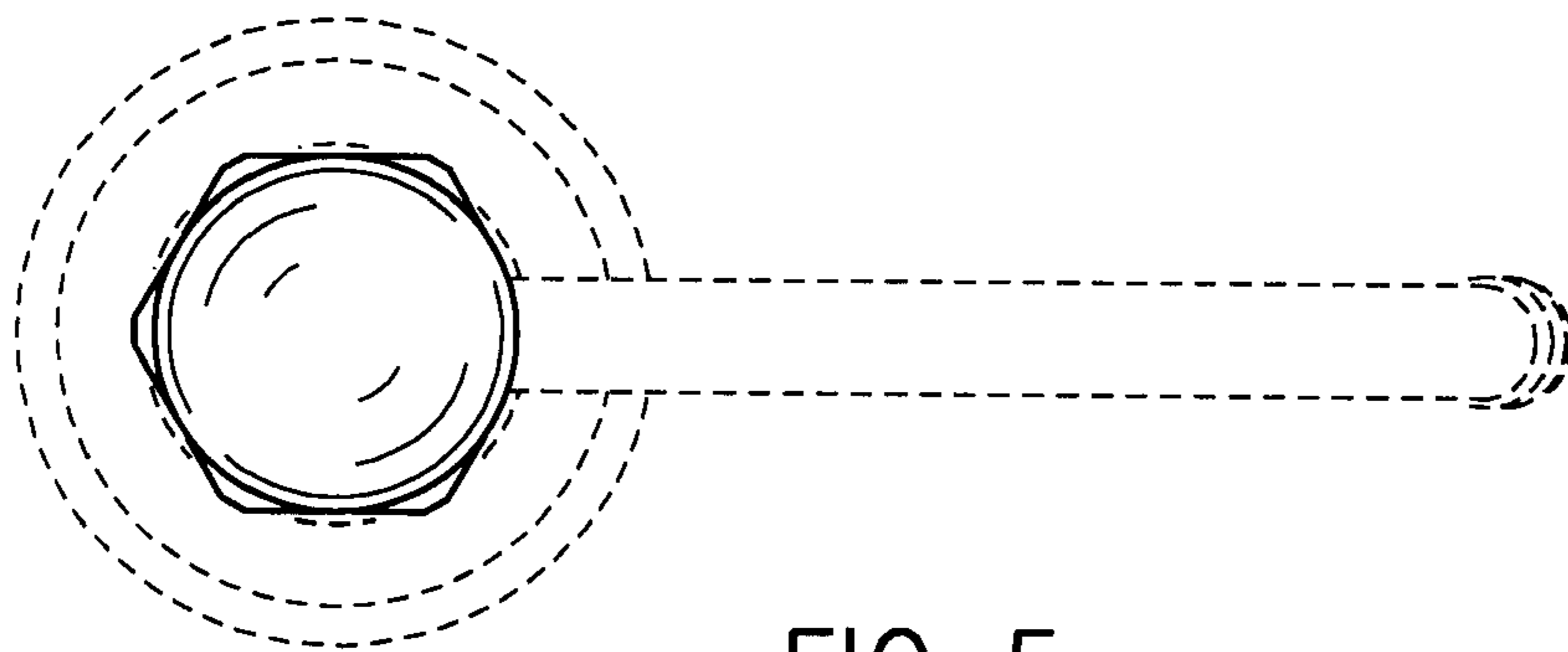
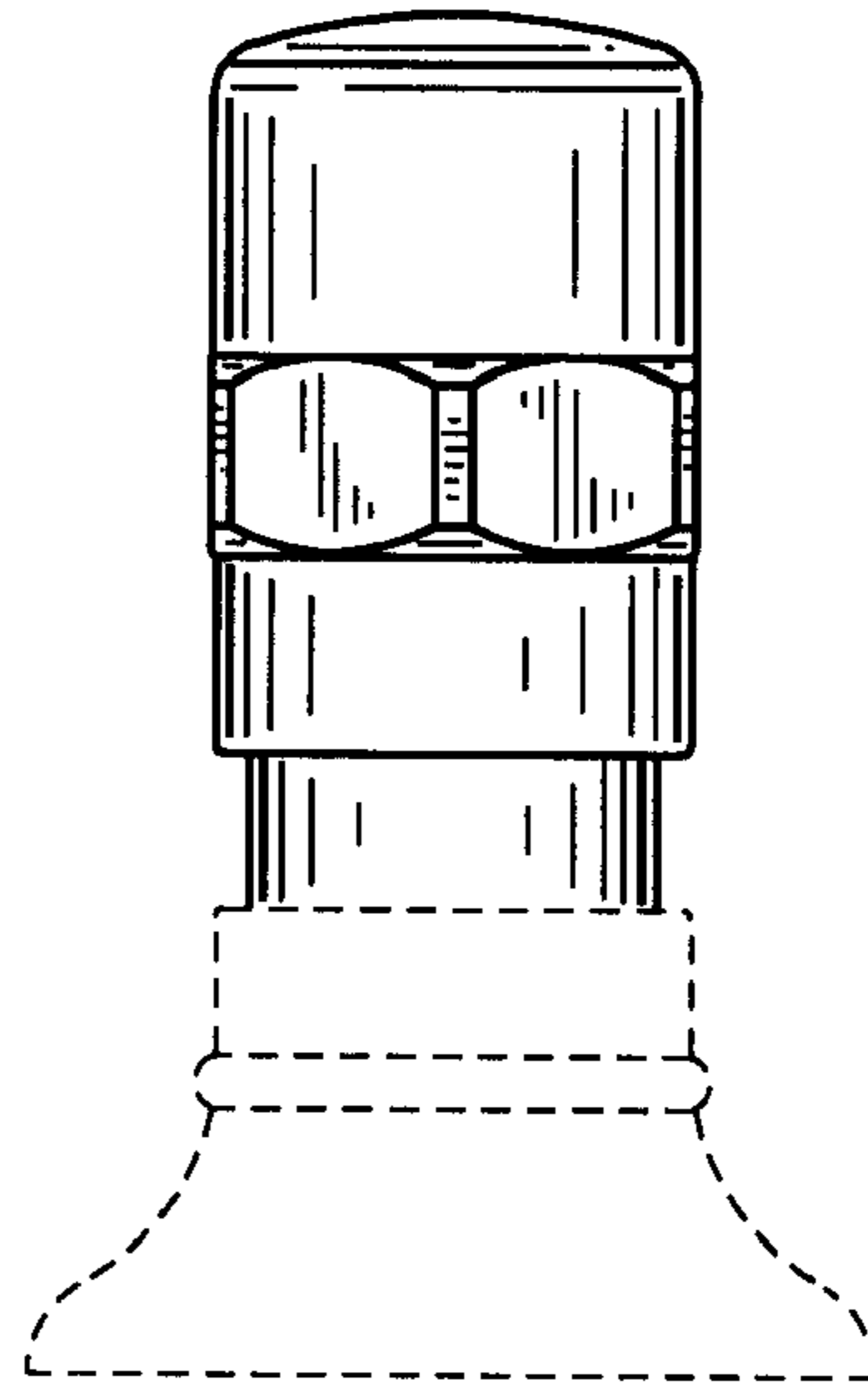


FIG. 5

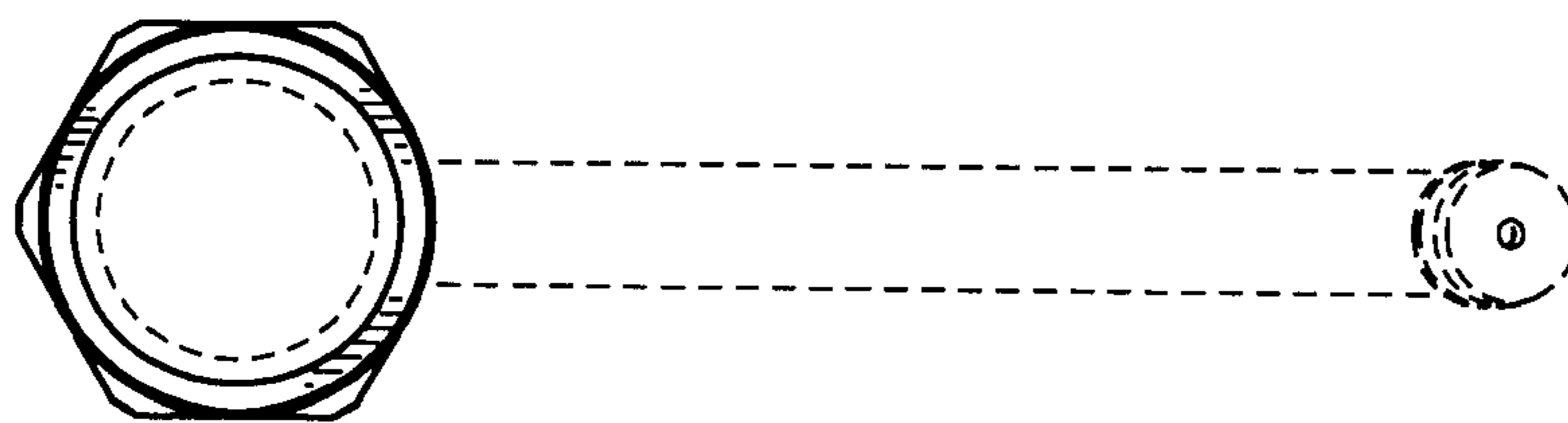


FIG. 6