



US00D570452S

(12) **United States Design Patent**
Tsai

(10) **Patent No.:** **US D570,452 S**
(45) **Date of Patent:** **** Jun. 3, 2008**

(54) **PLUMBING FITTING**

(75) Inventor: **Hsin-I Ciny Tsai**, Sheboygan, WI (US)

(73) Assignee: **Kohler Co.**, Kohler, WI (US)

(**) Term: **14 Years**

(21) Appl. No.: **29/252,726**

(22) Filed: **Jan. 26, 2006**

(51) **LOC (8) Cl.** **23-01**

(52) **U.S. Cl.** **D23/249**

(58) **Field of Classification Search** D23/283,
D23/238, 241, 242, 243–249, 250.254; D8/300,
D8/301, 303, 304, 305–308, 322, DIG. 3,
D8/350–353; 16/110.1; 4/675–678; D25/112,
D25/113, 118, 138, 140, 156
See application file for complete search history.

(56) **References Cited**

U.S. PATENT DOCUMENTS

D173,629 S	*	12/1954	Schlage	D8/353
D202,043 S	*	8/1965	Cox	D8/353
D208,205 S	*	8/1967	Levinger	D8/350
D209,142 S	*	11/1967	Carlson	D8/353
D283,221 S	*	4/1986	West	D13/156
D306,336 S		2/1990	Oberdörfer		
D306,337 S		2/1990	Oberdörfer		
D366,519 S		1/1996	Lobermeier		
D371,432 S	*	7/1996	Lobermeier	D23/303
D416,609 S		11/1999	Mullenmeister		
D461,535 S		8/2002	Antoniello et al.		
D523,733 S	*	6/2006	Atkinson	D8/353
D534,250 S	*	12/2006	Barry	D23/254
D536,237 S	*	2/2007	Smith	D8/353

OTHER PUBLICATIONS

Jacob Delafon; page from website.

Kohler Company; “The Bold Look of Kohler” catalog; “Forte Lavatory”; dated 2004; p. 4.49; Kohler, Wisconsin.

Kohler Company; “Thermostatic Volume Control”.

Villeroy & Boch; “Collection Square vogue”; page from website.

* cited by examiner

Primary Examiner—Ian Simmons

Assistant Examiner—Carissa C Fitts

(74) *Attorney, Agent, or Firm*—Quarles & Brady LLP

(57) **CLAIM**

The ornamental design for a plumbing fitting, as shown and described.

DESCRIPTION

In a preferred embodiment, the nature of this product is as a plumbing fitting in the form of a wall plate and handle bonnet escutcheon for a shower and bath control.

FIG. 1 is a left, top, front perspective view of a plumbing fitting according to my new design;

FIG. 2 is a front elevational view thereof;

FIG. 3 is a left side elevational view thereof, the right side elevational view thereof being a mirror image of the left side shown;

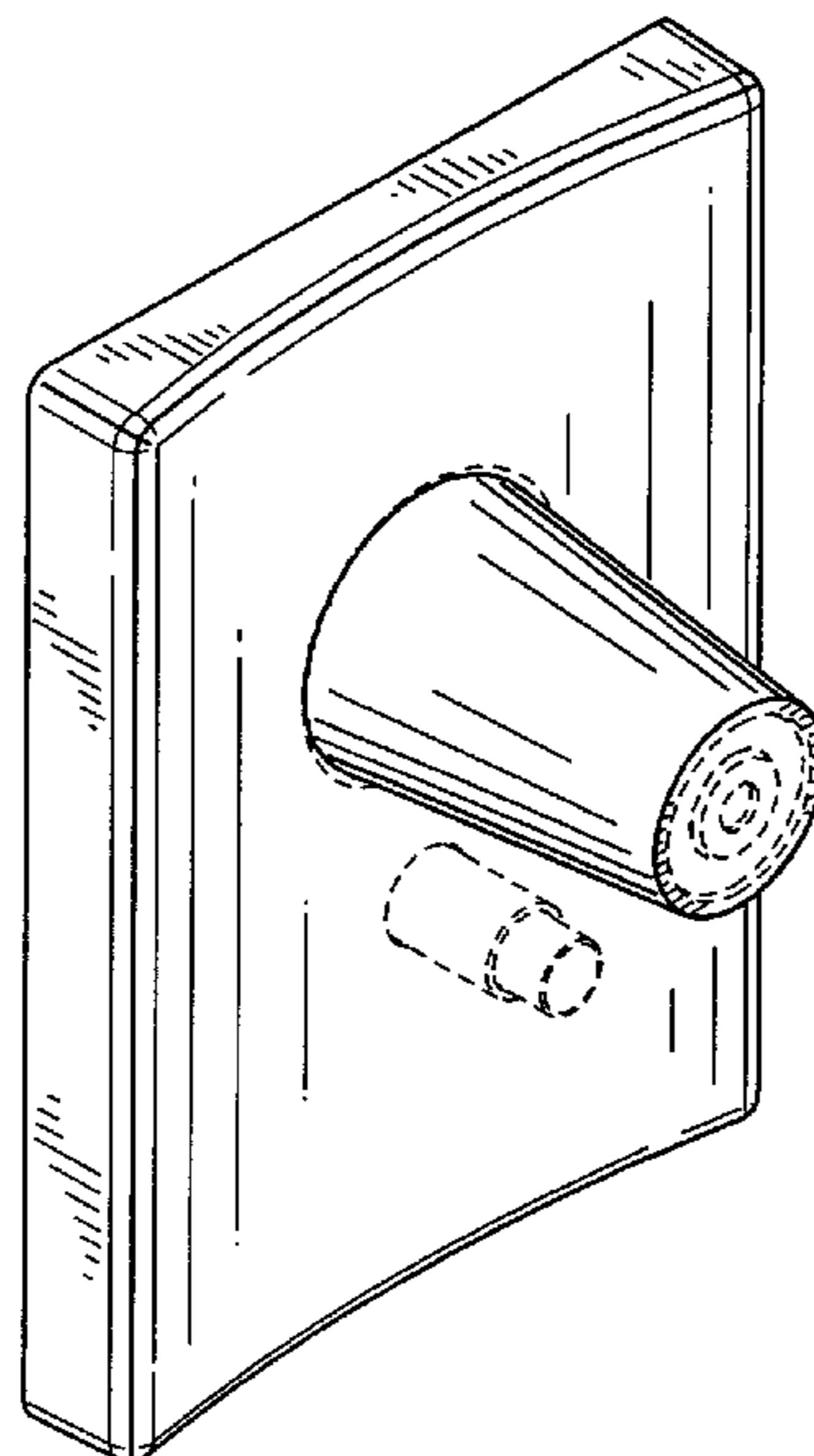
FIG. 4 is a top plan view thereof;

FIG. 5 is a bottom plan view thereof; and,

FIG. 6 is a rear elevational view thereof.

The broken line representations of openings and handle mounting structure in FIGS. 1–2 and 6, a control member in FIGS. 1–3 and 5 and rear wall structure in FIG. 6 are for the purpose of illustration only, and form no part of the claimed design.

1 Claim, 3 Drawing Sheets



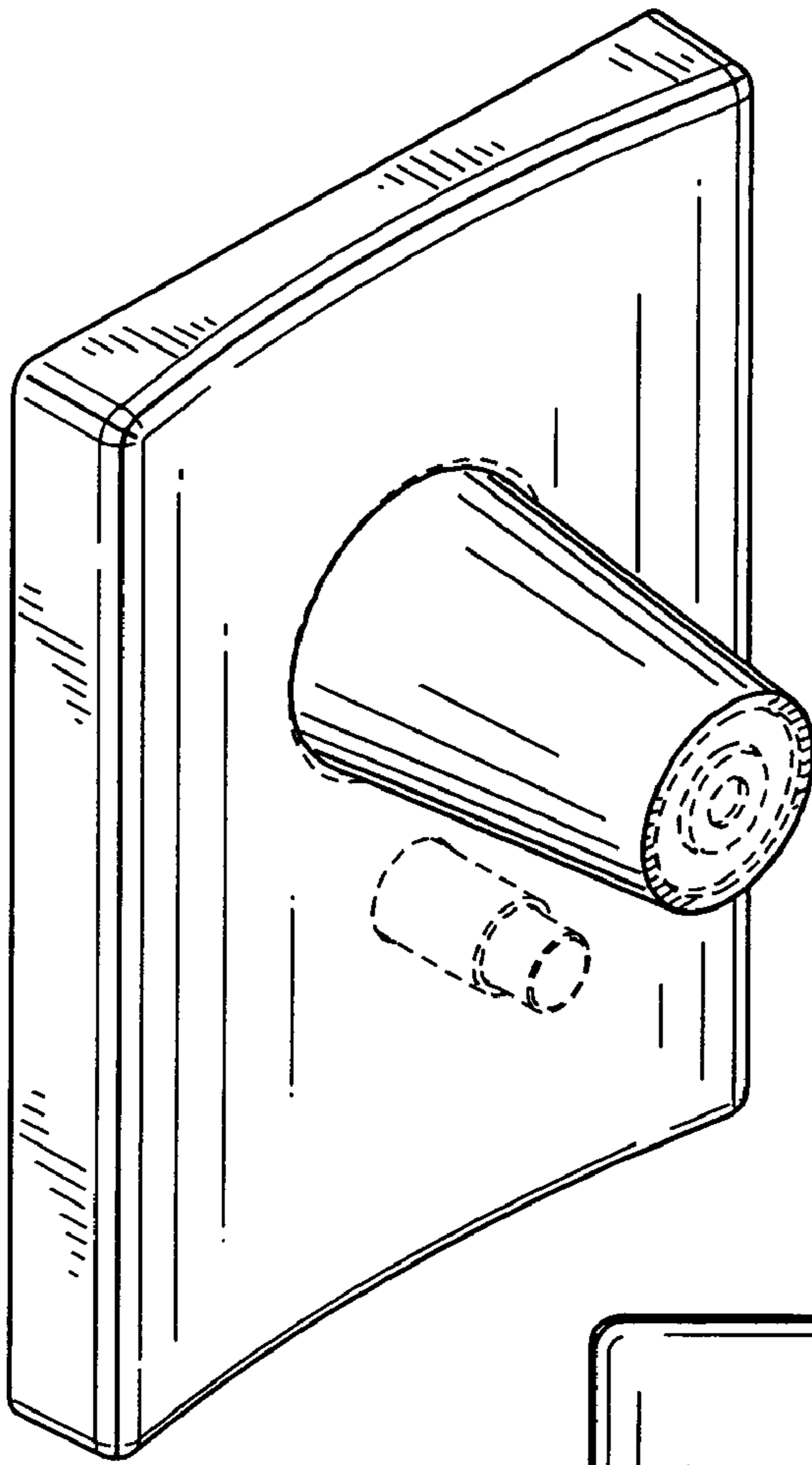


FIG. 1

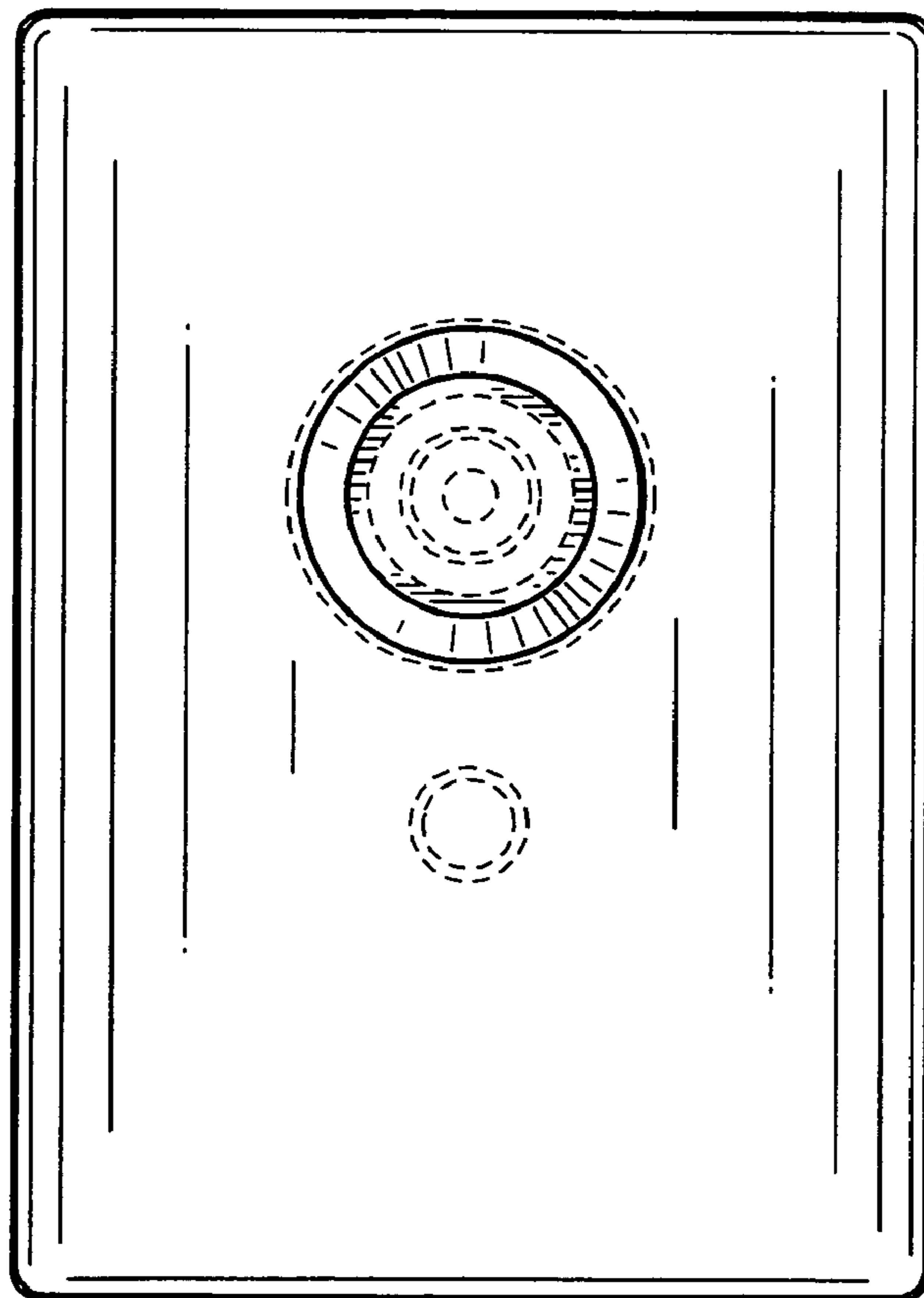
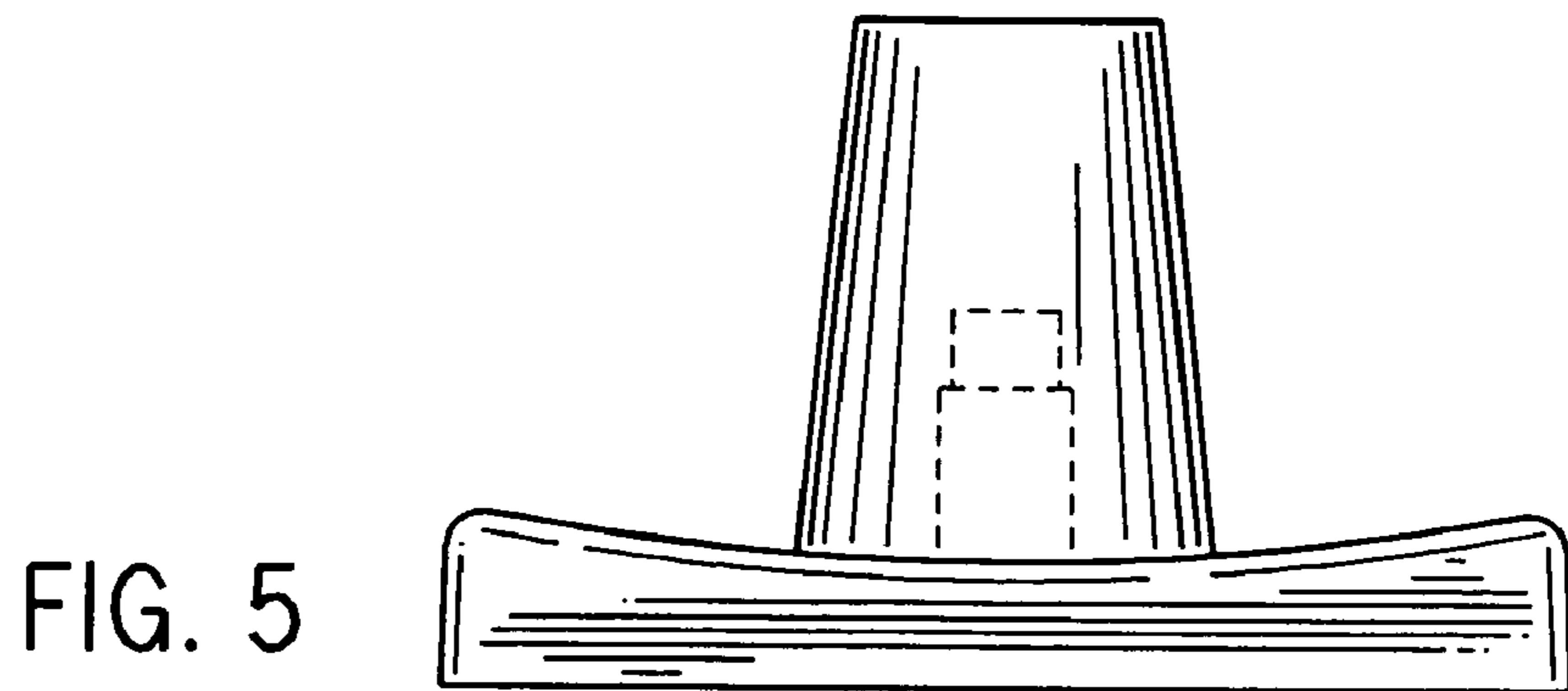
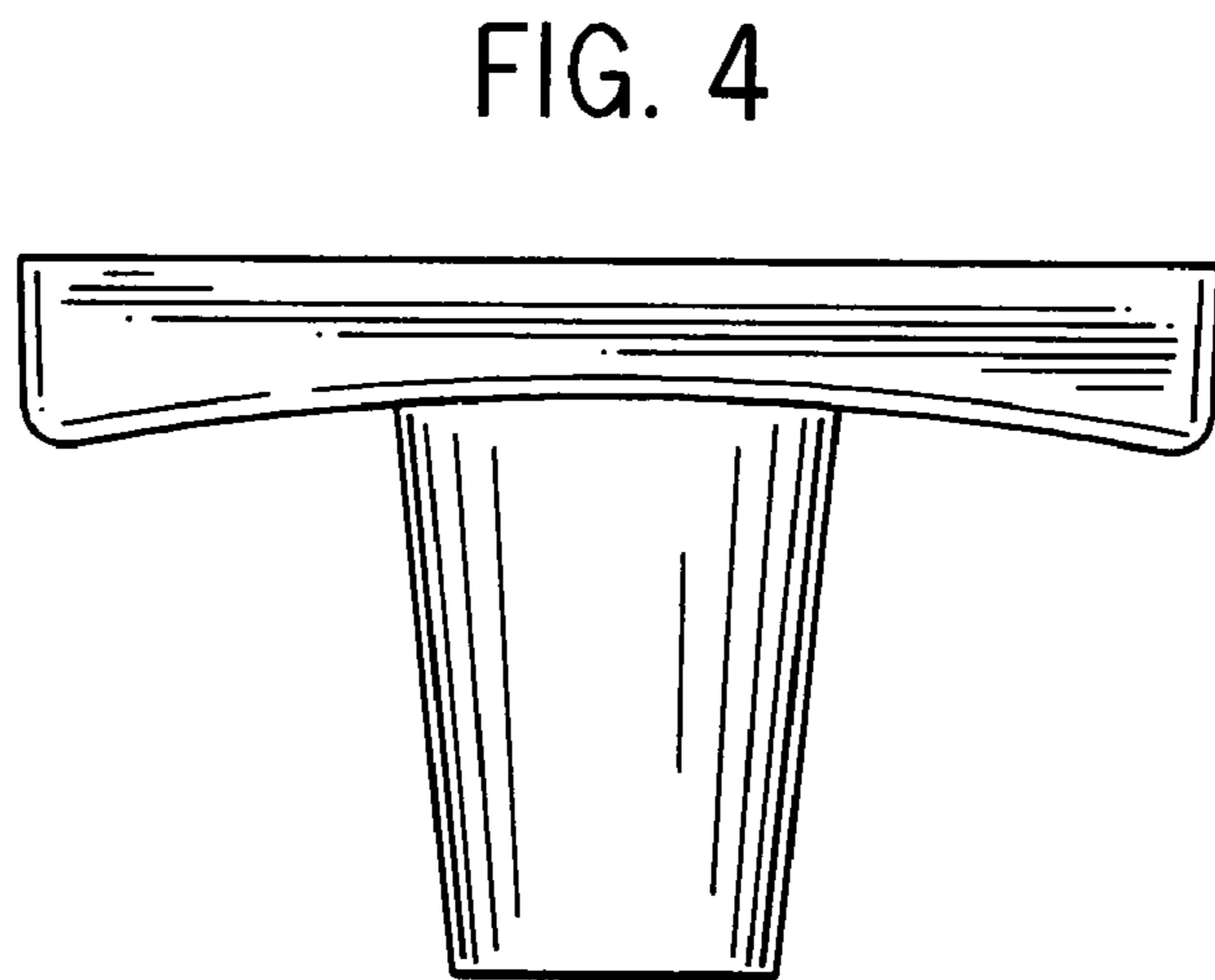
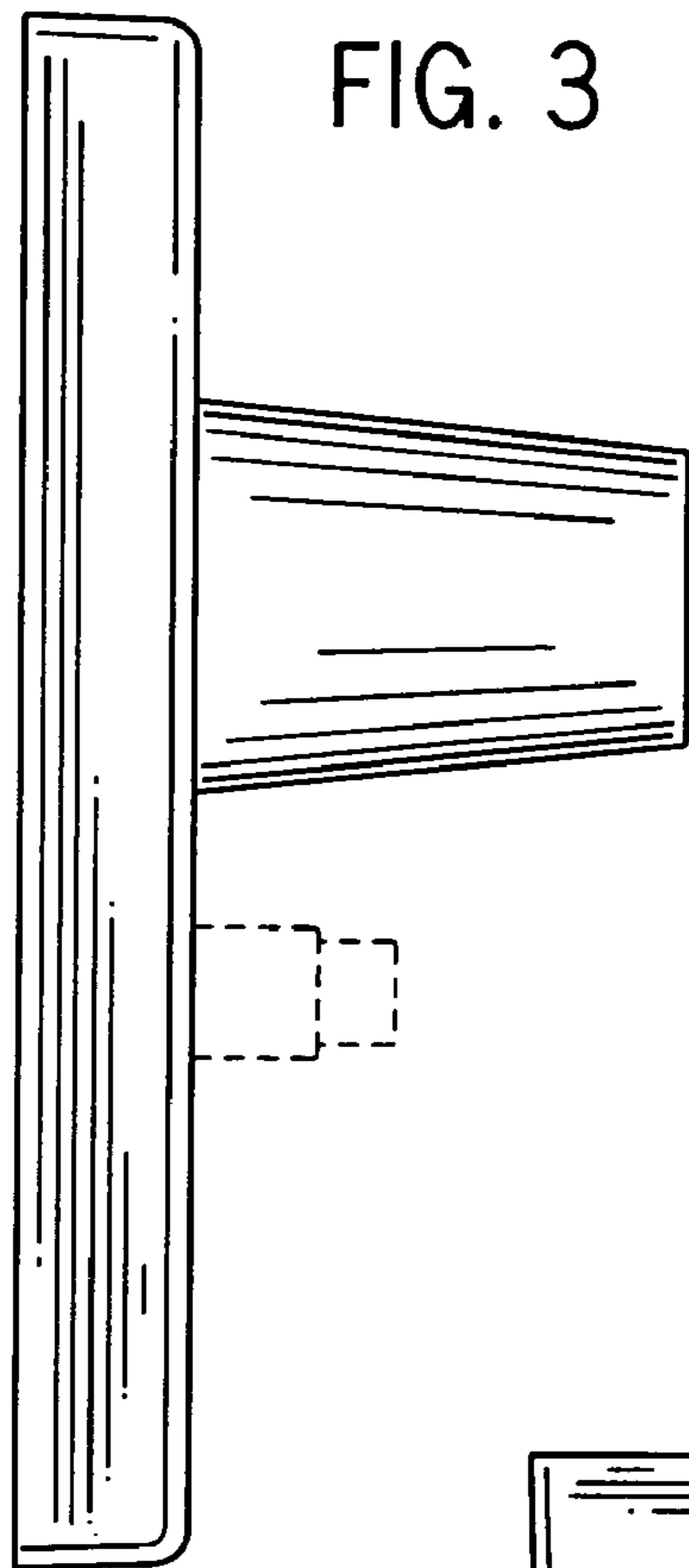


FIG. 2



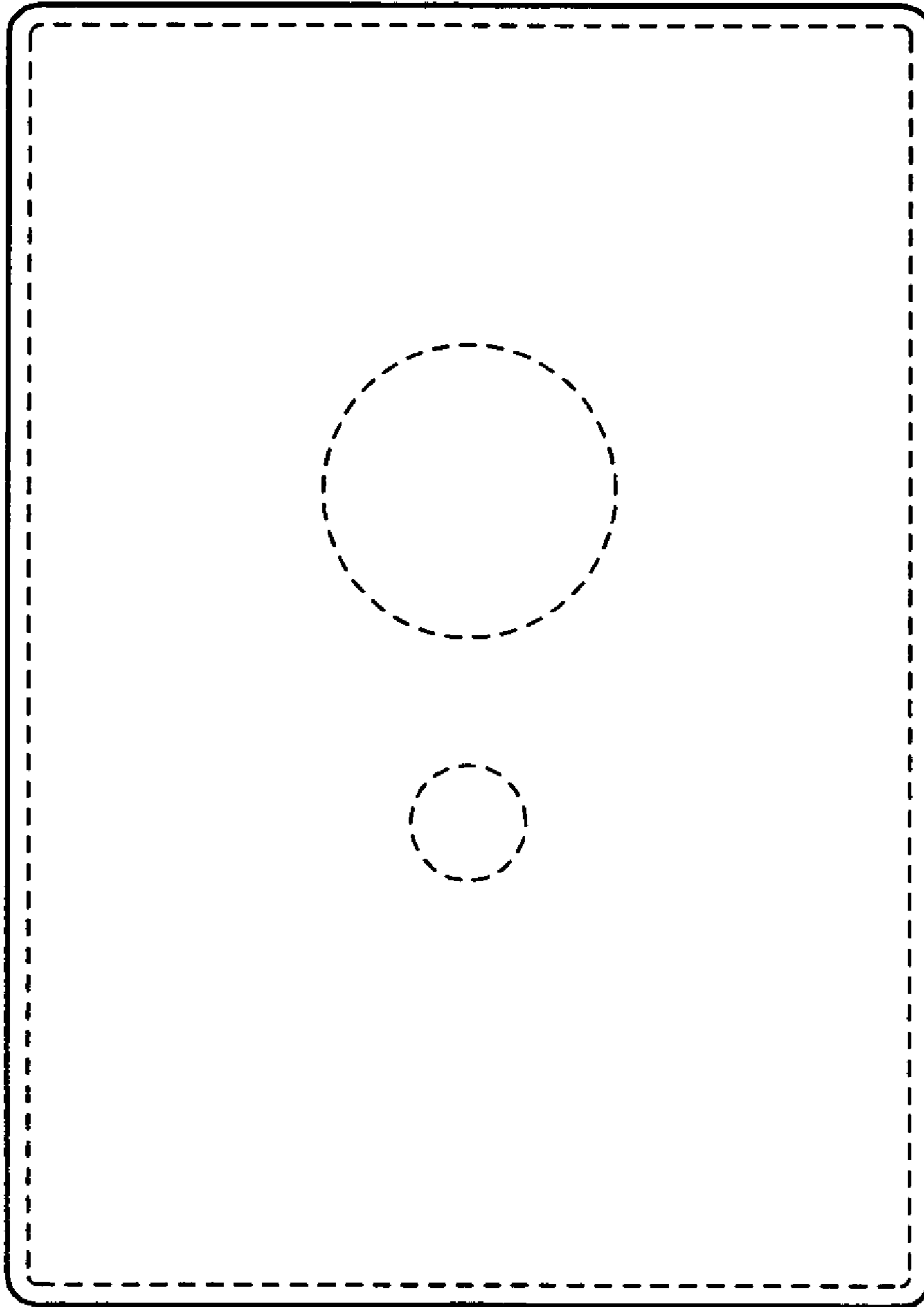


FIG. 6