

US00D570451S

(12) **United States Design Patent**  
**Dolan**

(10) **Patent No.:** **US D570,451 S**

(45) **Date of Patent:** **\*\* Jun. 3, 2008**

(54) **FAUCET**

D539,389 S \* 3/2007 Stein ..... D23/241

(76) **Inventor:** **Patrick S. Dolan**, 2700 NW. Front Ave., Portland, OR (US) 97210

(\*\*) **Term:** **14 Years**

(21) **Appl. No.:** **29/286,999**

(22) **Filed:** **May 25, 2007**

(51) **LOC (8) Cl.** ..... **23-01**

(52) **U.S. Cl.** ..... **D23/242**

(58) **Field of Classification Search** ..... D23/200,  
D23/238-257; D6/512, 546, 550; D8/300,  
D8/307-308, 310-312, 321; 4/675-678;  
137/801; 16/110.1, 441

See application file for complete search history.

(56) **References Cited**

**U.S. PATENT DOCUMENTS**

D279,213 S *	6/1985	Paul	.....	D23/242
D287,160 S *	12/1986	Rademacher	.....	D23/242
D290,159 S *	6/1987	Jans	.....	D23/242
D290,869 S *	7/1987	Paul	.....	D23/242
D297,755 S *	9/1988	Paul	.....	D23/242
D301,056 S *	5/1989	Paul	.....	D23/242
D303,565 S *	9/1989	Paul	.....	D23/242
D308,718 S *	6/1990	Strignano	.....	D23/242
D312,496 S *	11/1990	Strignano	.....	D23/242
D313,066 S *	12/1990	Strignano	.....	D23/242
D510,612 S *	10/2005	Lammel et al.	.....	D23/241
D533,639 S *	12/2006	Hoernig	.....	D23/242

**OTHER PUBLICATIONS**

As on website: www.faucetdirect.com, Model KWC 12-253.151. May 24, 2007.

As on website: www.fusionhardwaregroup.com, 'Sonoma' Collection May 24, 2007.

As on website: www.graff.faucets.com, Graff, Milwaukee, WI, Model: Manhattan: G 3300-C8.PC May 24, 2007.

As on website: www.faucetdirect.com, Model: Lacava 1410-CR May 25, 2007.

As on website: www.faucetdirect.com, May 24, 2007.

\* cited by examiner

*Primary Examiner*—Robert A. Delehanty

*Assistant Examiner*—Mark Cavanna

(57) **CLAIM**

The ornamental design for faucet, as shown and described.

**DESCRIPTION**

FIG. 1 is a perspective view of a faucet, showing my new design;

FIG. 2 is a front view thereof;

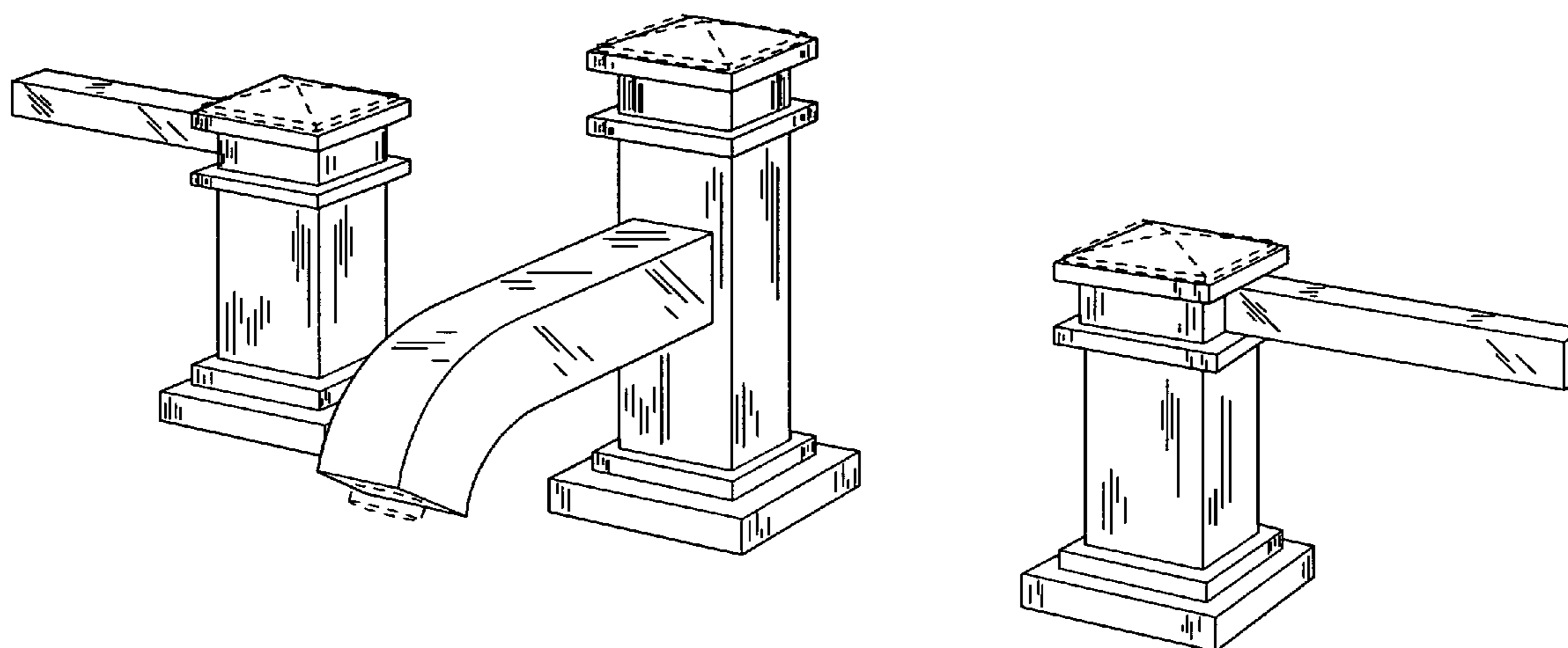
FIG. 3 is a right side view, the left side view being a mirror image thereof;

FIG. 4 is a back view thereof; and,

FIG. 5 is a top view thereof.

The broken lines shown are for illustrative purposes only and form no part of the claimed design.

**1 Claim, 5 Drawing Sheets**



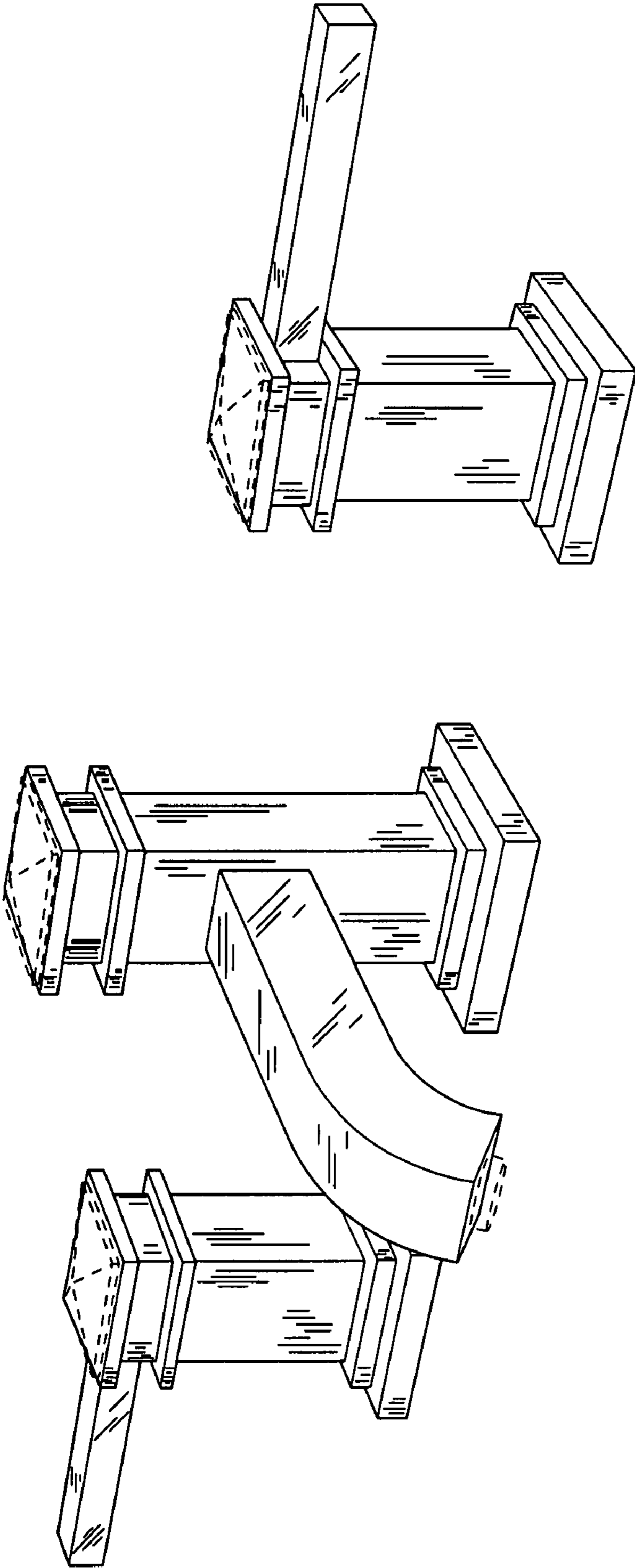


FIG. 1

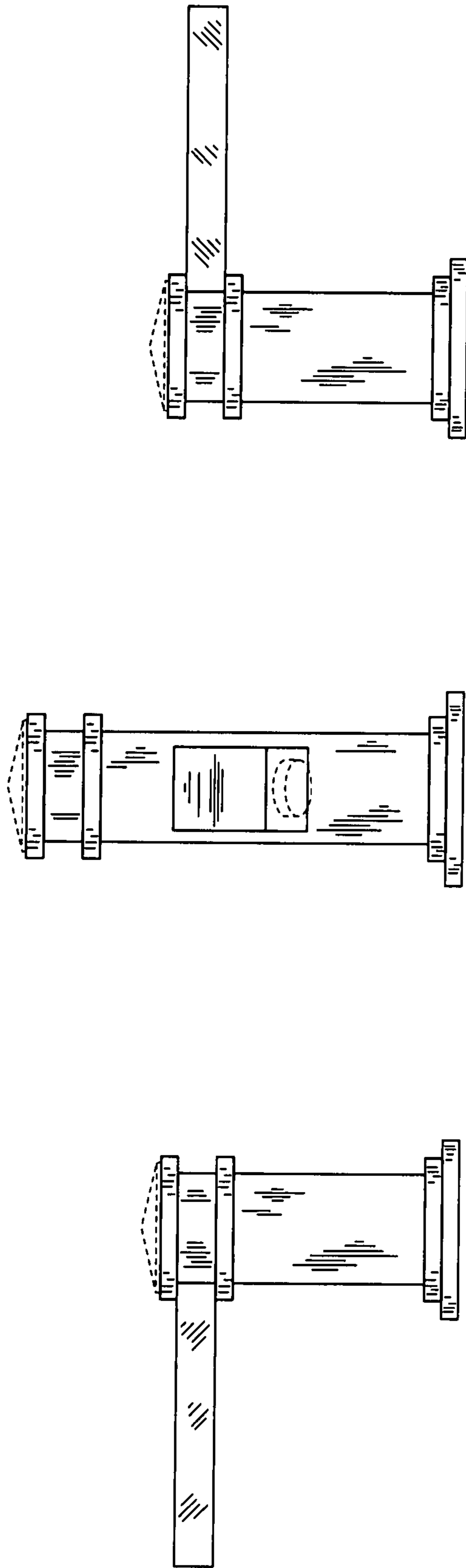


FIG. 2

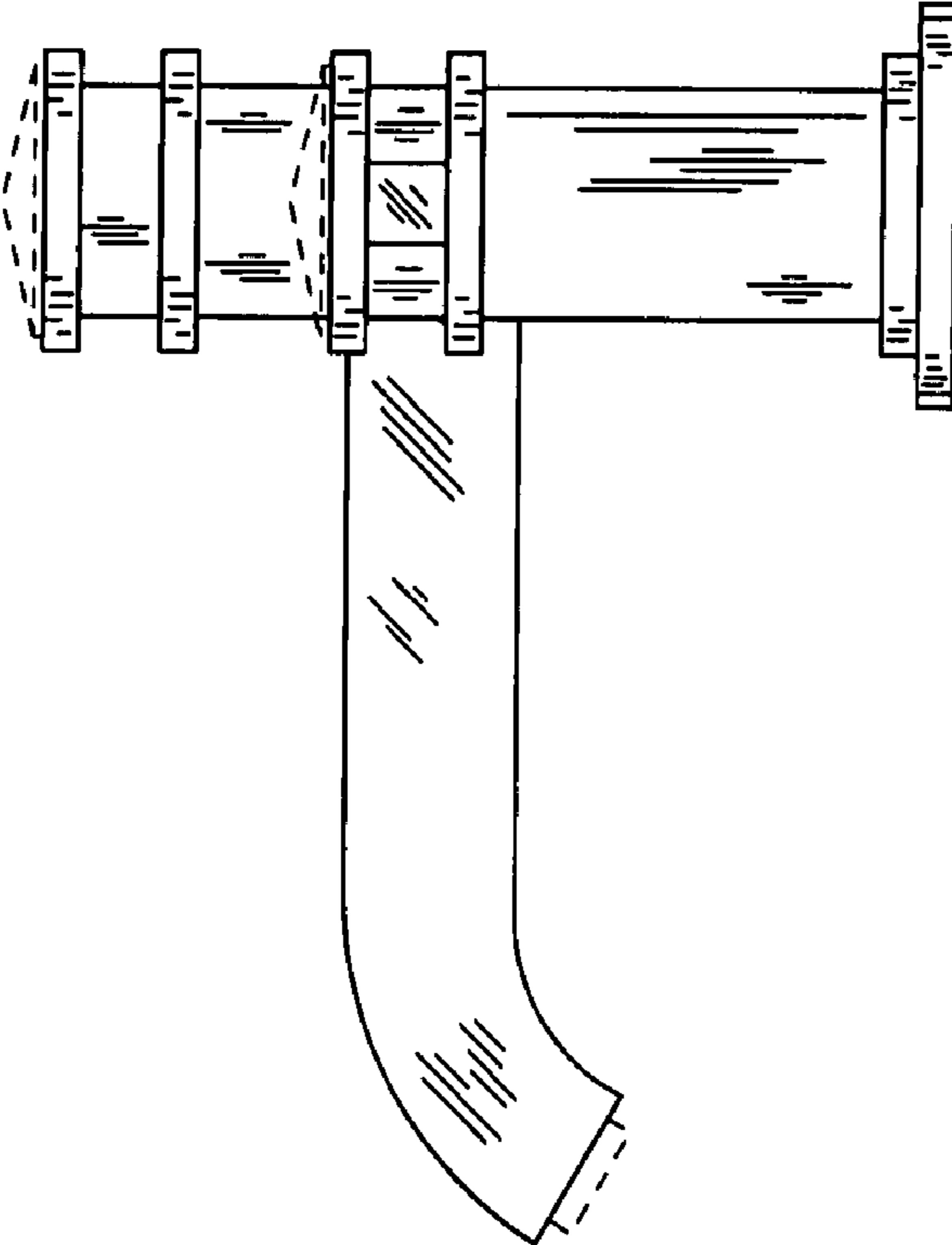
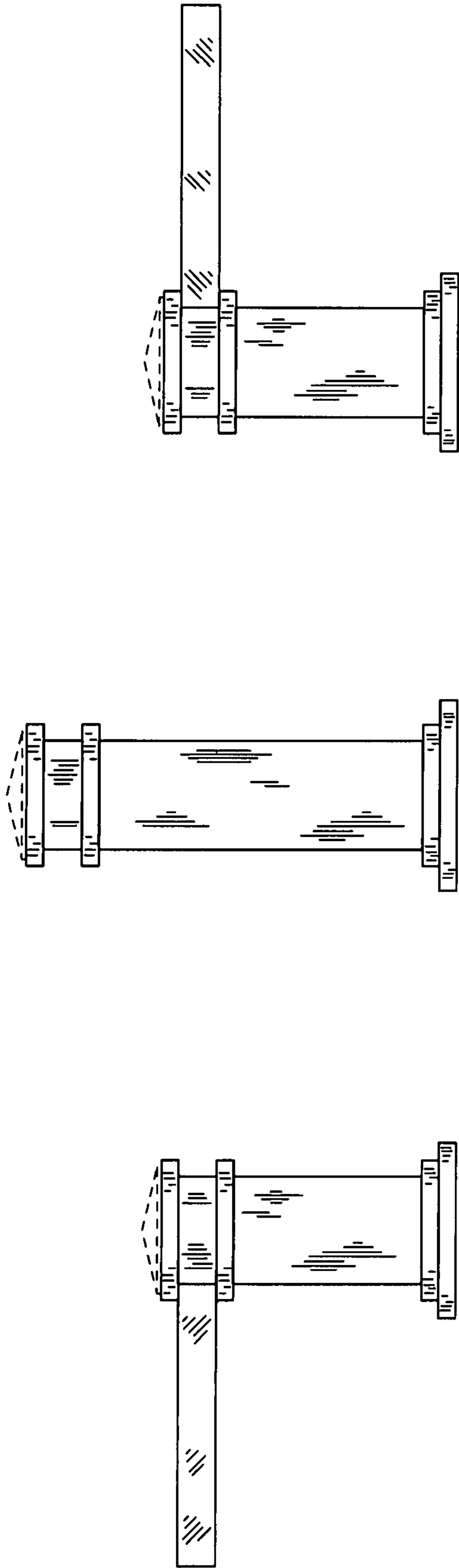


FIG. 3



**FIG. 4**

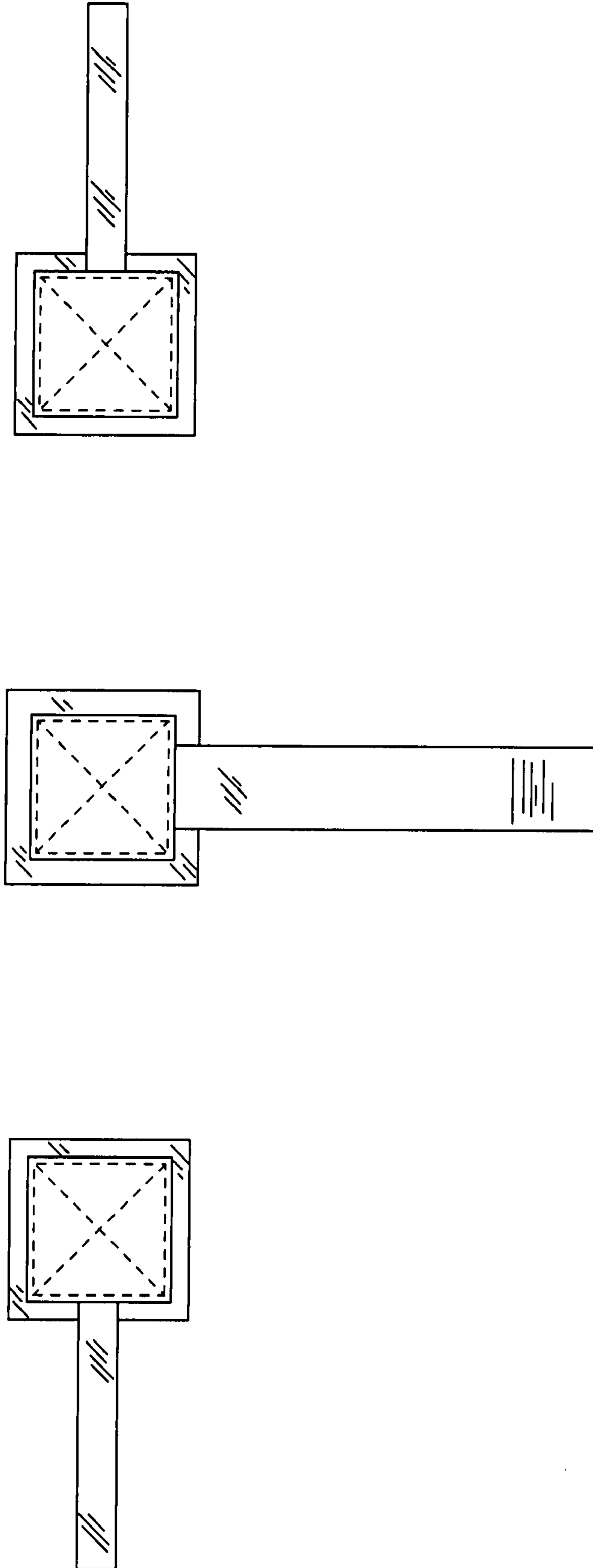


FIG. 5