

US00D570450S

(12) **United States Design Patent**
Dolan

(10) **Patent No.:** **US D570,450 S**
(45) **Date of Patent:** **** Jun. 3, 2008**

(54) **FAUCET**

(76) **Inventor:** **Patrick S. Dolan**, 2700 NW. Front Ave., Portland, OR (US) 97210

(**) **Term:** **14 Years**

(21) **Appl. No.:** **29/291,444**

(22) **Filed:** **Aug. 28, 2007**

(51) **LOC (8) Cl.** **23-01**

(52) **U.S. Cl.** **D23/241**

(58) **Field of Classification Search** D23/200,
D23/238-257; D6/512, 546, 550; D8/300,
D8/307-308, 310-312, 321; 4/675-678;
137/801; 16/110.1, 441

See application file for complete search history.

(56) **References Cited**

U.S. PATENT DOCUMENTS

D265,229 S *	6/1982	Paul	D23/242
D346,013 S	4/1994	McKeone		
D360,016 S *	7/1995	Hsieh	D23/241
D492,392 S *	6/2004	Pohl et al.	D23/242
D520,116 S *	5/2006	Koury et al.	D23/241
D520,607 S	5/2006	Koury		
D533,639 S *	12/2006	Hoernig	D23/242

OTHER PUBLICATIONS

U.S. Appl. No. 29/291,341, filed Aug. 23, 2007, Patrick S. Dolan.
U.S. Appl. No. 29/291,443, filed Aug. 28, 2007, Patrick S. Dolan.

As seen on website: www.homeportfolio.com Sonoma CIXX Series Oct. 27, 2006.

As seen on website: www.moen.com Moen, N. Olmstead, OH Model: S448 Oct. 17, 2006.

As seen on website: www.faucetdirect.com Danze Model D302044BNT May 24, 2007.

* cited by examiner

Primary Examiner—Robert A. Delehanty

Assistant Examiner—Mark Cavanna

(57) **CLAIM**

The ornamental design for faucet, as shown and described.

DESCRIPTION

FIG. 1 is a perspective view of a faucet, showing my new design;

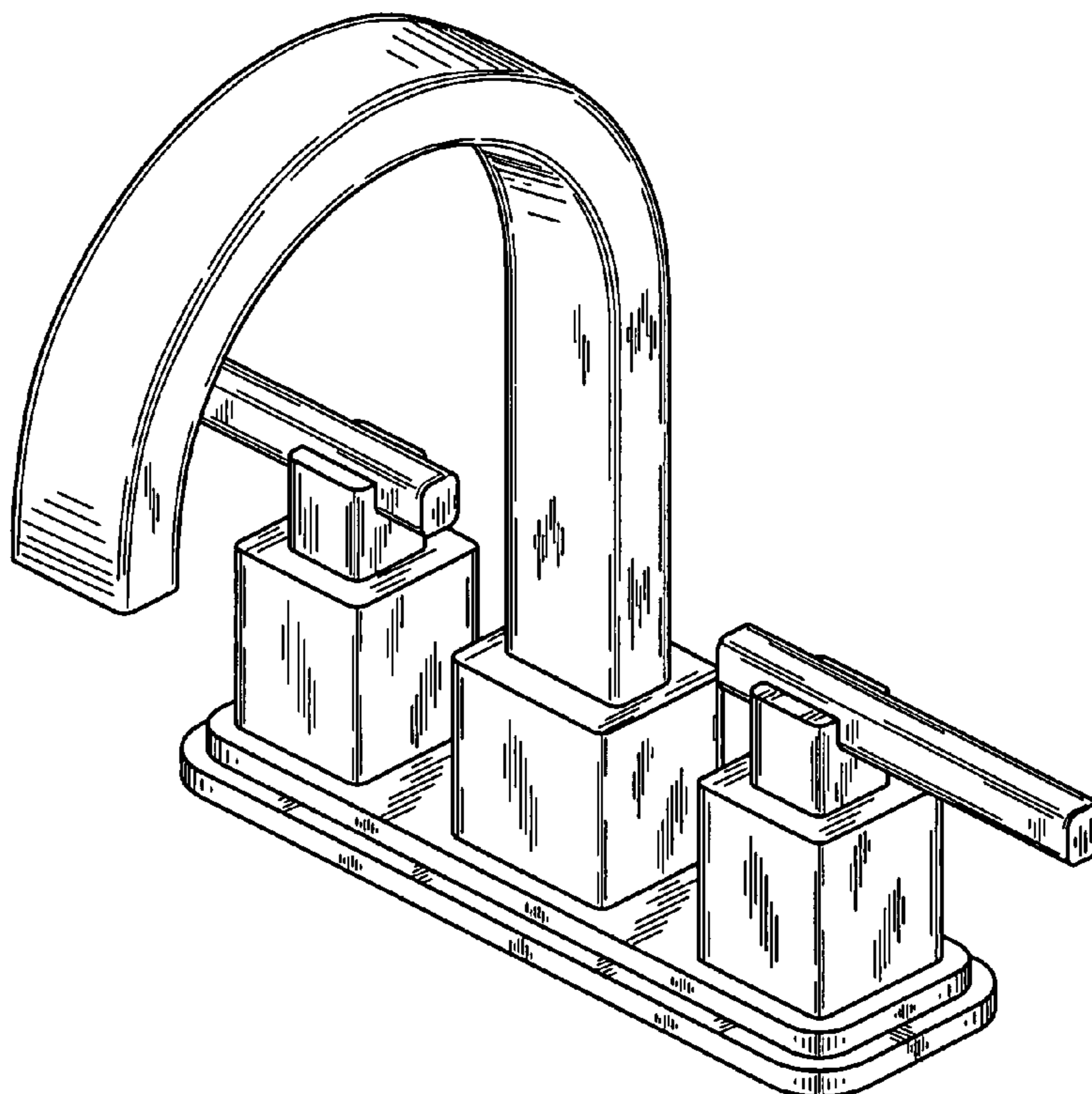
FIG. 2 is a front view thereof;

FIG. 3 is a right side view, the left side view being a mirror image thereof;

FIG. 4 is a back view thereof; and,

FIG. 5 is a top view thereof.

1 Claim, 5 Drawing Sheets



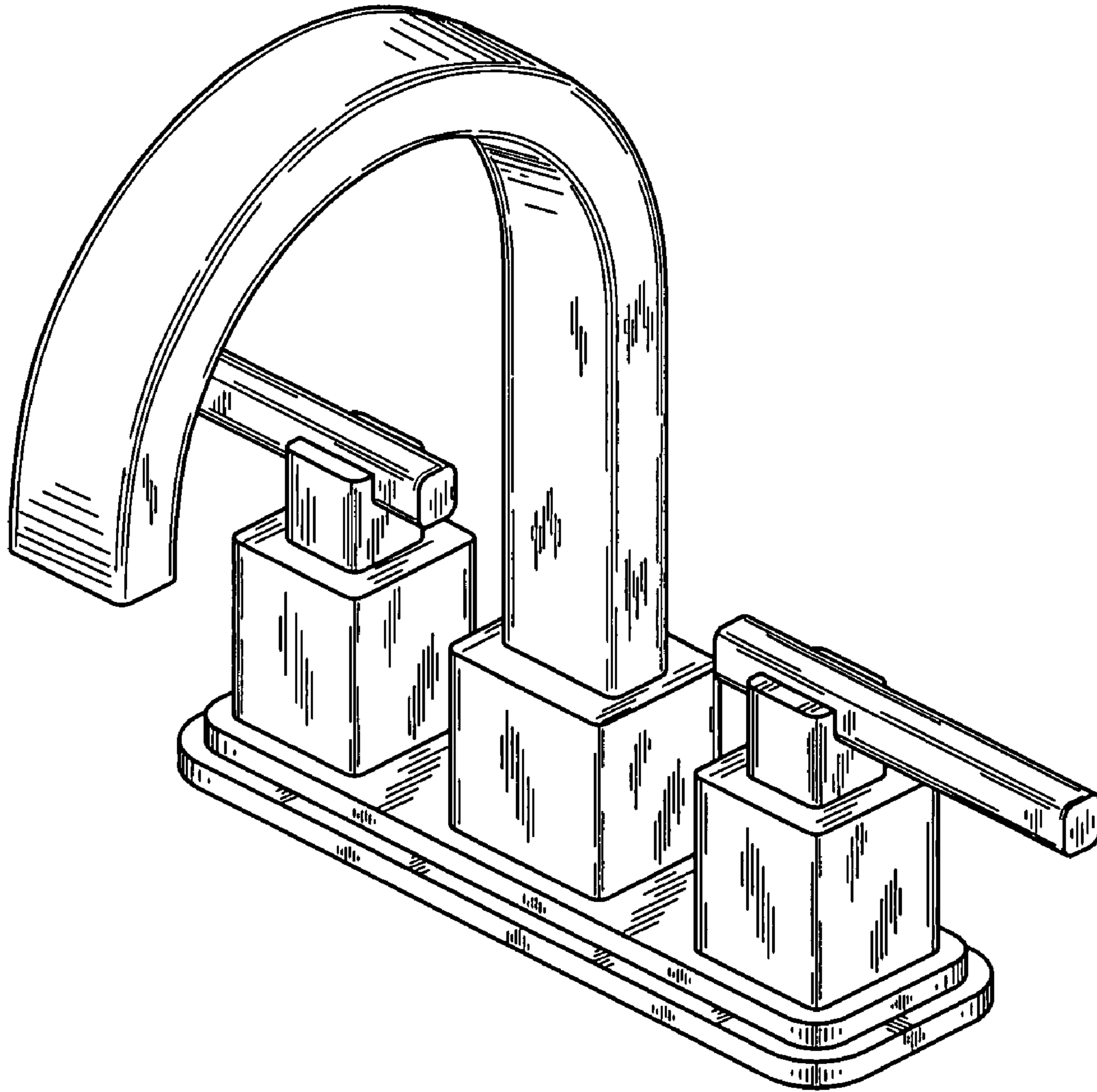


FIG. 1

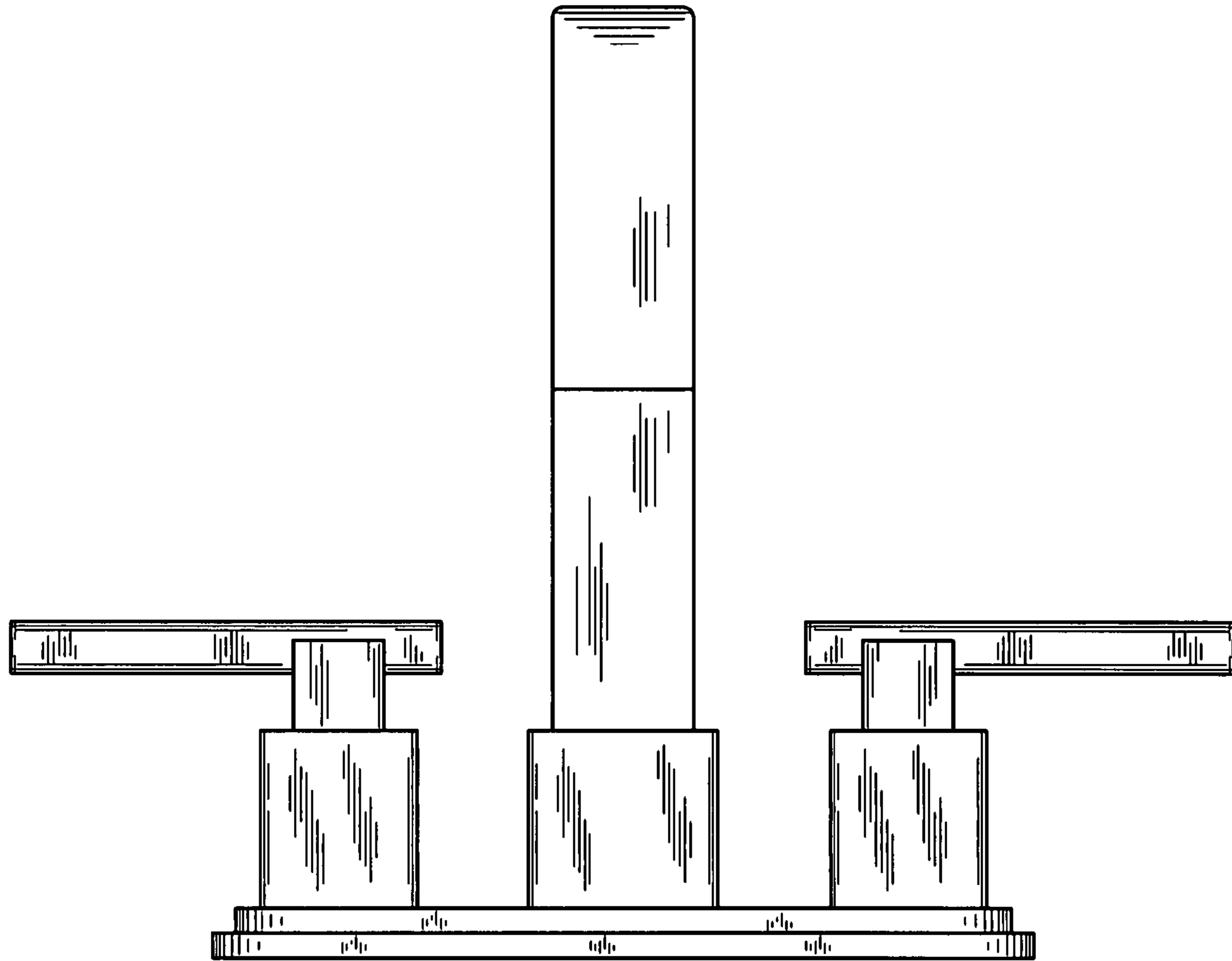


FIG. 2

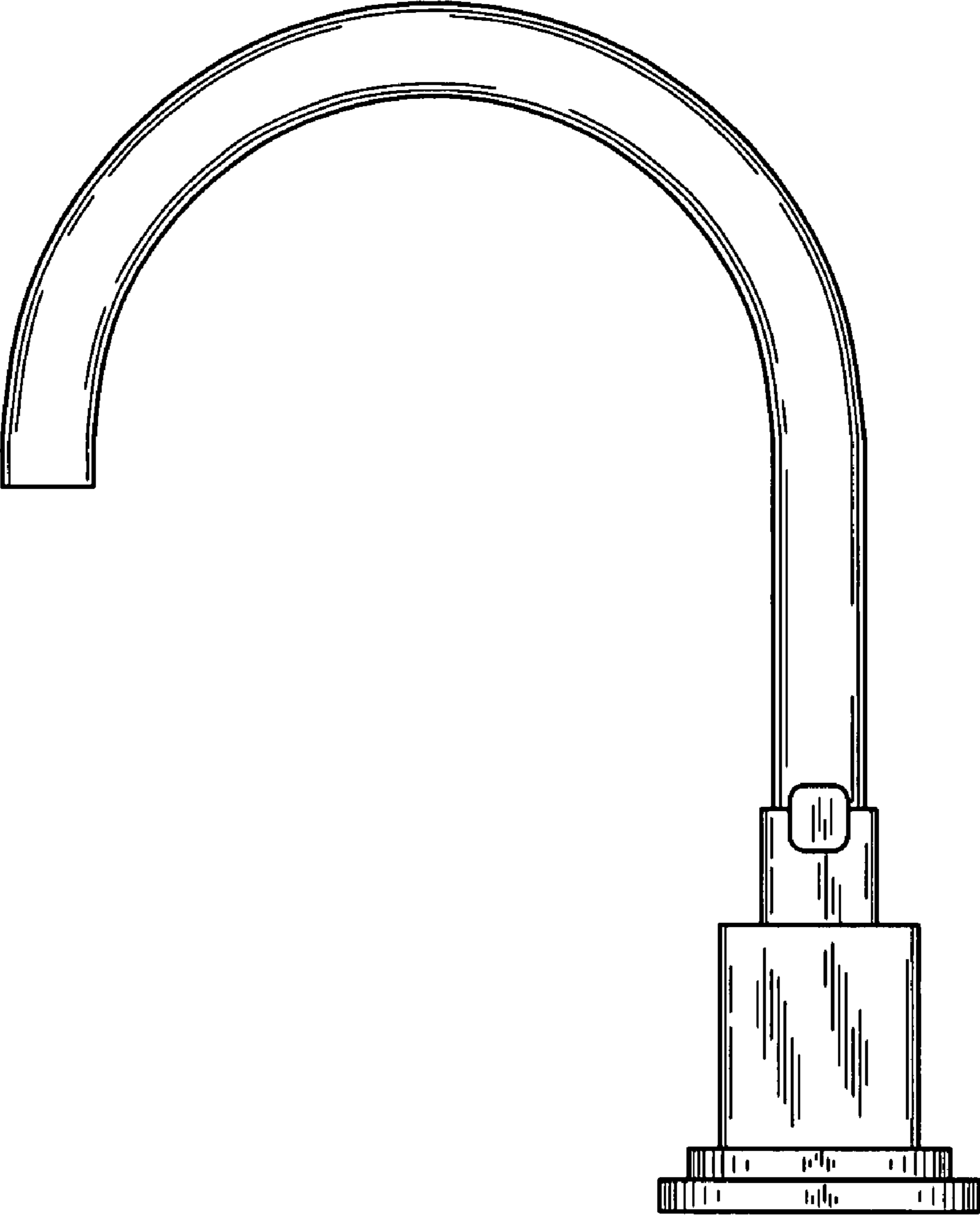


FIG. 3

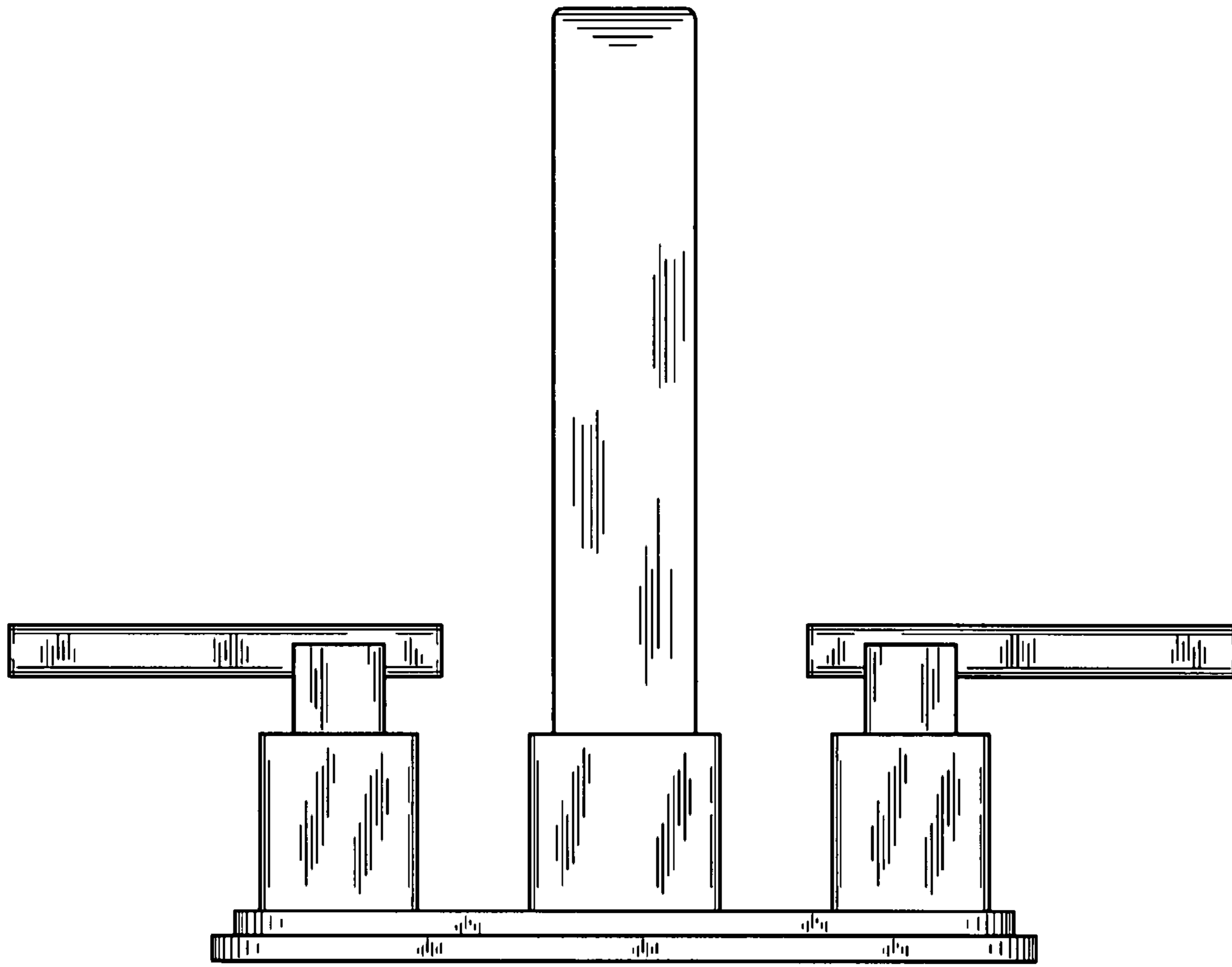


FIG. 4

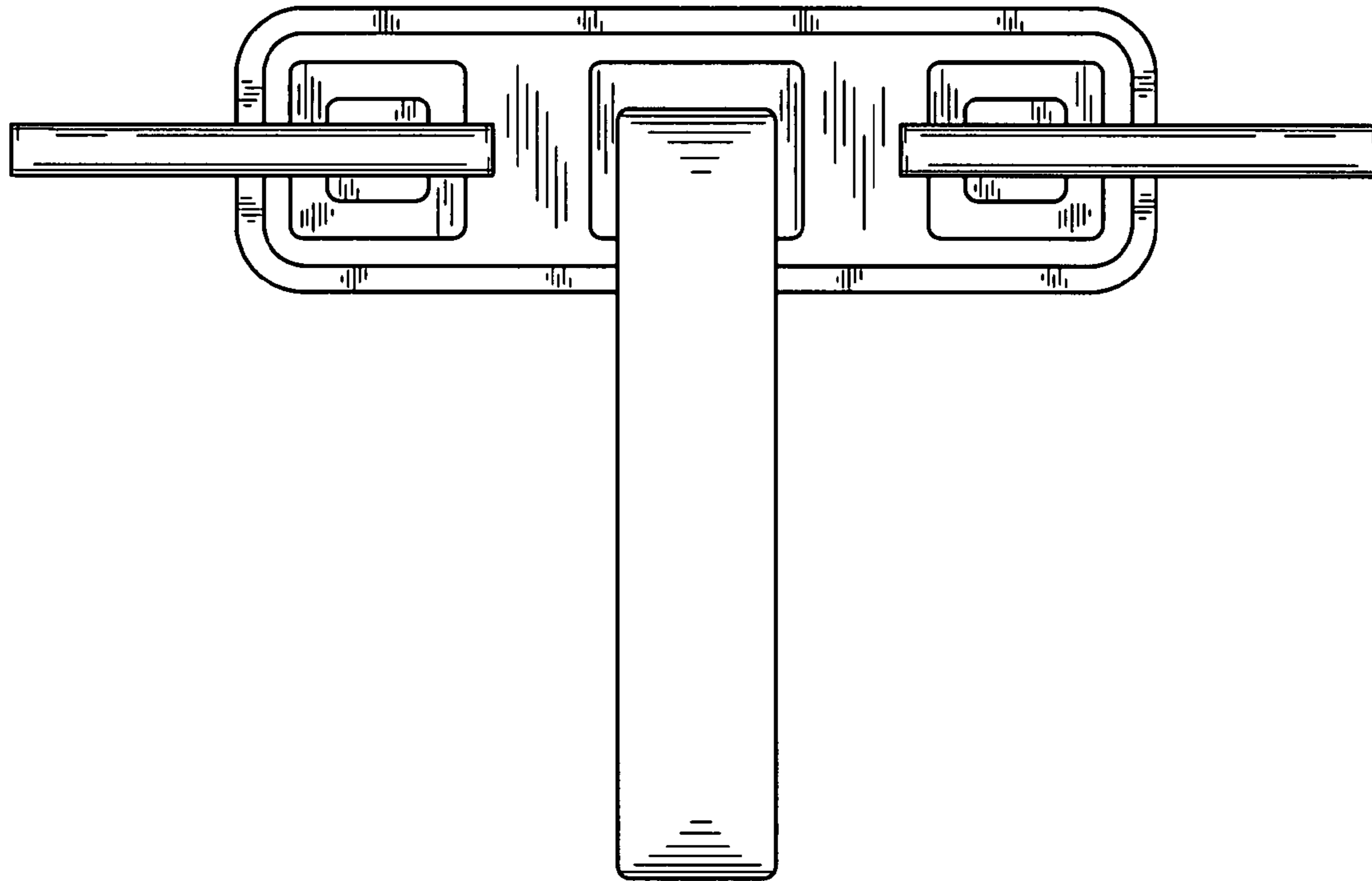


FIG. 5